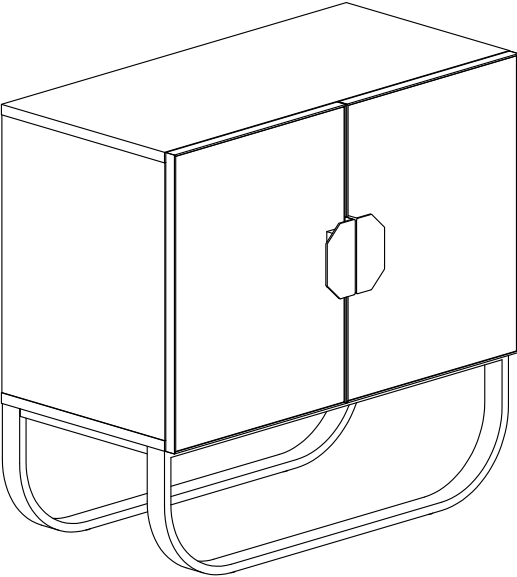
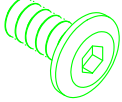
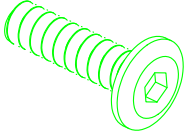
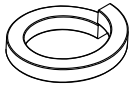
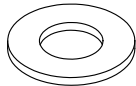
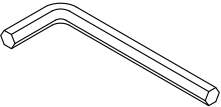
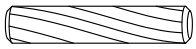


# Assembly Instruction

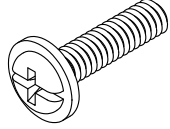
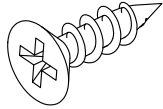
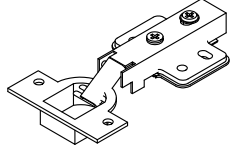
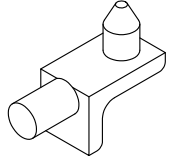
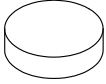

**TIPS: Before installation, please read the assembly instructions carefully.**



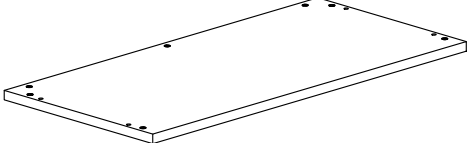
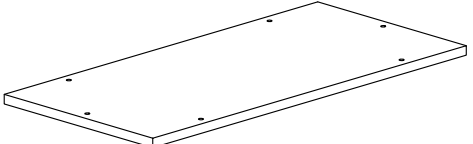
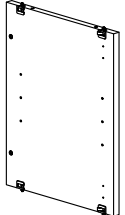
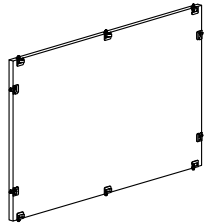
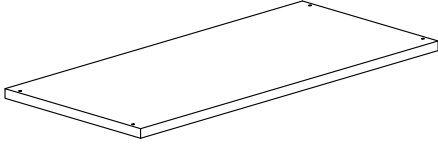
## HARDWARE LIST:

LABEL	PICTURE	DESCRIPTION	QTY
A		SCREW (M6*12)	8PCS
B		SCREW (M6*30)	6PCS
C		NUT (M6)	14PCS
D		WASHER (φ16-φ6*1.5)	14PCS
E		ALLEN KEY (φ4)	1PC
F		WOOD PLUG (φ8*40)	8PCS

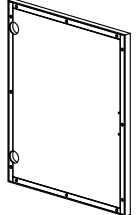
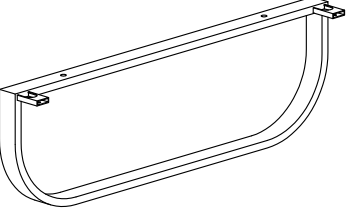
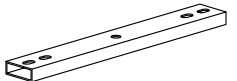

## HARDWARE LIST:

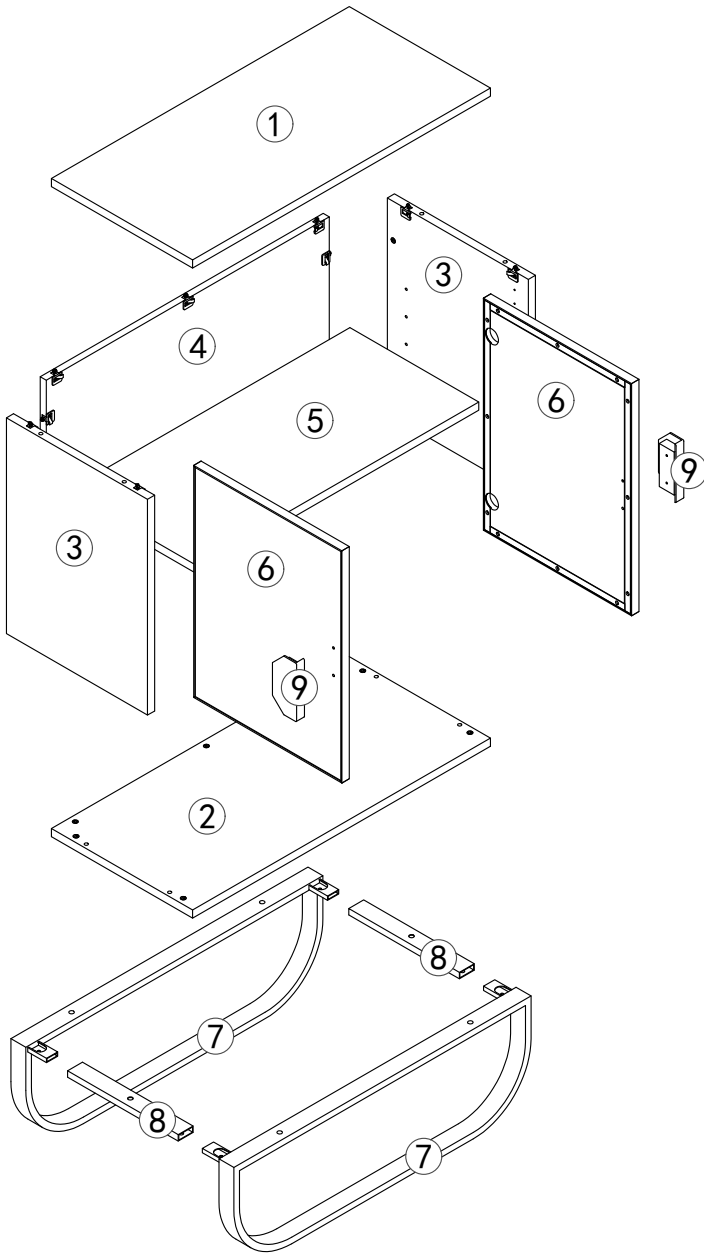
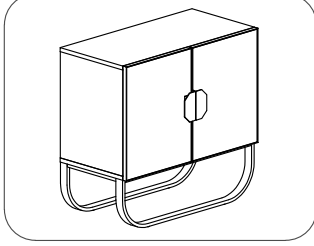
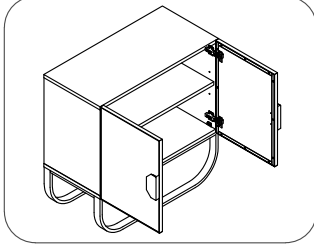
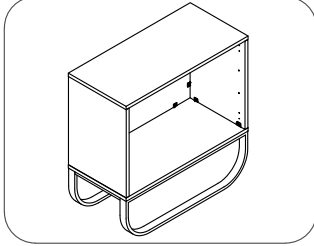
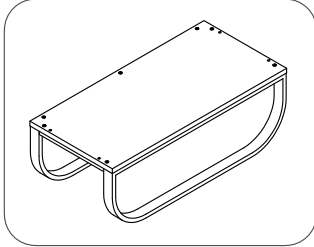
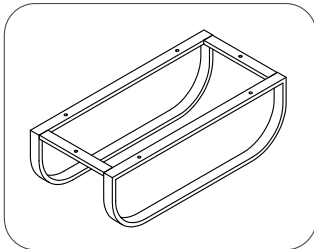
LABEL	PICTURE	DESCRIPTION	QTY
G		SCREW (M4*25)	4PCS
H		SCREW (M4*16)	24PCS
I		FULL OVERLAY HINGE (φ35)	4PCS
J		SHELF SUPPORT (21*16*9)	4PCS
K		DOOR BUMPER (φ10*2)	4PCS
L		TIPPING RESTRAIN	2PCS

### PART LIST:

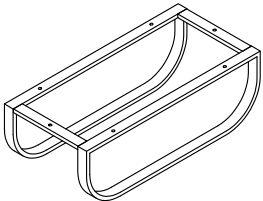
LABEL	PICTURE	DESCRIPTION	QTY
1		TOP PANEL	1PC
2		BOTTOM PANEL	1PC
3		SIDE PANEL	2PCS
4		BACK PANEL	1PC
5		ADJUSTABLE SHELF	1PC

### PART LIST:

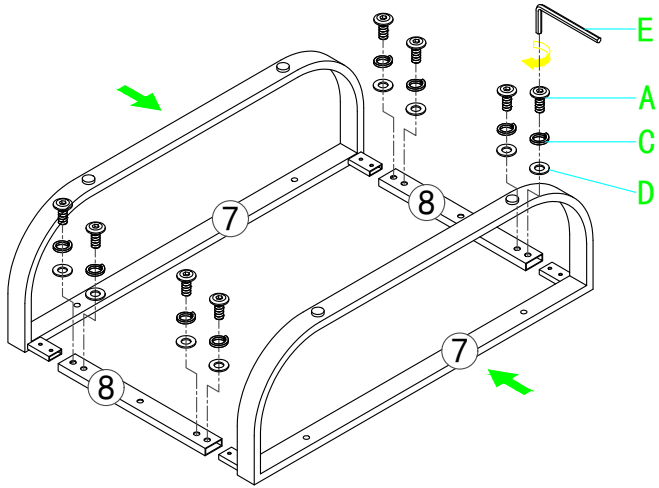
LABEL	PICTURE	DESCRIPTION	QTY
6		DOOR	2PCS
7		SIDE FRAME	2PCS
8		CONNECTING BAR	2PCS
9		HADDLE	2PCS



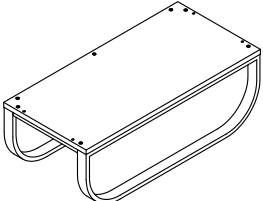
STEP 1



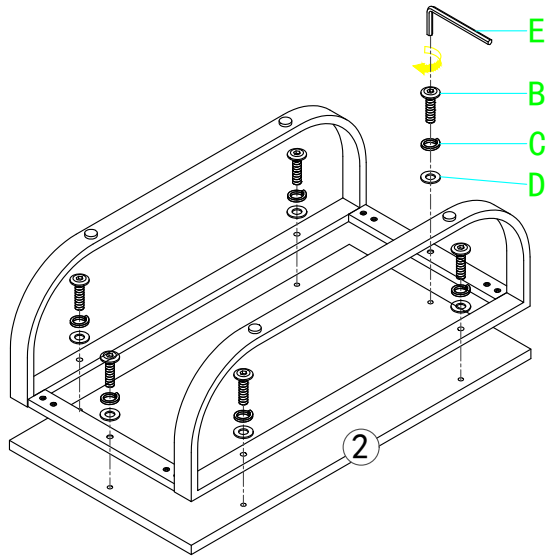
LABEL	PICTURE	QTY
A		8PCS
C		8PCS
D		8PCS
E		1PC




STEP 2

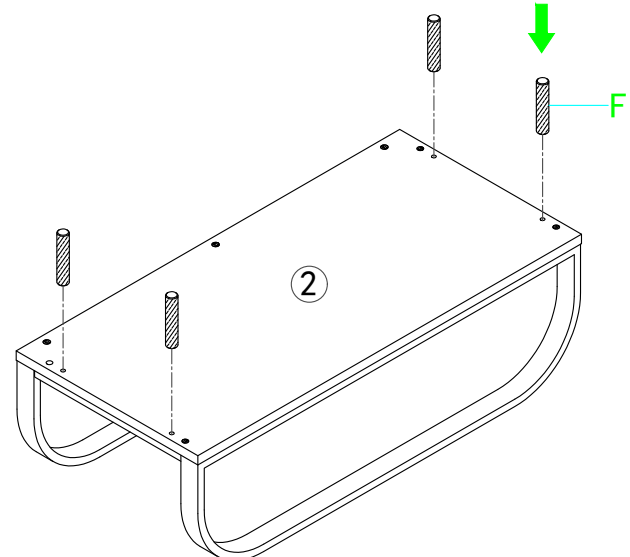
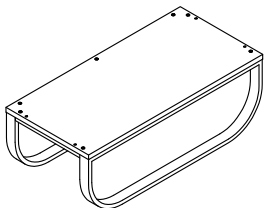


LABEL	PICTURE	QTY
B		6PCS
C		6PCS
D		6PCS
E		1PC

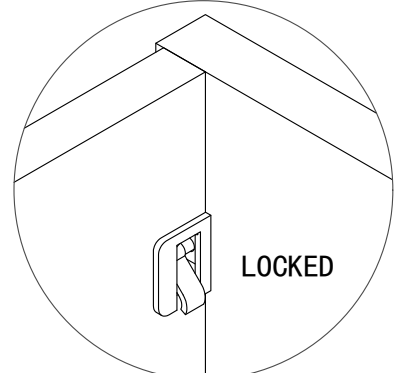
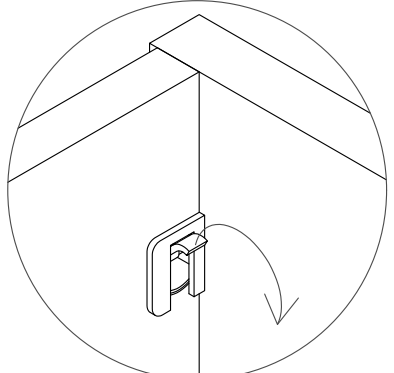
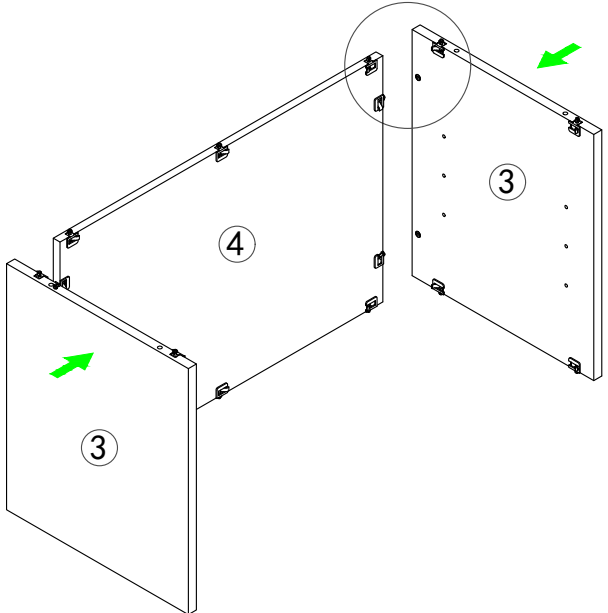
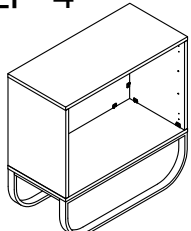


STEP 3

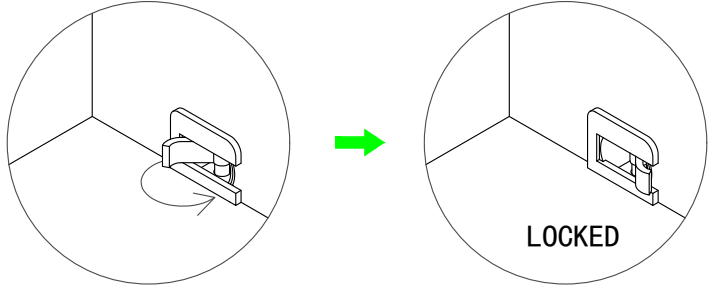
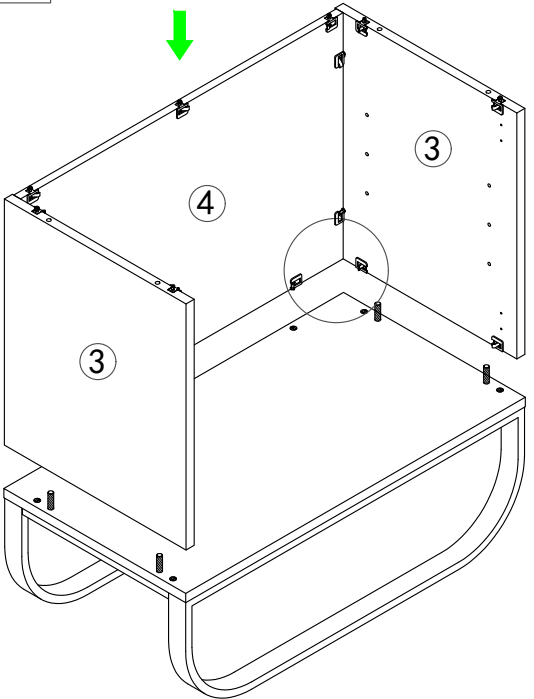
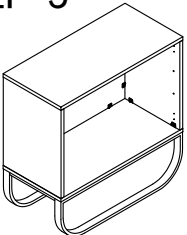
LABEL	PICTURE	QTY
F		4PCS



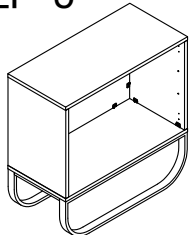
STEP 4



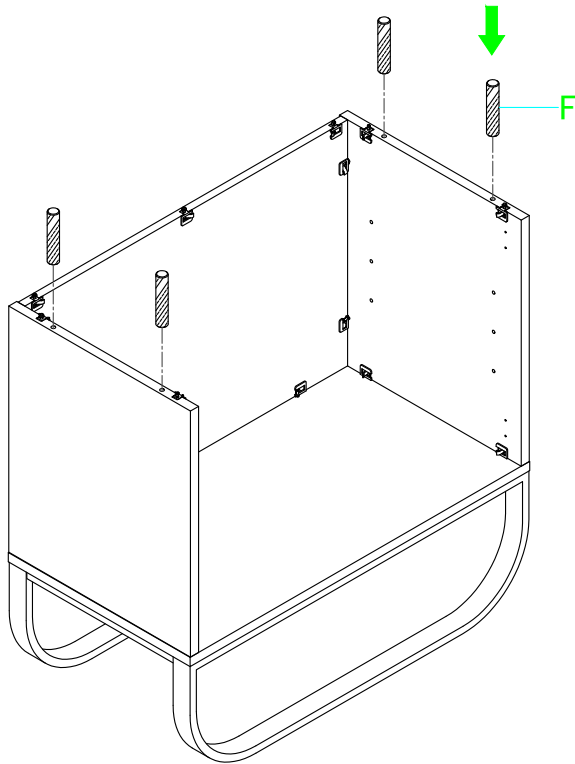
STEP 5



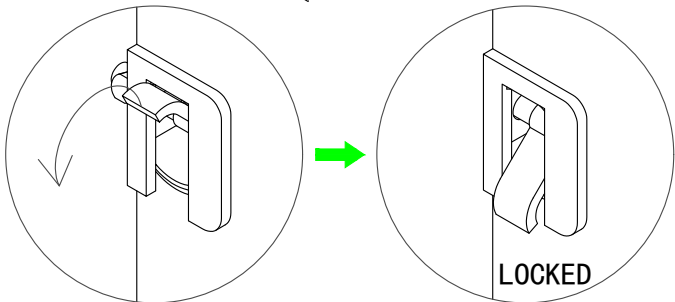
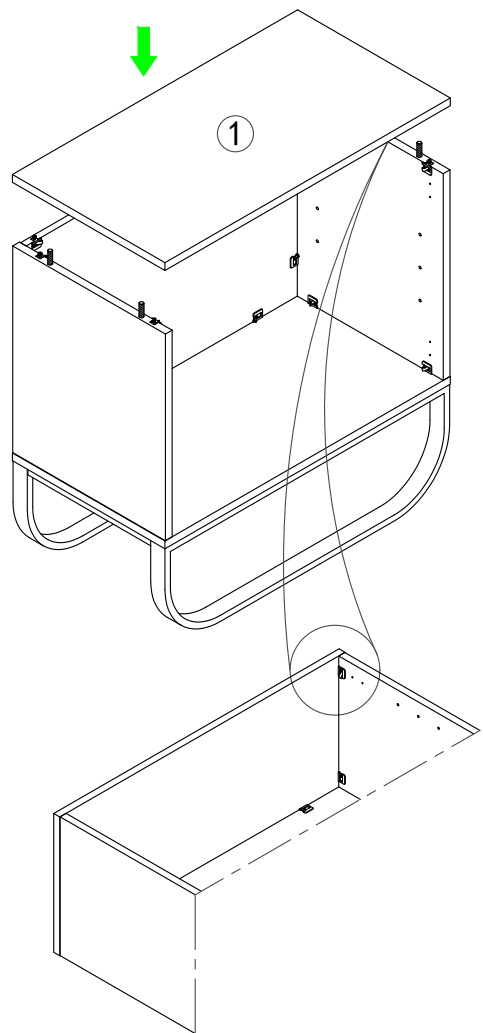
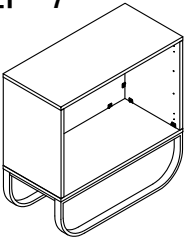
STEP 6



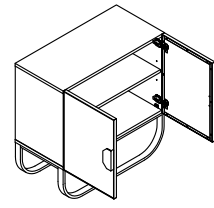
LABEL	PICTURE	QTY
F		4PCS




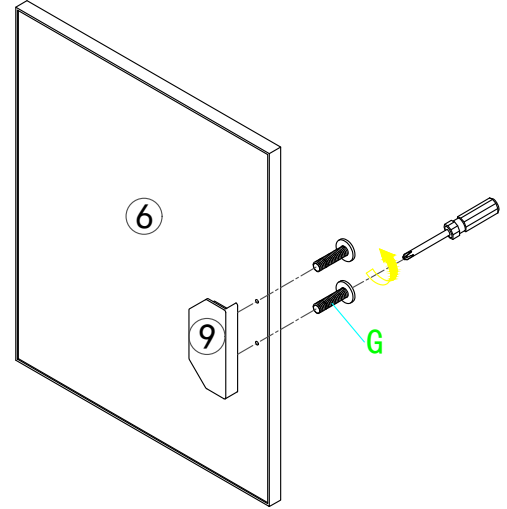
STEP 7



STEP 8

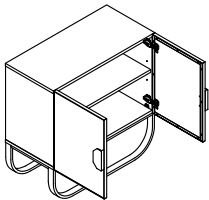


LABEL	PICTURE	QTY
G		4PCS

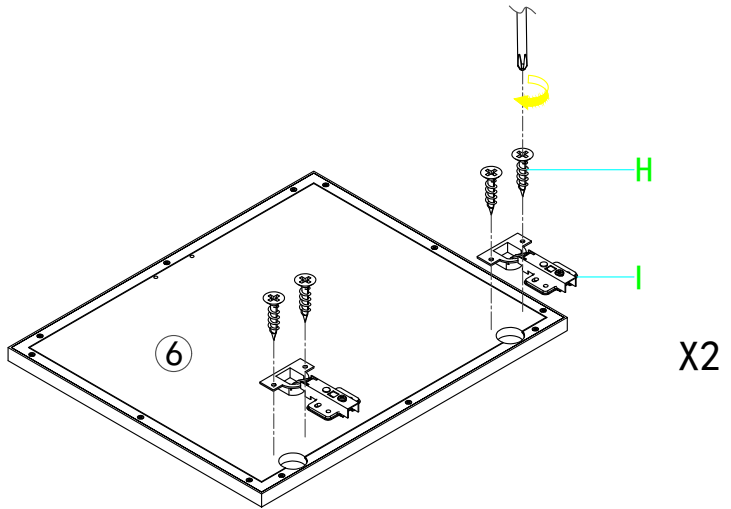


X2

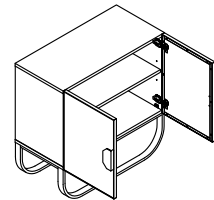
STEP 9



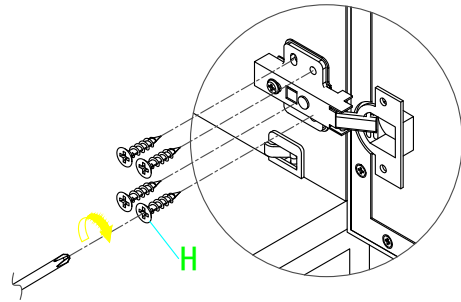
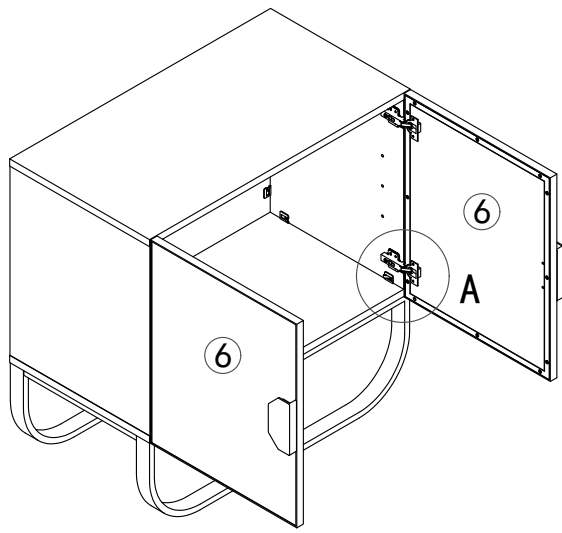
LABEL	PICTURE	QTY
H		8PCS
I		4PCS



STEP 10

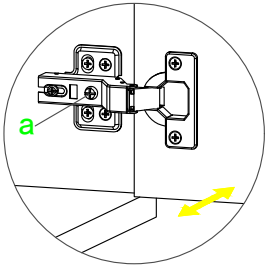


LABEL	PICTURE	QTY
H		16PCS

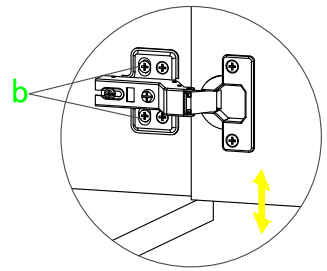


DETAIL A

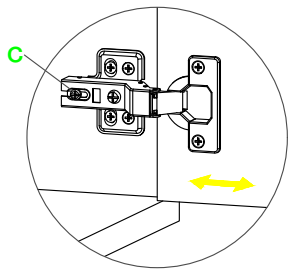
DOOR FITTING



To adjust in width

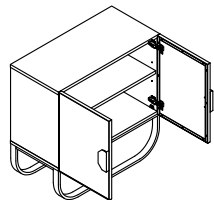


To adjust in height

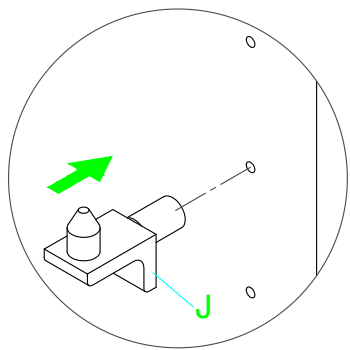
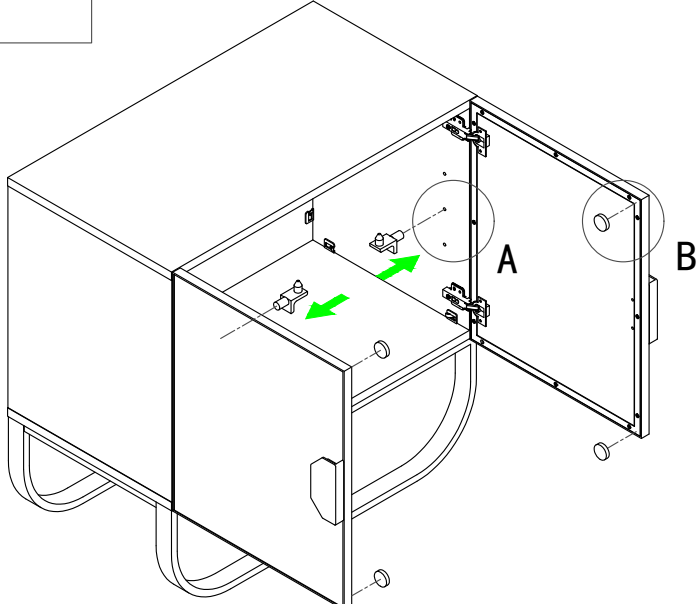


To adjust in depth

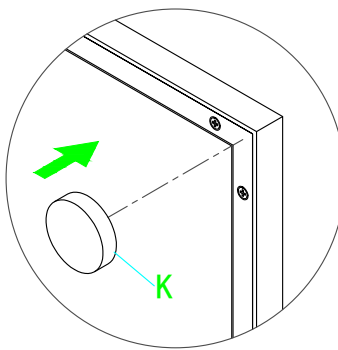
STEP 11



LABEL	PICTURE	QTY
J		4PCS
K		4PCS

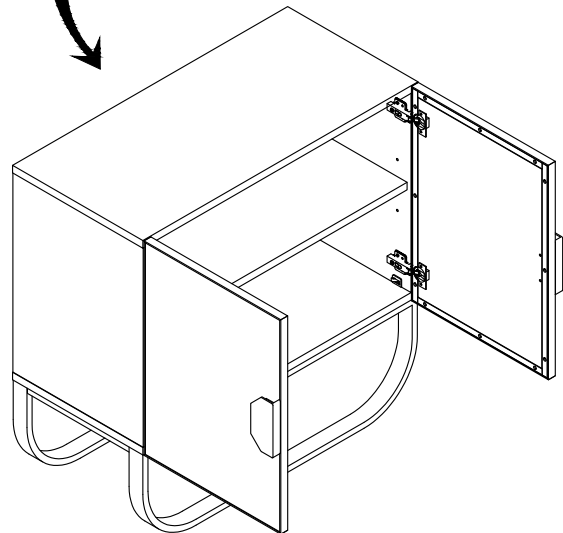
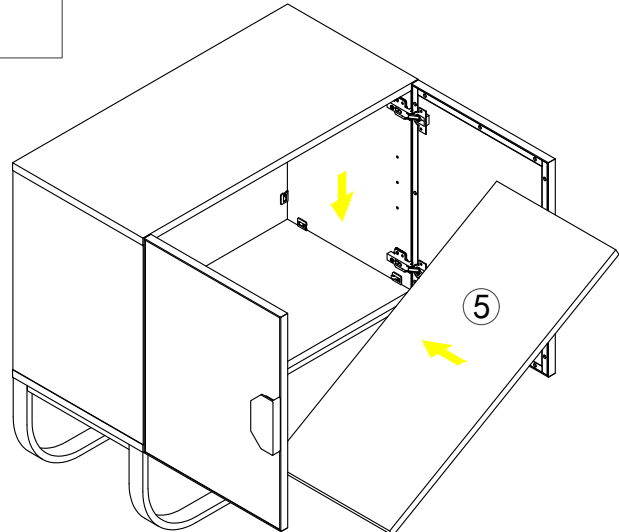
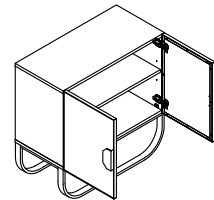


DETAIL A

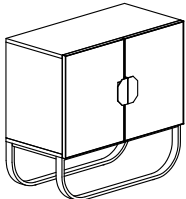


DETAIL B

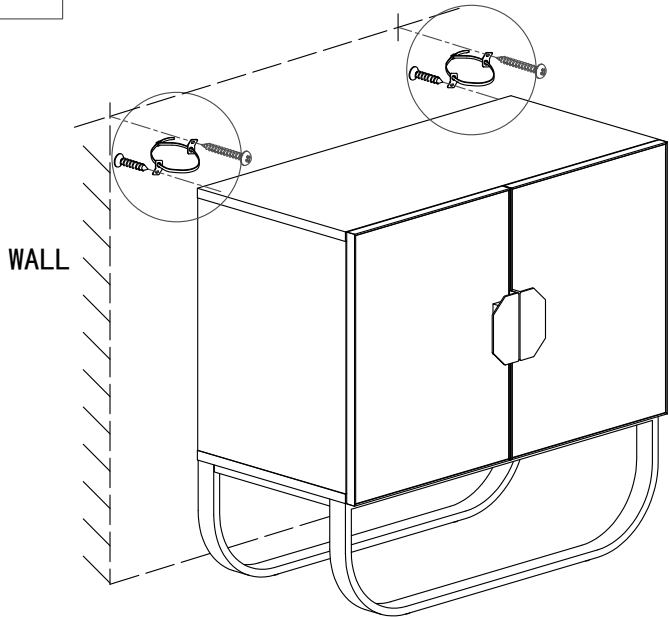
STEP 12



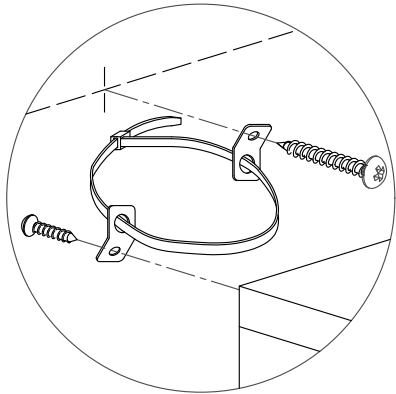
STEP 13



LABEL	PICTURE	QTY
L		2PCS

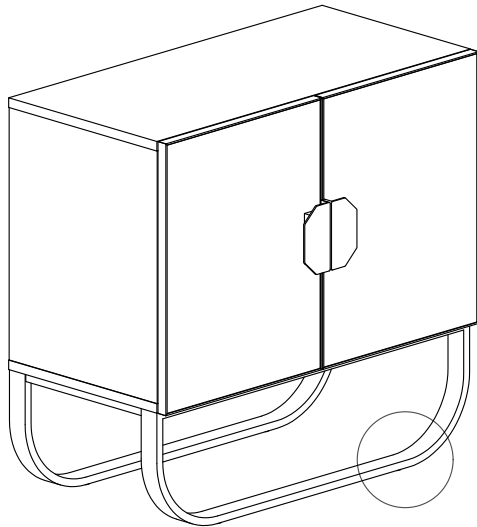
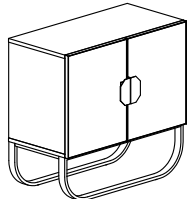


WALL

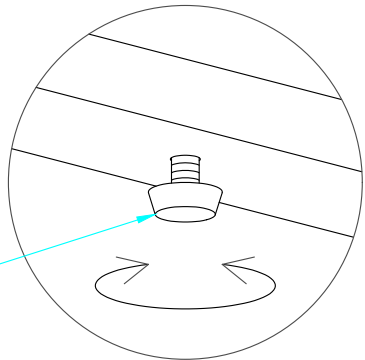


ANTI-TIP KIT INSTALLATION

STEP 14



ADJUSTABLE LEVELERS



To ensure the unit is level on the floor, please use the adjustable leveler on the bottom of each leg.