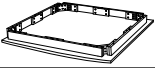



ASSEMBLY INSTRUCTIONS

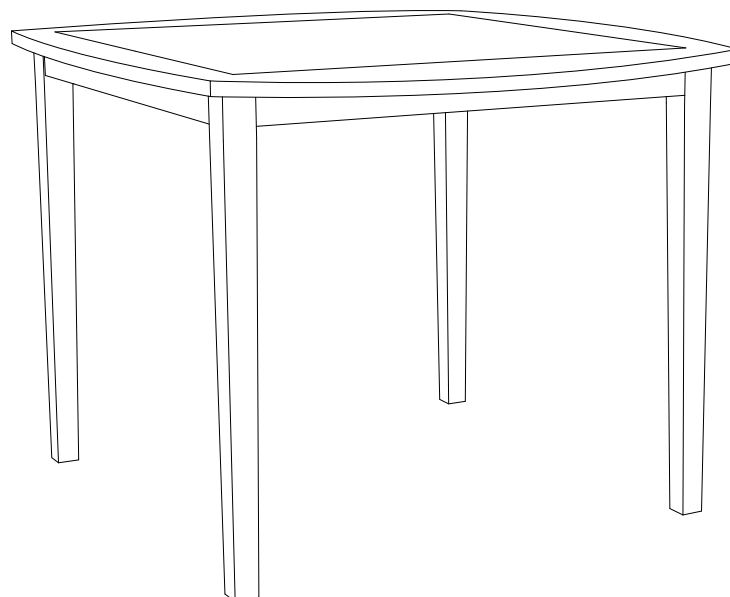
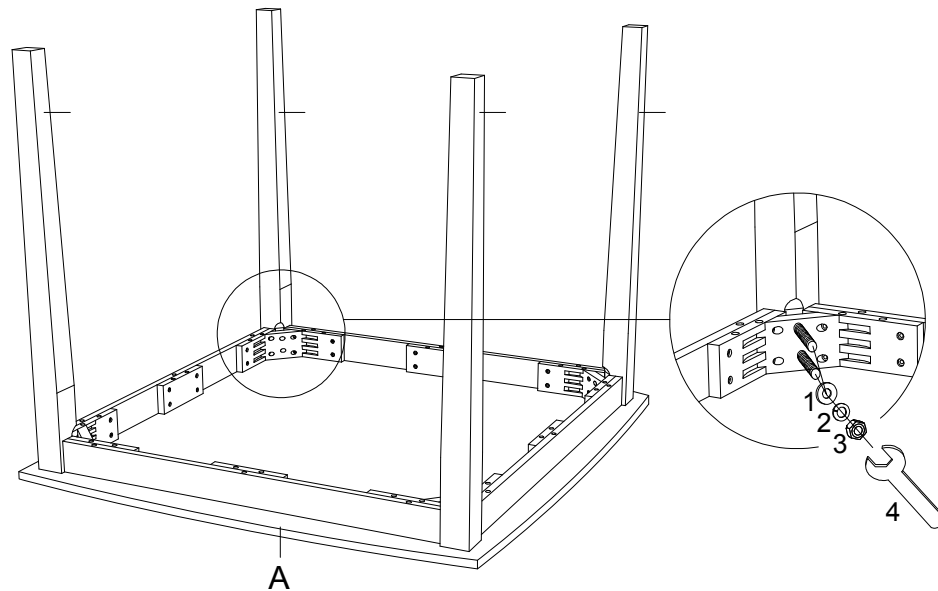
COUNTER TABLE

Thank you for purchasing this quality product. Be sure to check all packing material carefully for small parts, which may have come loose inside the carton during shipment. Identify and count all parts and compare with the HARDWARE LIST below.

NO.	PARTS LIST	Q'TY
A	 Table Top	1
B	 Table Legs	4

NO.	HARDWARE LIST	Q'TY
1	 Ø5/16" FLAT WASHER	8
2	 Ø5/16" SPRING WASHER	8
3	 Ø5/16" NUT	8
4	 Ø5/16" OPEN WRENCH	1

STEP 1


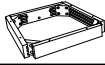












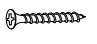
Assembly completed

ASSEMBLY INSTRUCTIONS

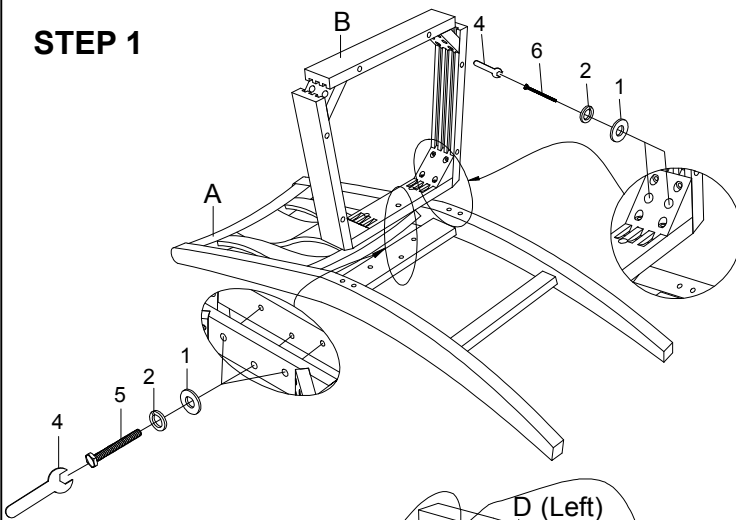
COUNTER CHAIR

Thank you for purchasing this quality product. Be sure to check all packing material carefully for small parts, which may have come loose inside the carton during shipment. Identify and count all parts and compare with the **HARDWARE LIST** below.

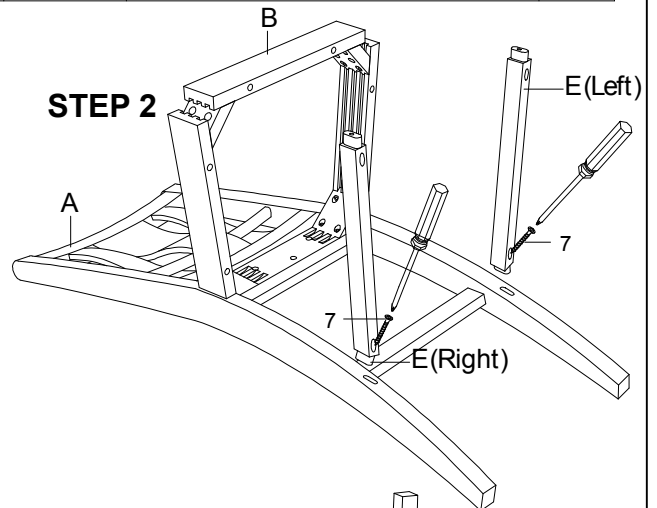
NO.	PARTS LIST		Q'TY
A		Chair Back	1
B		Seat Frame	1
C		Cushion Seat	1
D		Front Legs	2
E		Side Stretchers	2
F		Front Stretcher	1

NO.	HARDWARE LIST		Q'TY
1		Ø5/16" FLAT WASHER	11
2		Ø5/16" SPRING WASHER	11
3		Ø5/16" NUT	4
4		Ø5/16" OPEN WRENCH	1
5		Ø1/4 x 1 3/4" SHORT BOLT	3
6		Ø1/4 x 3" LONG BOLT	4
7		Ø5/32 x 1 1/2" SCREW	12

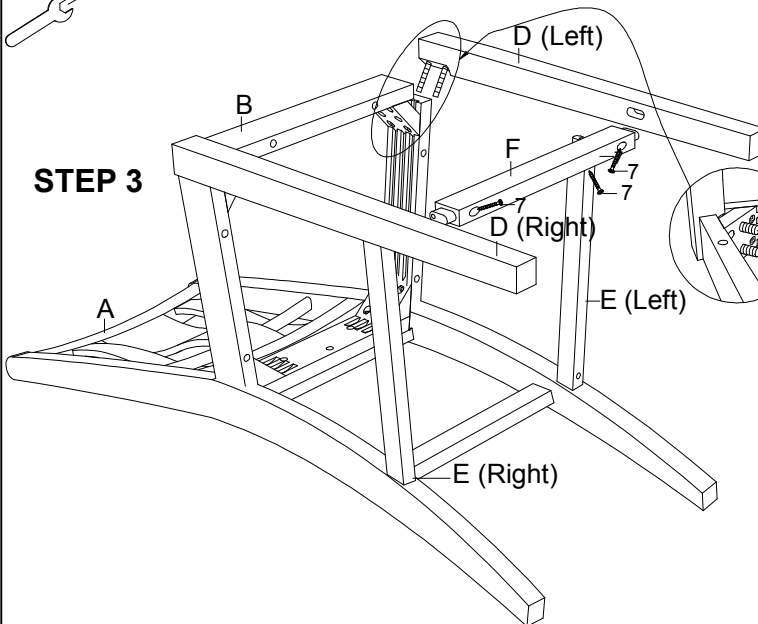
STEP 1



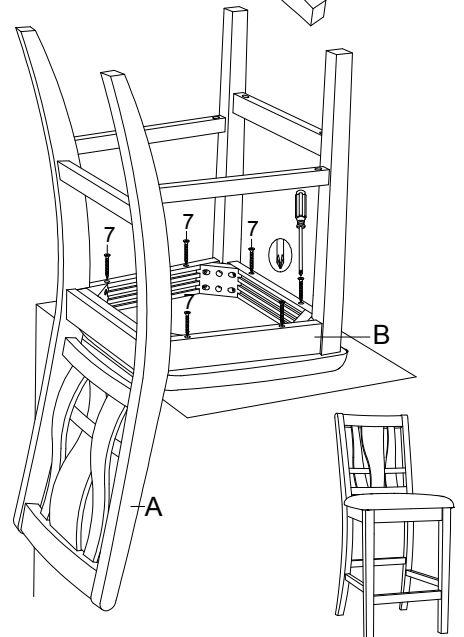
STEP 2



STEP 3



STEP 4



Assembly completed