

# ASSEMBLY INSTRUCTIONS

HLGMFL017/018/019

Description: Sideboards

## Important safety instructions:

- Please carefully read all instructions before assembling.
- For your safety and ease, assembly by two or more adults is recommended.
- Keep instructions for future use.

## Pre-assembly:

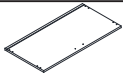
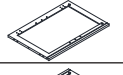
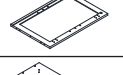






- Do not discard any contents until after assembly is complete to avoid accidentally discarding small parts or hardware.
- Remove all parts and hardware from box along with any plastic protective packaging.

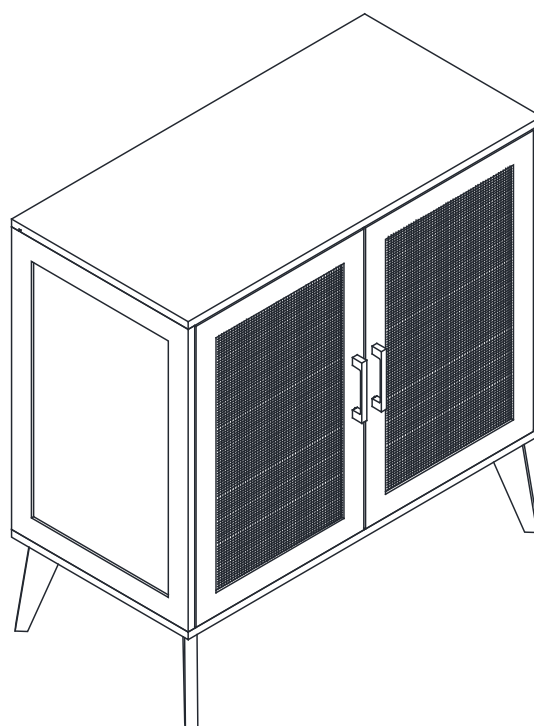
## After-sales service :

Thank you for purchasing our product. If you find any troubles with assembly or missing or damaged parts, please feel free to contact us. We will assist you to solve any troubles.













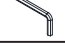







24 Hours Online Customer Service For You

## Parts List

Item	Description		QTY
1	Top panel		1
2	Left side panel		1
3	Right side panel		1
4	Bottom panel		1
5	Leg		4
6	Back panel		2
7	Adjustable shelf panel		1
8	Right door		1
9	Left door		1



## Hardware List

Item	Description		QTY	Item	Description		QTY
A	Cam-Bolt		4	K	Shelf support pin		4
B	Cam-Lock		4	L	Magnet metal plate		2
C	Wood dowel 6*30		8	M	Magnet		1
D	Screw 6*40		8	N	Handle		2
E	Screw 4*14		16+1 extra	O	Bolt		4
F	Adjustable foot pad		4	P	Backplane fastener		8
G	Wrench		1	Q	Back panel "H" Bar		1
H	Screw 3*14		12+1 extra	R	Anti-tipping hardware		2
I	Screw 4*40		6				
J	Hinge		4				

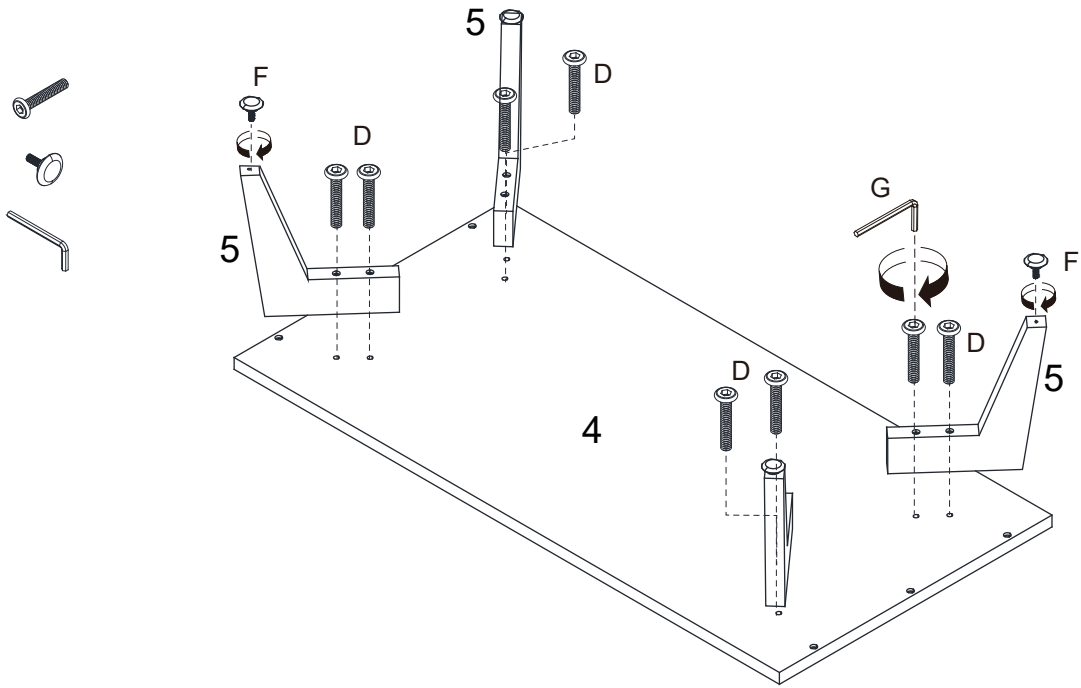
**Assembly Procedures:**

Step 1.

(D)x8

(F)x4

(G)x1



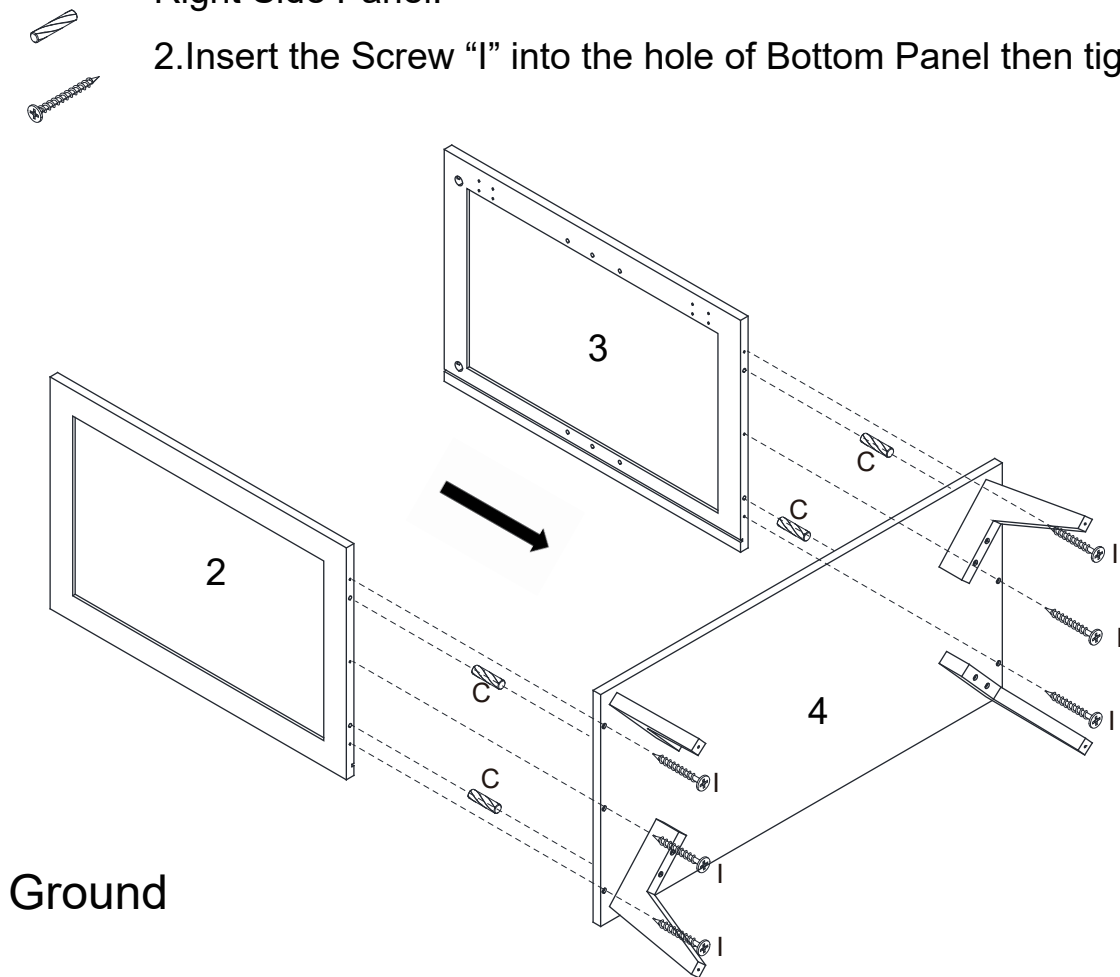
Step 2.

(C)x4

(I)x6

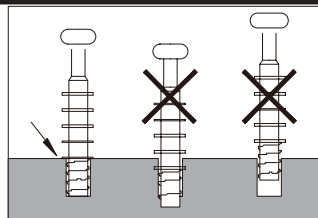
1. Insert the Wood dowel "C" into the hole of Left Side Panel and Right Side Panel.

2. Insert the Screw "I" into the hole of Bottom Panel then tighten.



PLEASE USE 3-IN-1 SCREWS CORRECTLY.

Installation method of  
Cam Lock & Cam Screw



Step 3.

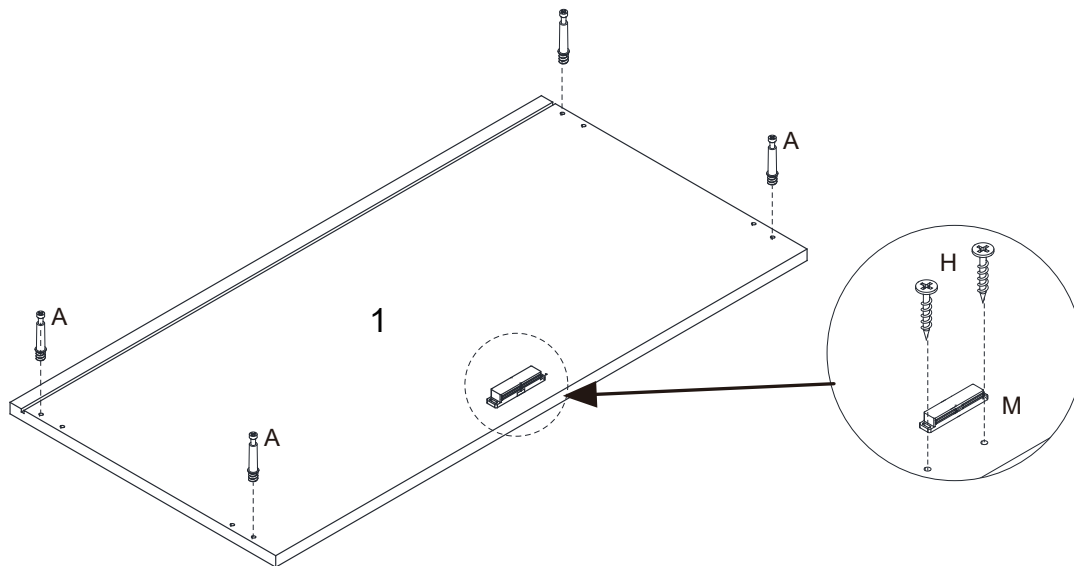
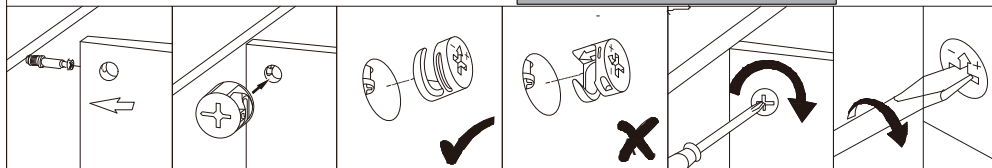
(A)x4



(H)x2

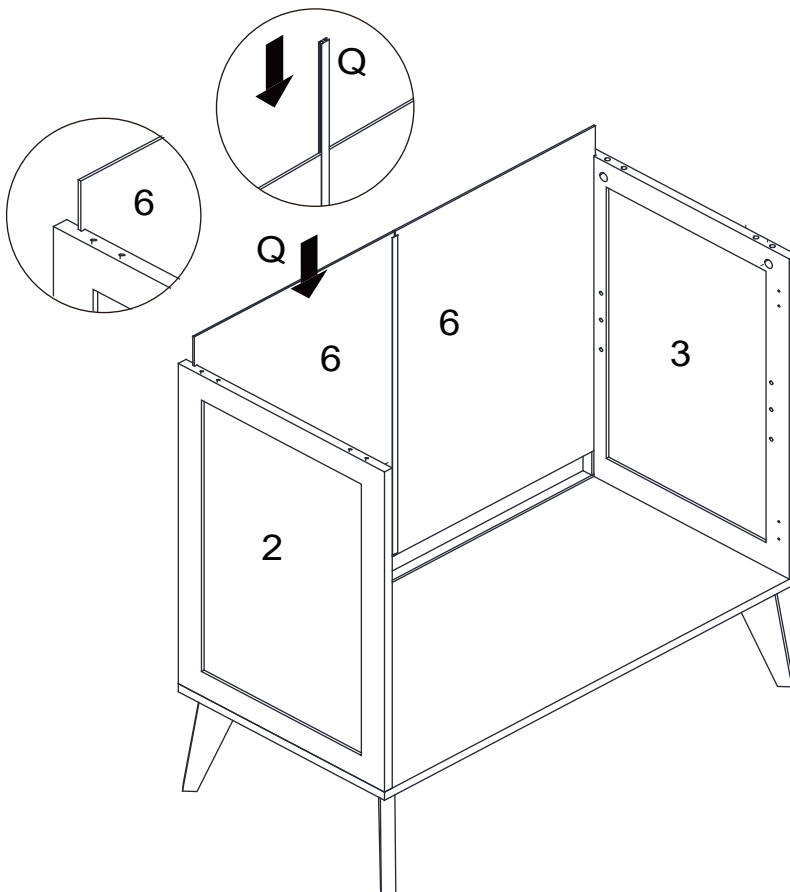


(M)x1





Step 4.

(Q)x1



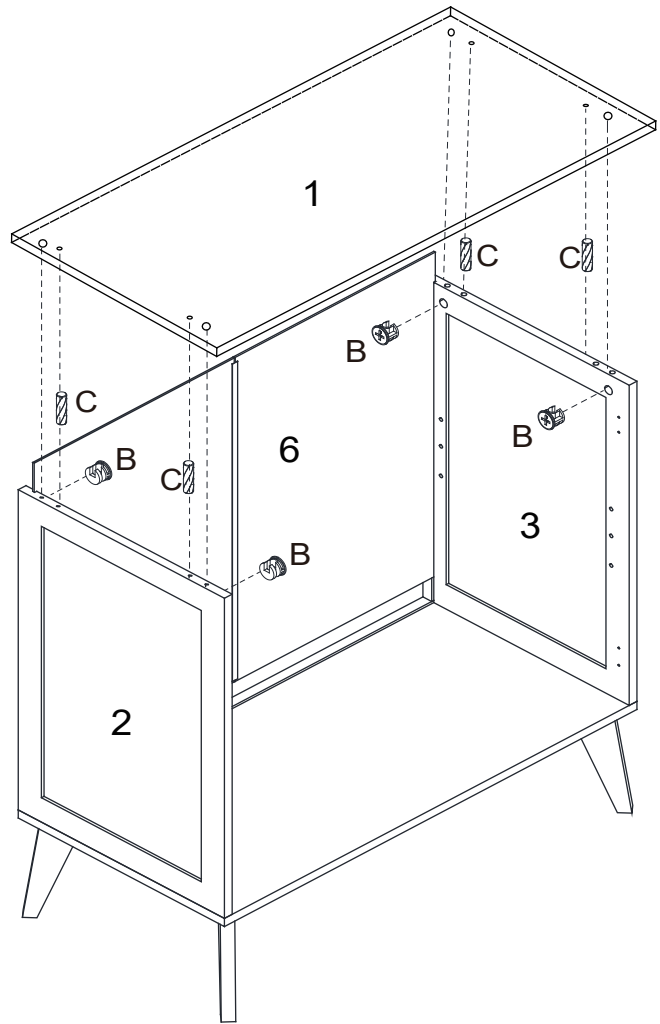
Step 5.

(B)x4 

(C)x4 

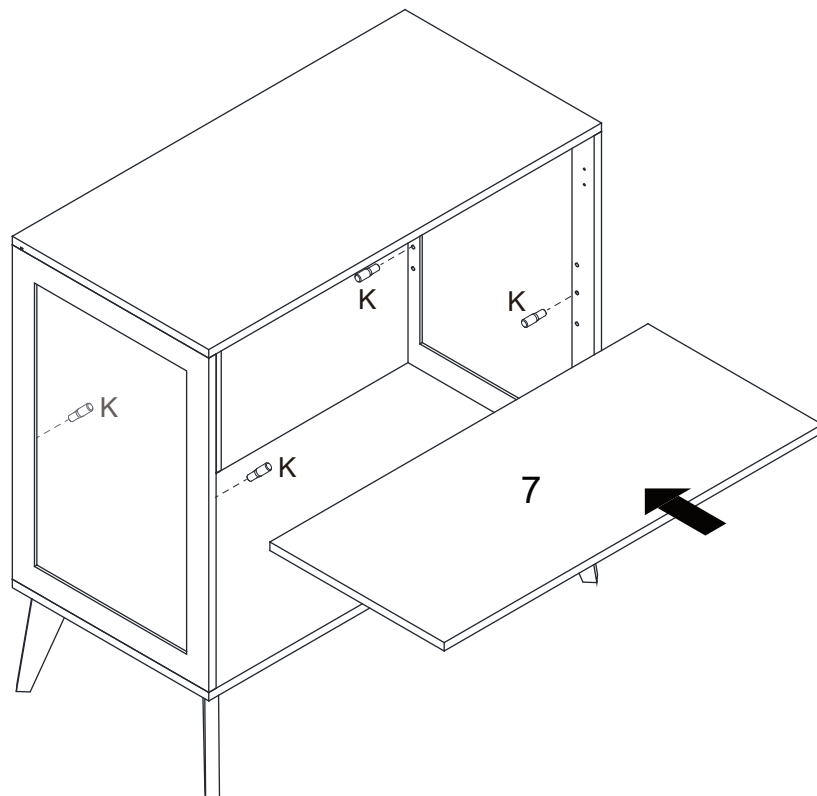
**1. Insert the Wood dowel “C” into the hole of Left Side Panel#2 and Right Side Panel#3. Then Install Top panel**

**2. Insert the Cam-Lock “B” into the hole of Left Side Panel#2 and Right Side Panel#3.**



Step 6.

(K)x4 



Step 7.

(E)x8



(J)x4



(L)x2



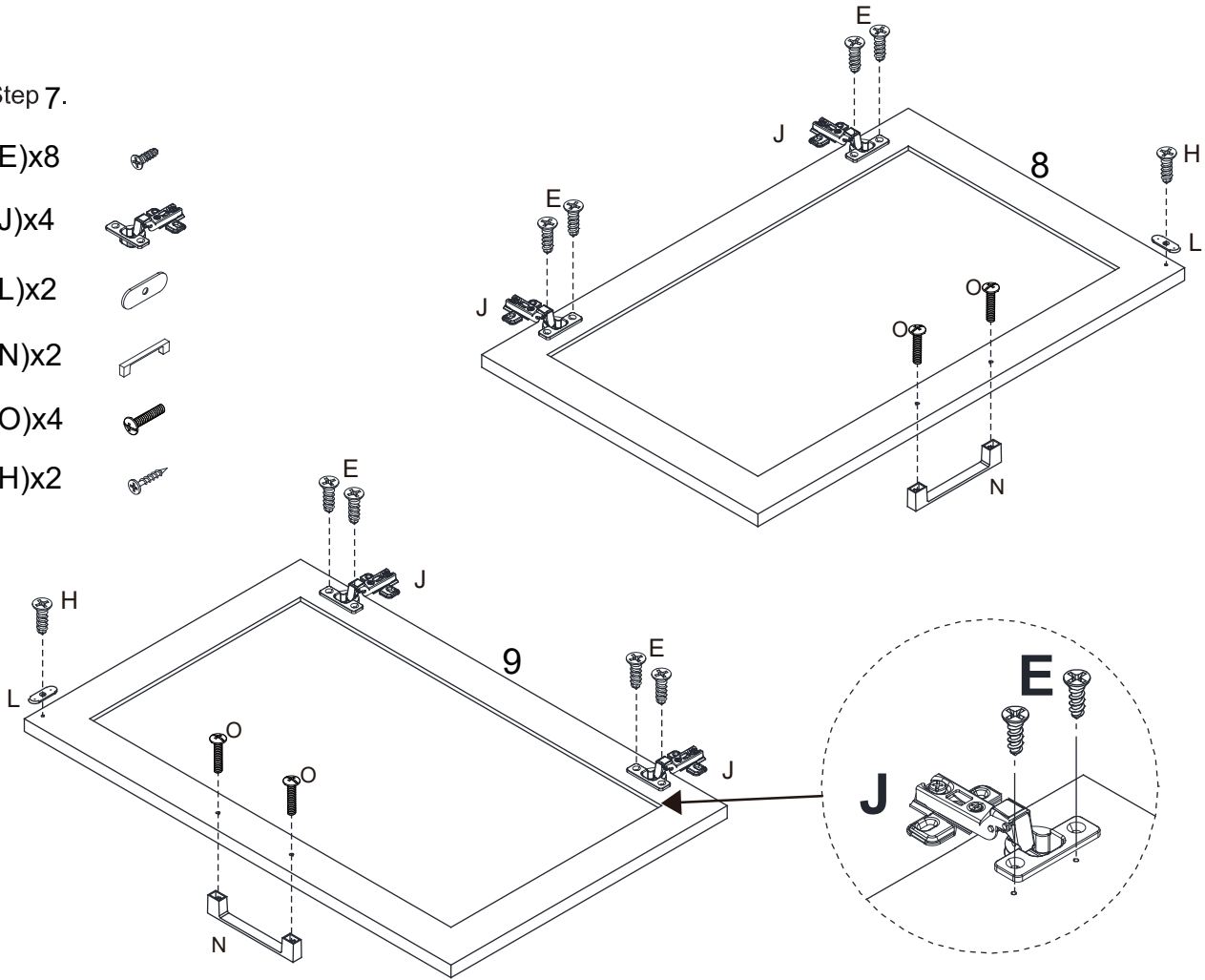
(N)x2



(O)x4

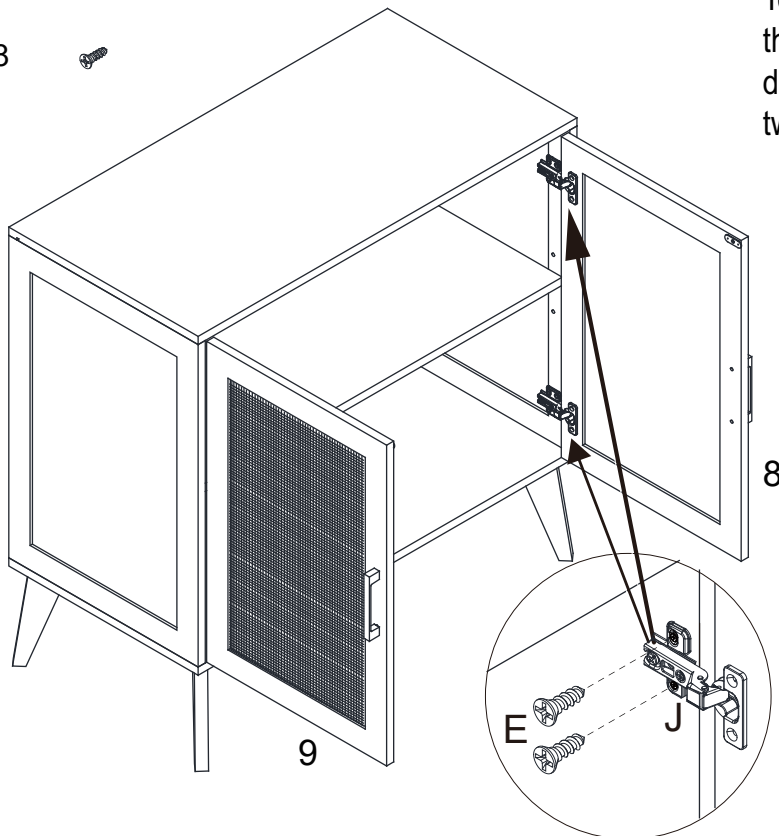


(H)x2



Step 8.

(E)x8



To achieve uniform clearance around the door, you may need to adjust the door by tightening or loosening the two screws on the hinge itself.

Step 9.

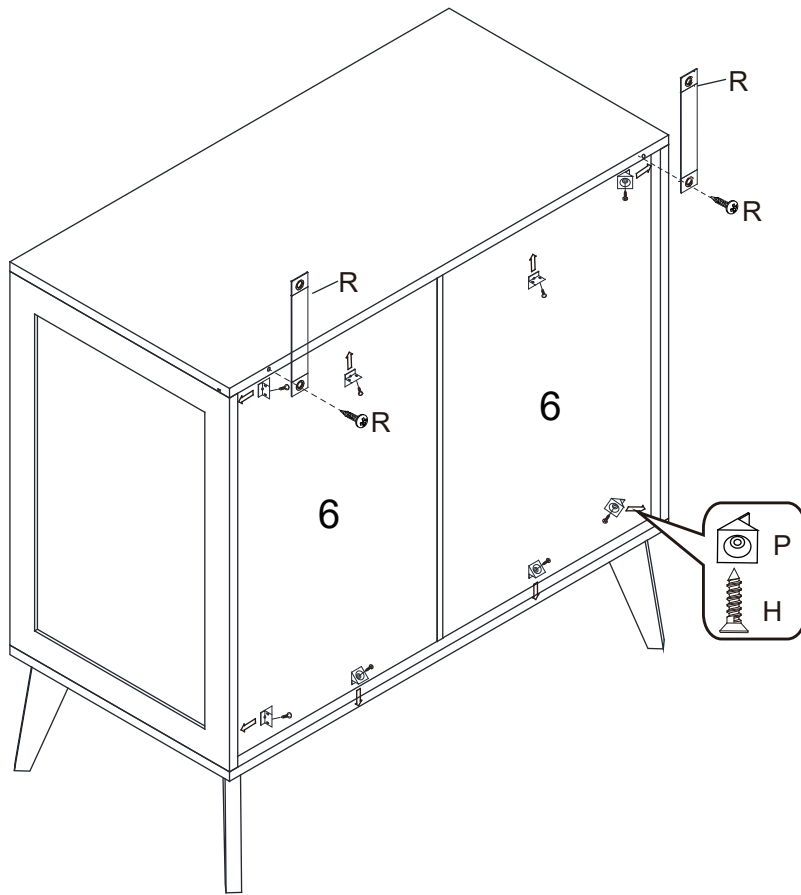
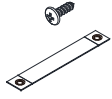
(H)x8



(P)x8

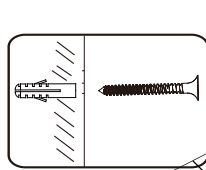
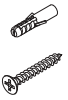


(R)x2



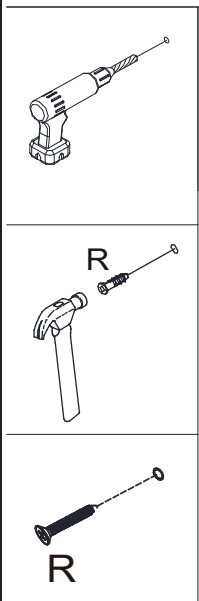
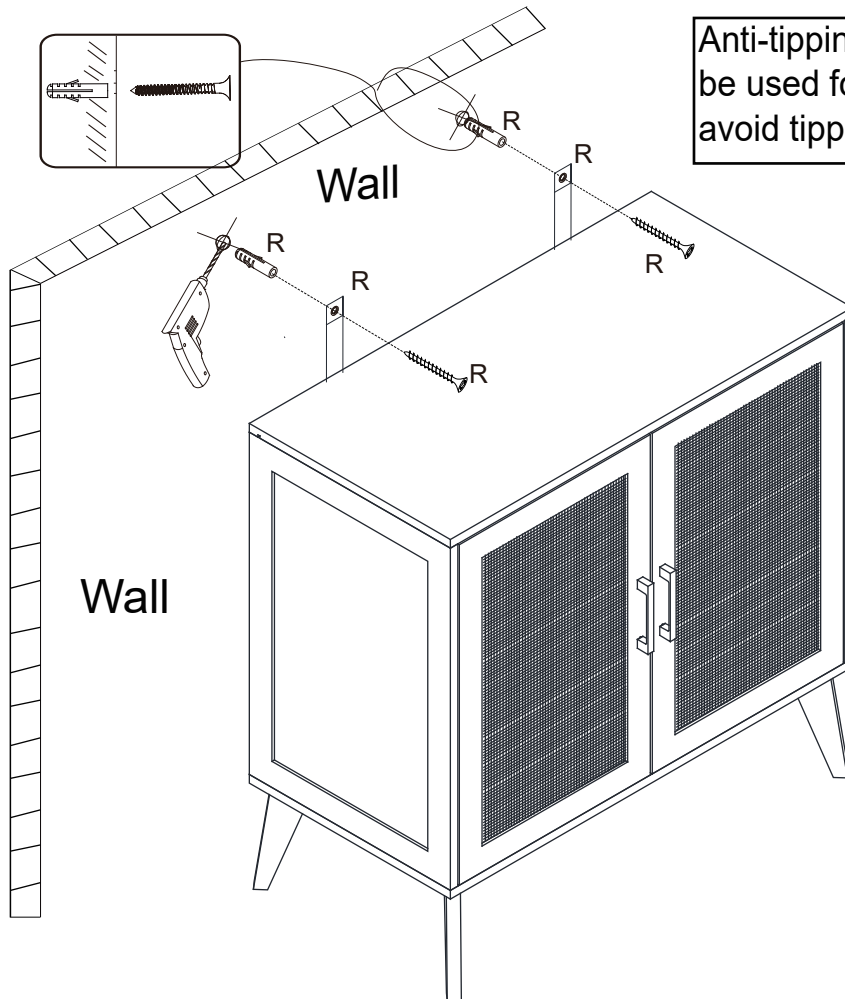
Step 10.

(R)x2

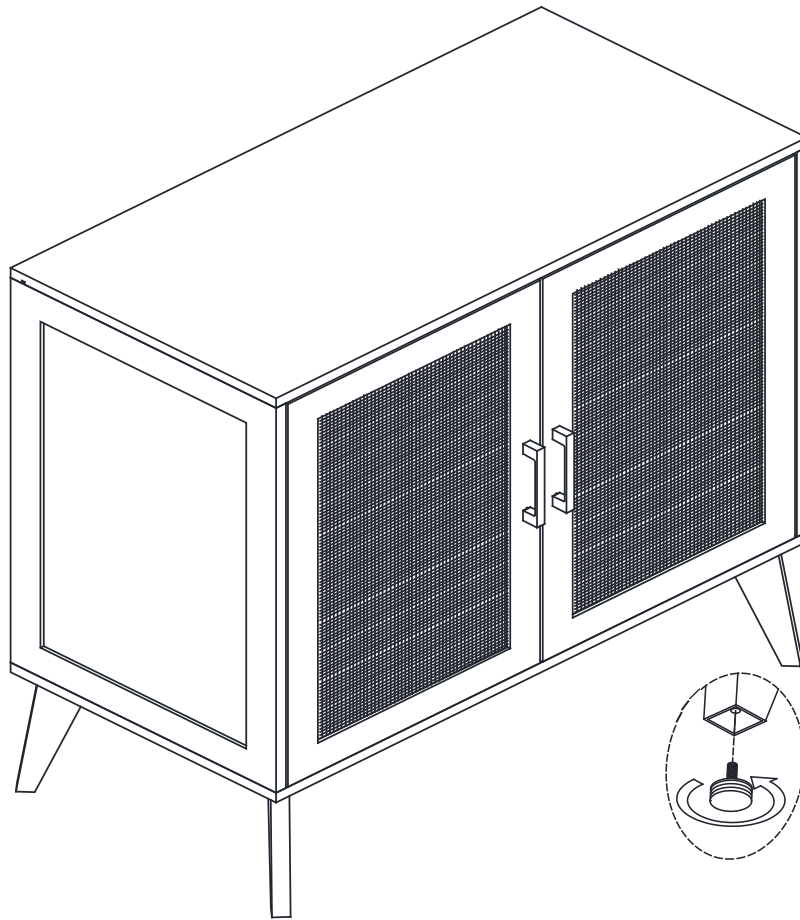


Wall

Anti-tipping hardware must be used for this product to avoid tipping and injury.



Step 11.



When the floor is not normal,  
you can adjust the foot mat to  
make the cabinet level and  
the door gap consistent