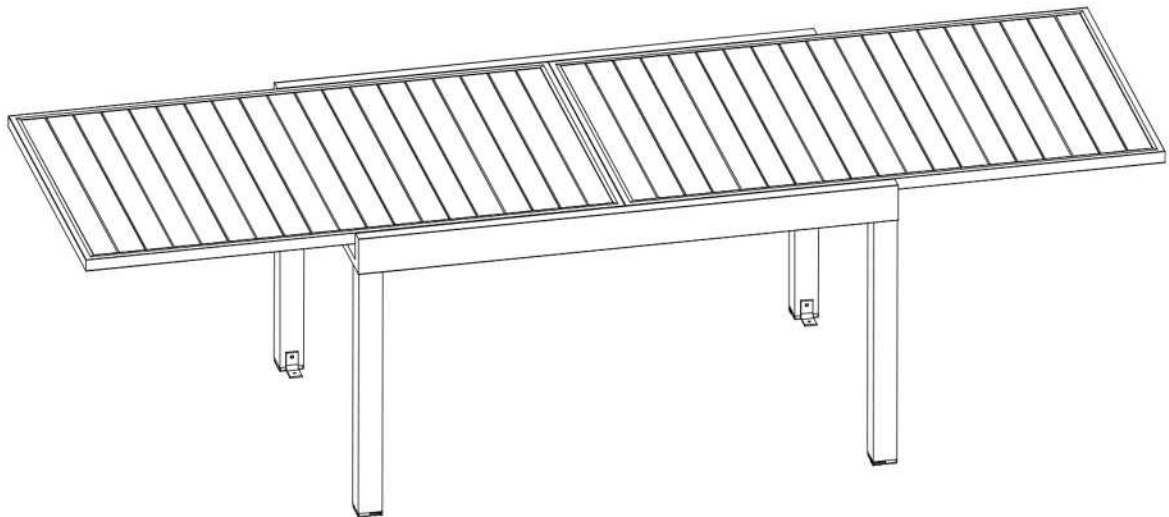
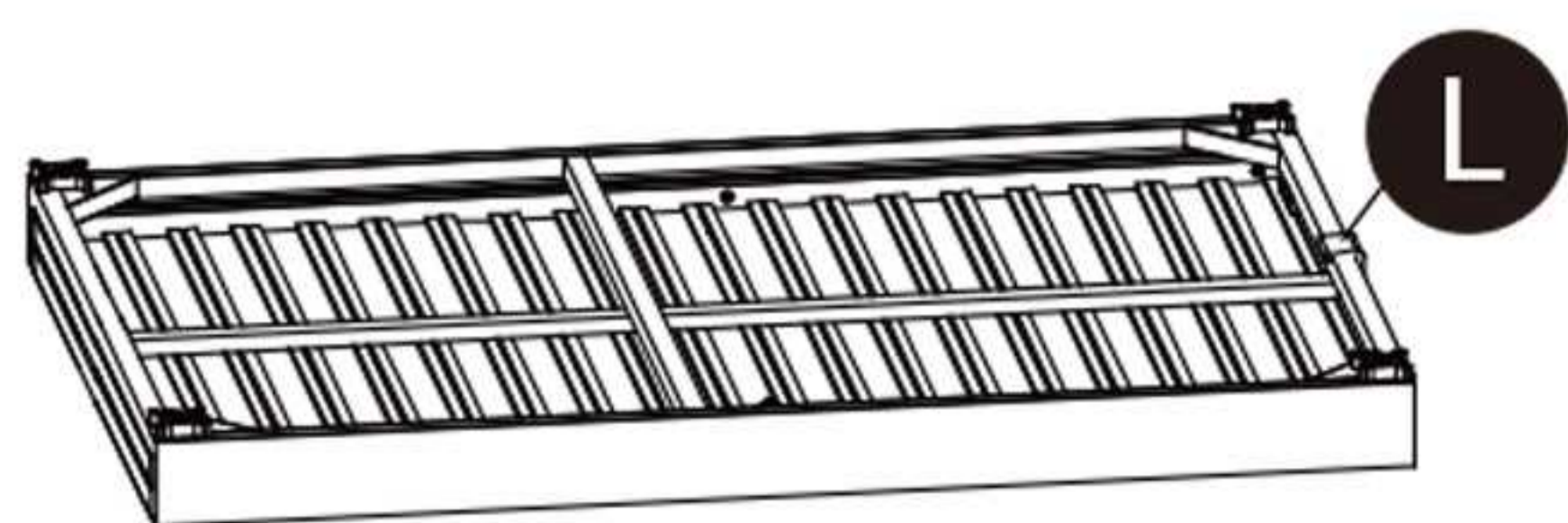




## **Aluminium Extendable Dinning Table Assembly Manual**



- Prior to assembly, please confirm all of the parts listed included.
- All bolts should be tightened before use. Maybe, you need allen wrench for assembly.
- Missing Part? Damaged? Contact us via email at [domiservice01@outlook.com](mailto:domiservice01@outlook.com).



**A** x1



**B** x4



**C** x4



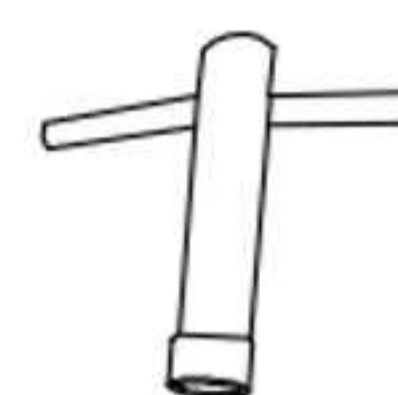
**G** x4



**H** x4

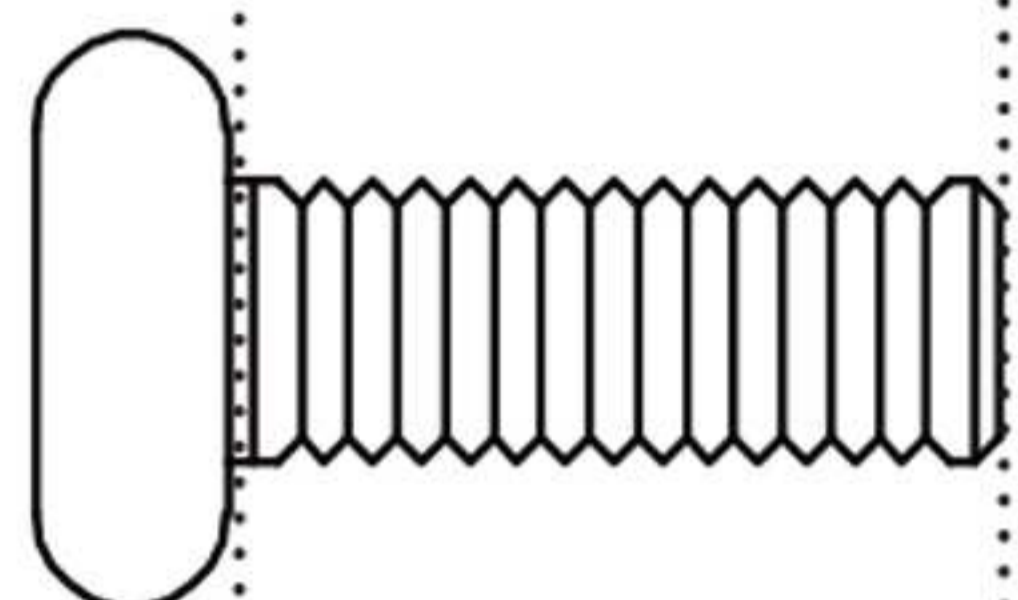


**J** x1

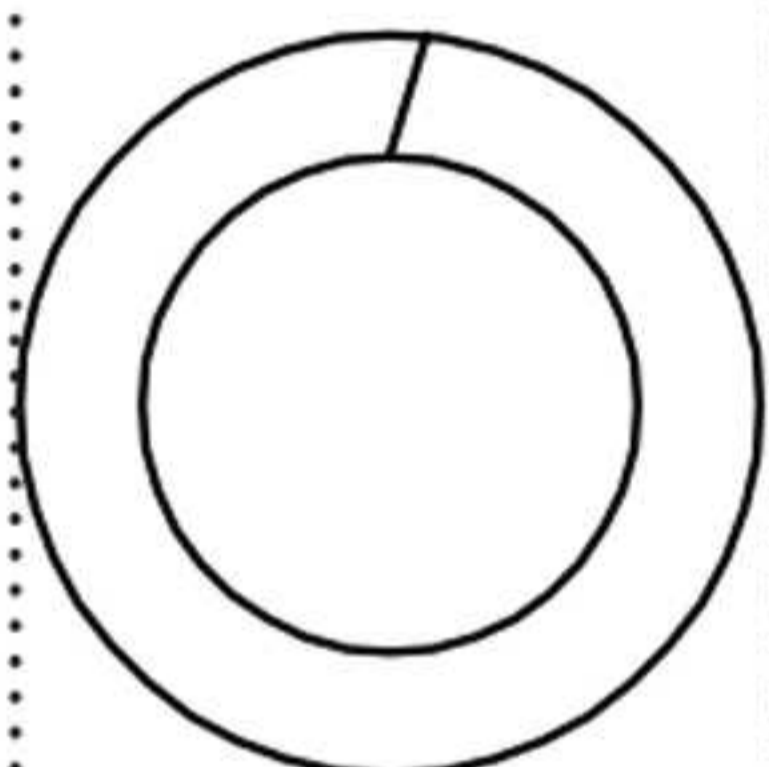


**K** x1

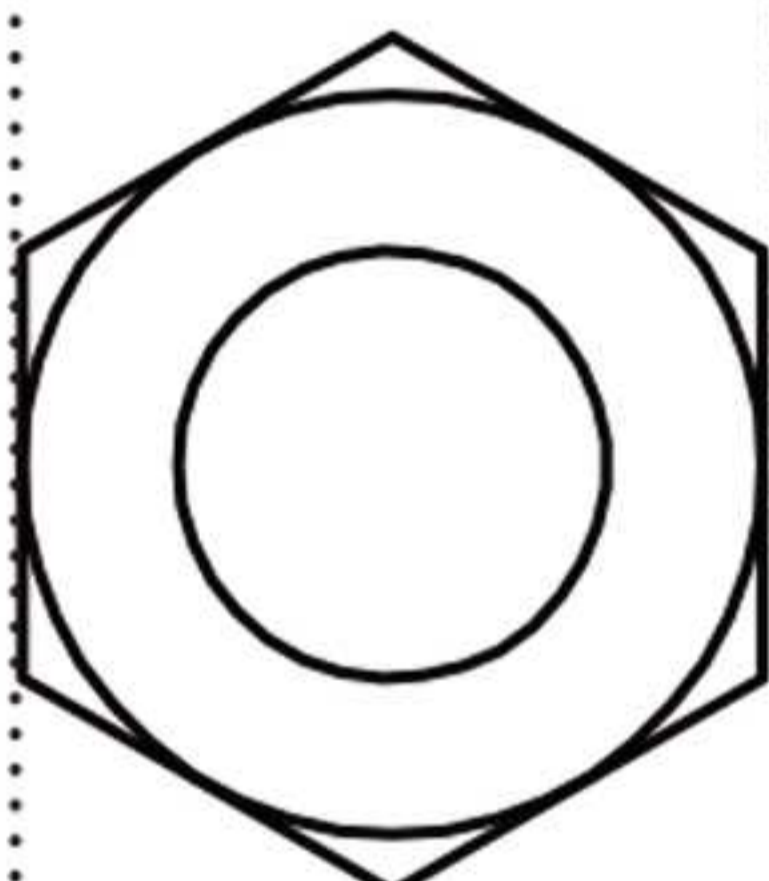
0 1 2 3 4 5 cm



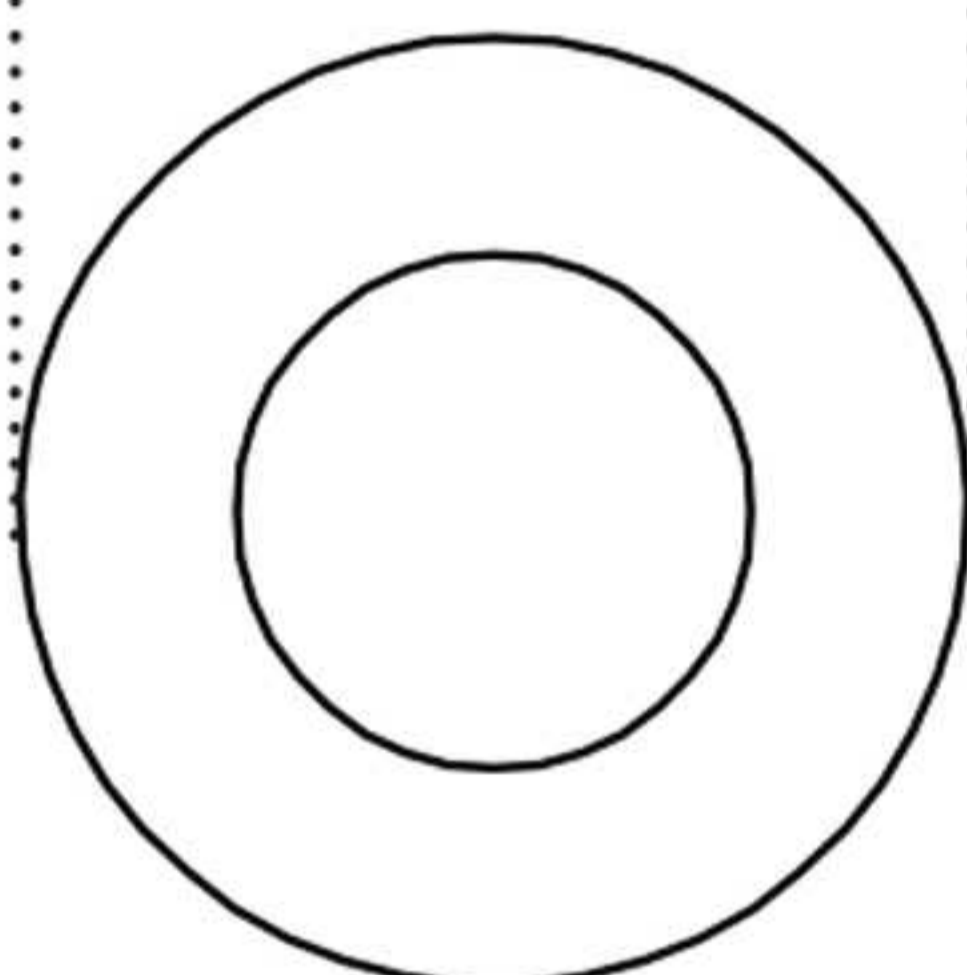
**I** x4 M6\*16



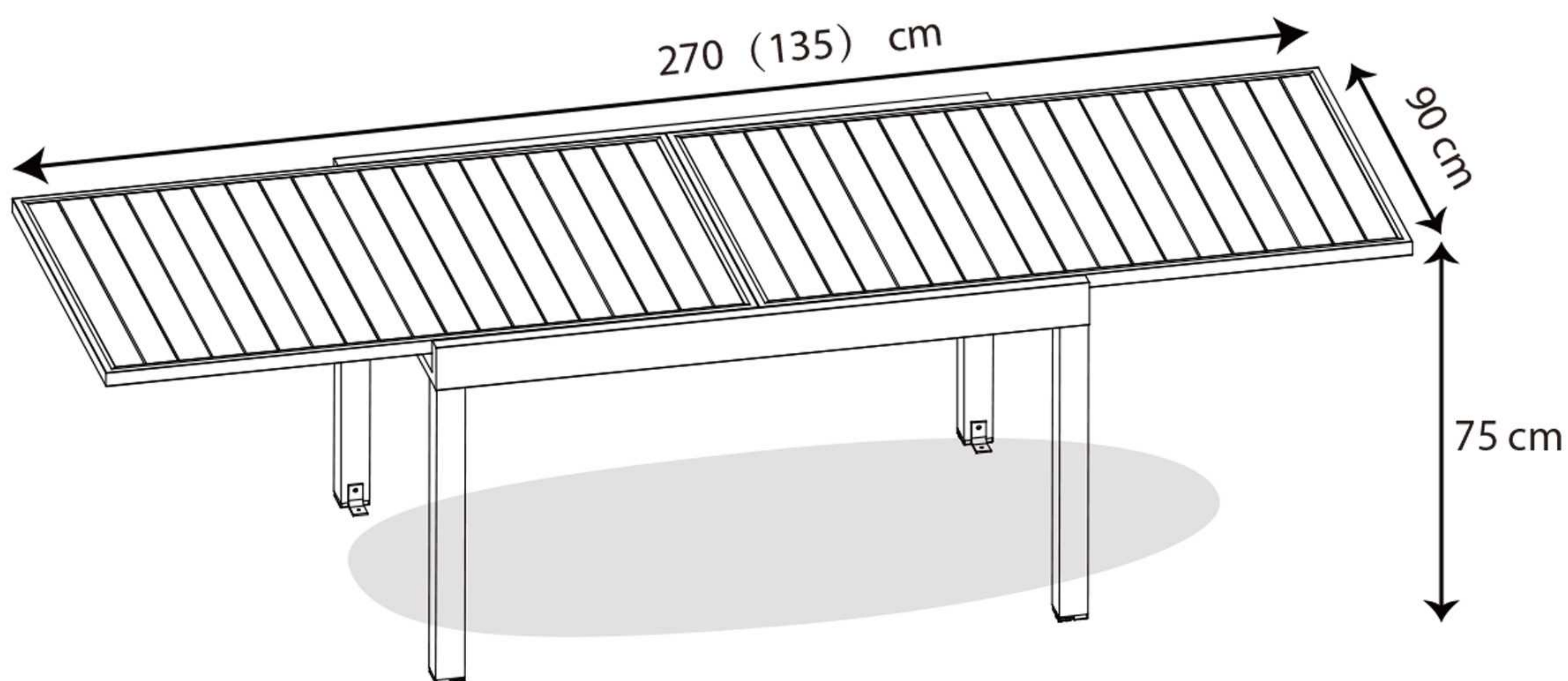
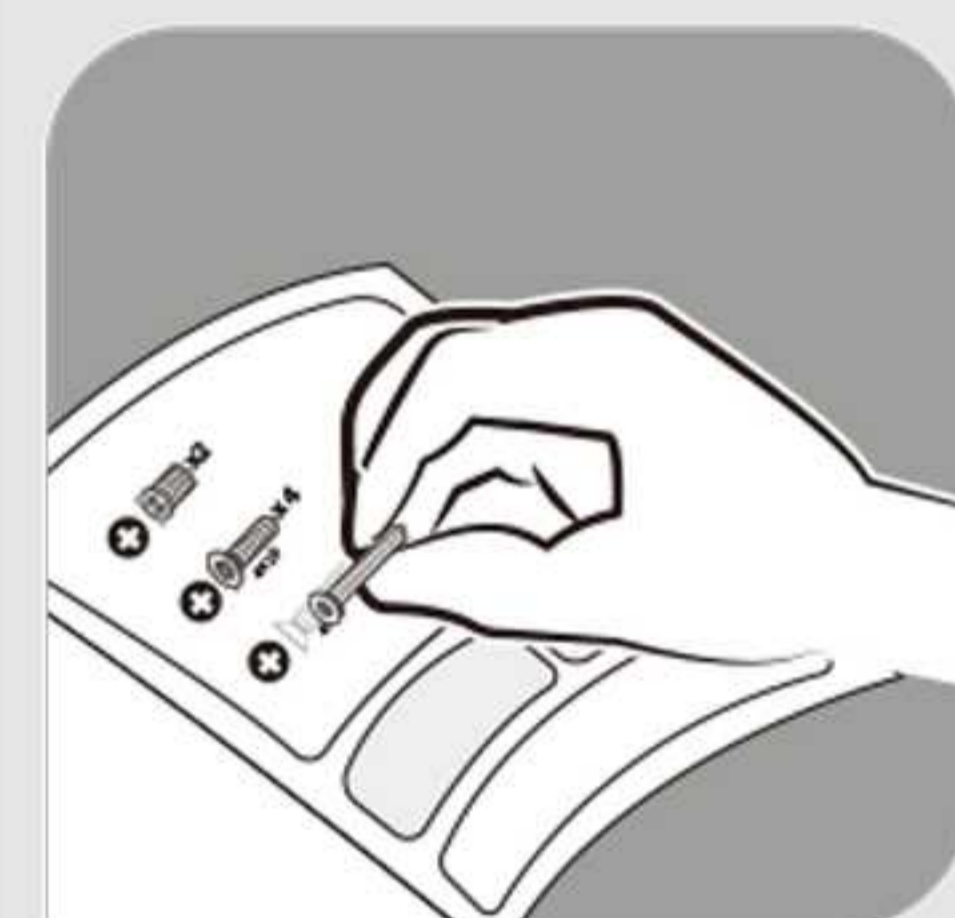
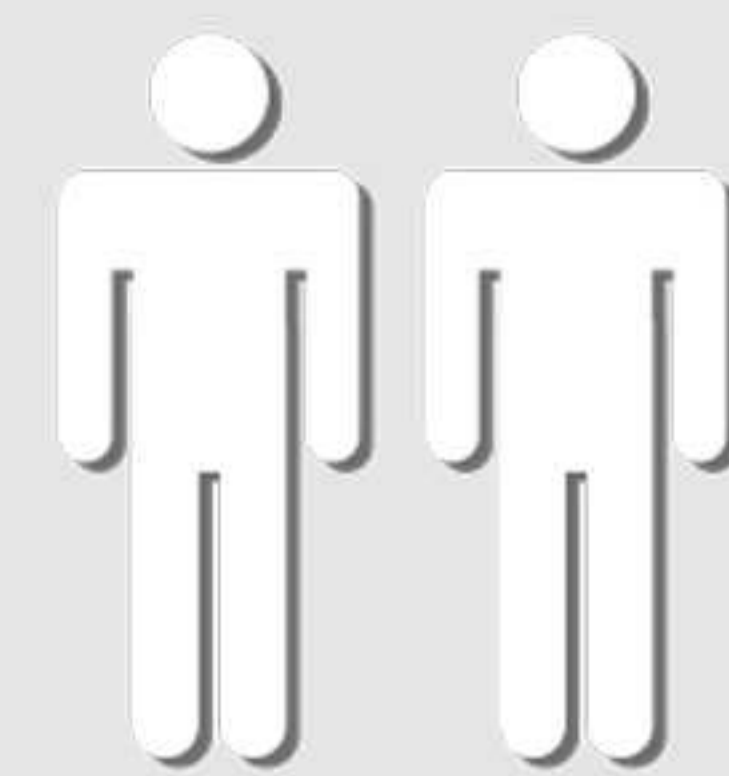
**E** x8



**F** x8

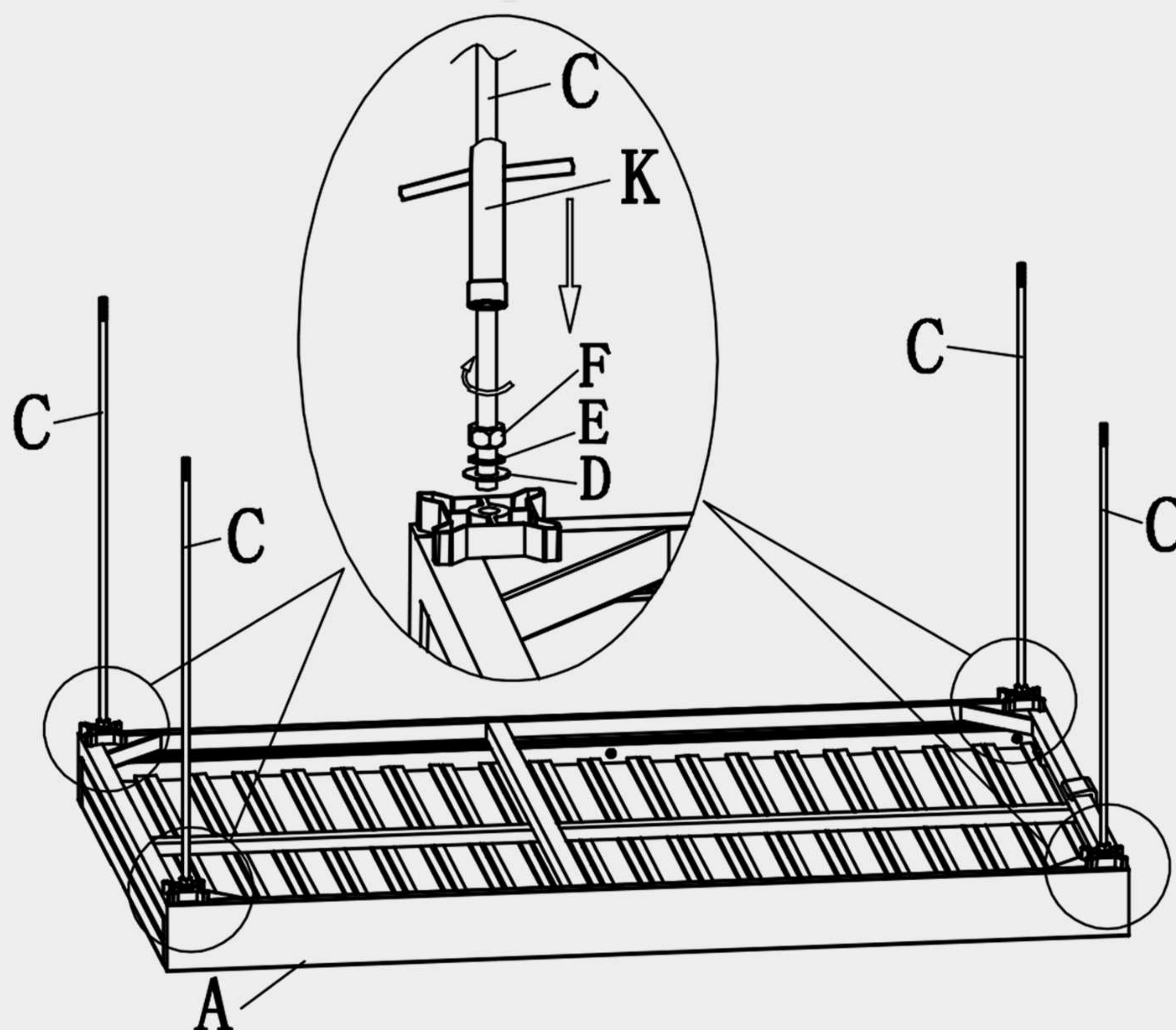
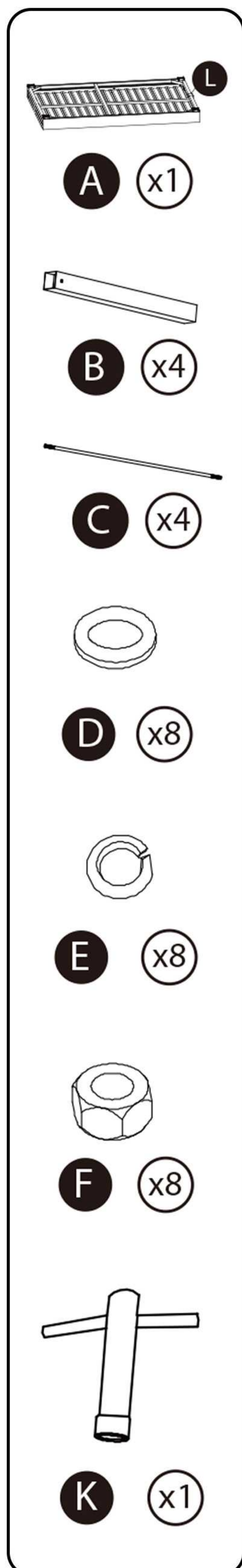


**D** x8



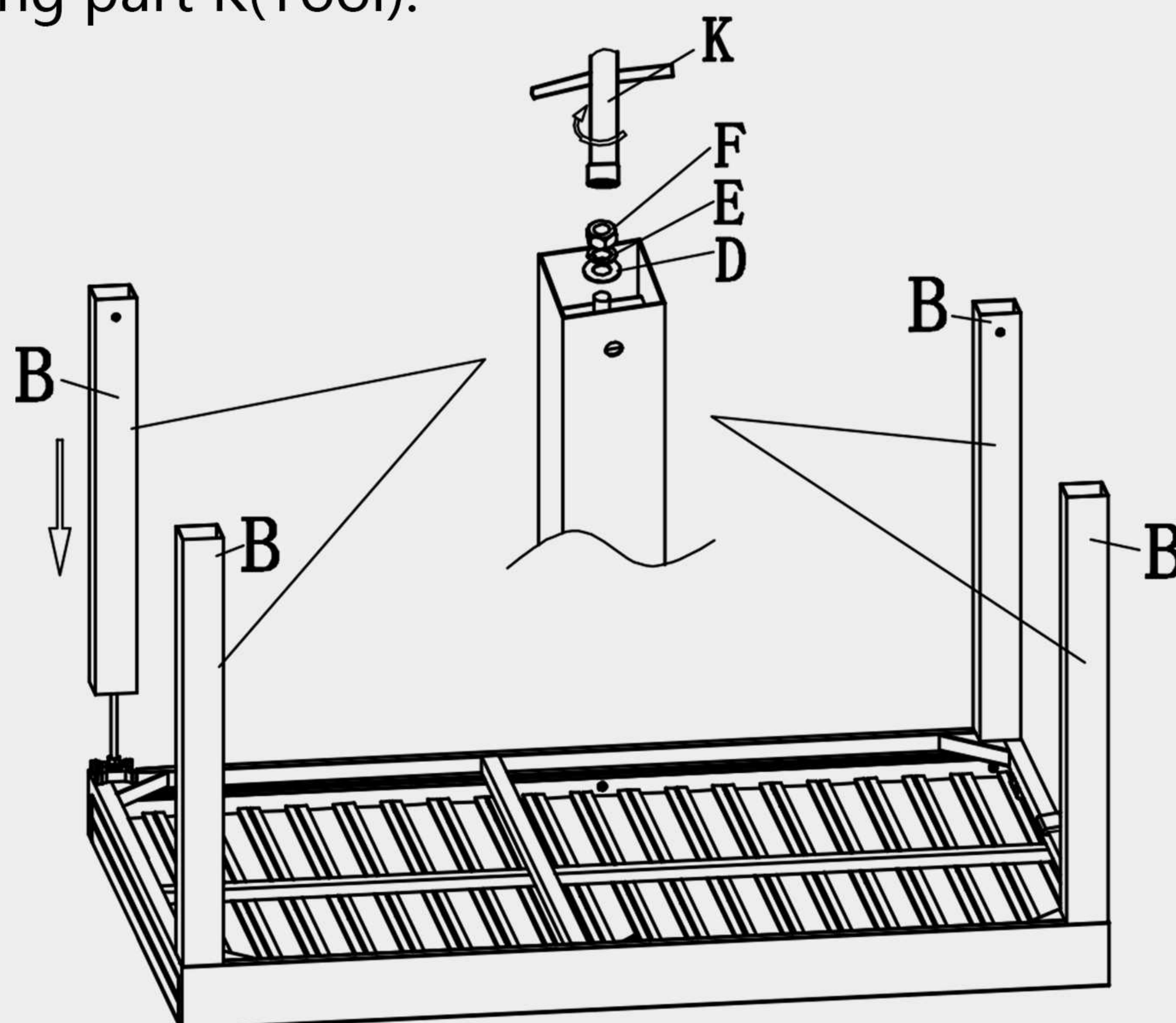
## Step 1:

Screw part F to part C, then put on E and D. Finally, assemble part C to part A by lock K (Tool).



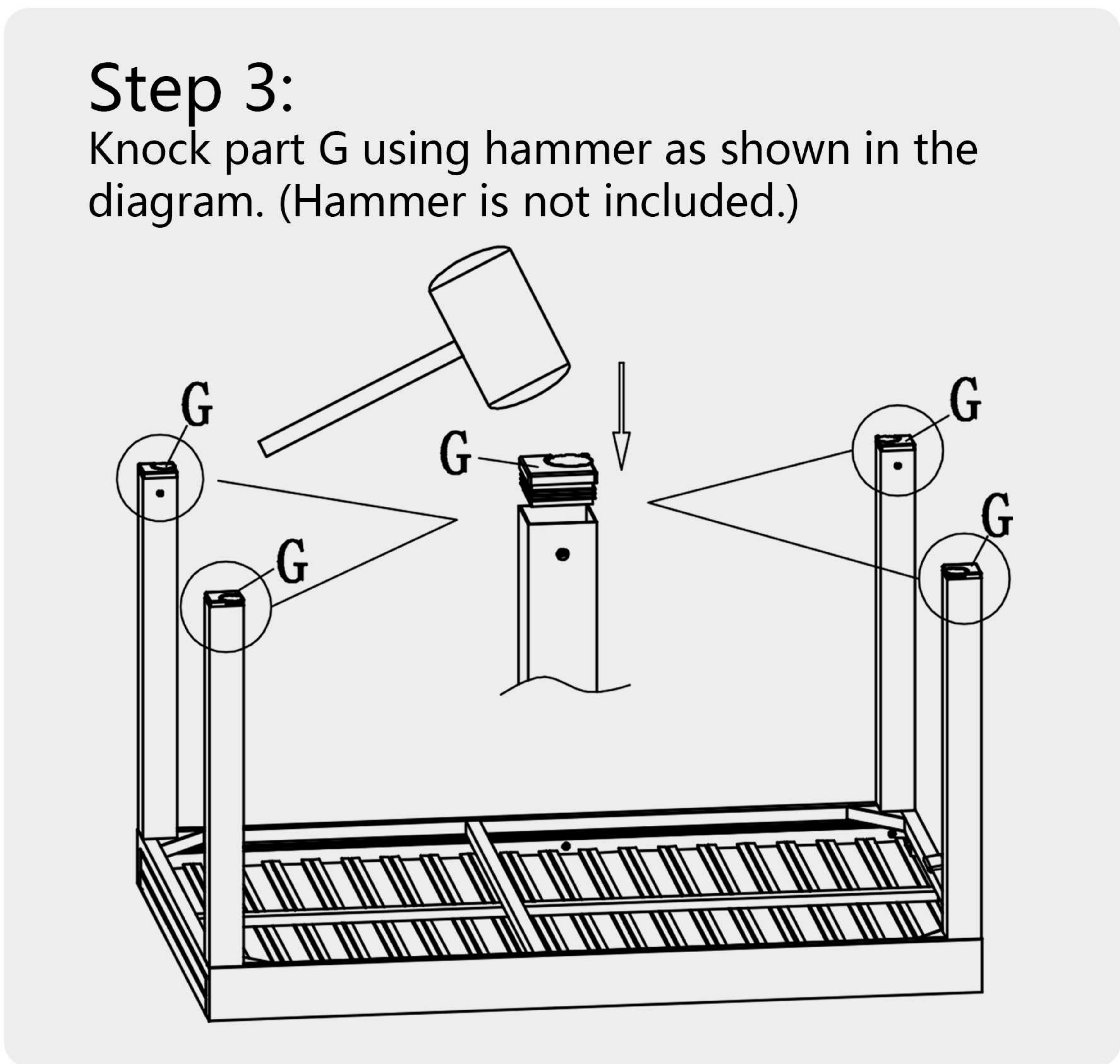
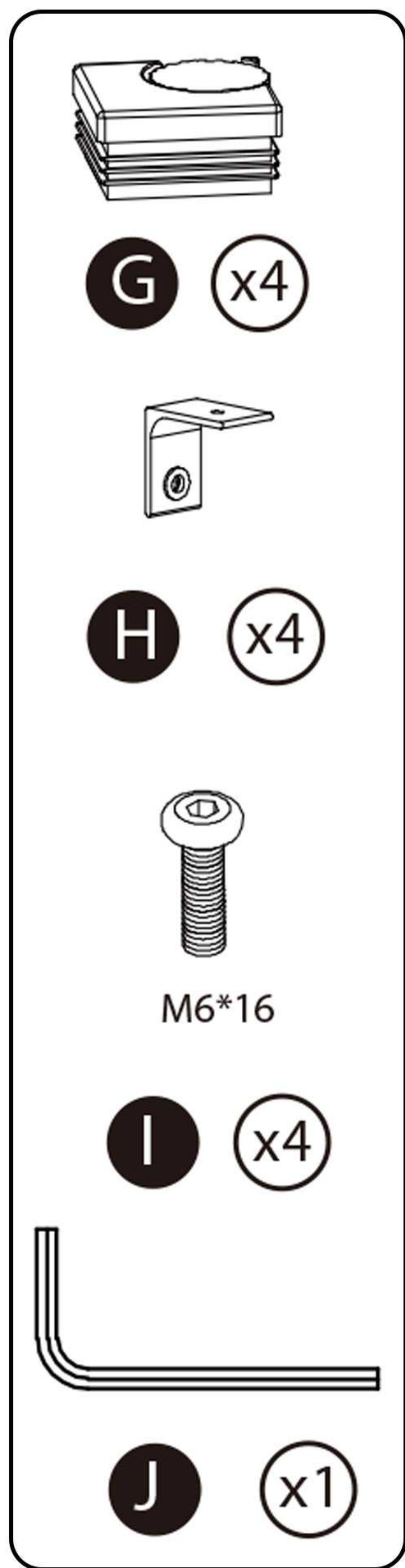
## Step 2:

Cover part C with part B, then put D, E shown in the diagram. Then lock part F (screw) using part K (Tool).



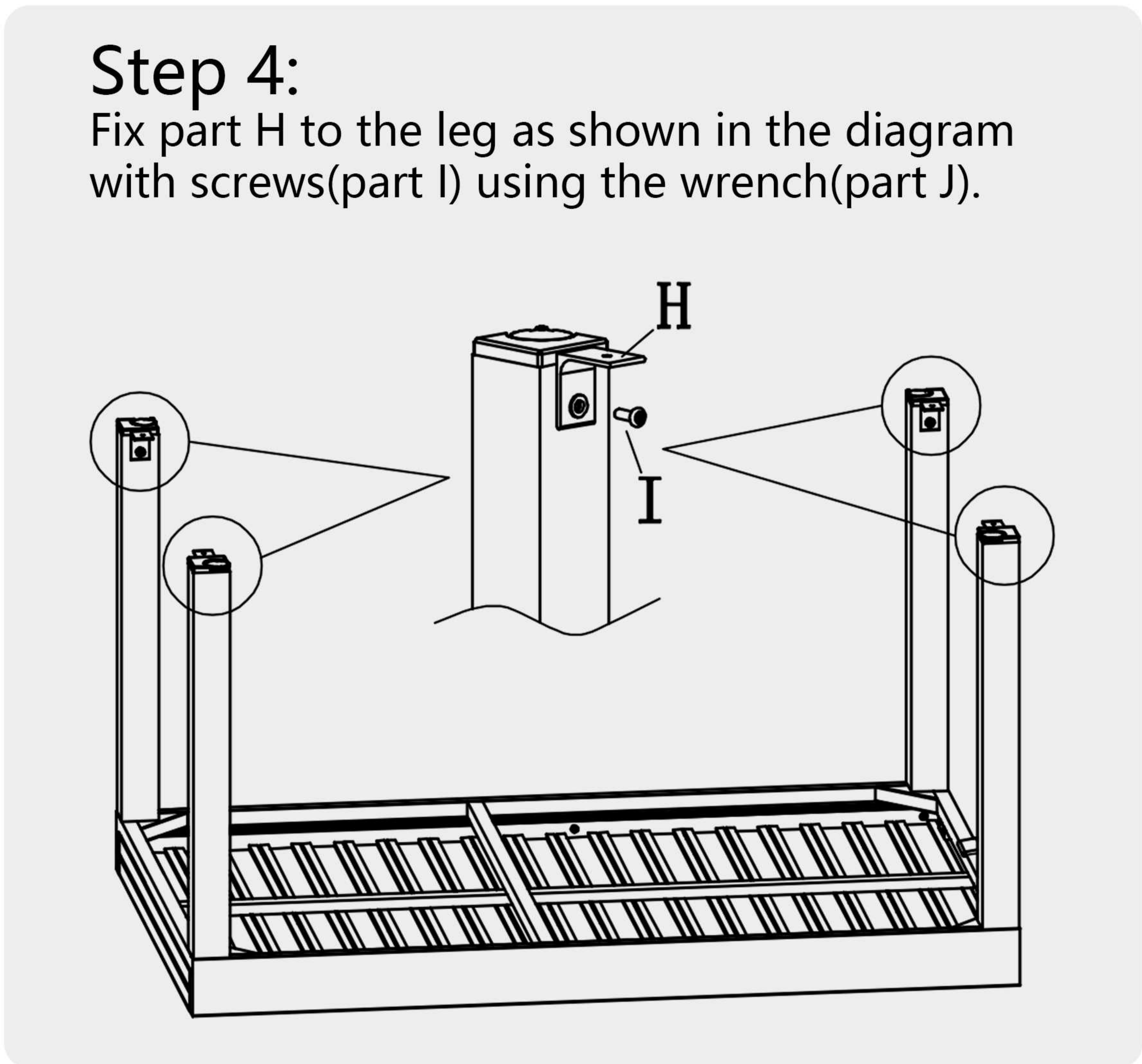
### Step 3:

Knock part G using hammer as shown in the diagram. (Hammer is not included.)



### Step 4:

Fix part H to the leg as shown in the diagram with screws (part I) using the wrench (part J).



# How to use it?

