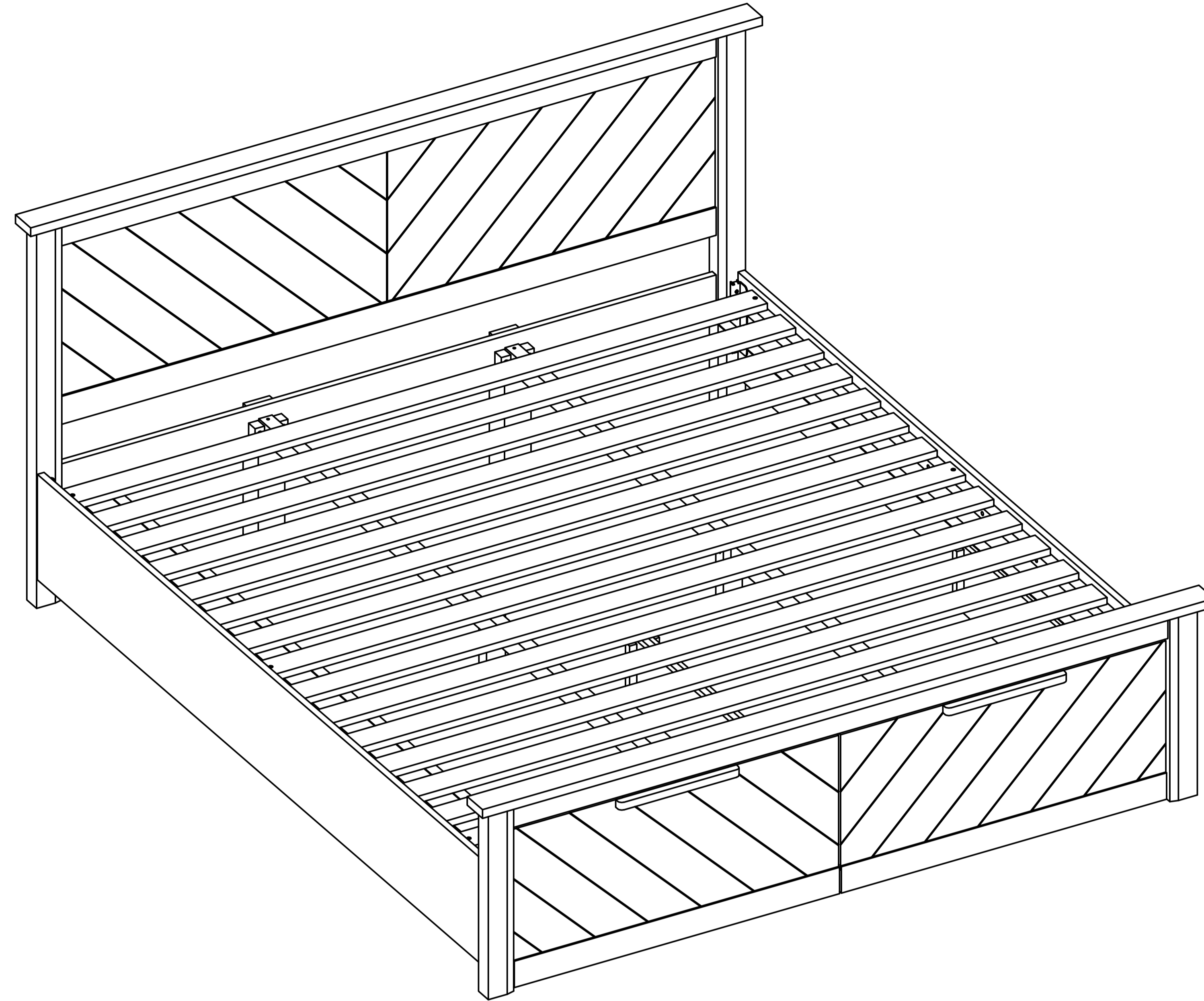
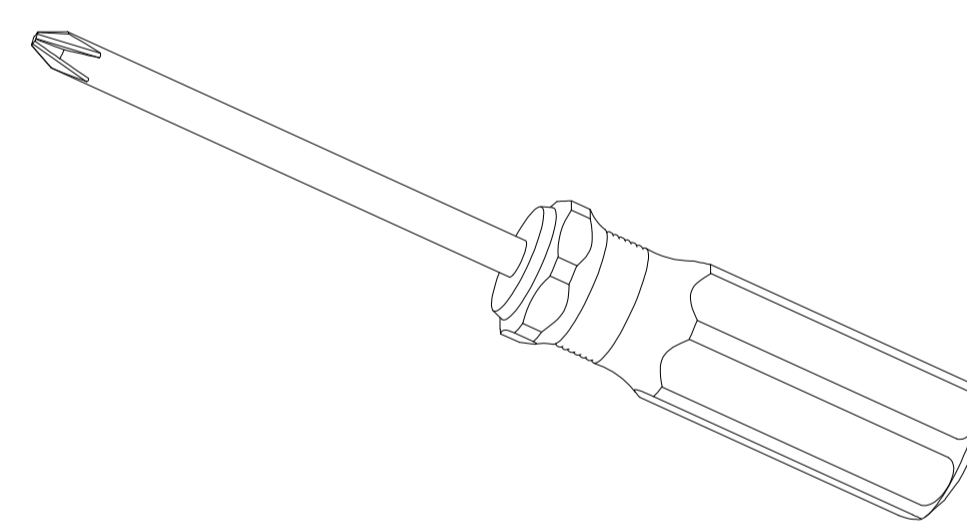


# KENJI 6FT BED WITH 2 DRAWER AT FOOTBOARD

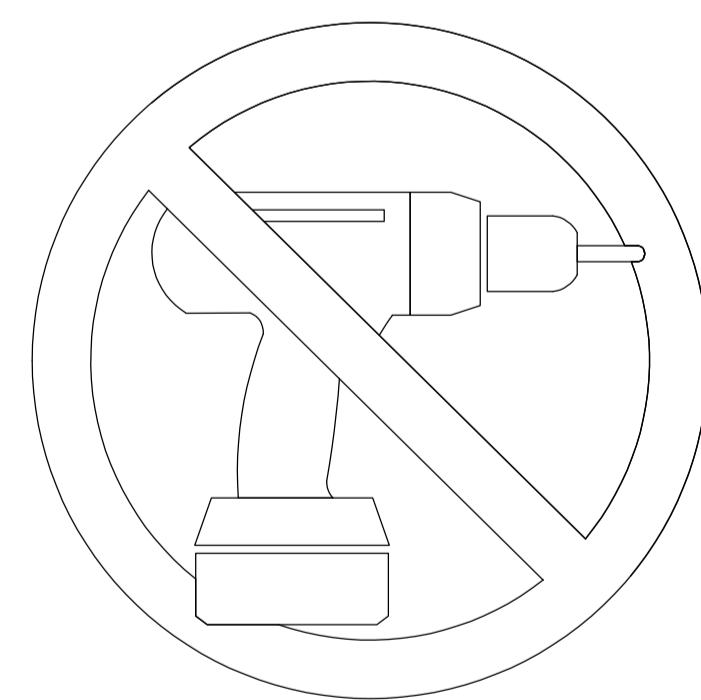
## K06



Tools you need to assemble the product



Phillips screwdriver



Do not use Power Tools

**Never use power tools unless specifically instructed.  
They can damage your components or hardware if used incorrectly.**

### **⚠ DANGER**

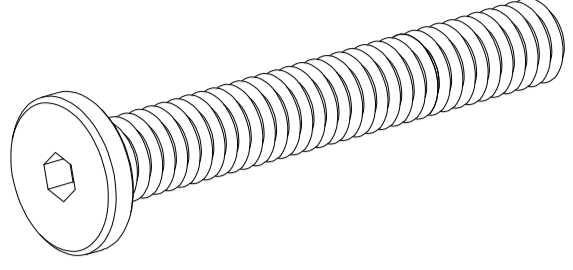
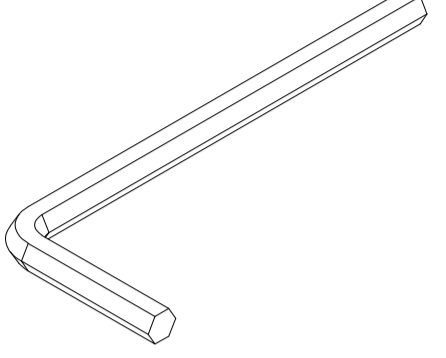
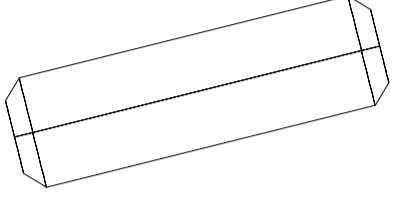
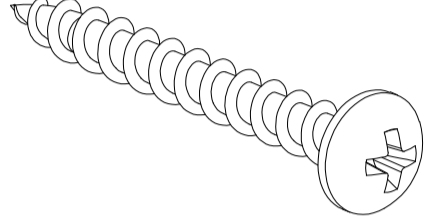
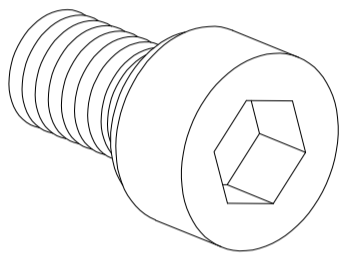
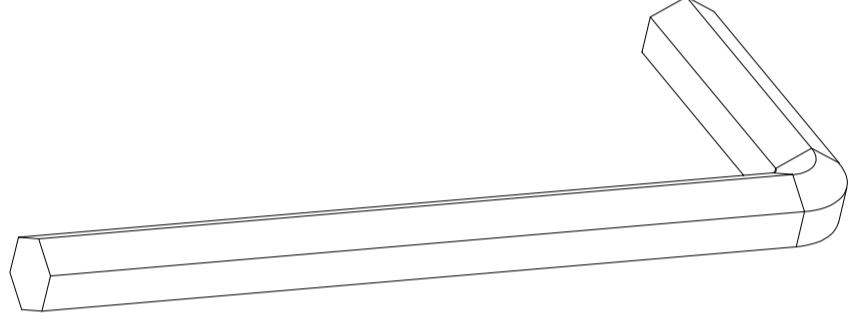
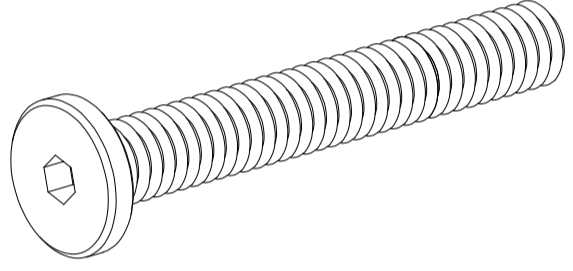
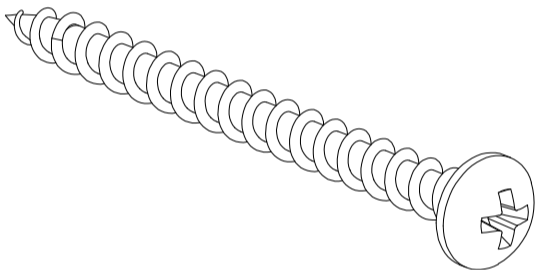
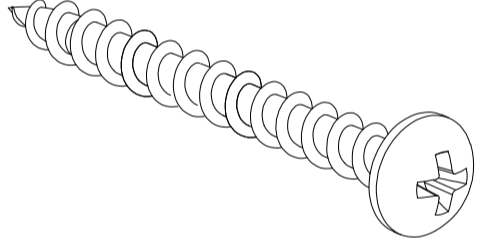
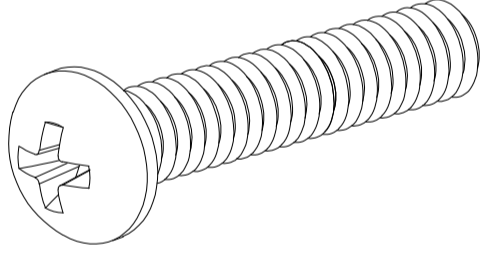
• Risk of suffocation! •  
Keep any packaging materials away from children.

**Made in Vietnam**

Examine all packaging material for small parts that may have come loose during shipment. Periodic checks are recommended to ensure that all components are in proper position, tight and free from damage. Keep assembly instructions for future reference. Adult assembly is required.

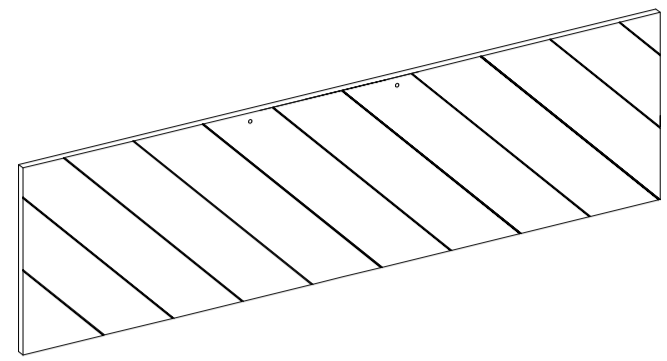
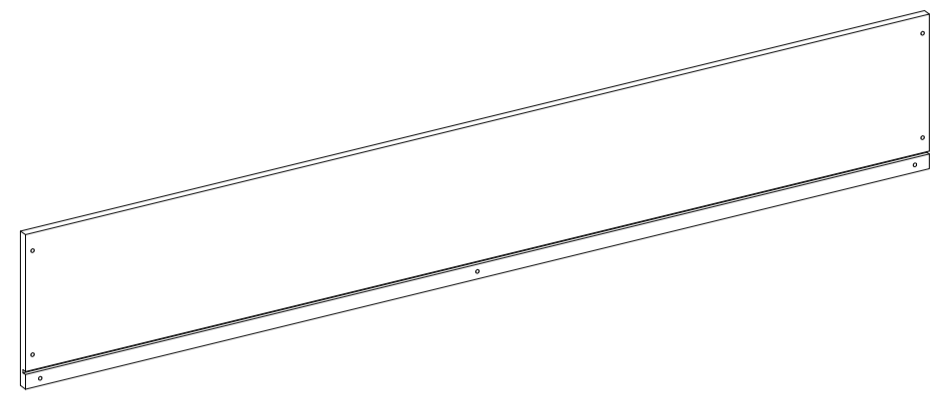
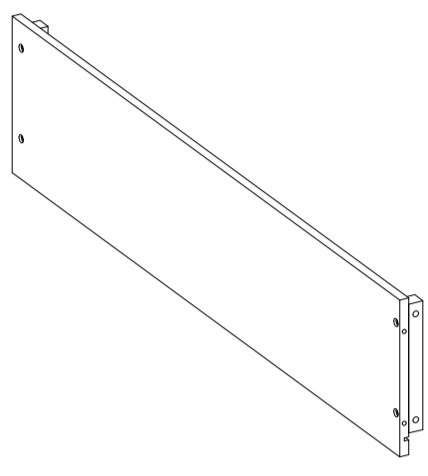
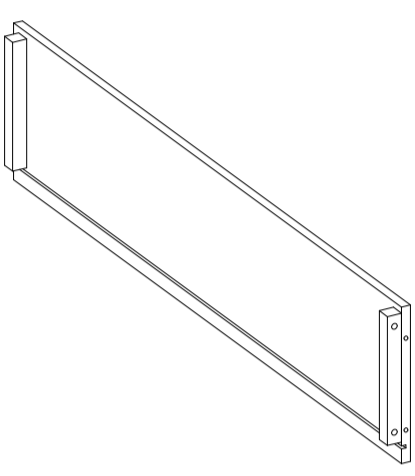
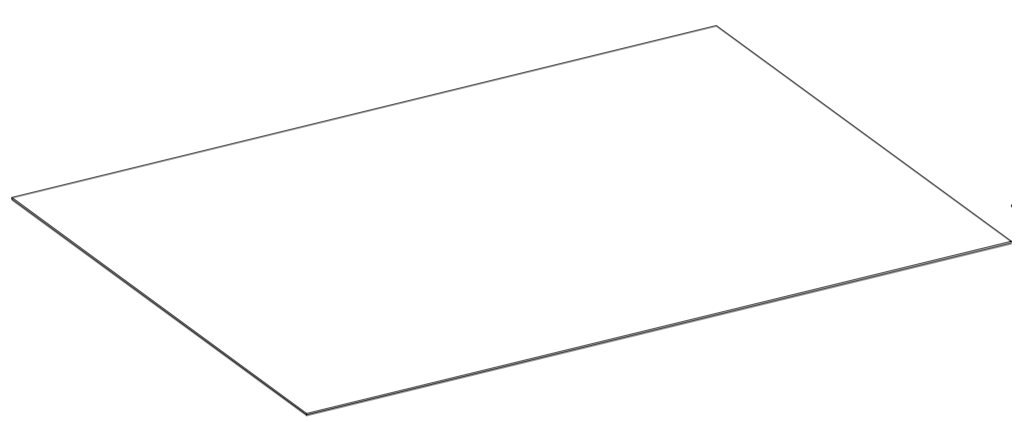
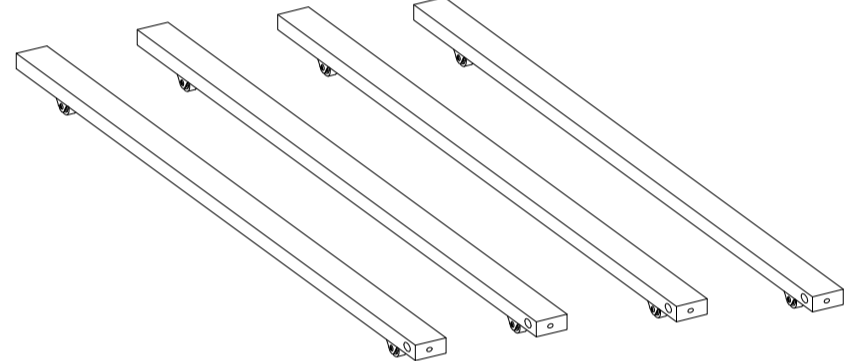
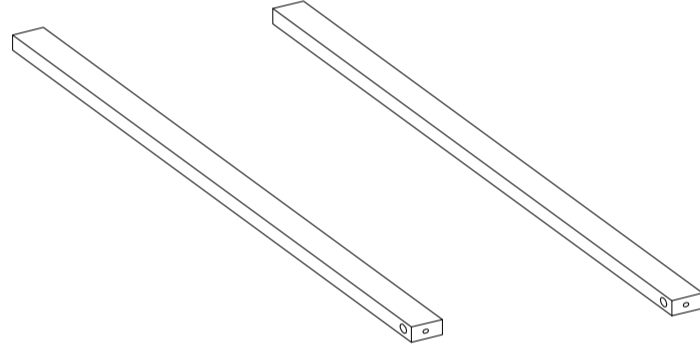
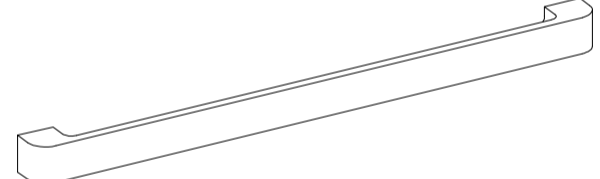
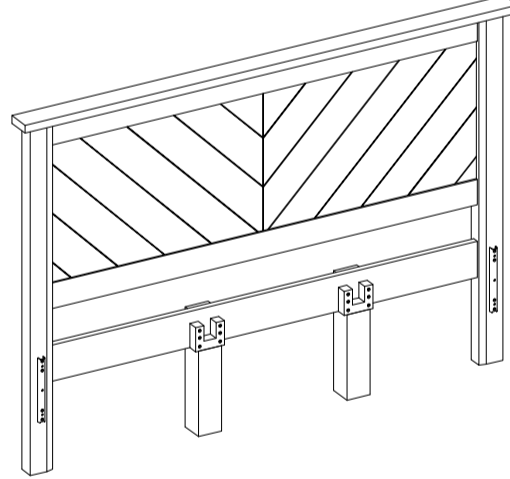
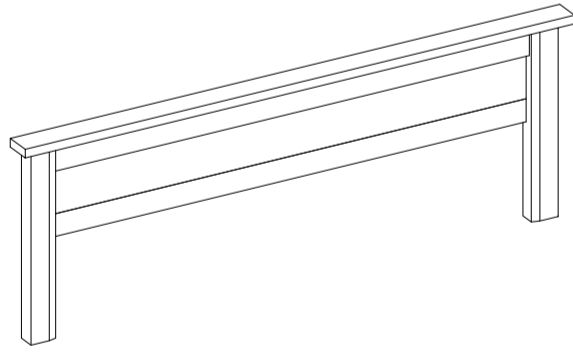
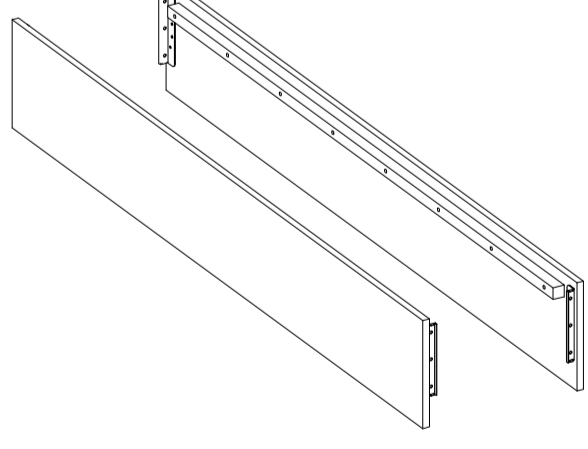
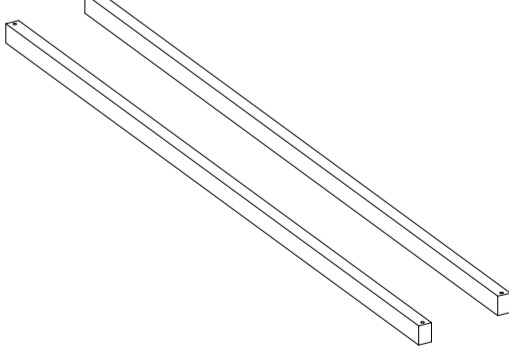
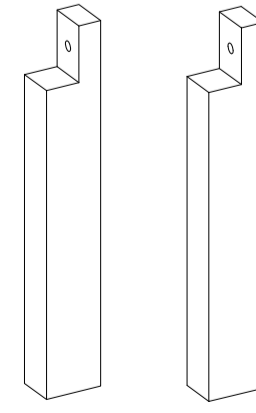
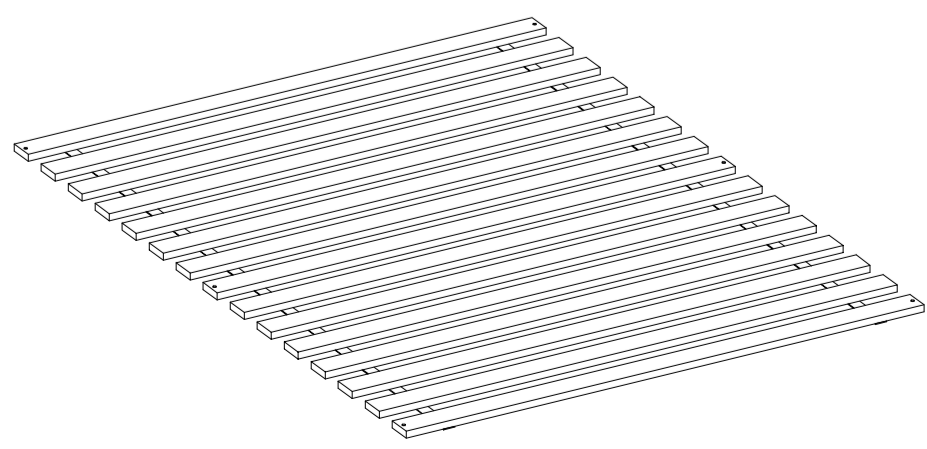
## Contents

Before getting started, ensure the package contains the following components:

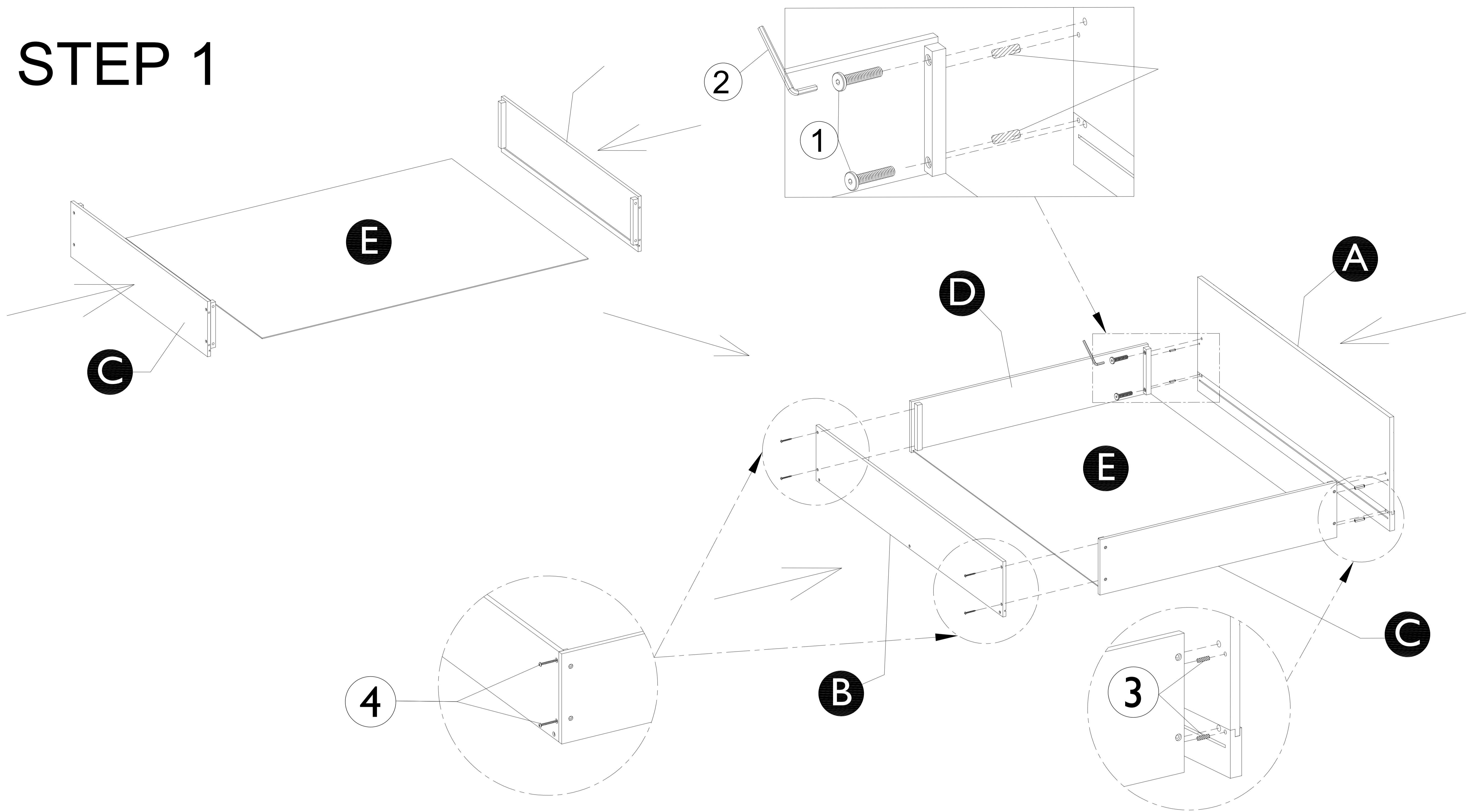
①	8	Bolts M6x25	
②	1	Allen Key K4	
③	8	wood dowel Ø6x20	
④	14	Screws Ø4x25	
⑤	12	Bolts M6	
⑥	1	Alen key K5	
⑦	2	Bolts M6x35	
⑧	4	Screws Ø4x50	
⑨	12	Screws Ø4x35	
⑩	4	Bolts M4x25	

## Contents

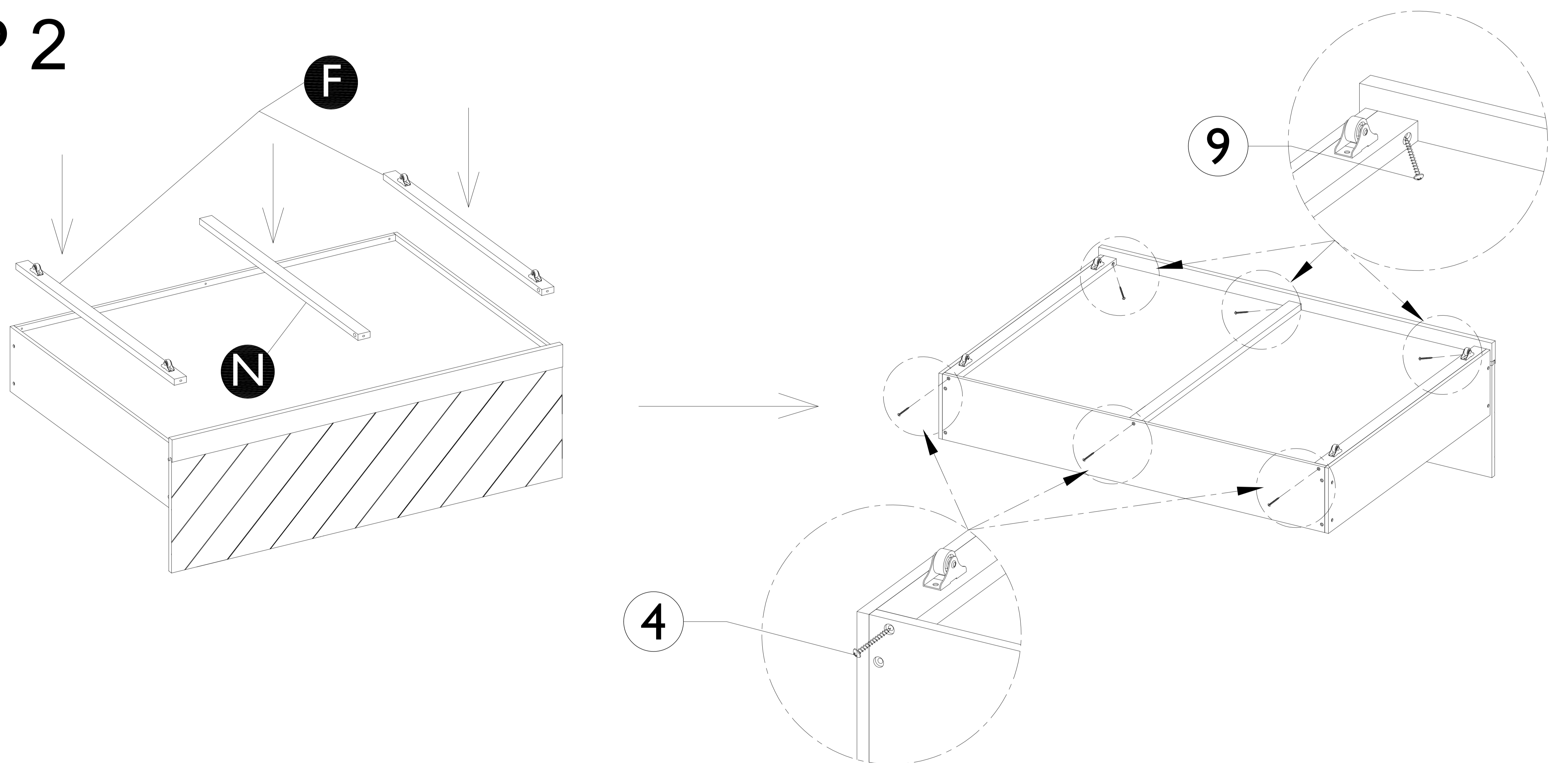
Before getting started, ensure the package contains the following components:

<b>A</b>	2	Front of drawer	
<b>B</b>	2	Back of drawer	
<b>C</b>	2	Left of drawer	
<b>D</b>	2	Right of drawer	
<b>E</b>	2	Bottom of drawer	
<b>F</b>	4	Bottom support of drawer	
<b>N</b>	2	Bottom support of drawer	
<b>J</b>	2	Handle	
<b>G</b>	1	Headboard	
<b>H</b>	1	Footboard	
<b>I</b>	2	Side rails	
<b>K</b>	2	Center rail	
<b>L</b>	2	Center Legs	
<b>M</b>	1	Set of webbed Slats	

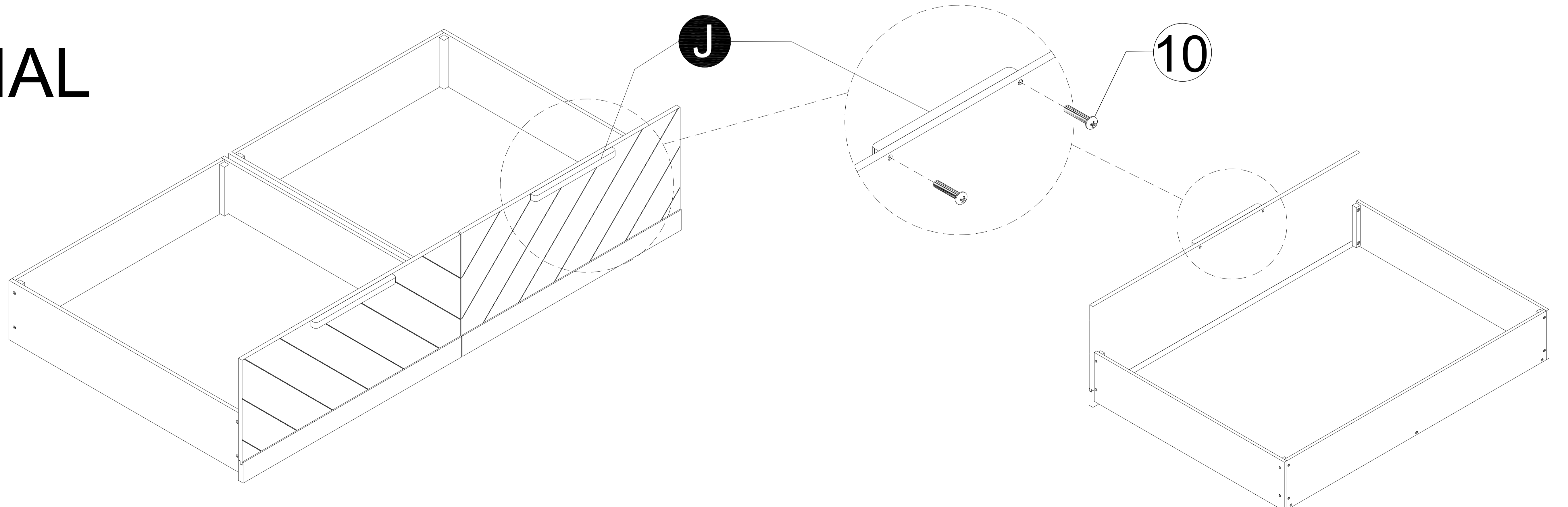
# STEP 1



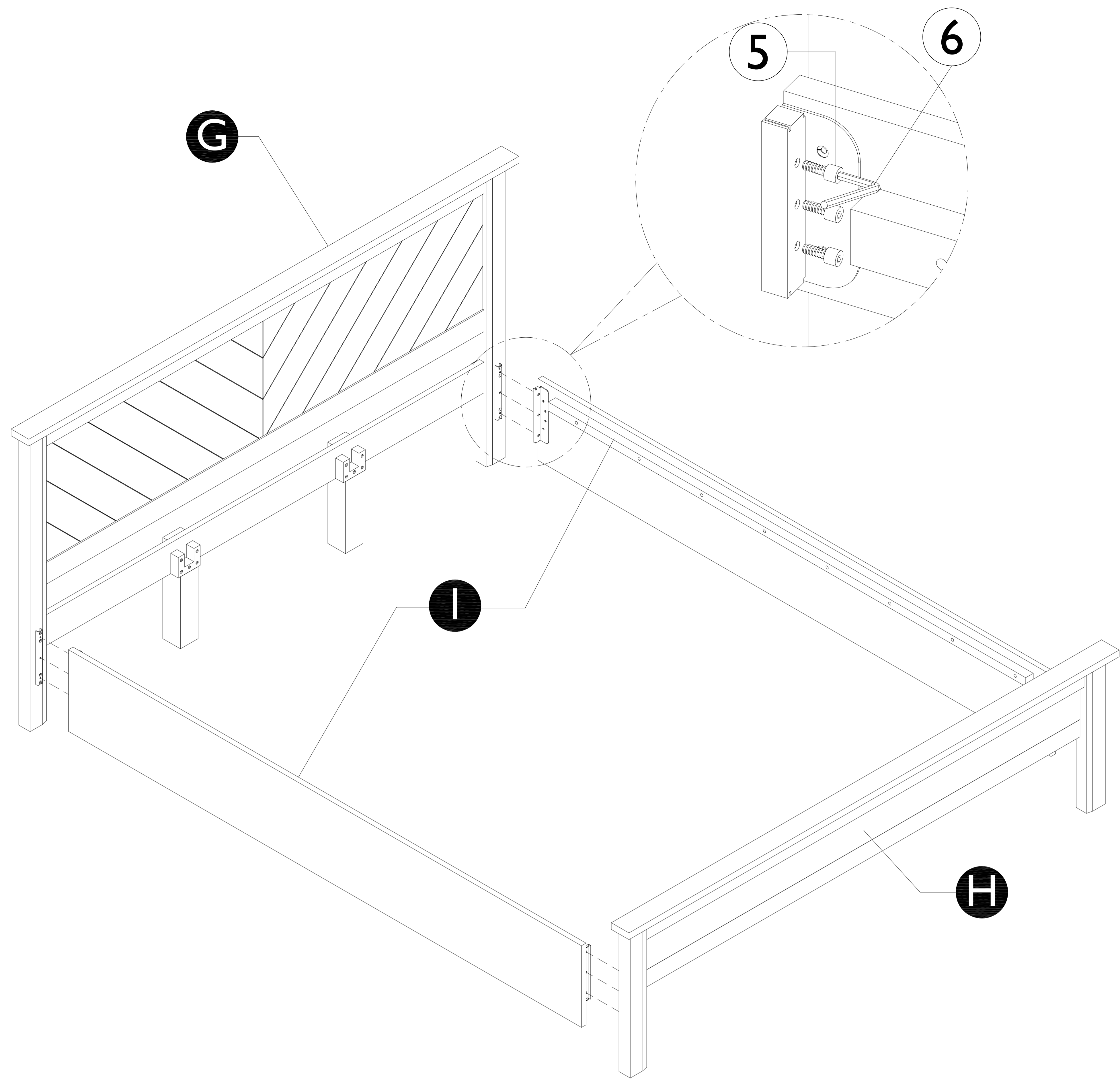
# STEP 2



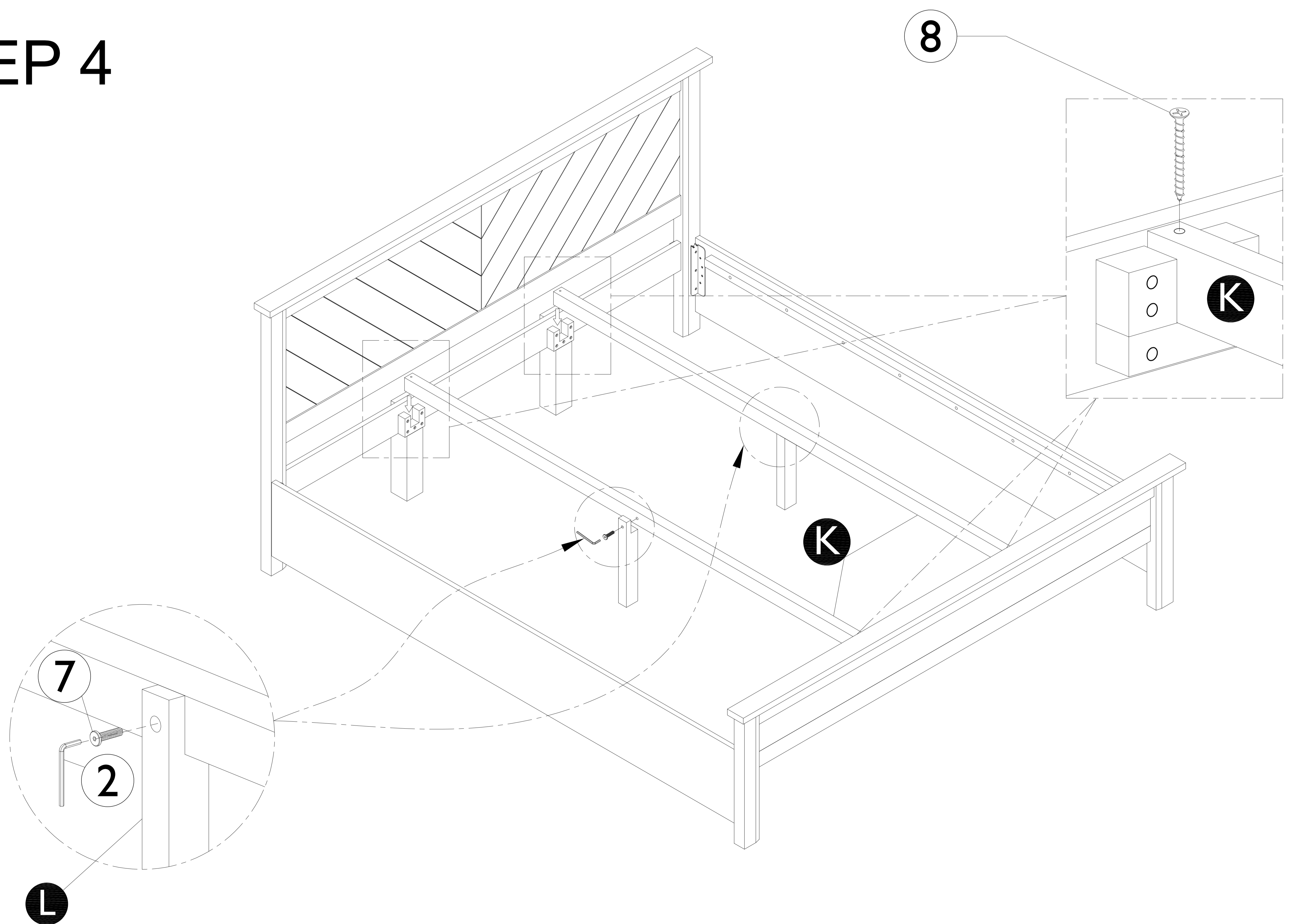
# FINAL



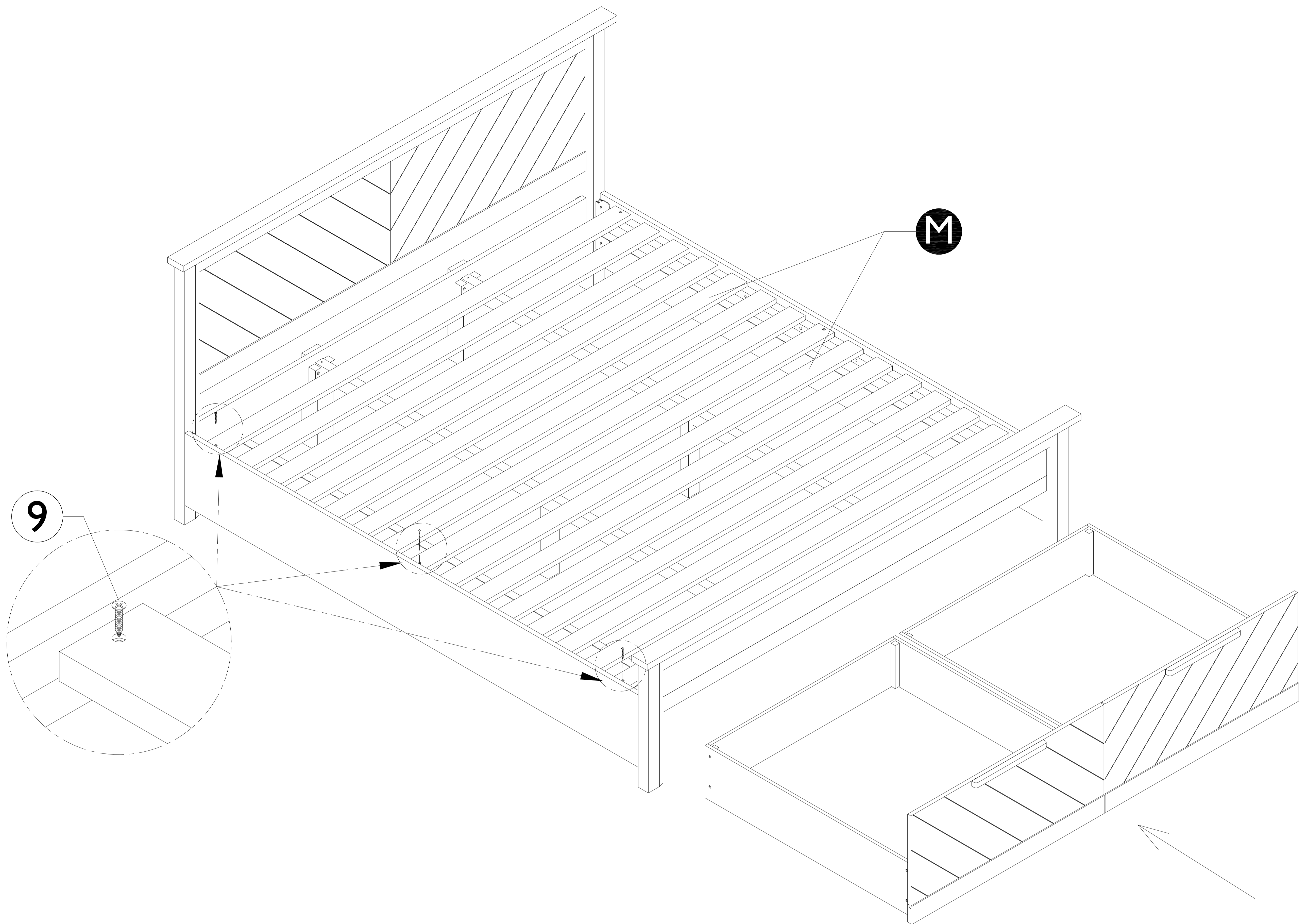
# STEP 3



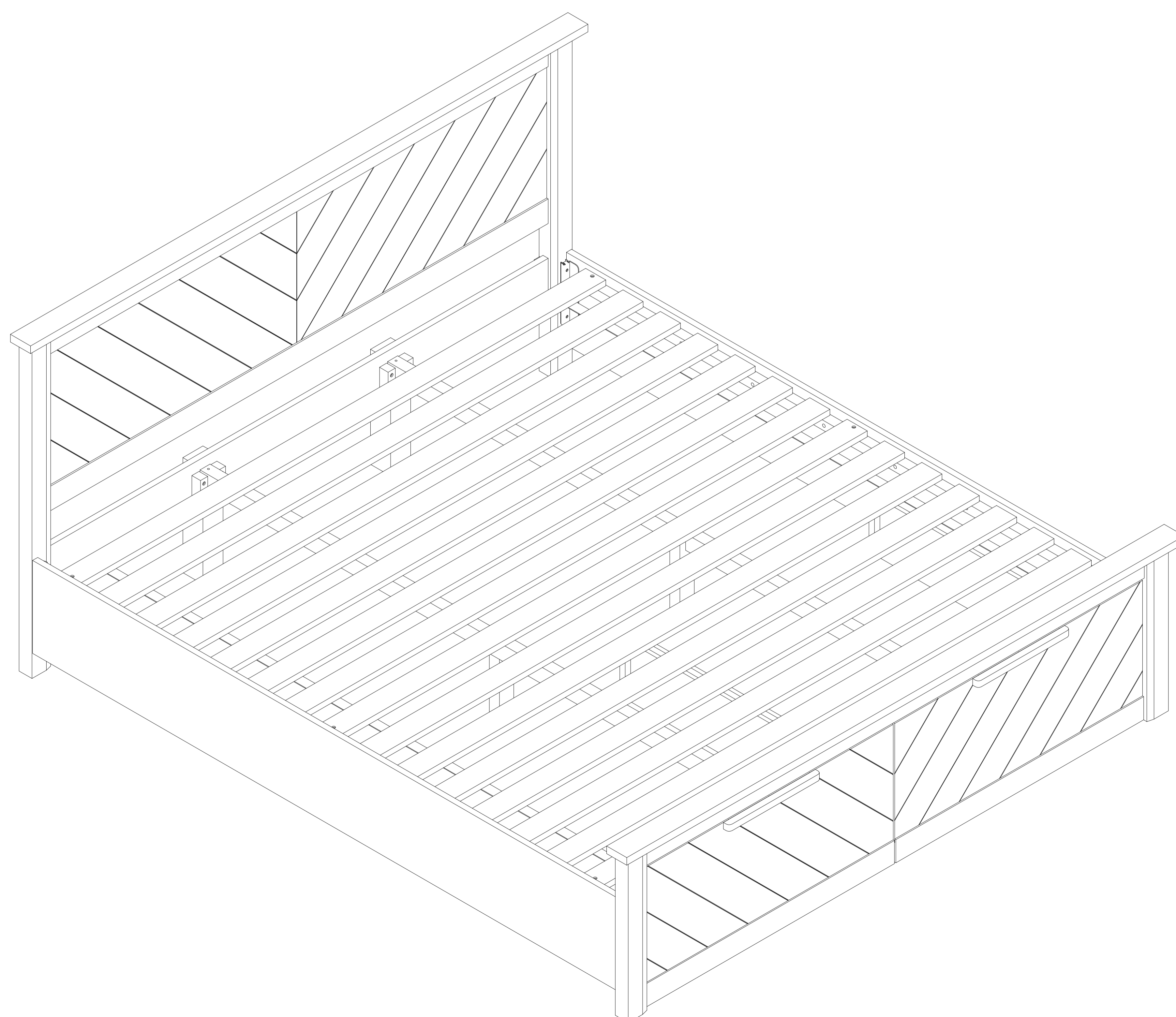
# STEP 4



# STEP 5



# FINAL



# Caring for your New Limelight product

- When assembling your product please ensure that you have checked the contents for all relevant parts.
- When tightening bolts, make sure that they are fully tightened but not forced

## BEDS WITH CENTRE LEGS

- PLEASE NOTE THE RECOMMENDED PROCESS FOR ADJUSTING CENTRE LEGS WHEN ASSEMBLING YOUR BED.
- BEFORE PLACING THE MATTRESS ON THE BASE, PLEASE ENSURE THAT THE SUPPORT LEGS ARE NOT QUITE TOUCHING THE FLOOR. WHEN THE BED IS THEN IN USE THE SUPPORT LEGS WILL SIT FIRMLY ON THE SOLID SURFACE.
- PLEASE ENSURE THAT THE LEGS ARE VERTICAL.
- **DUE TO THE NATURE OF LAMINATE FLOORING WE RECOMMEND THAT YOU PLACE A SMALL PIECE OF NON SLIP MATERIAL UNDER THE LEGS WHICH WILL GIVE YOU THE FLEXIBILITY THAT THE ADJUSTERS NEED.**
- WHEN MOVING THE BED IT IS ESSENTIAL THAT IT IS LIFTED INTO THE NEW POSITION. NEVER DRAG THE BED AS THIS WILL MOVE THE LEGS FROM THE VERTICAL POSITION THUS WEAKENING THE SUPPORT OF THE CENTRE RAIL.
- ADHERING TO THE RECOMMENDED PROCESS SHOULD ENSURE THAT YOUR BED GIVES YOU YEARS OF TROUBLEFREE SERVICE.
- It is advisable to use approved cleaning products when cleaning our products as certain chemical based cleaners could have an adverse effect on the bed finish.
- All Limelight beds are produced to the highest standards and are packed to avoid damage in transit, should you find that your new bed does not meet with your satisfaction please contact Limelight customer care on 01455 850150.
- **PLEASE NOTE: GOODS THAT NEED TO BE RETURNED SHOULD BE SENT BACK IN ORIGINAL PACKAGING.**

## PROBLEMS?

SHOULD YOU ENCOUNTER ANY DIFFICULTY WITH THE  
ASSEMBLY OF YOUR BED,  
PLEASE DO NOT TROUBLE YOUR RETAILER BUT  
CALL or E-MAIL our  
CUSTOMER SERVICES DEPARTMENT  
BETWEEN THE HOURS OF  
9.00am to 5.00pm MONDAY to THURSDAY  
9.00am to 4.00pm FRIDAY

Tel:-01455 850150

E-mail: - [info@limelightbeds.co.uk](mailto:info@limelightbeds.co.uk)

Limelight Beds Ltd

Orbital House

Arthur Street

Barwell

Leicestershire

LE9 8GZ

Please have the following information ready for our staff:

Product name, part number & batch code

See our range on Web Site: - [www.limelightbeds.co.uk](http://www.limelightbeds.co.uk)