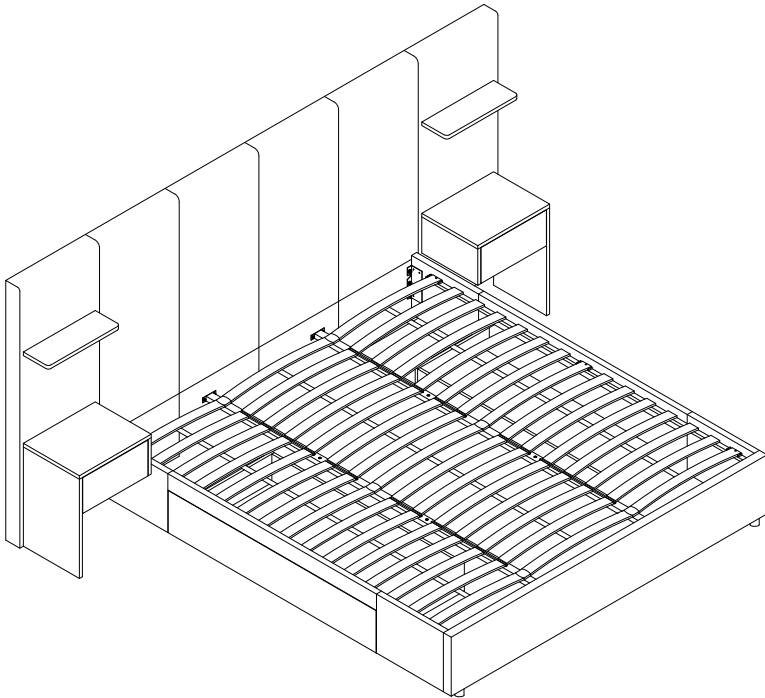


# ASSEMBLY INSTRUCTION



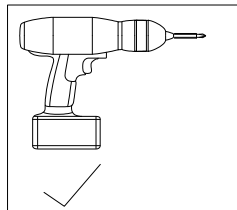
Please **TEAR OFF** this shrink film from side!  
**DO NOT USE CUTTER!**

## IMPORTANT NOTE

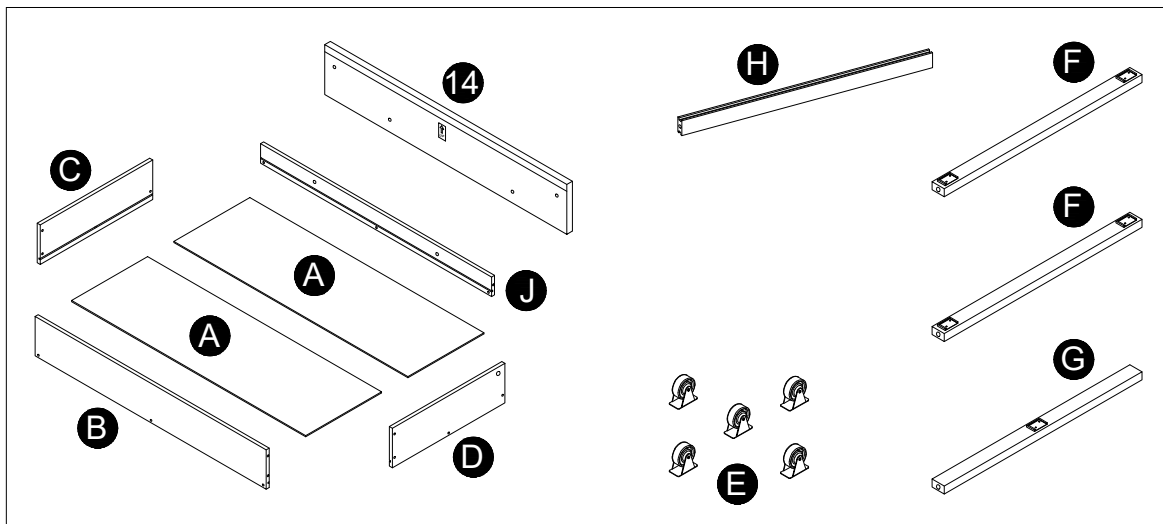
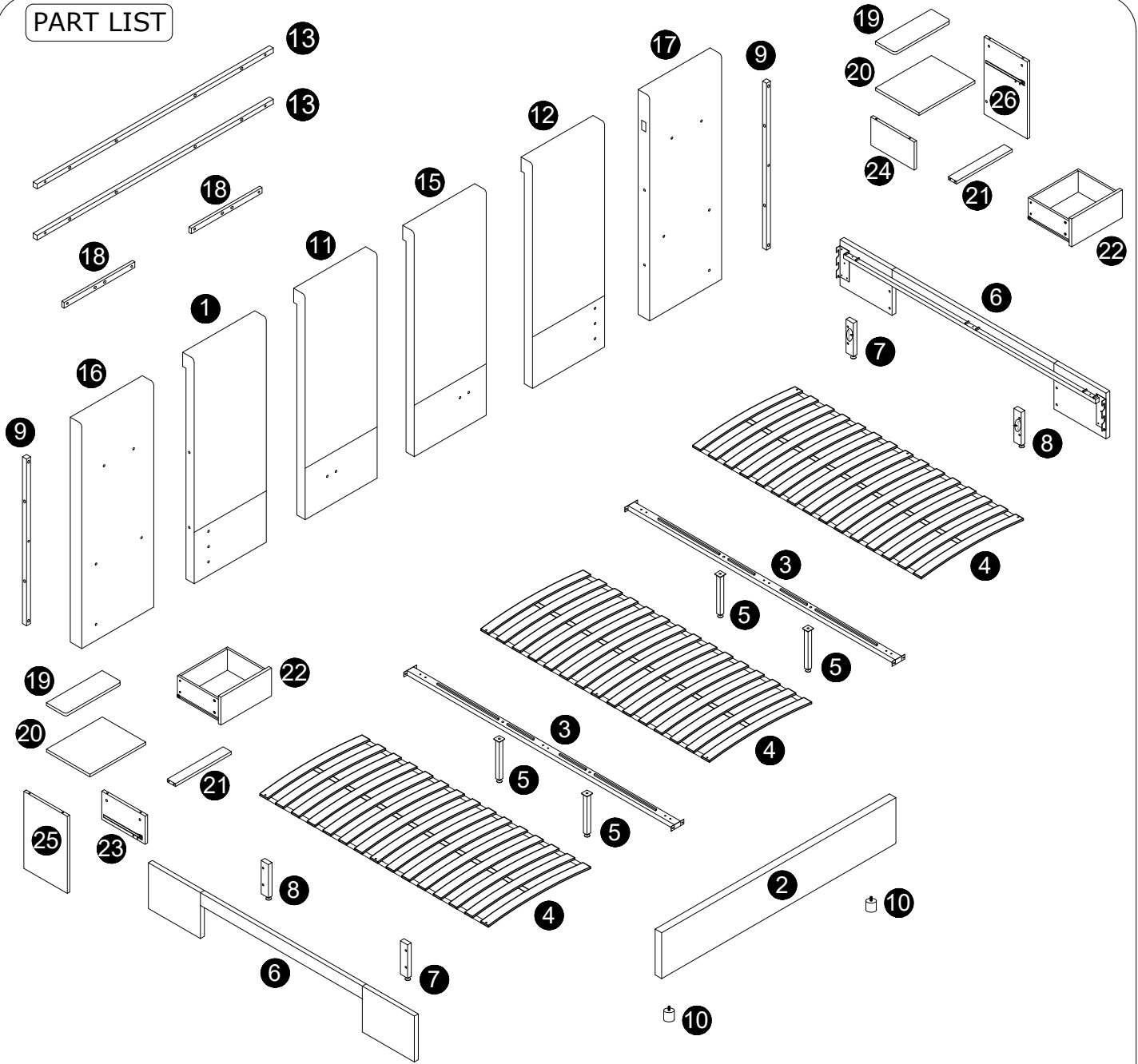
- 1. The product is shipped in two packages. Please check the number of packages received before assembly. If you are missing one package, receive a duplicate package, or have any assembly or after-sales issues, please contact us.**
2. For the protection of your furniture, place all parts on a clean and smooth surface to prevent any damage.
3. Keep fittings out of children's reach and keep children well away from construction area.
4. When moving your assembled bed. it is best to lift the bed and never to drag it.
5. Do not use this product if parts are missing, damaged or worn.
6. This product should only be used on firm, level ground.
7. Please periodically check all fittings and re-tighten as necessary.
8. Do not use the bed unless all bolts and screws are firmly secured.
9. For further assistance, please provide a screenshot of your order and contact us via email.



Minimum two  
person assembly

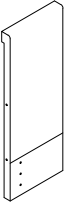
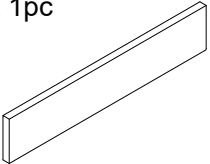

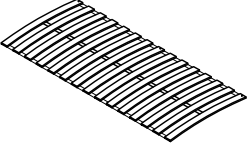

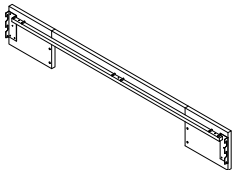




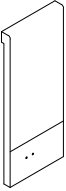
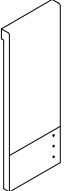
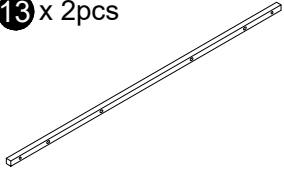
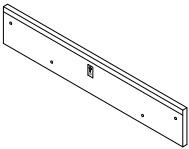

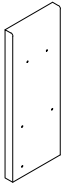
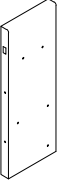
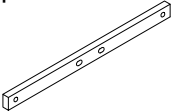
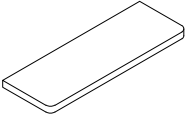
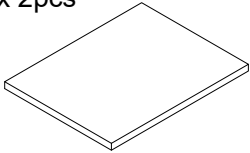
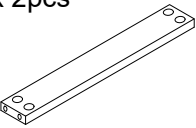
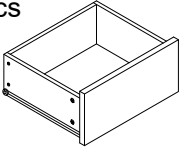
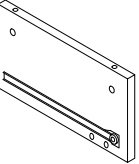
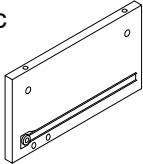
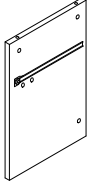
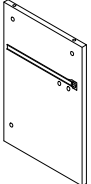

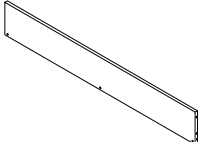
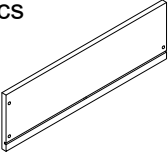
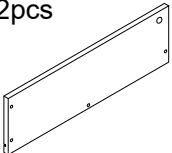

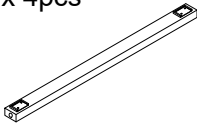
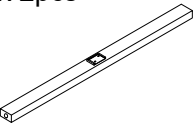

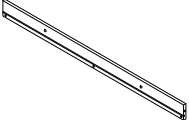


PART LIST




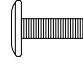
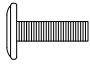


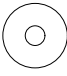



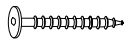
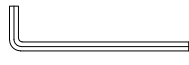
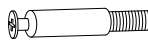


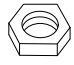

x2

**PART LIST**

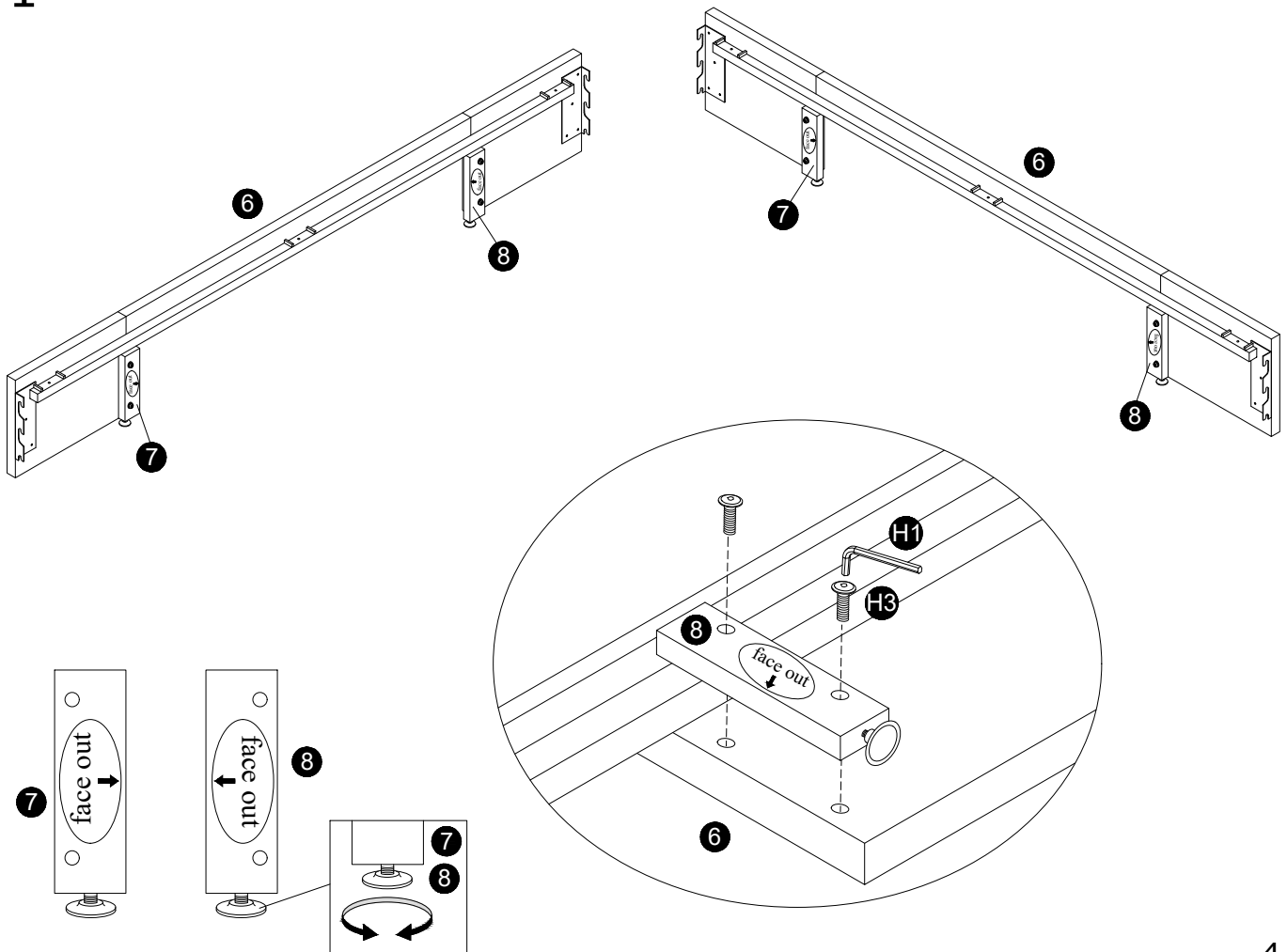
<b>1</b> x 1pc 	<b>2</b> x 1pc 	<b>3</b> x 2pcs 	<b>4</b> x 3pcs 
<b>5</b> x 4pcs 	<b>6</b> x 2pcs 	<b>7</b> x 2pcs 	<b>8</b> x 2pcs 
<b>9</b> x 2pcs 	<b>10</b> x 2pcs 	<b>11</b> x 1pc 	<b>12</b> x 1pc 
<b>13</b> x 2pcs 	<b>14</b> x 2pcs 	<b>15</b> x 1pc 	<b>16</b> x 1pc 
<b>17</b> x 1pc 	<b>18</b> x 2pcs 	<b>19</b> x 2pcs 	<b>20</b> x 2pcs 
<b>21</b> x 2pcs 	<b>22</b> x 2pcs 	<b>23</b> x 1pc 	<b>24</b> x 1pc 
<b>25</b> x 1pc 	<b>26</b> x 1pc 	<b>A</b> x 4pcs 	<b>B</b> x 2pcs 
<b>C</b> x 2pcs 	<b>D</b> x 2pcs 	<b>E</b> x 10pcs 	<b>F</b> x 4pcs 
<b>G</b> x 2pcs 	<b>H</b> x 2pcs 	<b>J</b> x 2pcs 	

**Please ensure to thoroughly inspect the small inner cardboard box containing the hardware, which are tied with a red string, before disposing of the box.**

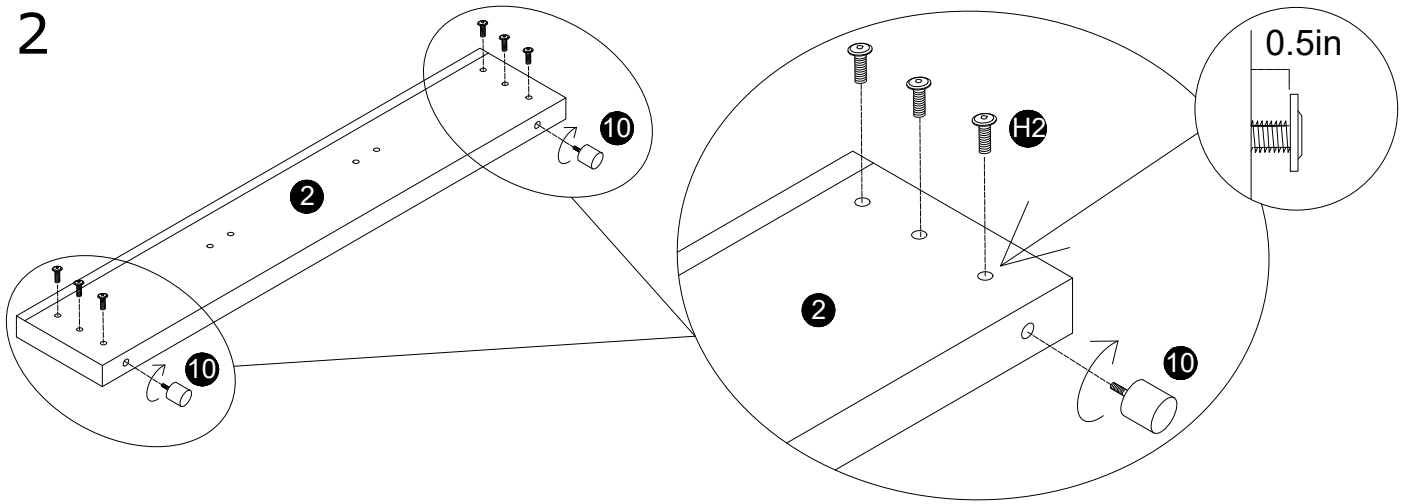
**HARDWARE LIST**

 <b>H1</b> M5 x 1pc	 <b>H2</b> M8x30mm x 32pcs	 <b>H3</b> M8x45mm x 34pcs	 <b>H4</b> x 10pcs
 <b>H5</b> M8 x 28pcs	 <b>H6</b> M8x22mm x 28pcs	 <b>H7</b> x 16pcs (Blue)	 <b>H8</b> x 6pcs
 <b>H9</b> x 6pcs	 <b>H10</b> M6x45mm x 28pcs	 <b>H11</b> M4 x 1pc	 <b>H12</b> x 4pcs (Black)
 <b>H13</b> x 20pcs	 <b>H14</b> M6x100mm x 10pcs	 <b>H15</b> M6 x 10pcs	 <b>H16</b> M6 x 1pc

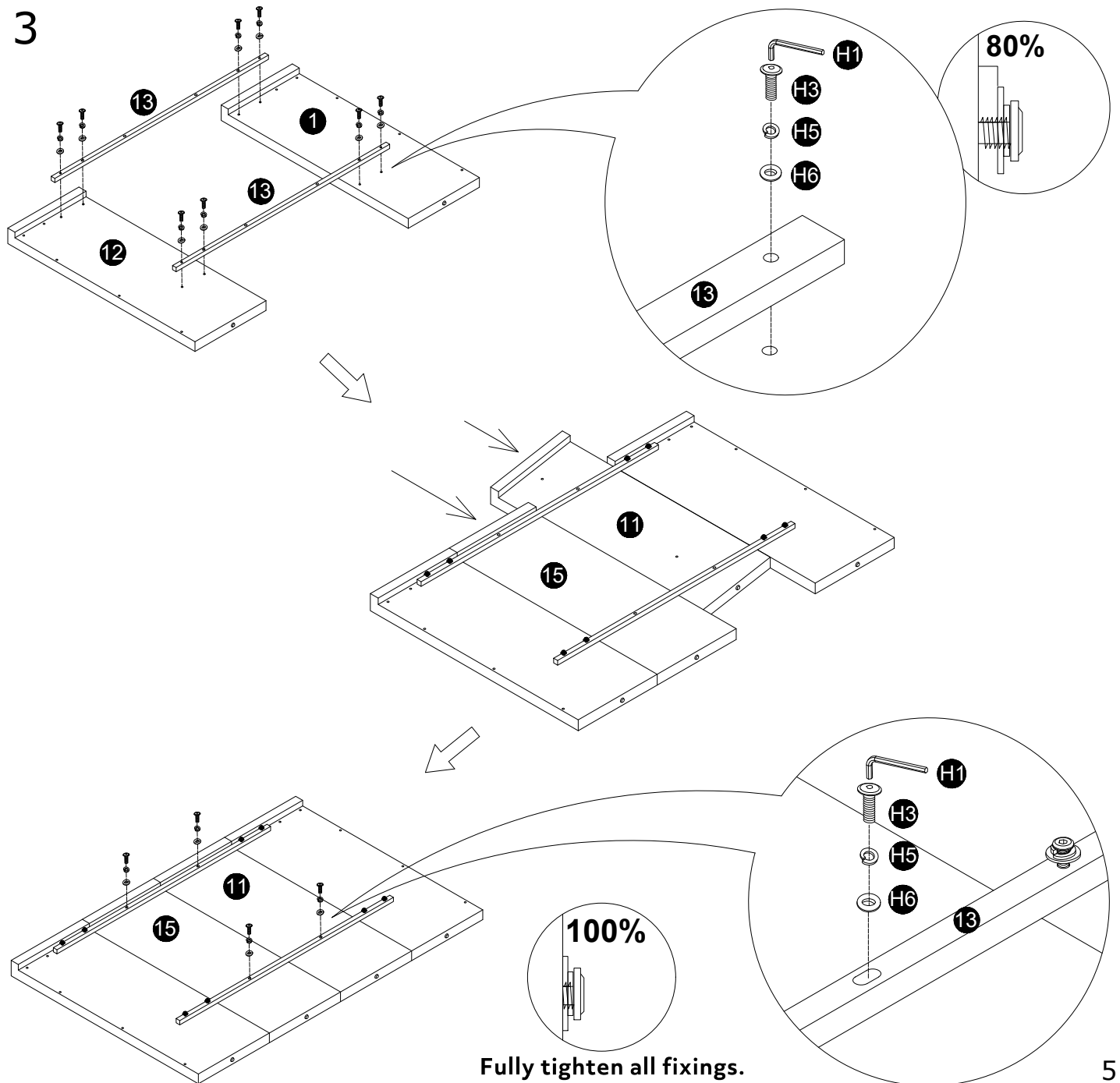
**1**



2

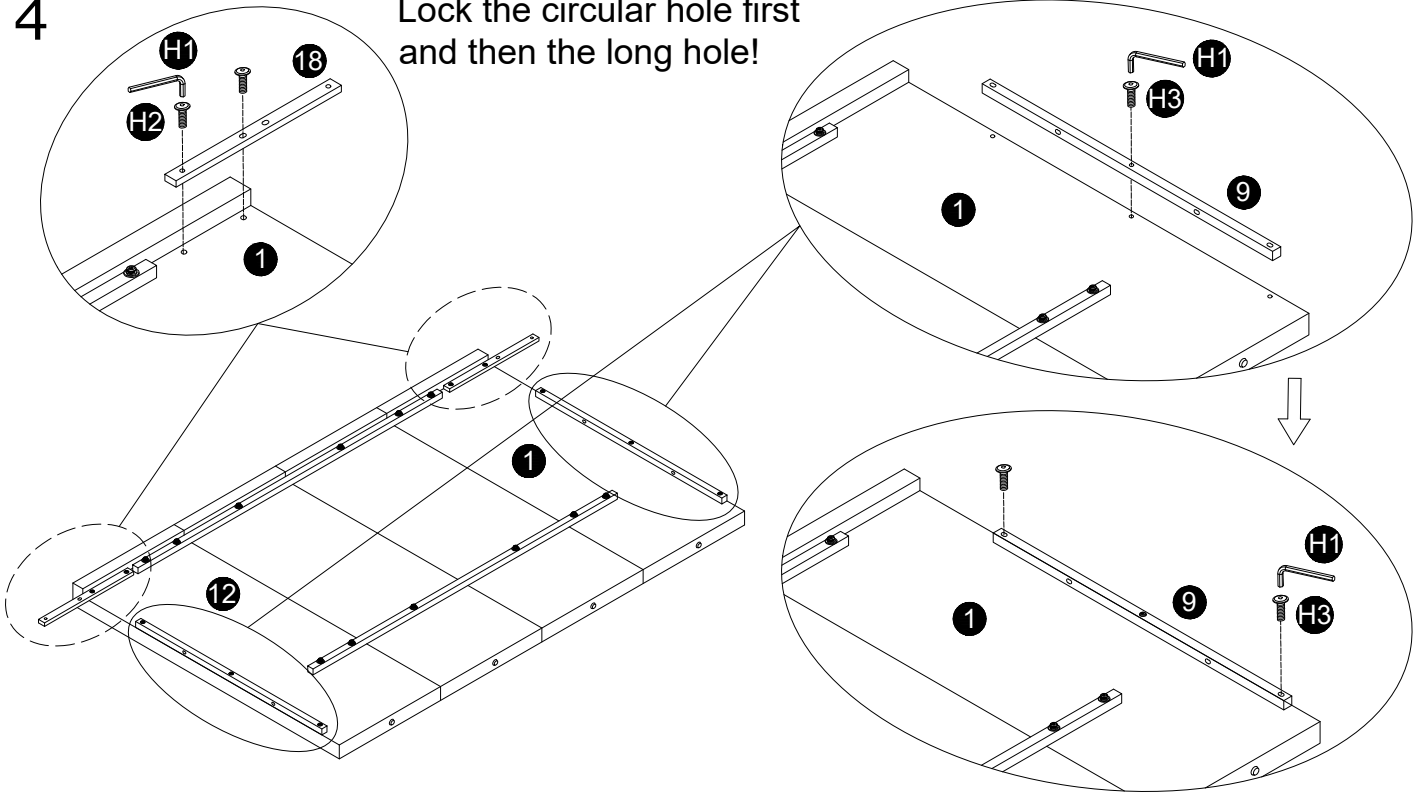


3



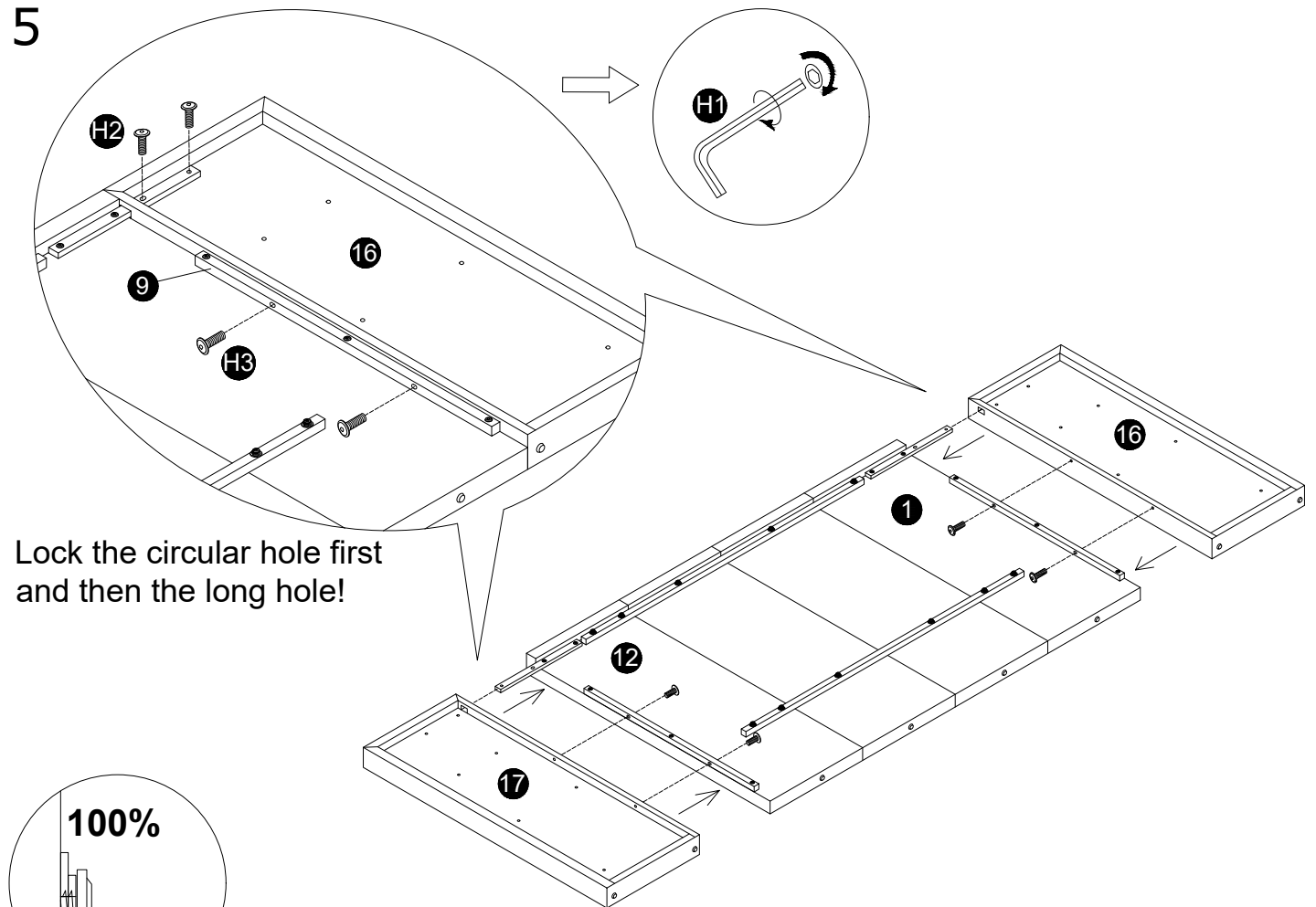
4

Lock the circular hole first and then the long hole!



5

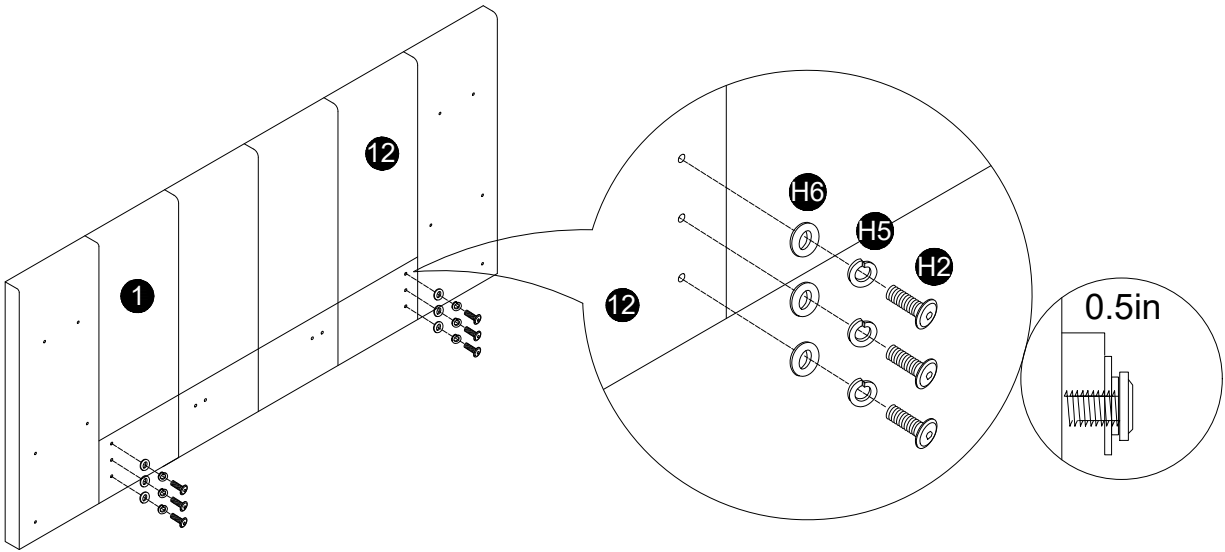
Lock the circular hole first and then the long hole!



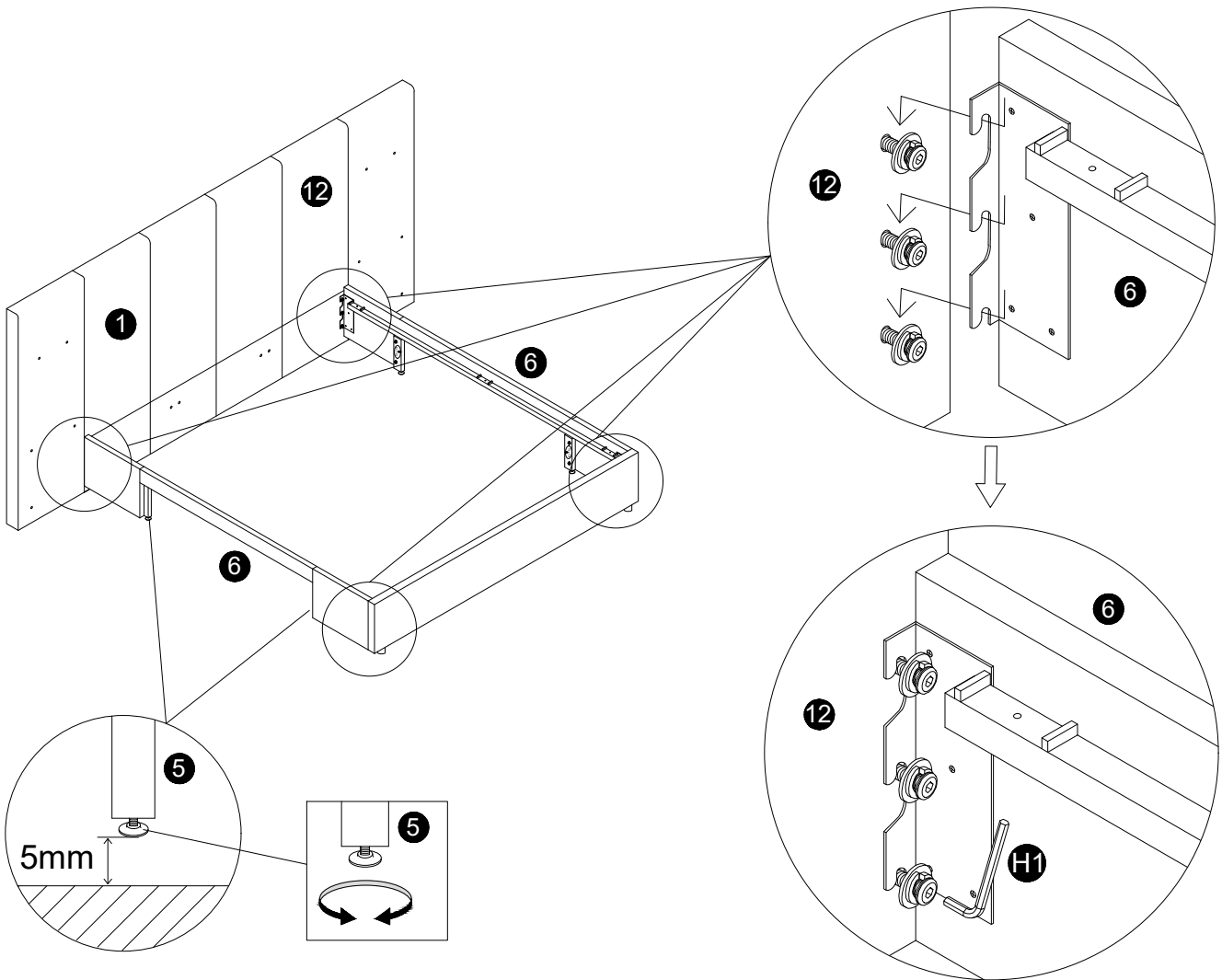
100%

Fully tighten all fixings.

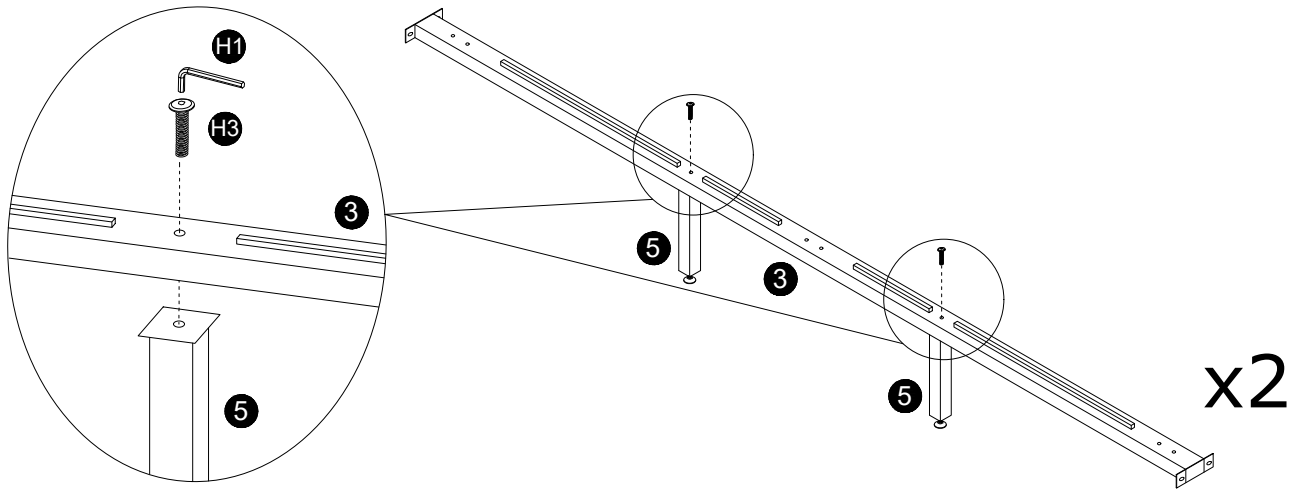
6



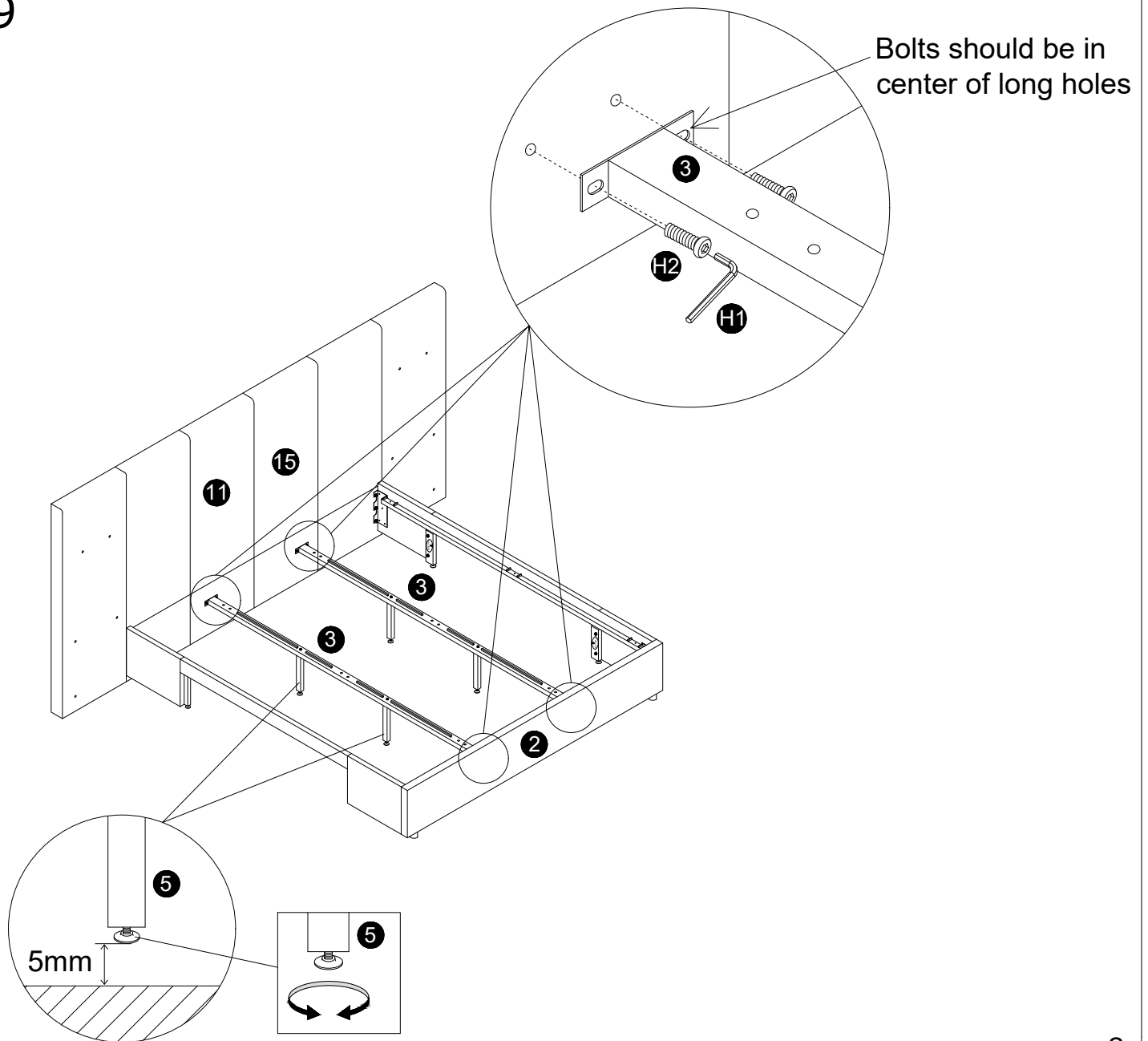
7



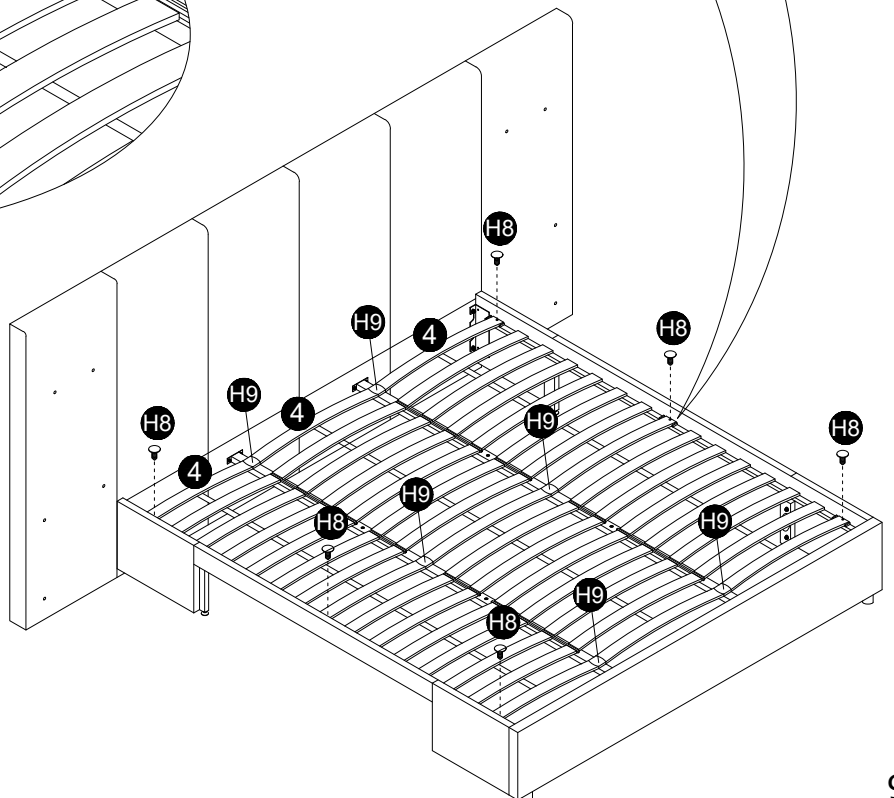
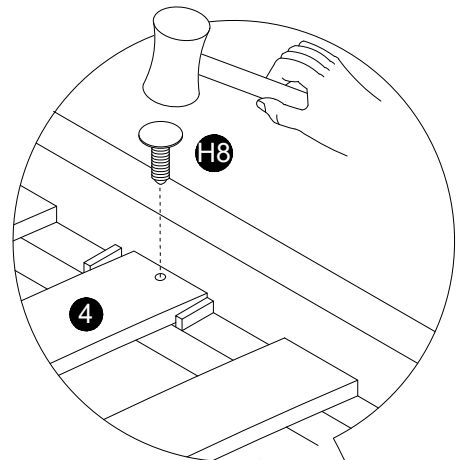
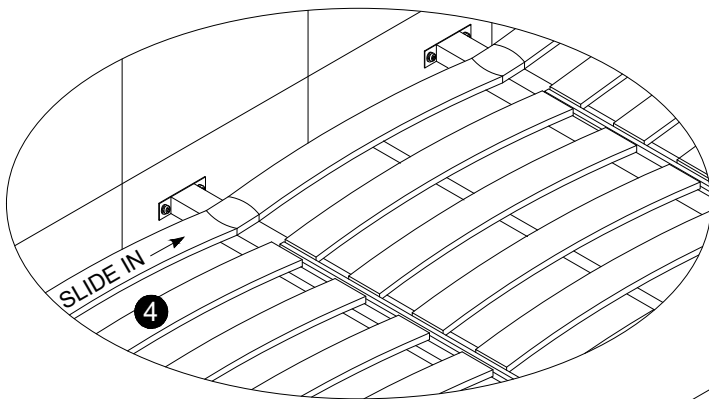
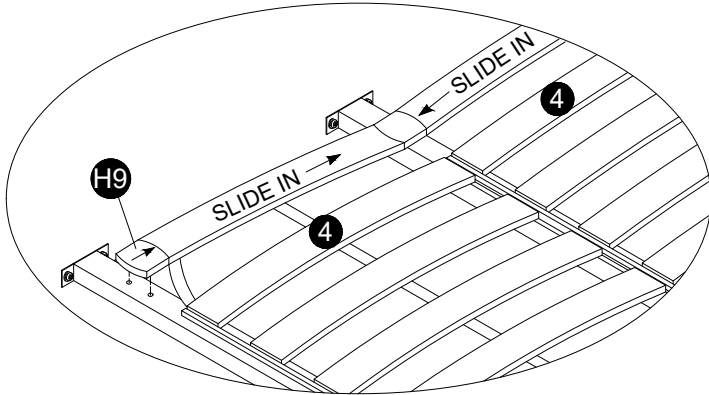
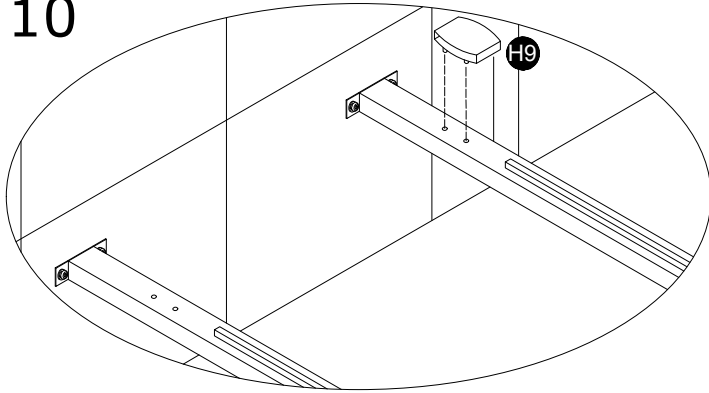
8



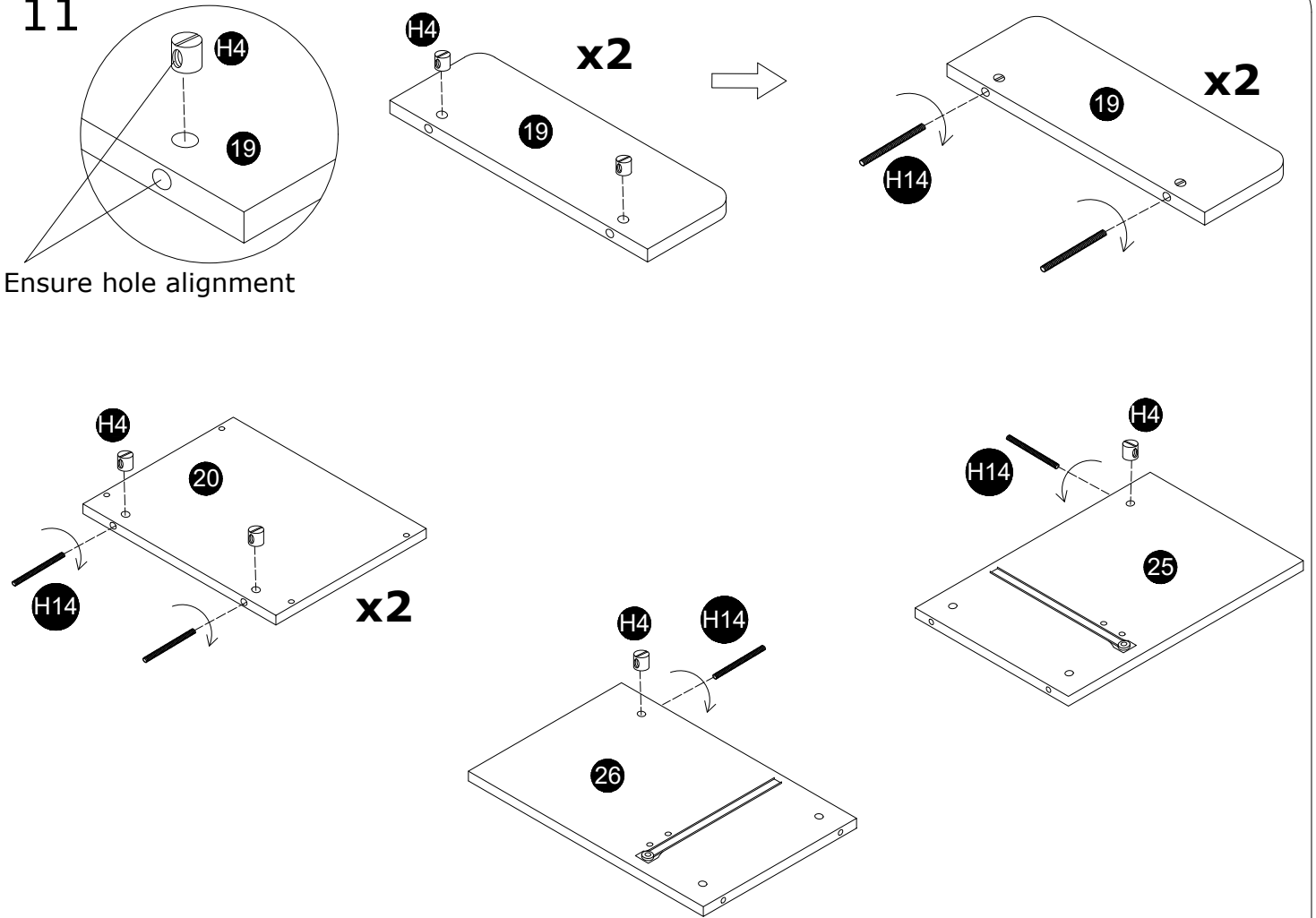
9



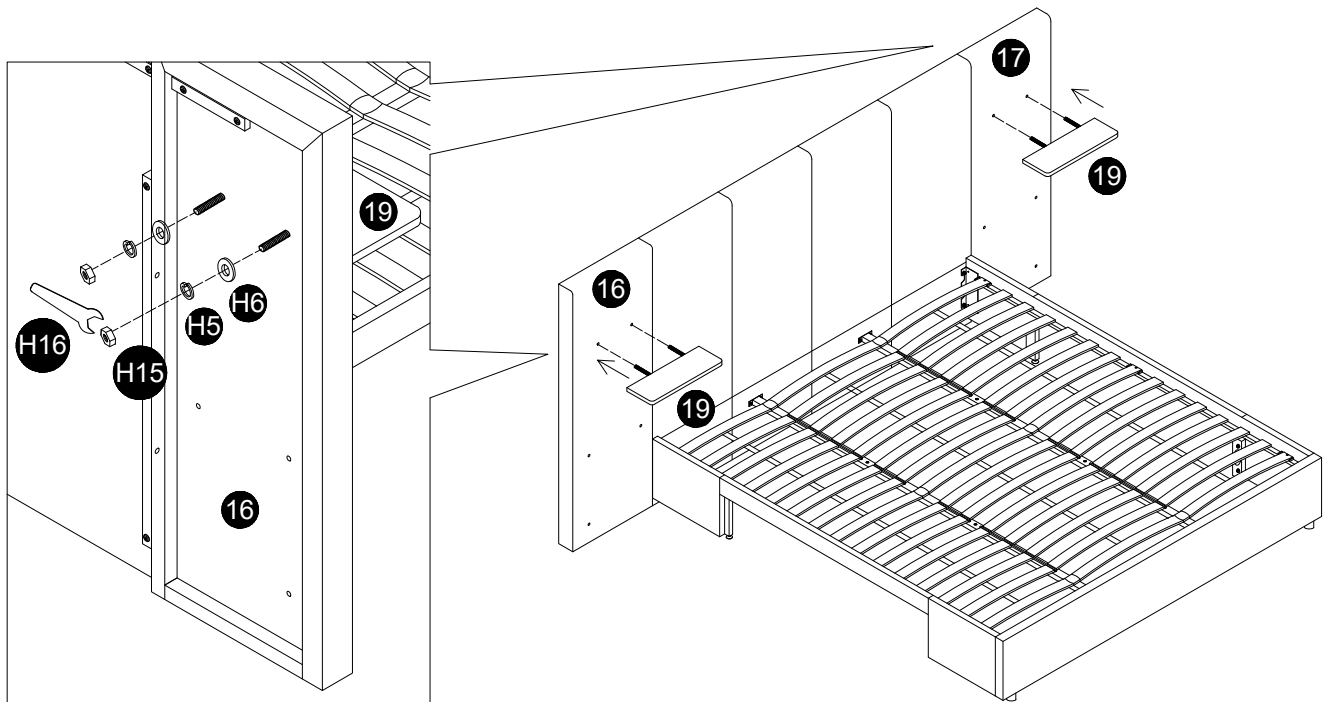
10



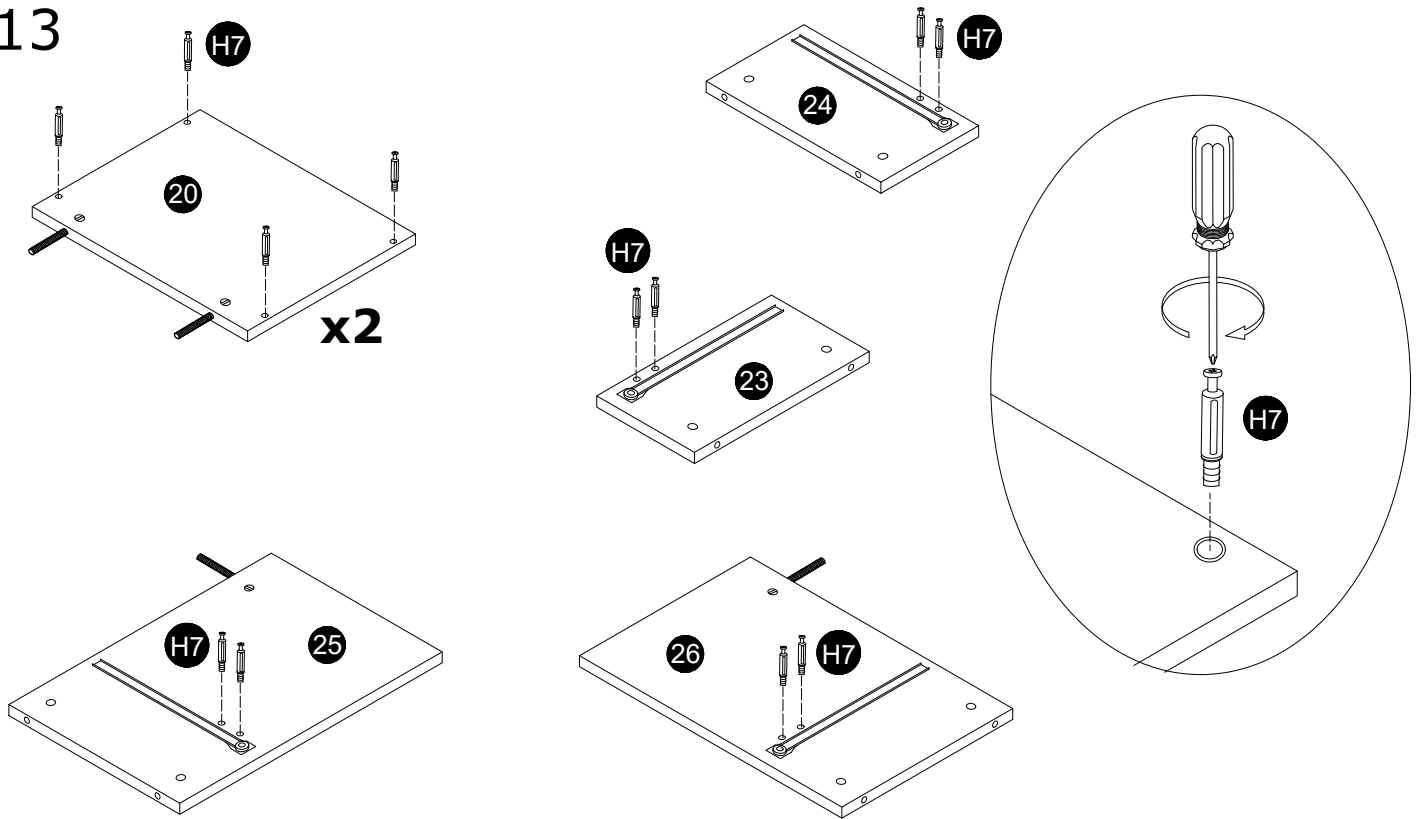
11



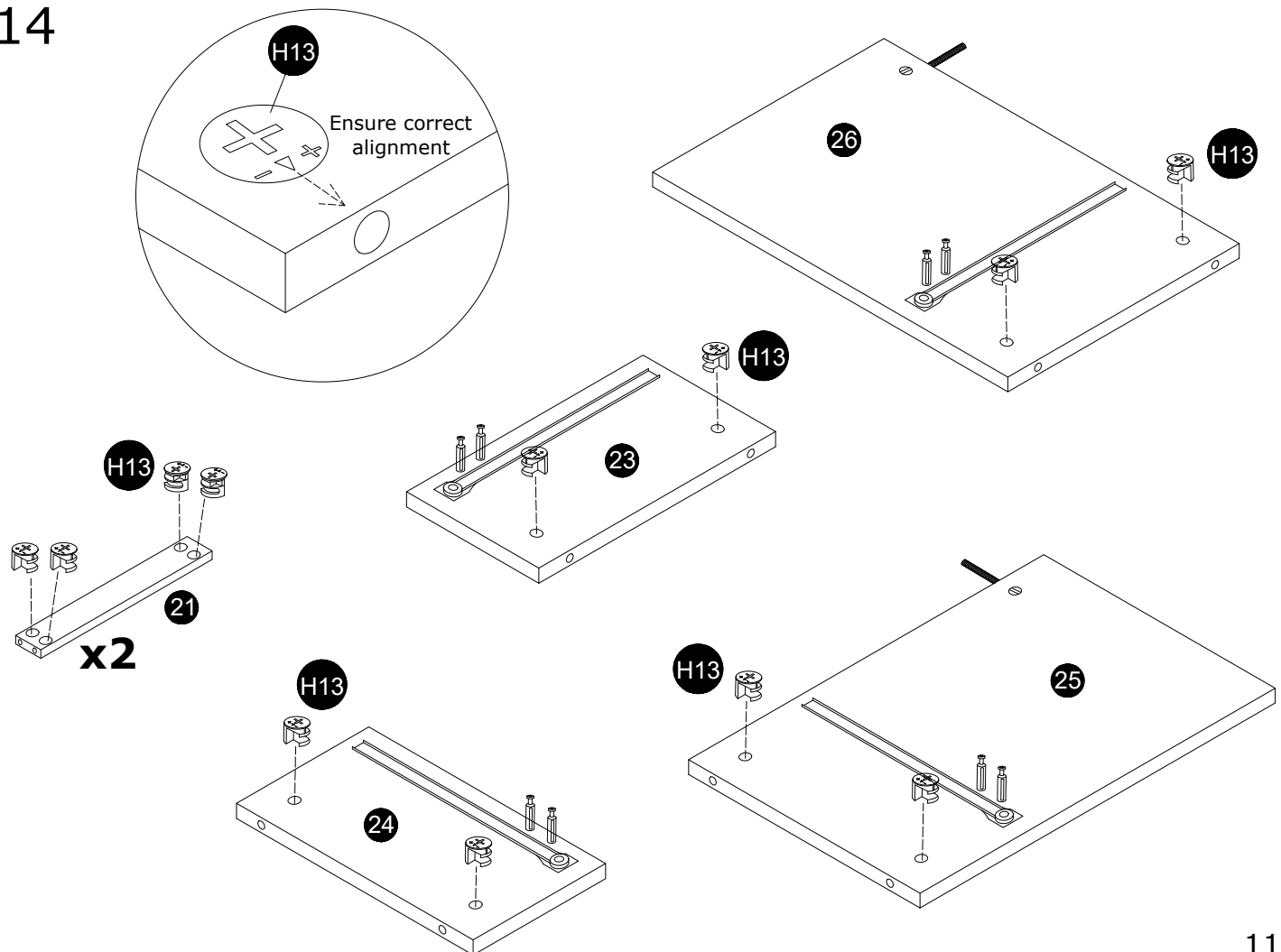
12



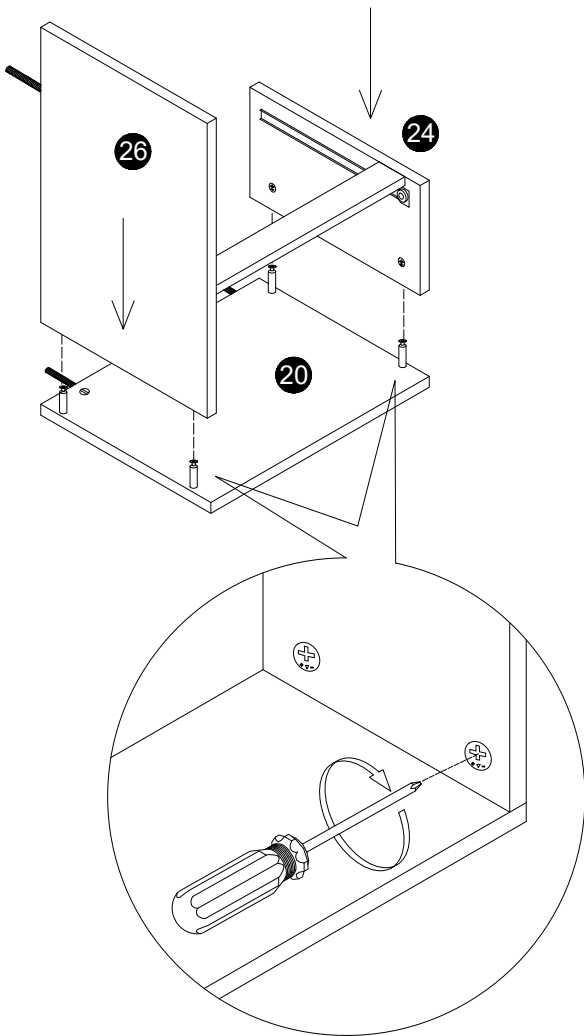
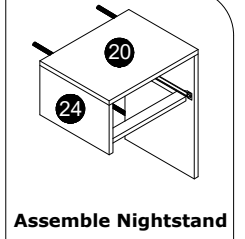
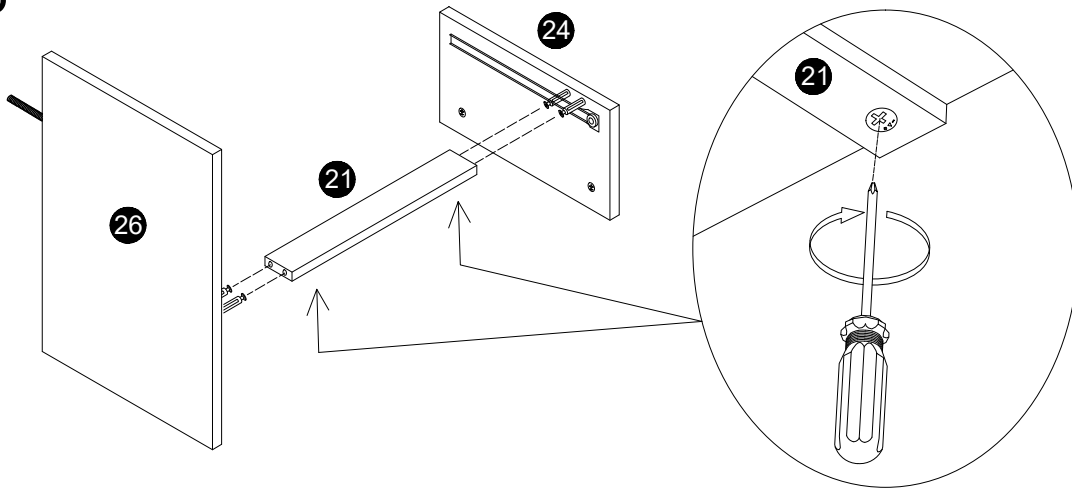
13



14



15



PUSH THE TWO PANELS TOGETHER ALLOWING THE DOWEL TO ALIGN WITH THE HOLE

If H12 cannot lock into H13, you can adjust H12 outward by 2mm.

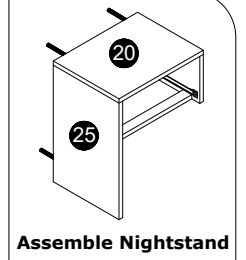
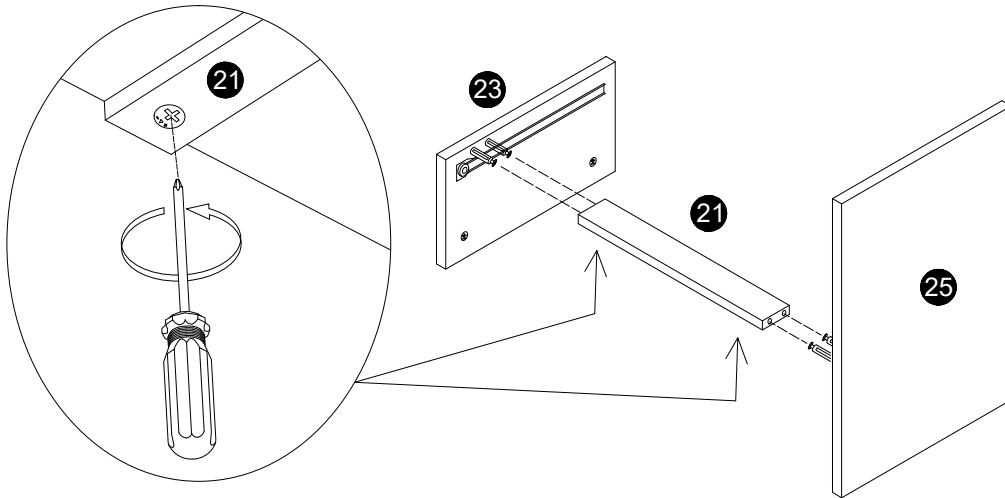
TURN THE CAM IN A CLOCKWISE DIRECTION

**DON'T STOP UNTIL THE 2 O'CLOCK LOCK**  
TURN THE CAM IN A CLOCKWISE DIRECTION UNTIL THE ARROW POINTS IN THE POSITIONS SHOWN IN THE DIAGRAMS BELOW

OPEN

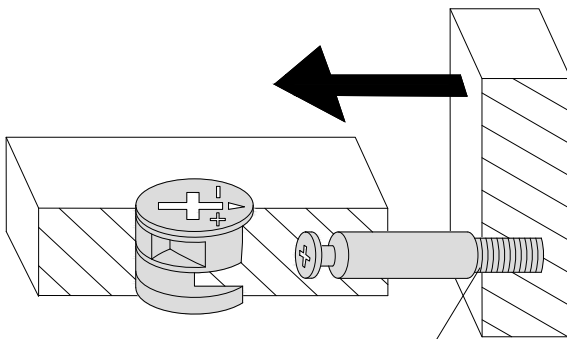
LOCKED

16



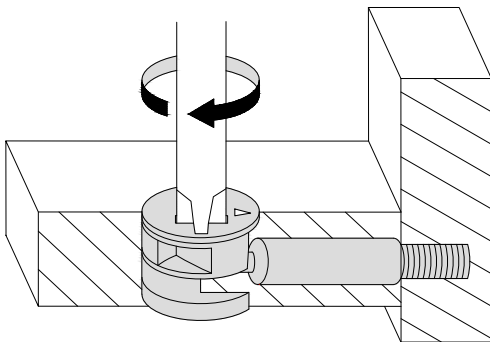
Assemble Nightstand

PUSH THE TWO PANELS TOGETHER ALLOWING THE DOWEL TO ALIGN WITH THE HOLE



If H12 cannot lock into H13, you can adjust H12 outward by 2mm.

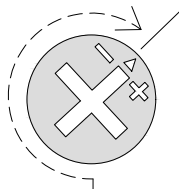
TURN THE CAM IN A CLOCKWISE DIRECTION



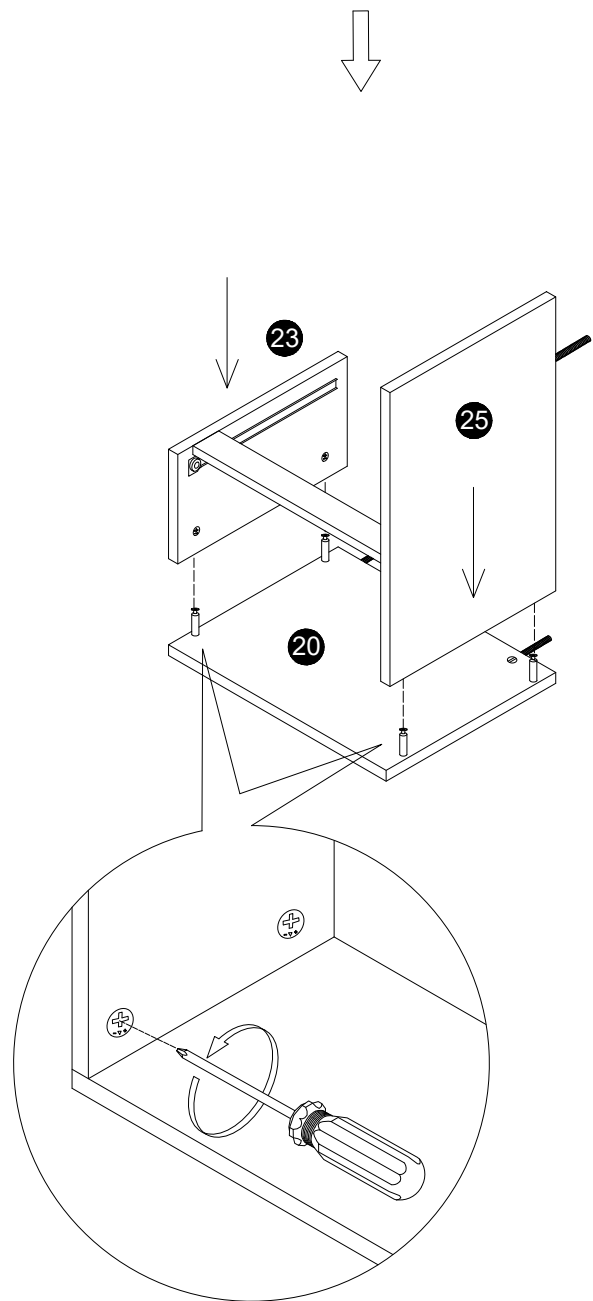
**DON'T STOP UNTIL THE 2 O'CLOCK LOCK**  
TURN THE CAM IN A CLOCKWISE DIRECTION UNTIL THE ARROW POINTS IN THE POSITIONS SHOWN IN THE DIAGRAMS BELOW



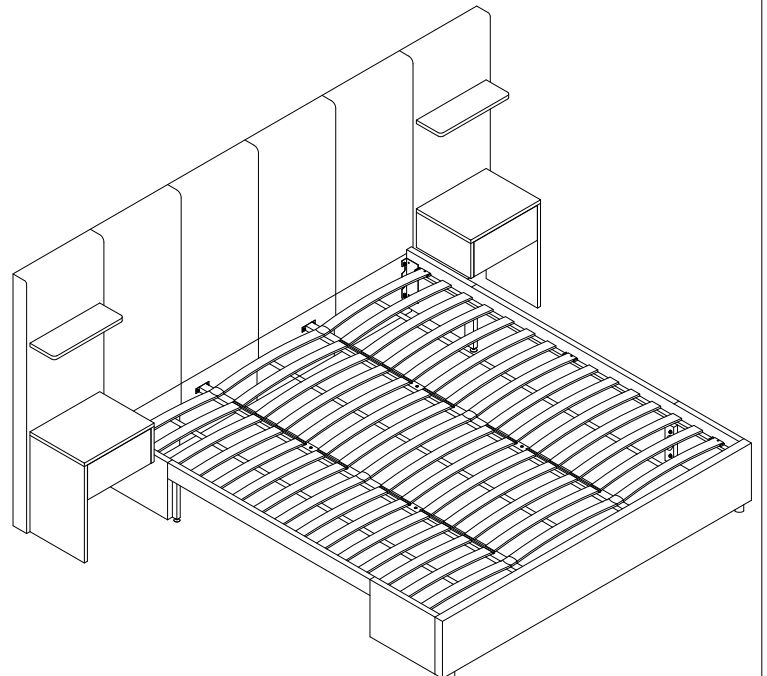
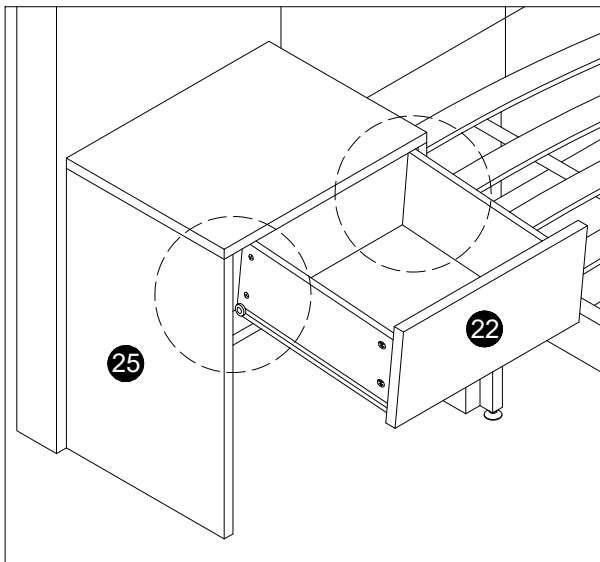
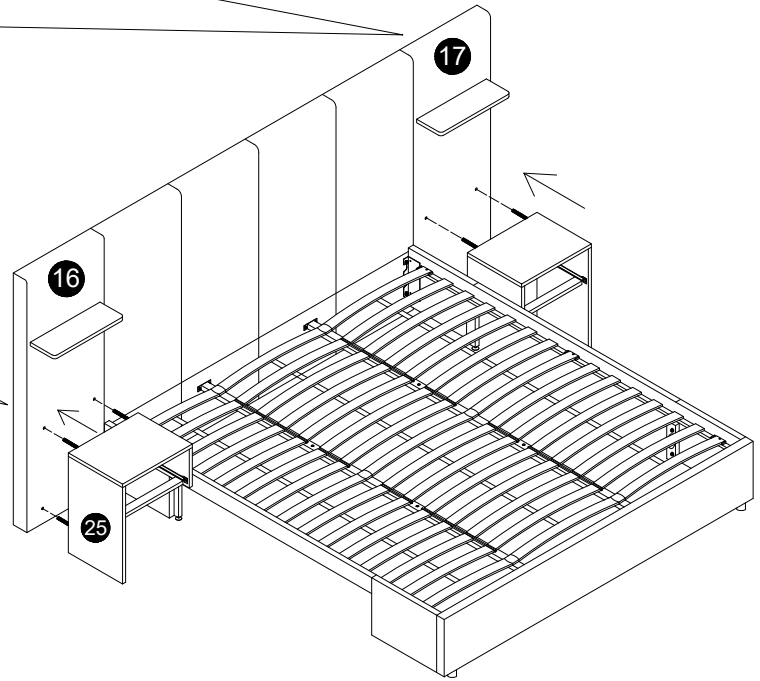
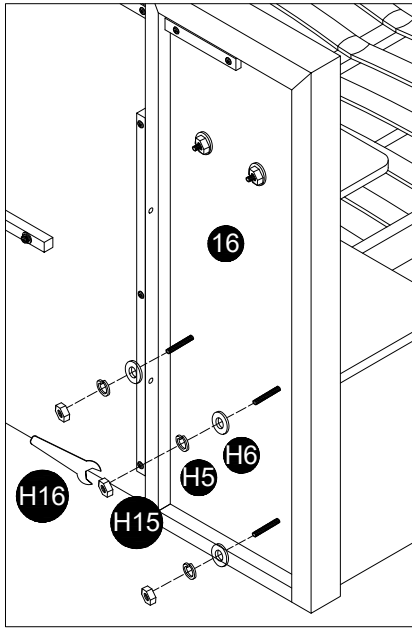
OPEN



LOCKED



17

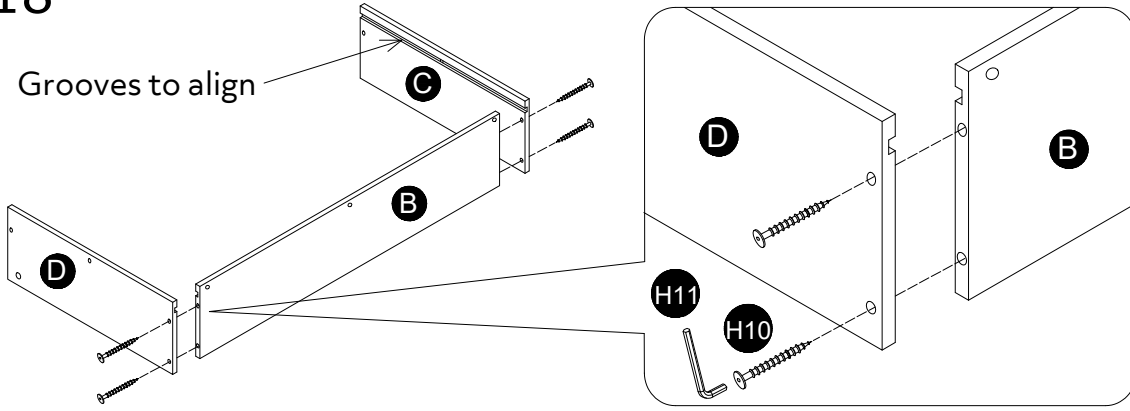


Slightly tilt up the front of the drawer, position it over the wheels, and slide inward until seated.

18

x2

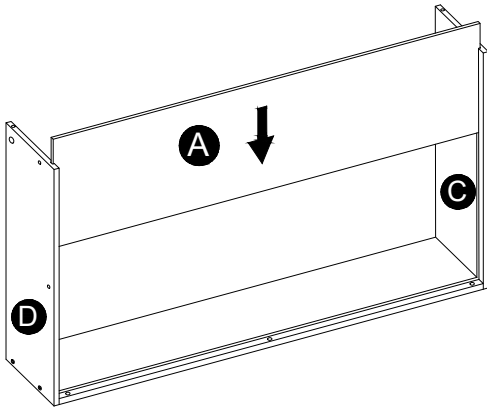
Grooves to align



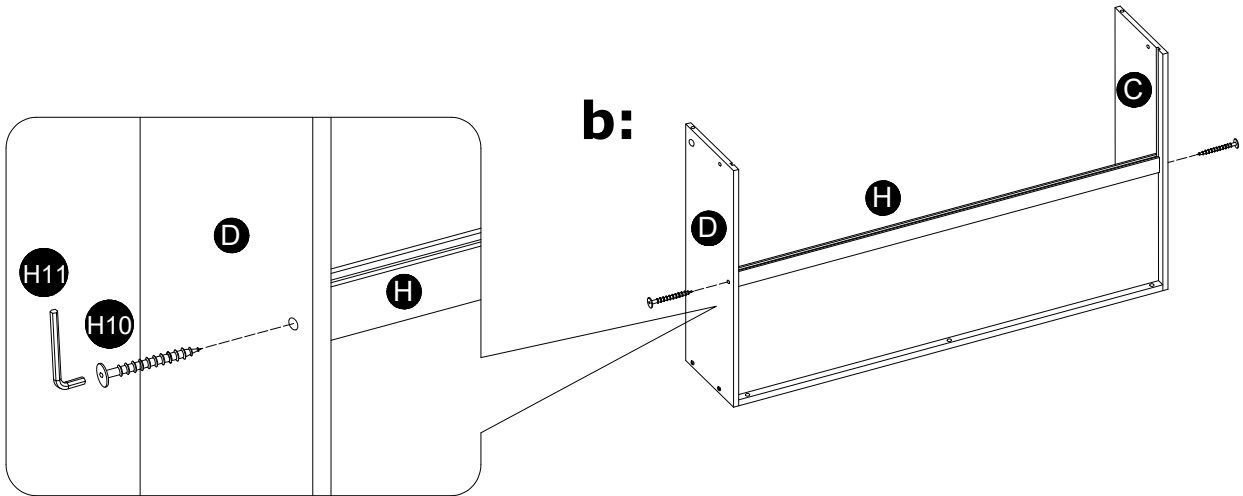
19

x2

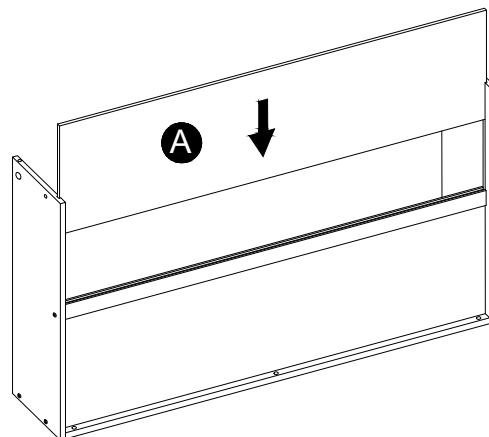
a:



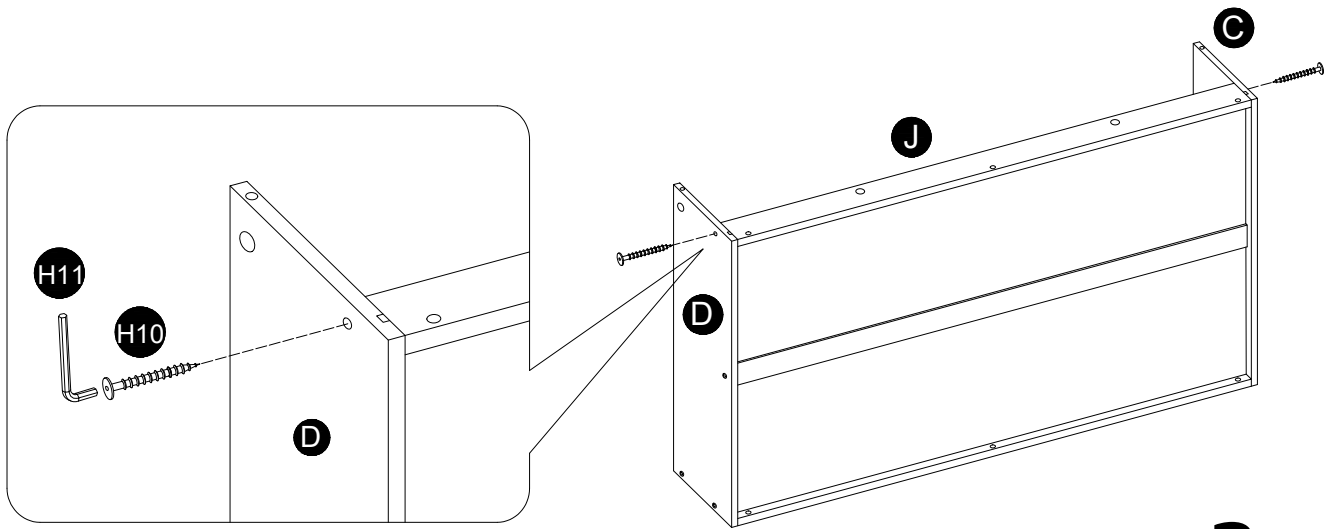
b:



c:

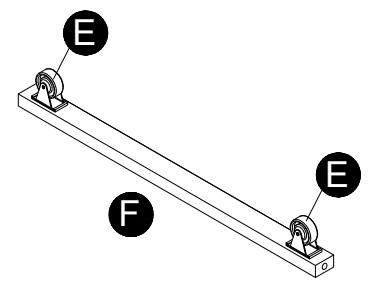
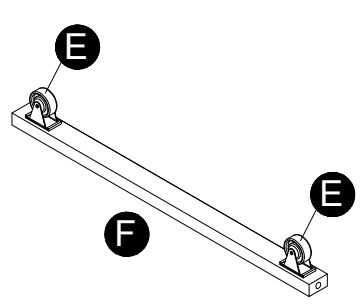


20

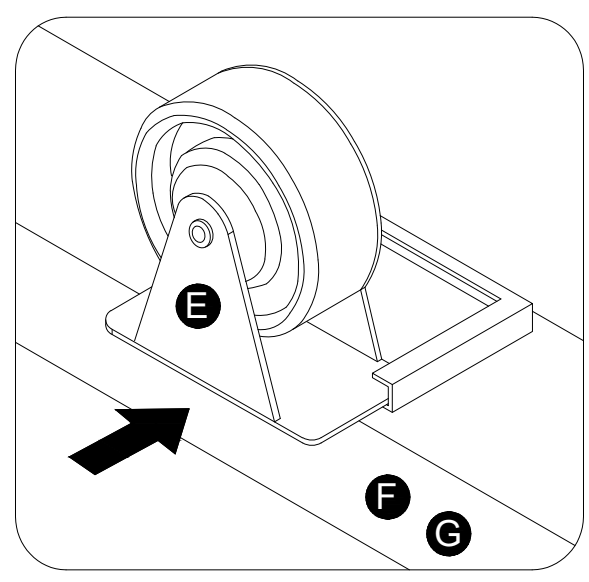
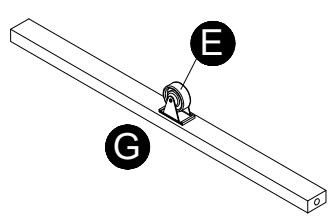


x2

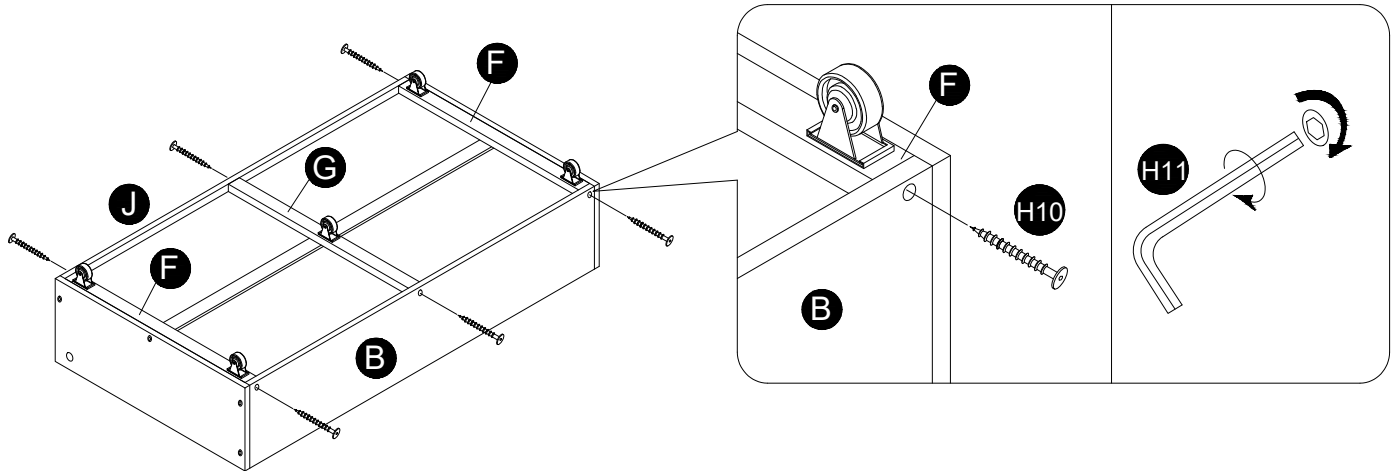
21



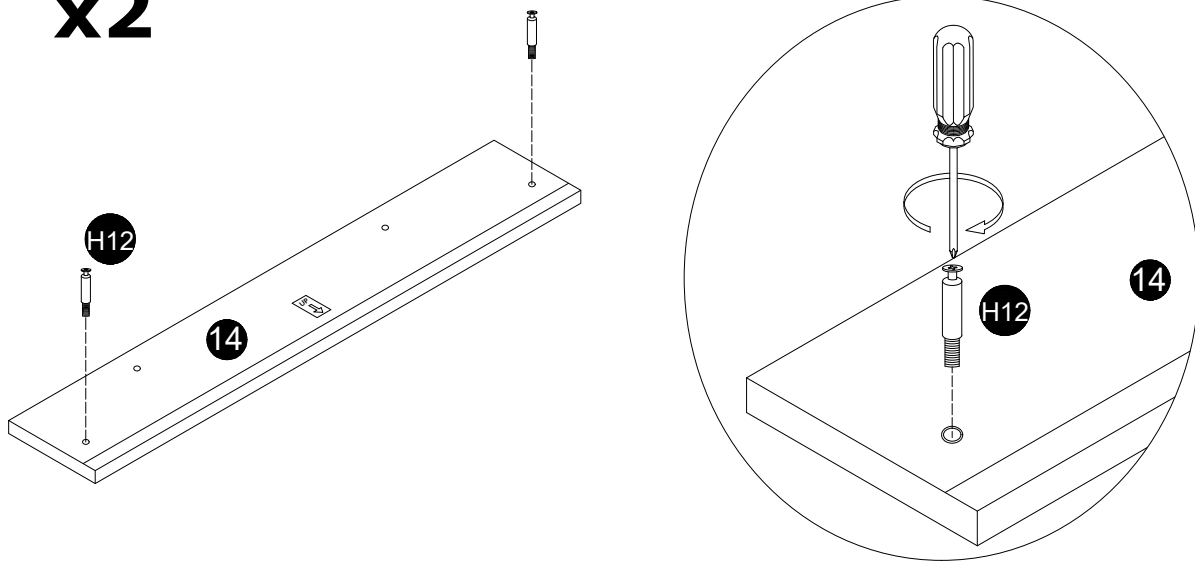
x2



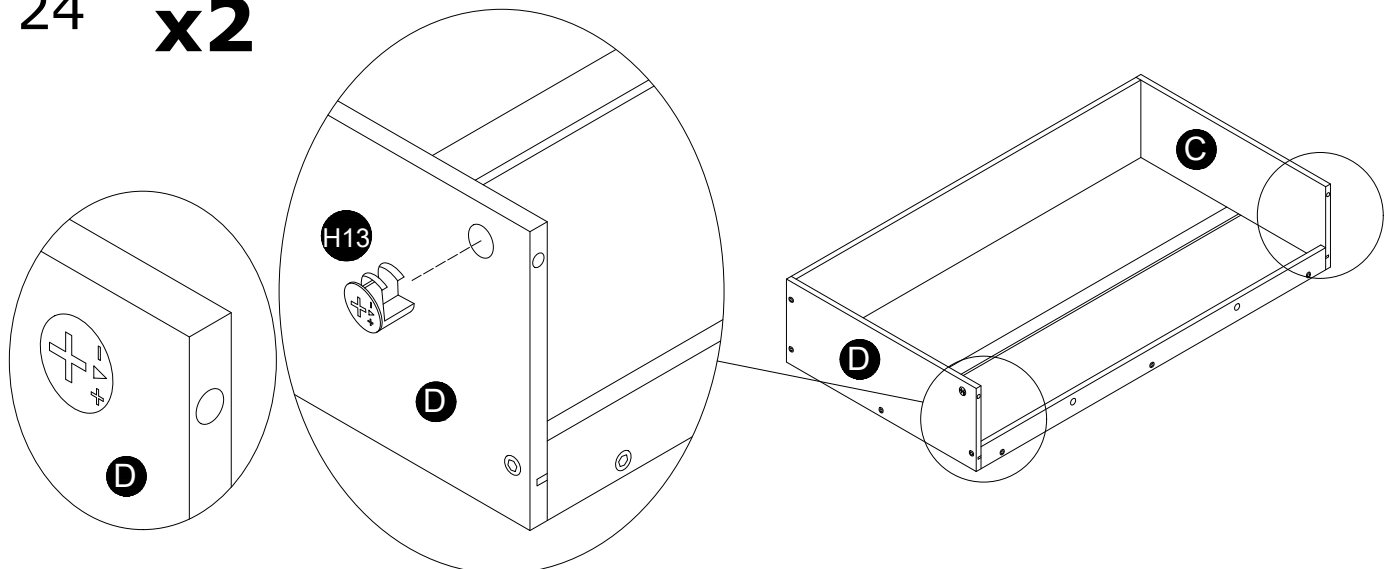
22 **x2**



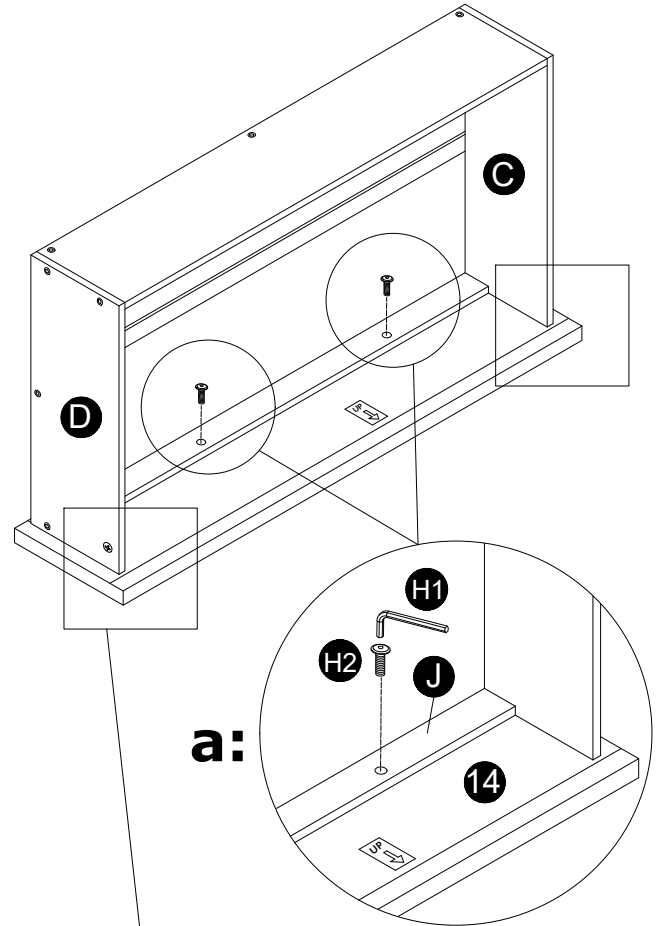
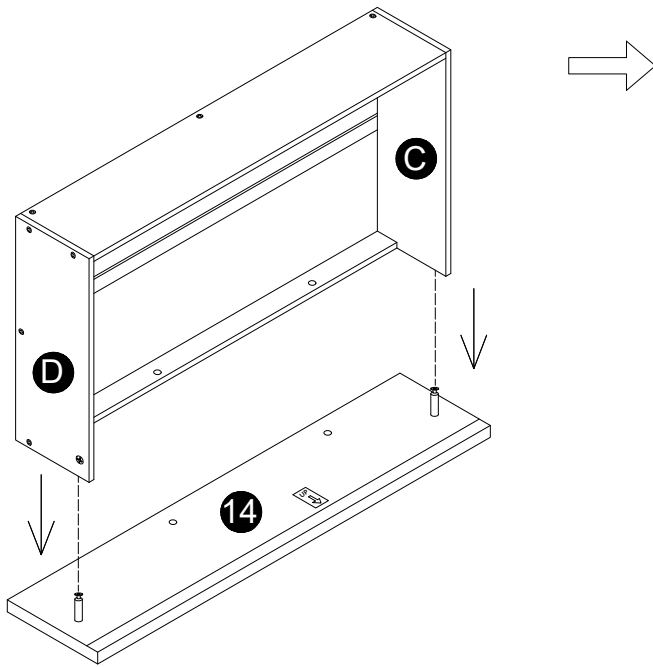
23 **x2**



24 **x2**

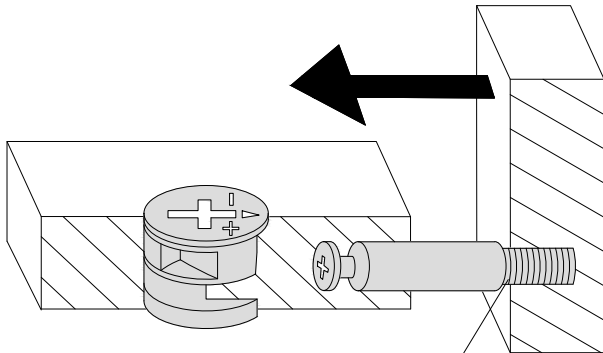


25 **x2**



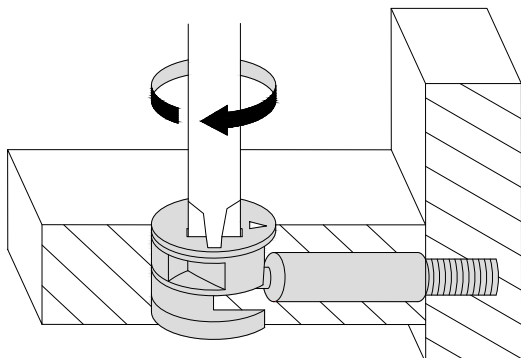
**a:**

PUSH THE TWO PANELS TOGETHER ALLOWING THE DOWEL TO ALIGN WITH THE HOLE

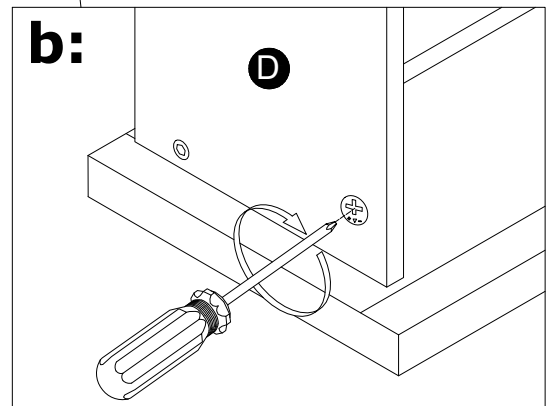


If H12 cannot lock into H13, you can adjust H12 outward by 2mm.

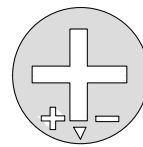
TURN THE CAM IN A CLOCKWISE DIRECTION



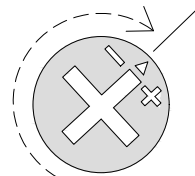
**b:**



**DON'T STOP UNTIL THE 2 O'CLOCK LOCK**  
TURN THE CAM IN A CLOCKWISE DIRECTION UNTIL THE ARROW POINTS IN THE POSITIONS SHOWN IN THE DIAGRAMS BELOW



**OPEN**



**LOCKED**