



# Ceramic/Impressions®

## Vitreous Top and Basin Bathroom Sink

### K-2891-8

#### Features

- Vitreous China
- Integrated top and bowl
- With overflow
- 8" (203mm) widespread faucet holes
- 49" (1245 mm) x 22-3/8" (568 mm)



#### Codes/Standards




ASME A112.19.2/CSA B45.1

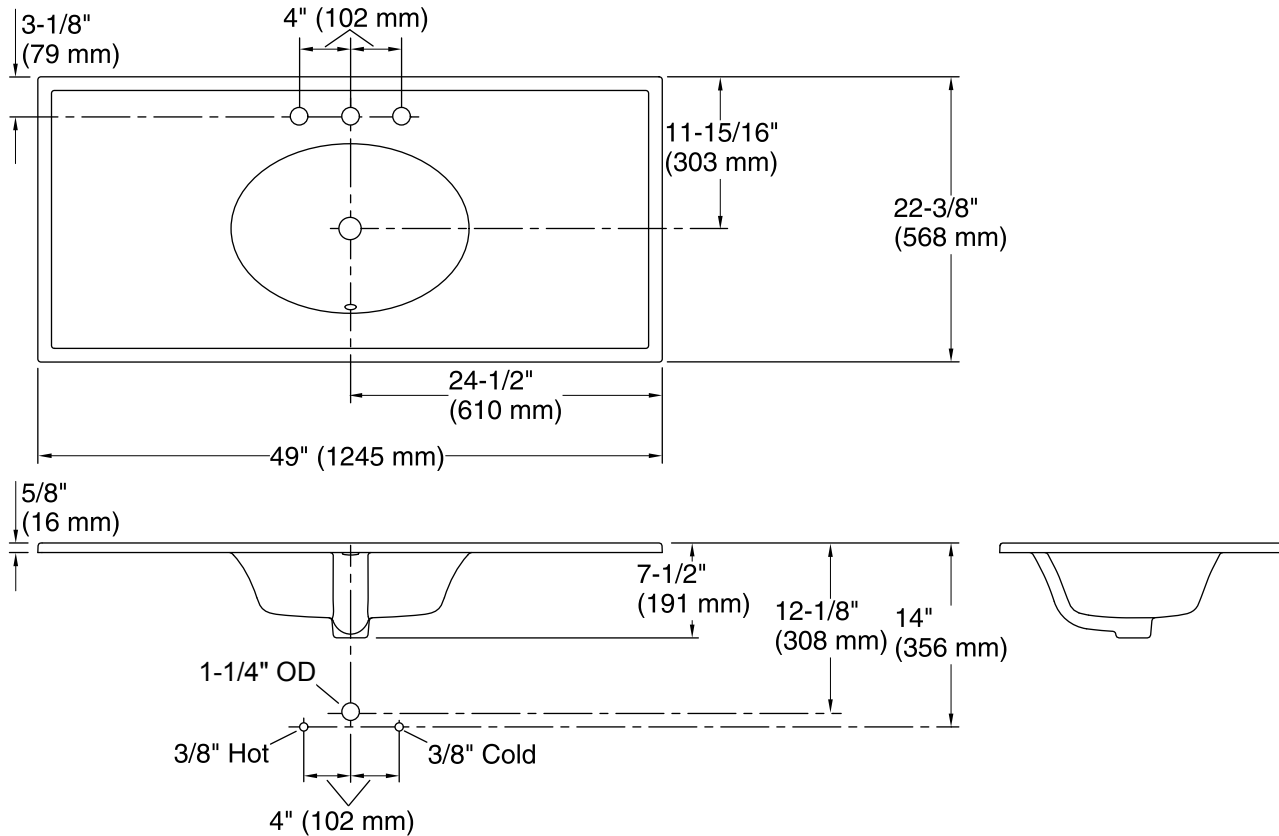
#### KOHLER® One-Year Limited Warranty

See website for detailed warranty information.

#### Available Color/Finishes

*Color tiles intended for reference only.*

Color	Code	Description
	G81	White Impressions
	G82	Dune Impressions
	G83	Biscuit Impressions
	G85	Sandbar Impressions
	G86	Cashmere Impressions
	G88	Thunder Grey Impressions



### Technical Information

All product dimensions are nominal.

- Bowl configuration: Single  
 Installation: ITB  
 Bowl area (Only): Length: 19" (483 mm)  
 Width: 13-3/8" (340 mm)  
 Bowl depth: 5-1/2" (140 mm)  
 Water depth: 4" (102 mm)
- Number of deck holes: 3  
 Faucet hole(s): 1-3/8" (35 mm)  
 Drain hole: 1-3/4" (44 mm)

### Notes

- Install this product according to the installation instructions.
- This sink is designed to be installed as an integrated vanity top to a KOHLER or standard vanity.