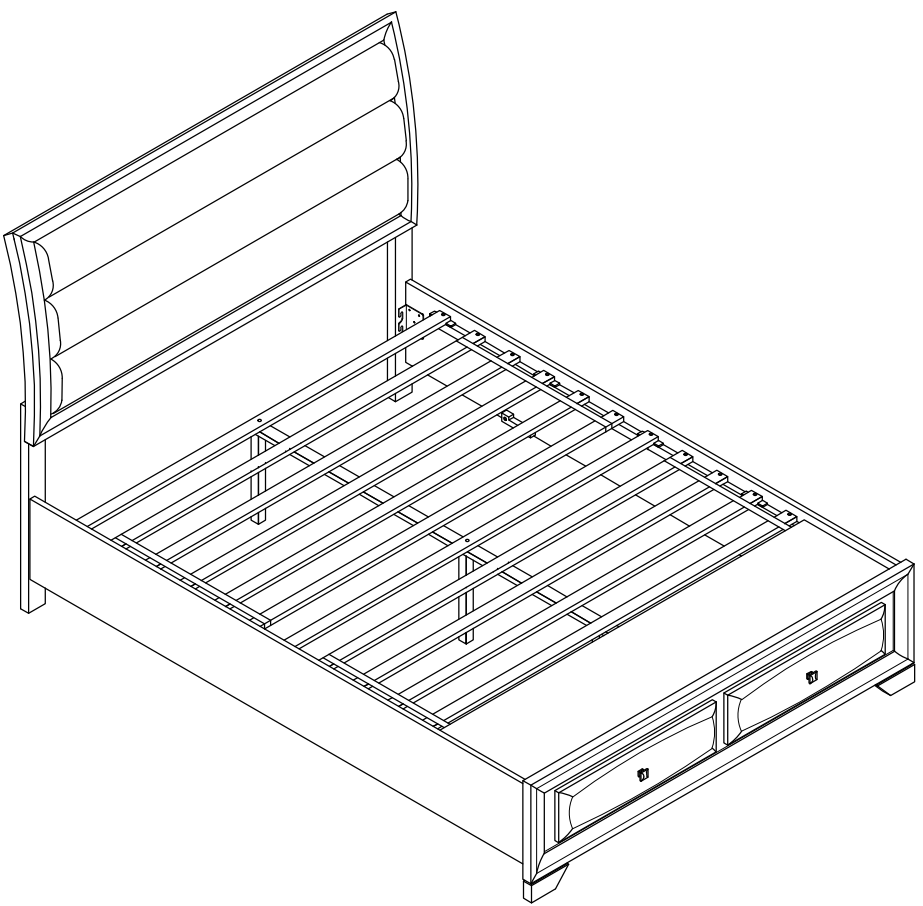


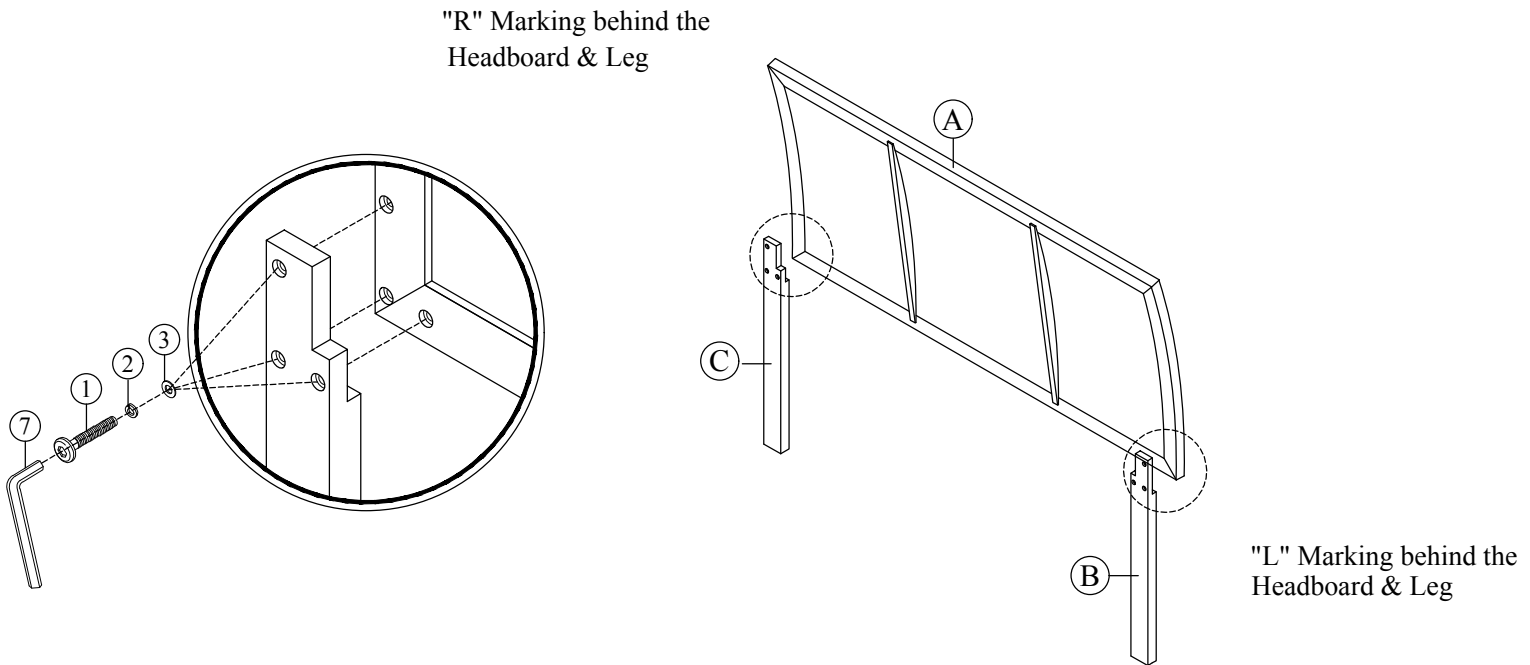
ASSEMBLY INSTRUCTION QUEEN SIZE BED

Part List Pack In Headboard & Footboard			Hardware List Pack In Headboard &Footboard		
NO.	Descriptions	Qty.	4	CSK M4 x 16mm	6
A	Headboard Panel	1	5	CSK M4 x 32mm	30
B	Headboard Leg Left (L)	1	6	JCBC Screw M6 x 50mm	3
C	Headboard Leg Right (R)	1	7	L Key M4	1
D	Footboard	1	8	L Key M5	1
E	Slat Cover	1			
F	Drawer Slat	1			
G	Drawer Slat Support	1			
H	Drawer Slat Stopper	1			
I	Bed Slat 3 Holes	3			
J	Bed Slat 2 Holes	10			
K	Bed Slat Support	3			
Part List Pack In Side Rail					
NO.	Descriptions	Qty.			
L	Side Rail	2			
M	Center Slat With Slat 3 Holes	1			
Part List Pack In Side Rail					
N	Drawer	2			
Hardware List Pack In Headboard &Footboard					
NO.	Descriptions	Qty.			
1	JCBC Screw M6 x 30mm	6			
2	Spring Washer Ø 1/4"	6			
3	Flat Washer Ø 1/4" x 13mm	6			



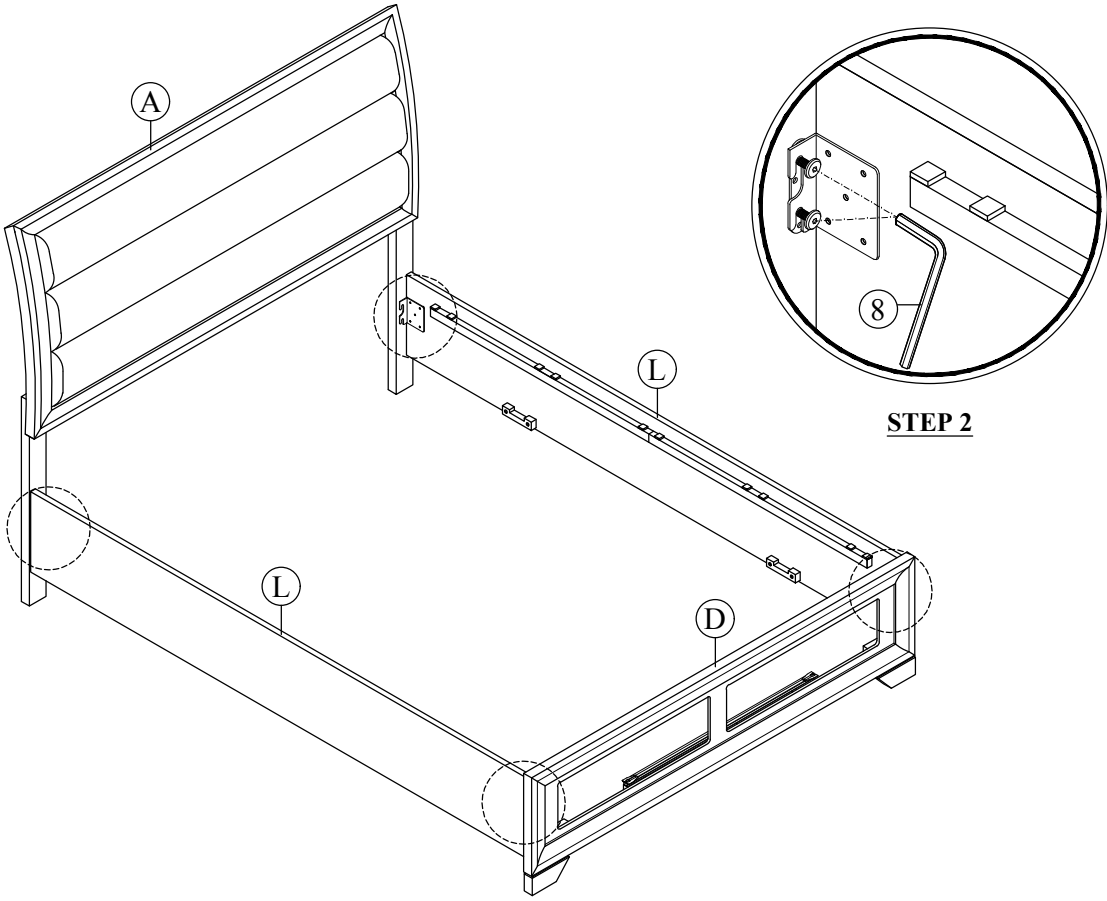
ASSEMBLY INSTRUCTION QUEEN SIZE BED

STEP 1.1: Align and fasten Headboard Leg (B) & (C) to Headboard Panel (A) using JCBC M6 x 30mm (1), Spring Washer $\text{Ø}\frac{1}{4}$ "(2) and Flat Washer $\text{Ø}\frac{1}{4}$ " x 13mm (3) and tighten with L Key M4 (7).
Please note the marking on the leg and headboard



**ASSEMBLY INSTRUCTION
QUEEN SIZE BED**

STEP 2 : Attach the Side Rail (L) to Headboard Leg. Tighten SCREW on Headboard Leg by using L KEY M5 (8) & repeat the same step on Footboard (D).

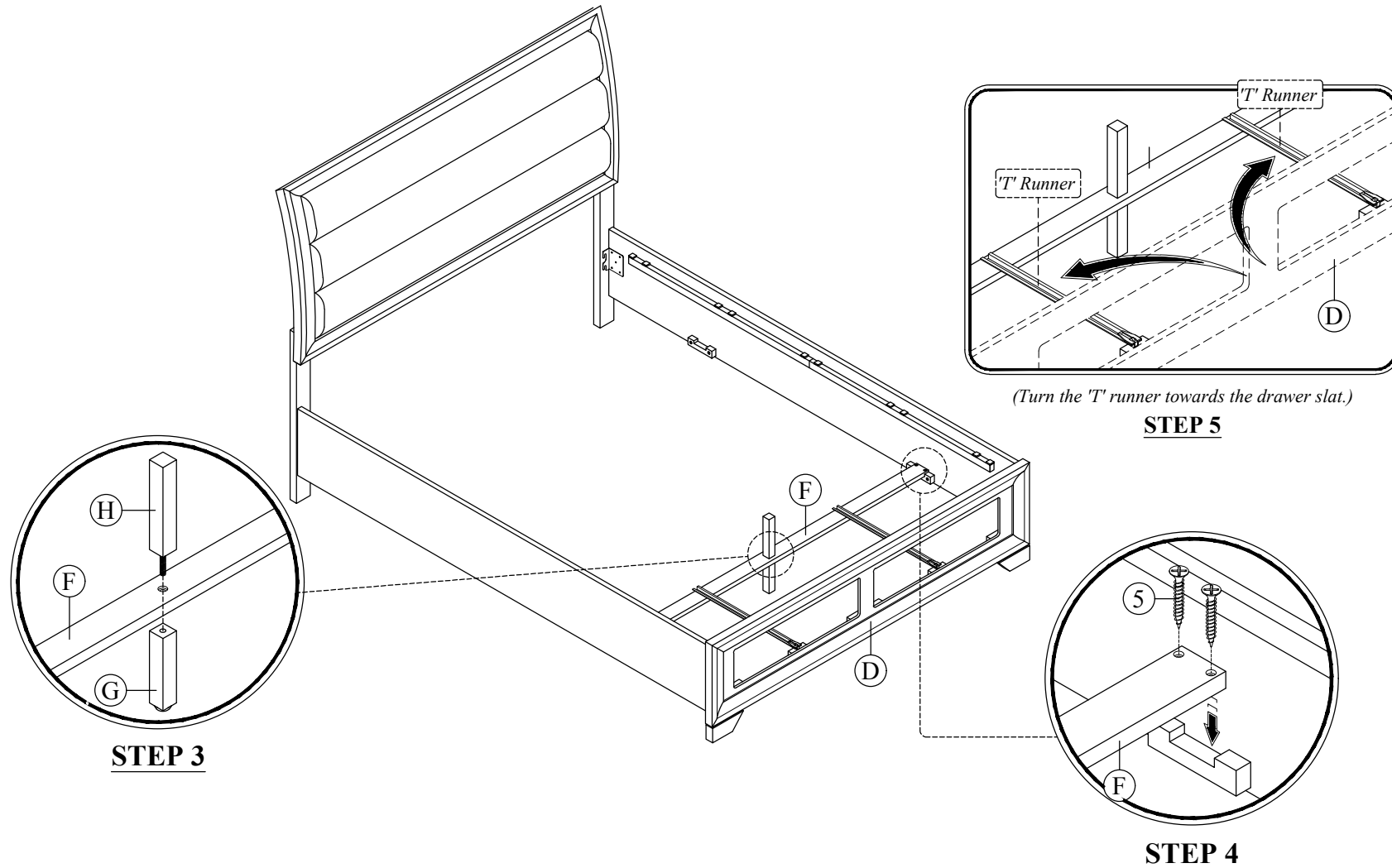


ASSEMBLY INSTRUCTION QUEEN SIZE BED

STEP 3 : Attach the Drawer Slat (F) each to a Drawer Slat Support (G) and fix with Drawer Slat Support Stopper (H).

STEP 4 : Fix the Drawer Slat (F) to Side Rail (L) with CSK M4 x 32mm (5).

STEP 5 : Move 'T' Runner at Footboard (D) to Drawer Slat (F).

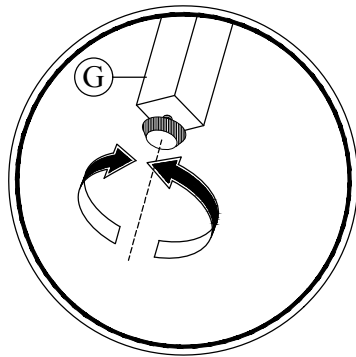


ASSEMBLY INSTRUCTION QUEEN SIZE BED

STEP 6 : Insert Drawer (N) to Footboard (D) until completely closed.

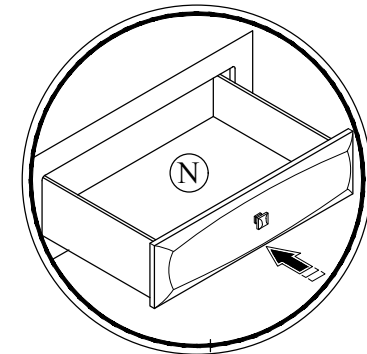
STEP 7 : Tighten 'T' Runner at Footboard (D) to Drawer Slat (F) with CSK M4 x 16mm (4).

STEP 8 : If Drawer (N) does not close properly, adjust the adjuster at the bottom of Drawer Slat Support (G) up or down until the Drawer (N) closes tightly.

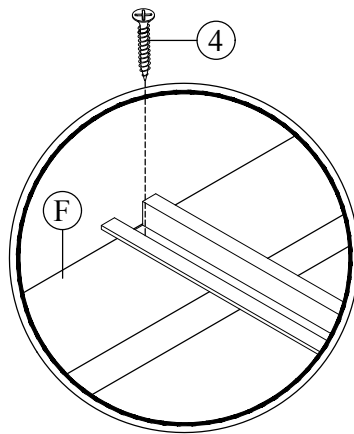


Adjust the adjuster until the drawer closes tightly.

STEP 8

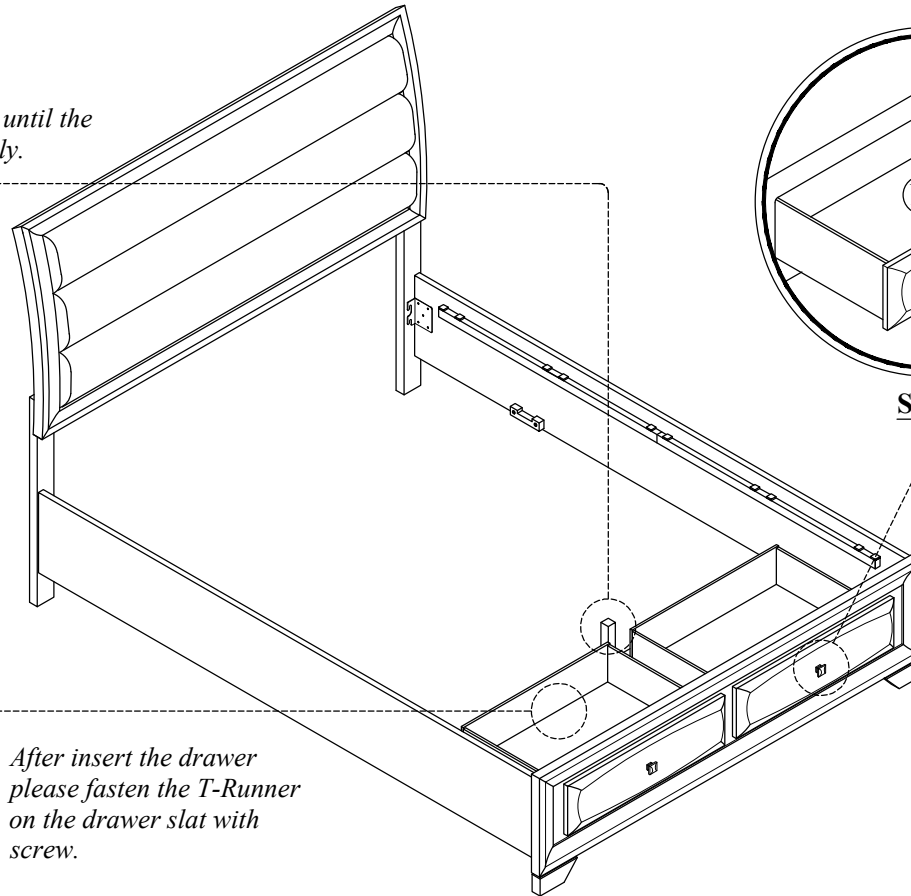


STEP 6



After insert the drawer please fasten the T-Runner on the drawer slat with screw.

STEP 7

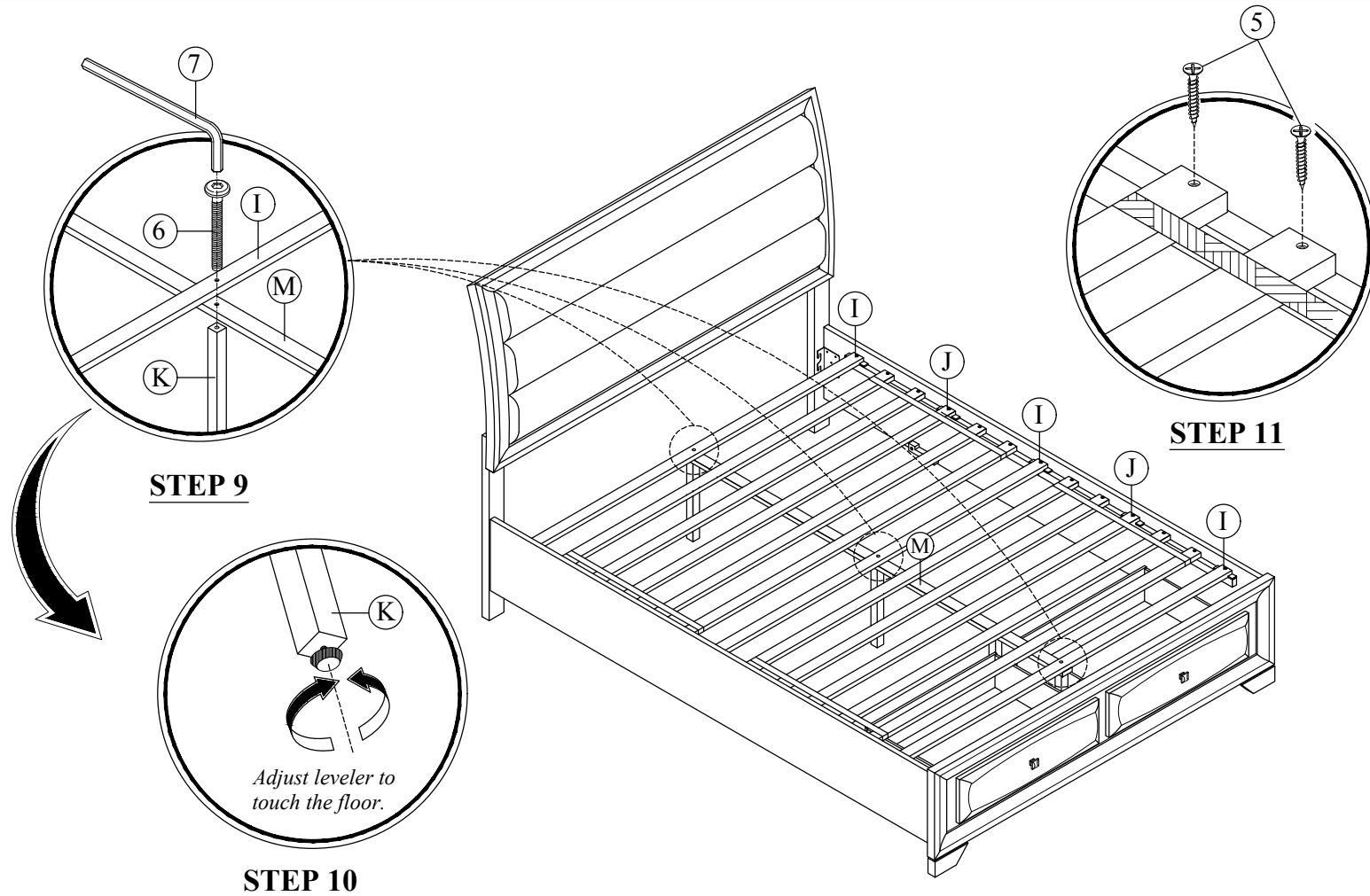


ASSEMBLY INSTRUCTION QUEEN SIZE BED

STEP 9 : Attach the Center Slat With 3 Holes (M), Bed Slat 3 Holes (I) to Bed Slat Support (K). Tighten with JCBC M6 x 50mm (6) by using L KEY M4 (7).

STEP 10 : Adjust the adjuster at the bottom of Bed Slat Support (K).

STEP 11 : Attach Bed Slat 3 Holes (I) & Bed Slat 2 Holes (J) and tighten to Side Rail (L) with CSK M4 x 32mm (5).



ASSEMBLY INSTRUCTION QUEEN SIZE BED

STEP 12 : Attach the Slat Cover (E) to top Bed Slat (I & J) .

STEP 13 : Close the distance Slat Cover (E) to Footboard (D). Tighten Slat Cover (E) to Wood at Footboard (4) with CSK M4 x 16mm (4).

