

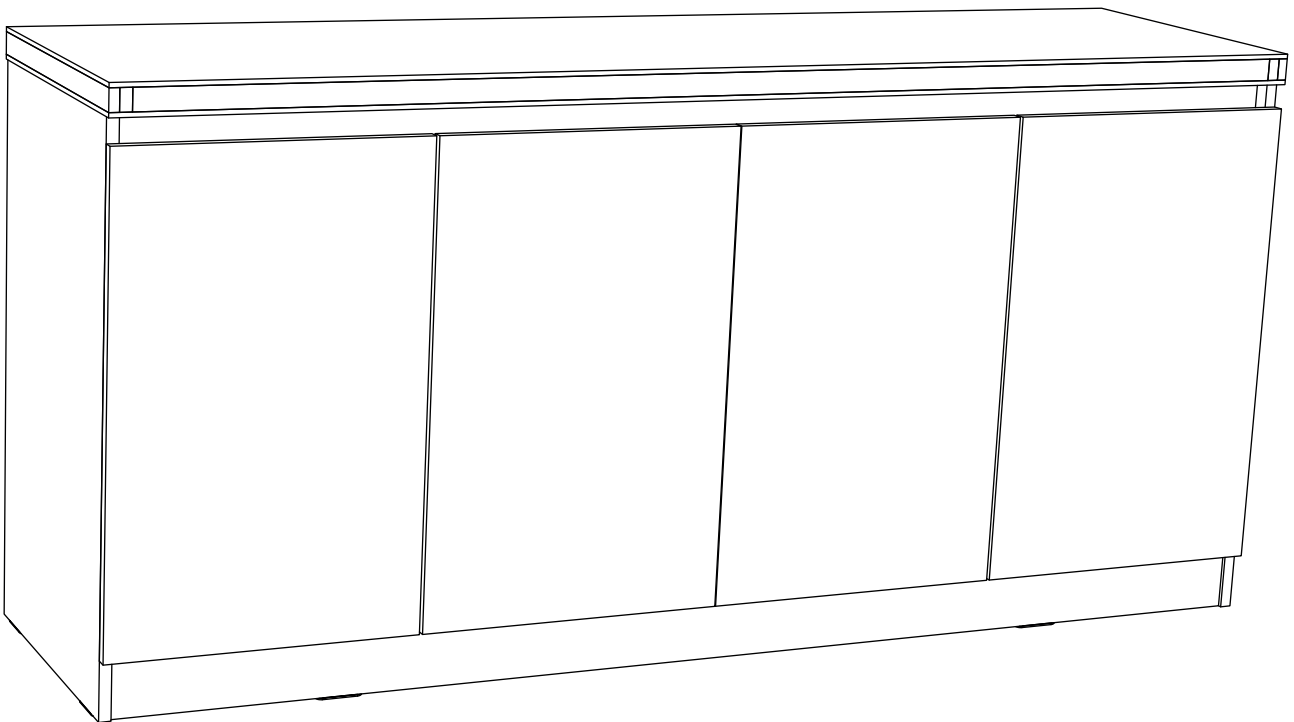


MANHATTAN  
COMFORT

## **ASSEMBLY INSTRUCTIONS**






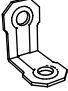
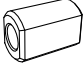

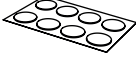

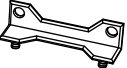


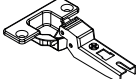
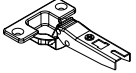
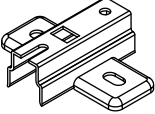
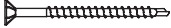
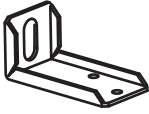
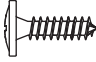


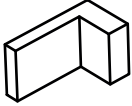
INSTRUCCIONES DE MONTAJE

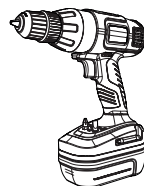
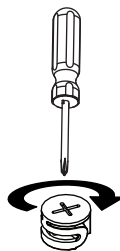
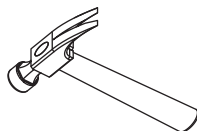
NOTICE DE MONTAGE



COD BR: 105800

REV. 06 - 17/02/22

|  |   |  |   |   |
|--|---|--|---|---|
| <p><b>A</b><br/>COD. 0599<br/>(14X)</p>                   | <p><b>B</b><br/>COD. 10063<br/>(14X)</p>                       | <p><b>C</b><br/>COD. 7702<br/><b>M4 X 10</b><br/>(08X)</p>    | <p><b>D</b><br/>COD. 7519<br/><b>4.5 x 16</b><br/>(24X)</p>    | <p><b>E</b><br/>COD. 1533<br/><b>4.0 x 14</b><br/>(32X)</p>    |
| <p><b>F</b><br/>COD. 1669<br/>(08X)</p>                   | <p><b>G</b><br/>COD. 7531<br/><b>M4 X 14</b><br/>(04X)</p>     | <p><b>H</b><br/>COD. 0357<br/><b>8.0 x 8.0</b><br/>(68X)</p>  | <p><b>I</b><br/>STICKER<br/>ADHESIVO<br/>AUTOCOLLANT<br/>(12X)</p>   | <p><b>J</b><br/>COD. 0329<br/><b>8.0 x 30</b><br/>(34X)</p>    |
| <p><b>K</b><br/>COD. 3518<br/>(03X)</p>                   | <p><b>L</b><br/>COD. 0136<br/>(08X)</p>                        | <p><b>M</b><br/>COD. 0342<br/>(18X)</p>                       | <p><b>N</b><br/>COD. 2510<br/><b>INNER</b> HINGES<br/>BISAGRAS INTERNAS<br/>CHARNIÈRES INTÉRIEURES<br/>(04X)</p>  | <p><b>O</b><br/>COD. 2511<br/><b>OUTER</b> HINGES<br/>BISAGRAS EXTERNAS<br/>CHARNIÈRES EXTÉRIEURES<br/>(04X)</p>  |
| <p><b>P</b><br/>COD. 4462<br/>(08X)</p>                 | <p><b>Q</b><br/>COD. 4762<br/><b>4.0 X 50</b><br/>(06X)</p>  | <p><b>R</b><br/>COD. 3934<br/>(02X)</p>                     | <p><b>S</b><br/>COD. 3557<br/><b>4.0 X 14</b><br/>(06X)</p>    | <p><b>X</b><br/>COD. 6244<br/><b>6.0 X 65</b><br/>(02X)</p>    |
| <p><b>U</b><br/>COD. 2088<br/><b>UX8</b><br/>(02X)</p>  | <p><b>V</b><br/>COD. 5681<br/>(02X)</p>                      |  |   |   |

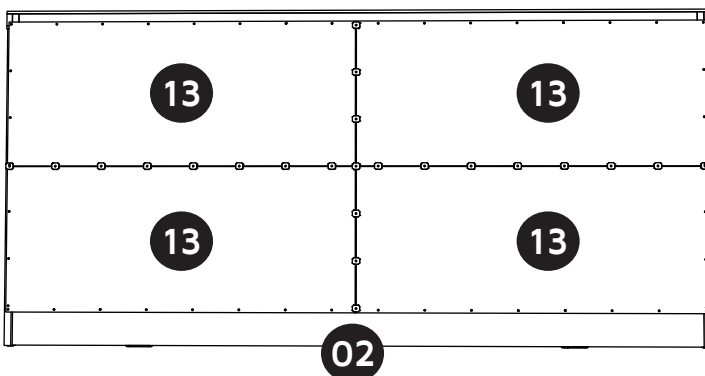
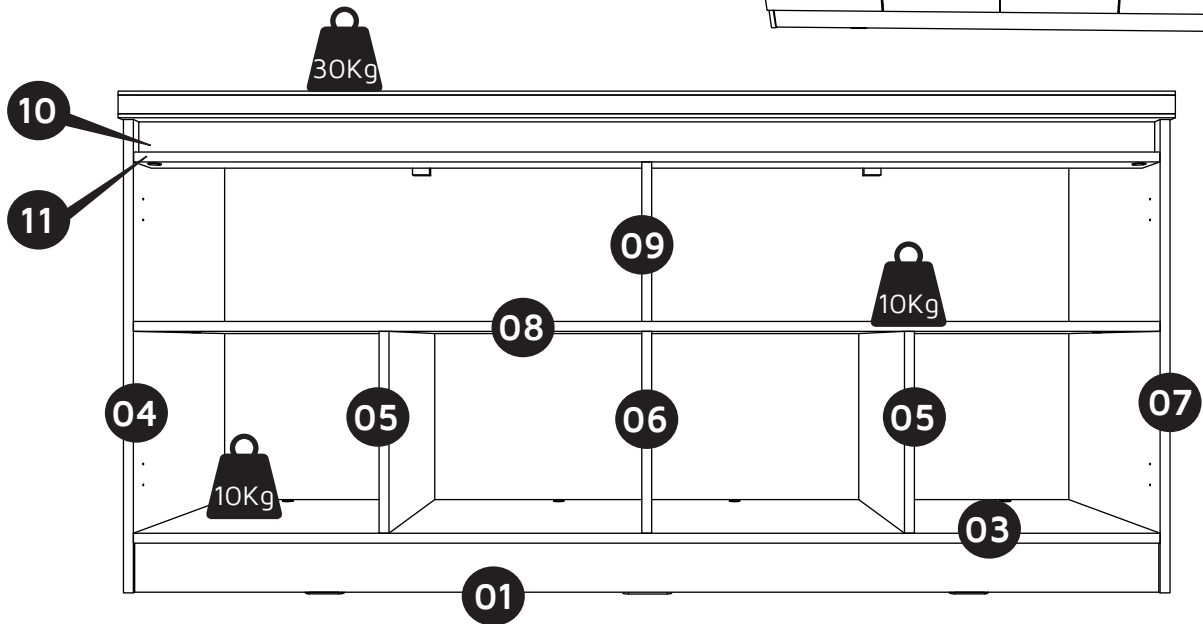
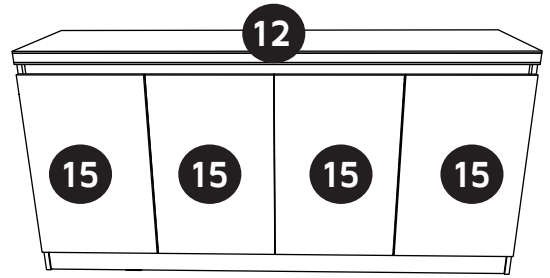


**B**  
COD. 10063

## DESCRIPTION/ DESCRIPCIÓN/ DESCRIPTION

| <b>CÓD:105800</b>               |   |                      |                    |                    |                               |
|---------------------------------|---|----------------------|--------------------|--------------------|-------------------------------|
| <b>PART<br/>PIEZA<br/>PIÈCE</b> | <b>QUANTITY<br/>CANTIDAD<br/>QUANTITÉ</b> | <b>DESCRIPTION</b>   | <b>DESCRIPCIÓN</b> | <b>DESCRIPTION</b> | <b>BOX<br/>CAJA<br/>BOÎTE</b> |
| <b>01</b>                       | <b>01</b>                                 | FRONT LOWER BATTEN   | SOPORTE FRONTAL    | PLINTHE AVANT      | 02                            |
| <b>02</b>                       | <b>01</b>                                 | BACKSIDELOWER BATTEN | SOPORTE TRASERO    | PLINTHE ARRIÈRE    | 02                            |
| <b>03</b>                       | <b>01</b>                                 | BASE                 | BASE               | BASE               | 02                            |
| <b>04</b>                       | <b>01</b>                                 | LEFT SIDE            | LATERAL IZQUIERDA  | CÔTÉ GAUCHE        | 01                            |
| <b>05</b>                       | <b>02</b>                                 | BACKPLATE            | DIVISOR INFERIOR   | DIVISEUR INFÉRIEUR | 01                            |
| <b>06</b>                       | <b>01</b>                                 | DIVIDER              | DIVISOR            | DIVISEUR           | 01                            |
| <b>07</b>                       | <b>01</b>                                 | RIGHT SIDE           | LATERAL DERECHA    | CÔTÉ DROIT         | 01                            |
| <b>08</b>                       | <b>01</b>                                 | LARGE SHELF          | SHELF              | ÉTAGÈRE            | 02                            |
| <b>09</b>                       | <b>01</b>                                 | UP DIVIDER           | DIVISOR SUPERIOR   | DIVISEUR USINÉ     | 01                            |
| <b>10</b>                       | <b>01</b>                                 | FRONT                | FRONTAL            | AVANT              | 02                            |
| <b>11</b>                       | <b>01</b>                                 | FRONT BOARD SUPPORT  | COLUMNNA           | SUPPORT            | 02                            |
| <b>12</b>                       | <b>01</b>                                 | TOP BOARD            | CUBIERA            | PLATEAU            | 02                            |
| <b>13</b>                       | <b>04</b>                                 | BACKPLATE            | FONDO              | FOND               | 02                            |
| <b>15</b>                       | <b>04</b>                                 | DOOR                 | PUERTA             | PORTE              | 01                            |

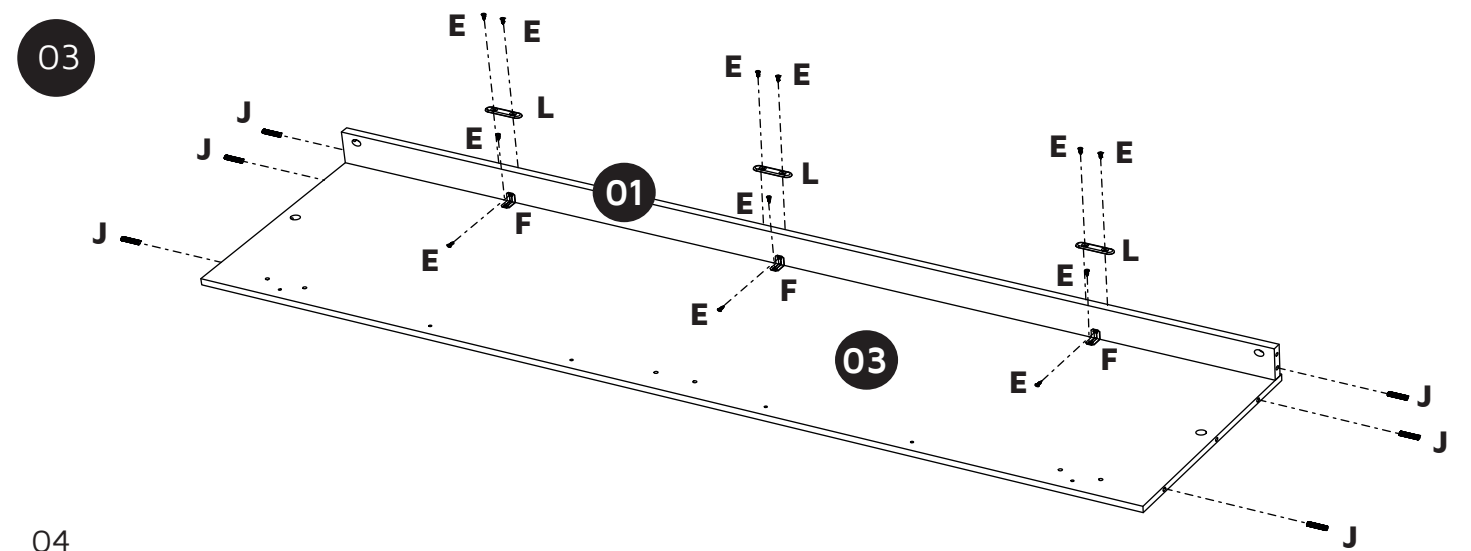
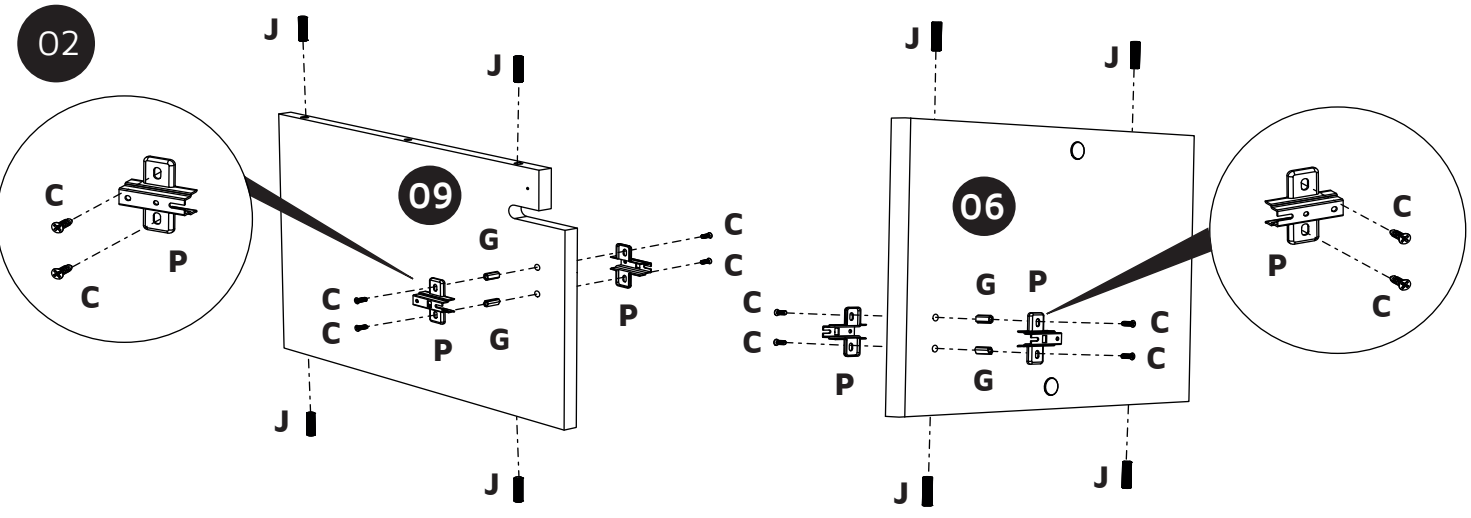
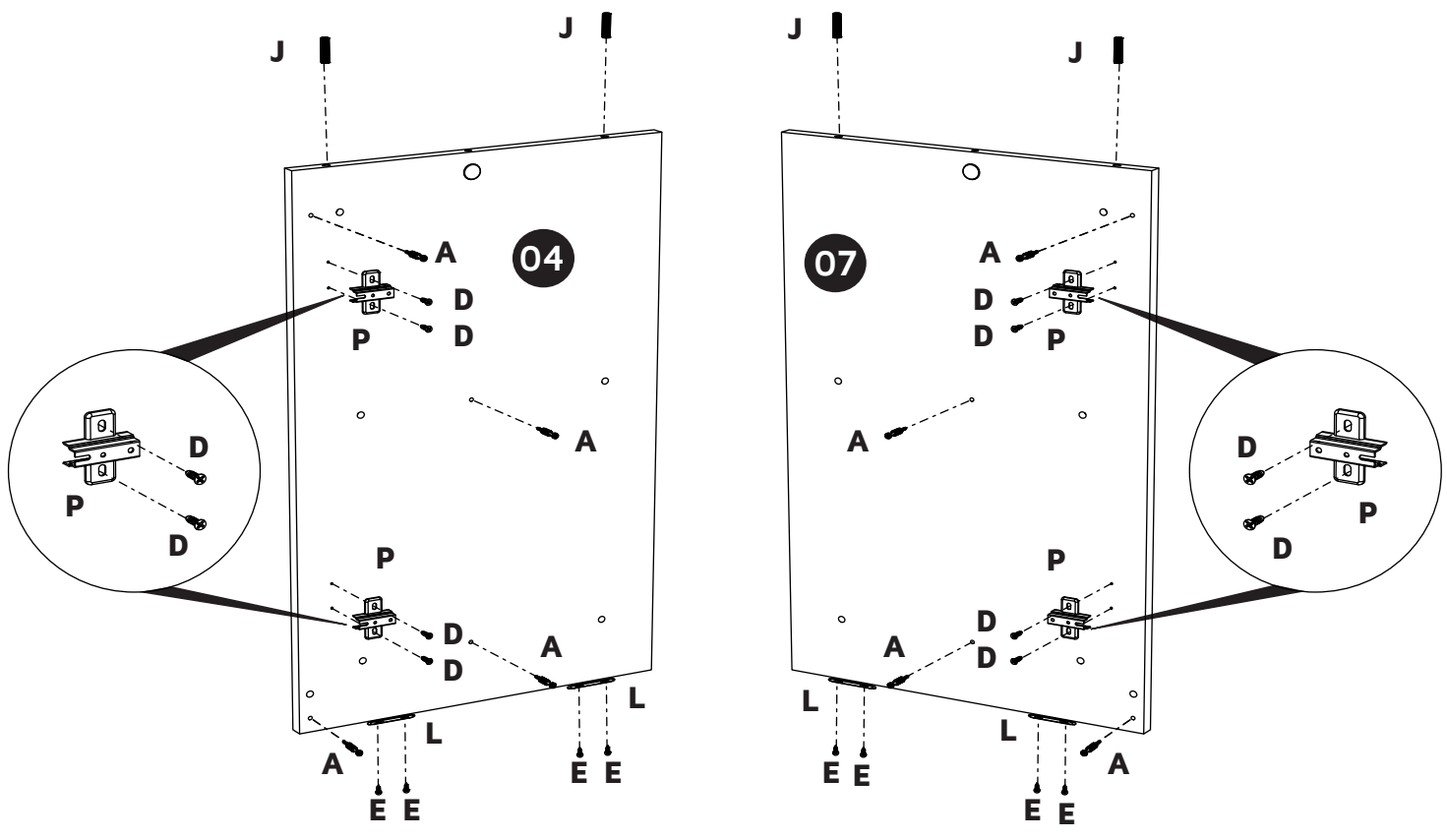
W:62.40 inches H:29.84 inches D: 17.48 inches  
 L:1585mm A:758mm P:444 mm  
 L:1585mm H:758mm P:444 mm




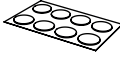

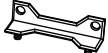

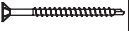


30Kg = 66Lb  
 10Kg = 22Lb

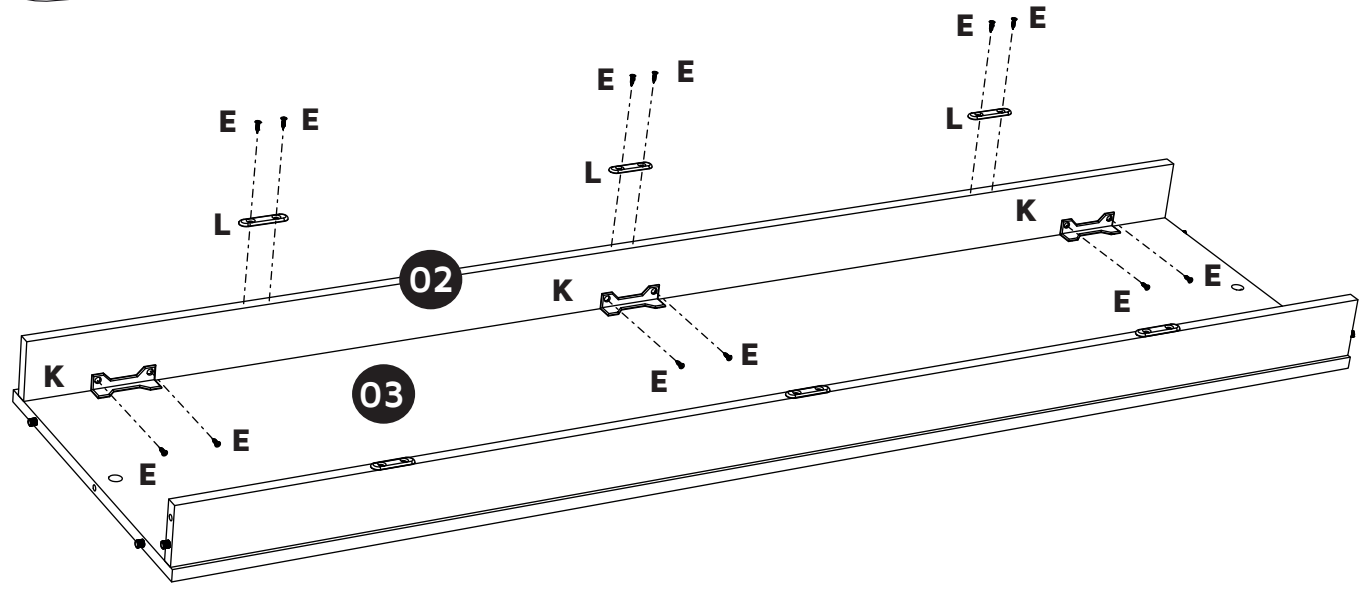
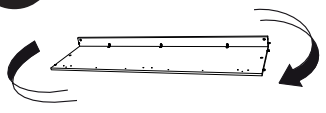
01

|                       |                       |                       |                       |                       |                       |                       |                       |                       |
|-----------------------|-----------------------|-----------------------|-----------------------|-----------------------|-----------------------|-----------------------|-----------------------|-----------------------|
| <b>A</b><br>COD. 0599 | <b>C</b><br>COD. 7702 | <b>D</b><br>COD. 7519 | <b>E</b><br>COD. 1533 | <b>F</b><br>COD. 1669 | <b>G</b><br>COD. 7531 | <b>J</b><br>COD. 0329 | <b>L</b><br>COD. 0136 | <b>P</b><br>COD. 4462 |
|-----------------------|-----------------------|-----------------------|-----------------------|-----------------------|-----------------------|-----------------------|-----------------------|-----------------------|

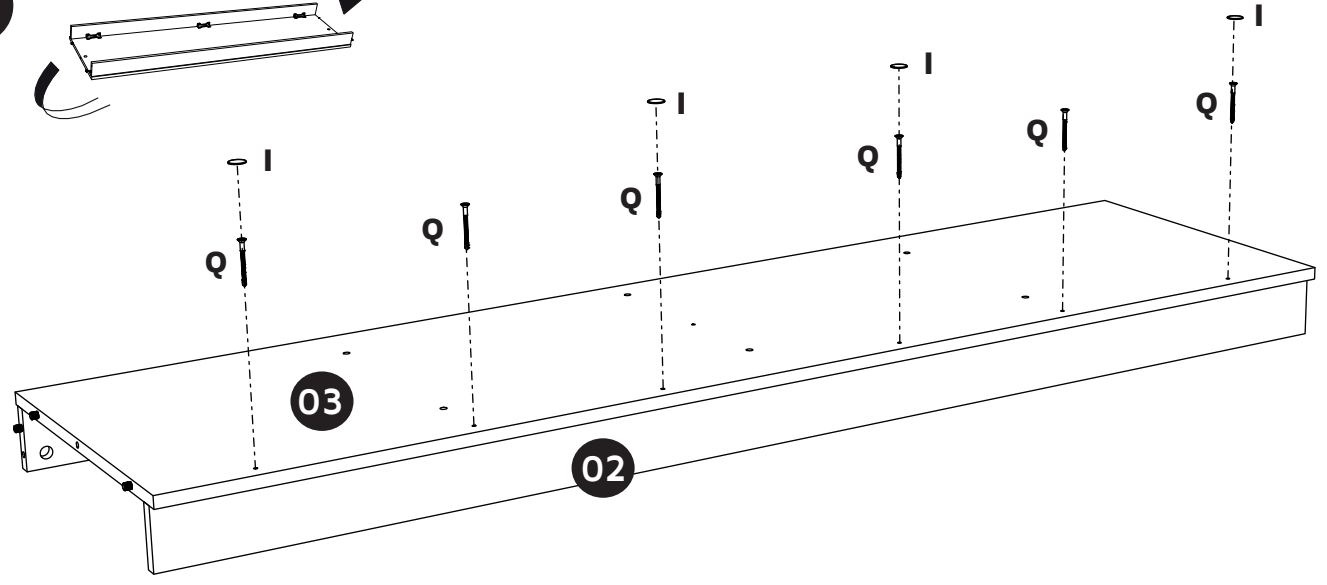
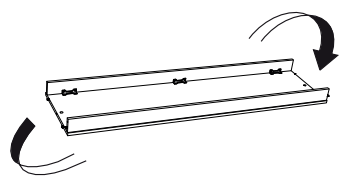


|   |   |   |  |   |   |   |   |
|---|---|---|--|---|---|---|---|
| <b>A</b><br>COD. 0599   | <b>B</b><br>COD. 10063  | <b>E</b><br>COD. 1533   | <b>I</b>   | <b>J</b><br>COD. 0329   | <b>K</b><br>COD. 3518   | <b>L</b><br>COD. 0136   | <b>Q</b><br>COD. 4762   |
|  |  |  |  |  |  |  |  |

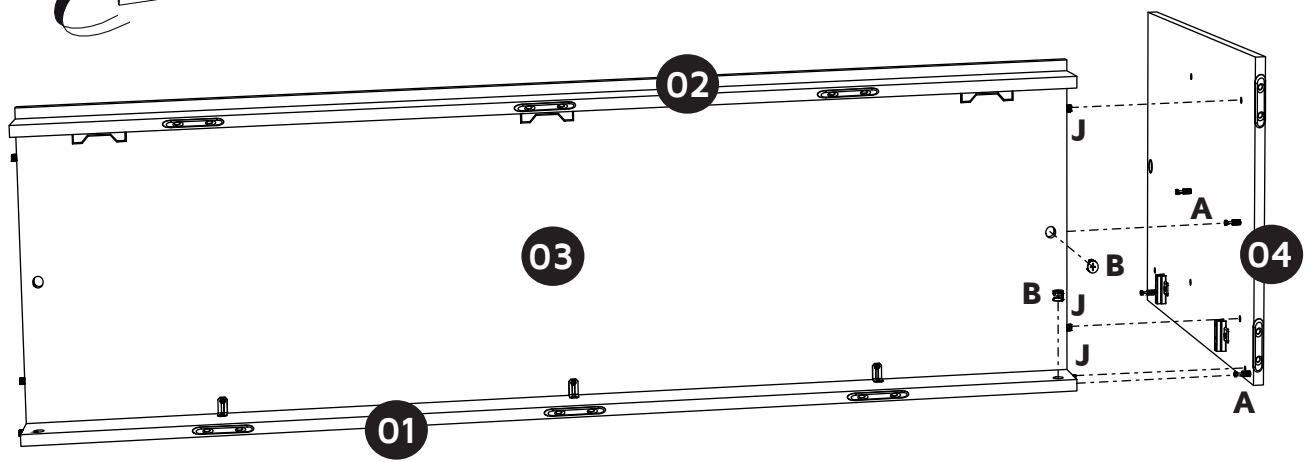
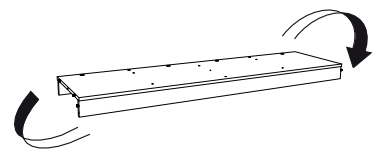
04



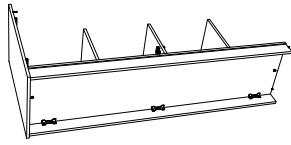
05







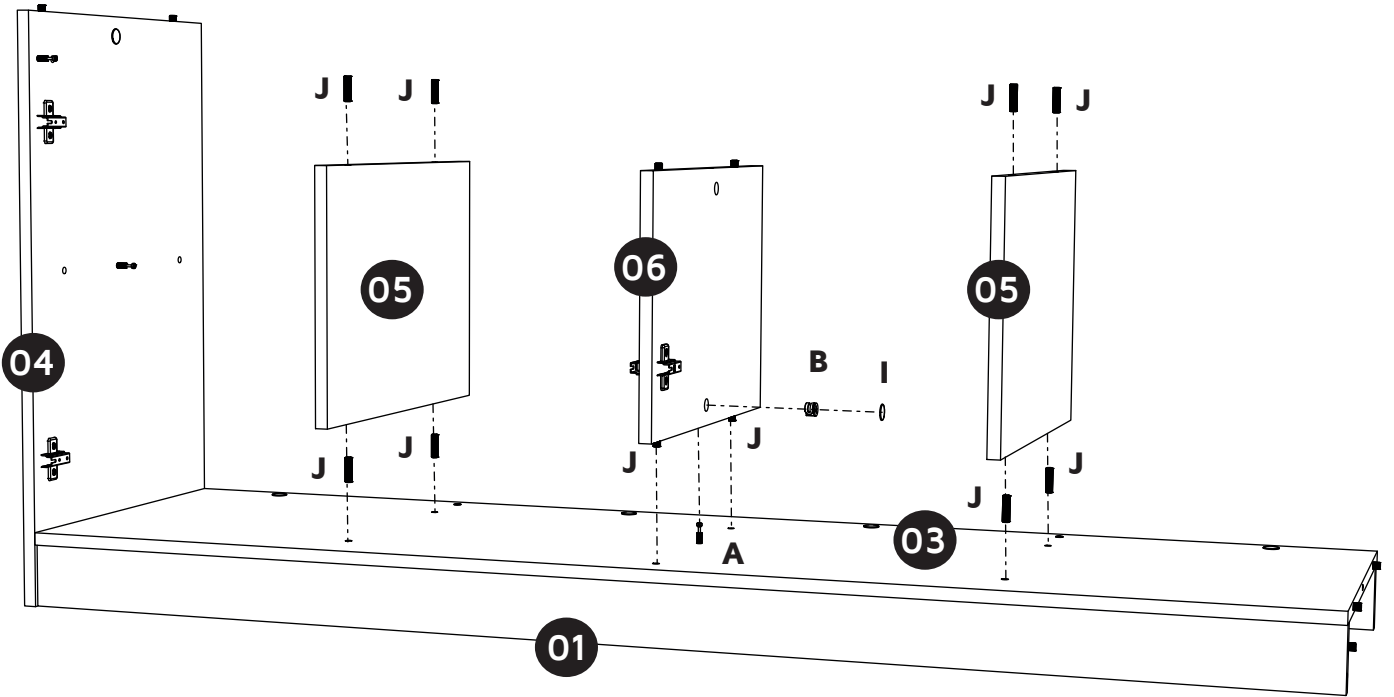
06



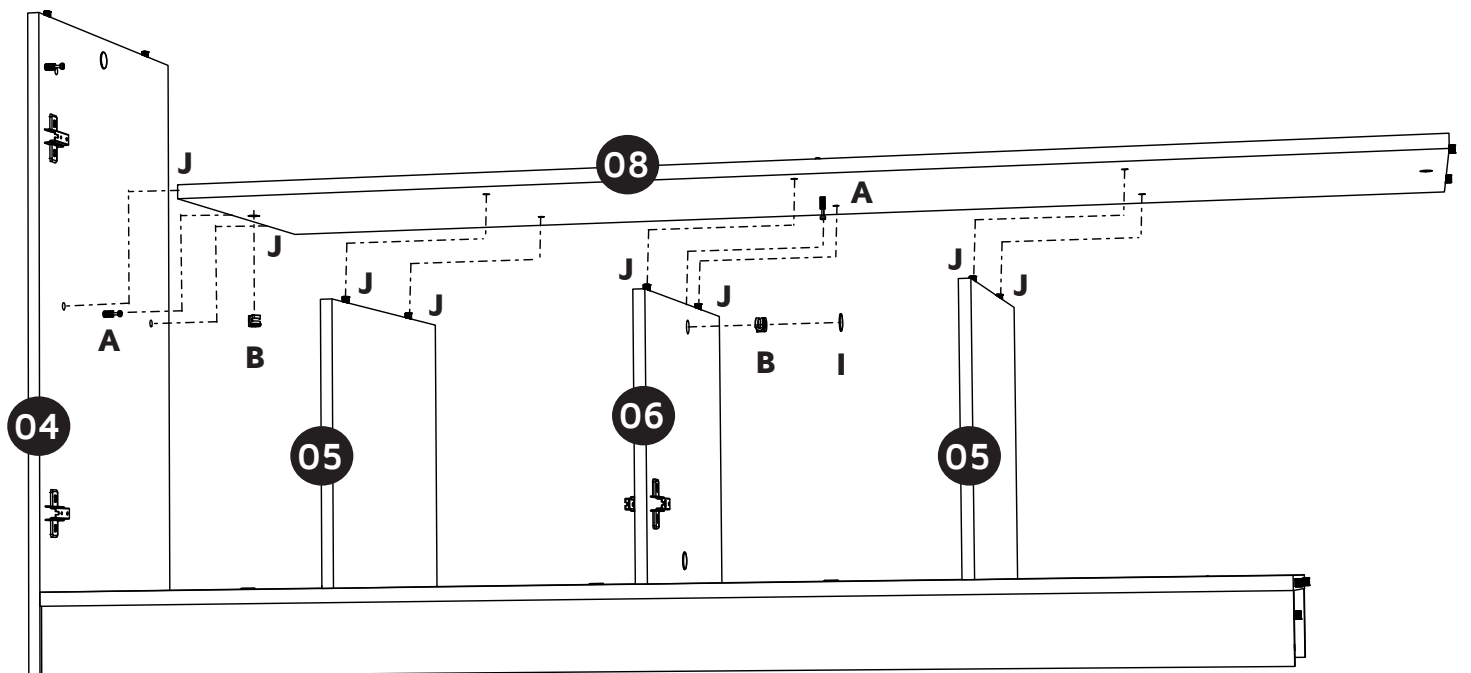
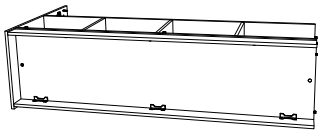
07



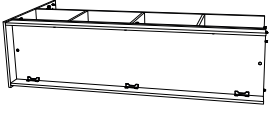
|   |   |   |   |
|---|---|---|---|
| <b>A</b><br>COD. 0599   | <b>B</b><br>COD. 10063  | <b>I</b>  | <b>J</b><br>COD. 0329   |
|  |  |  |  |





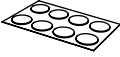



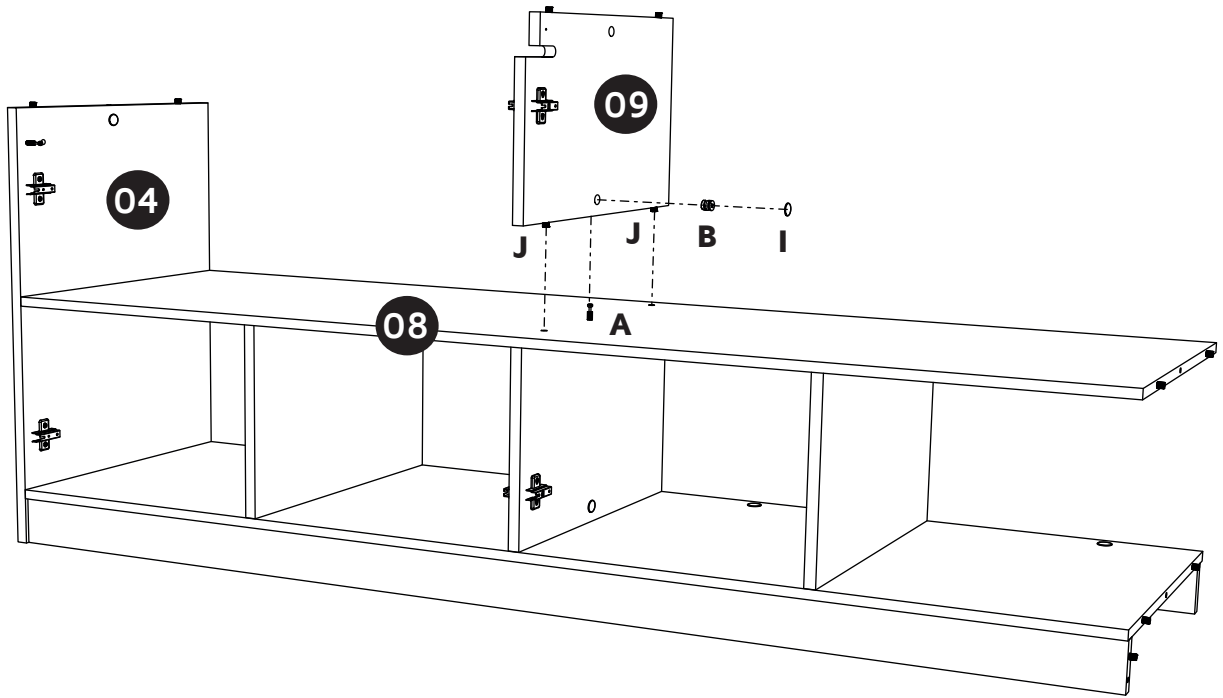
08



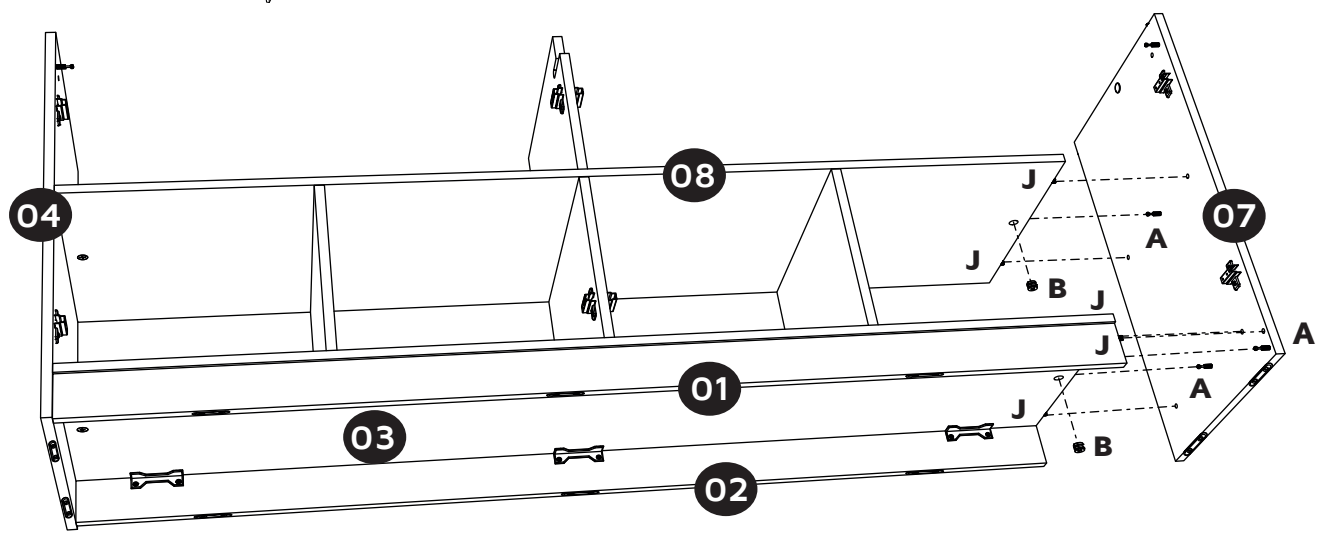
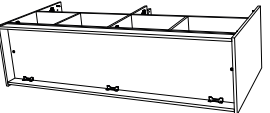
09



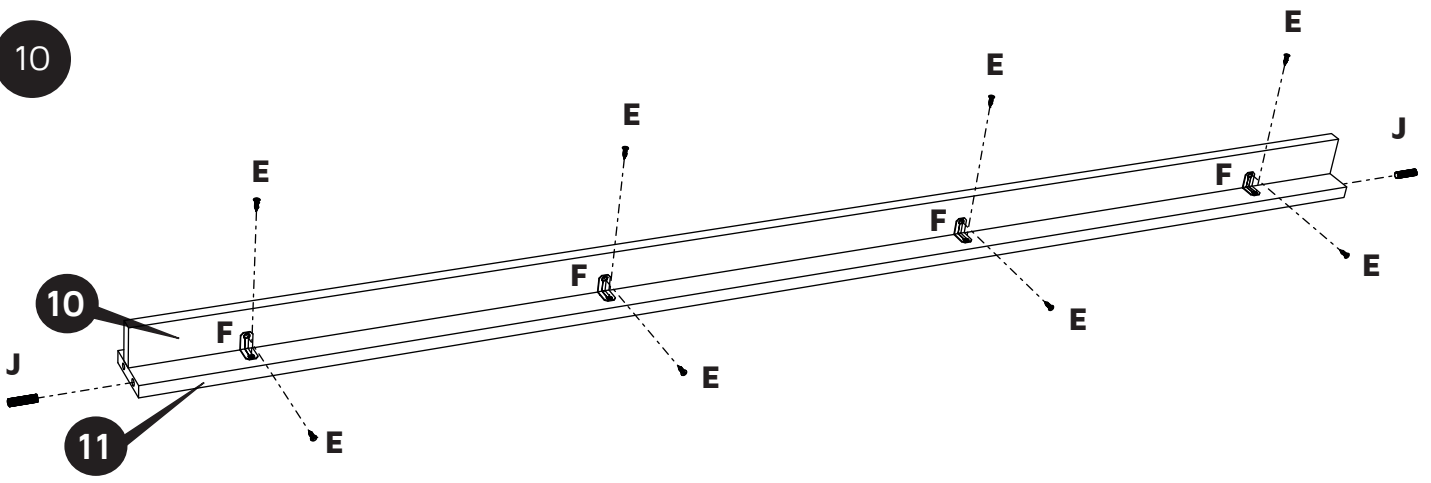
|  |   |  |  |   |  |
|--|---|--|--|---|--|
| <b>A</b><br>COD. 0599<br> | <b>B</b><br>COD. 10063<br> | <b>E</b><br>COD. 1533<br> | <b>F</b><br>COD. 1669<br> | <b>I</b><br> | <b>J</b><br>COD. 0329<br> |
|--|---|--|--|---|--|



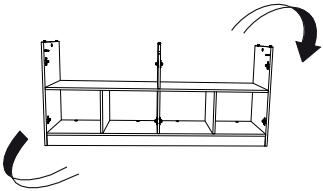
10



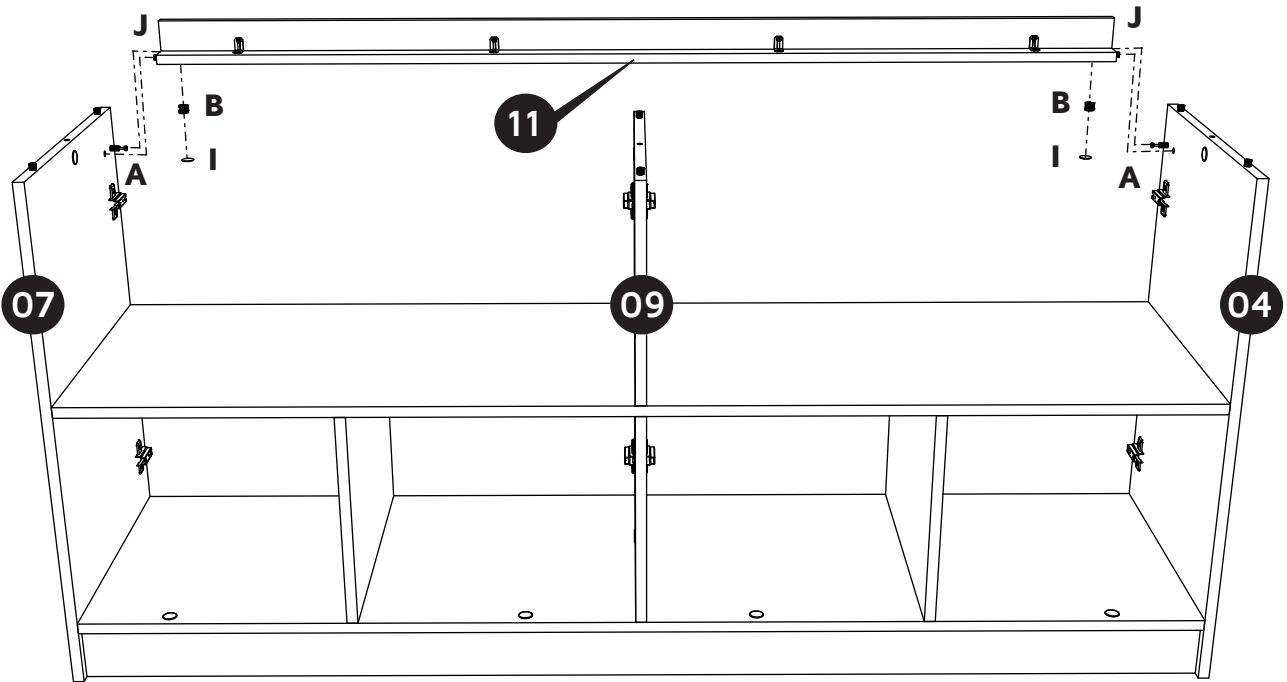
10



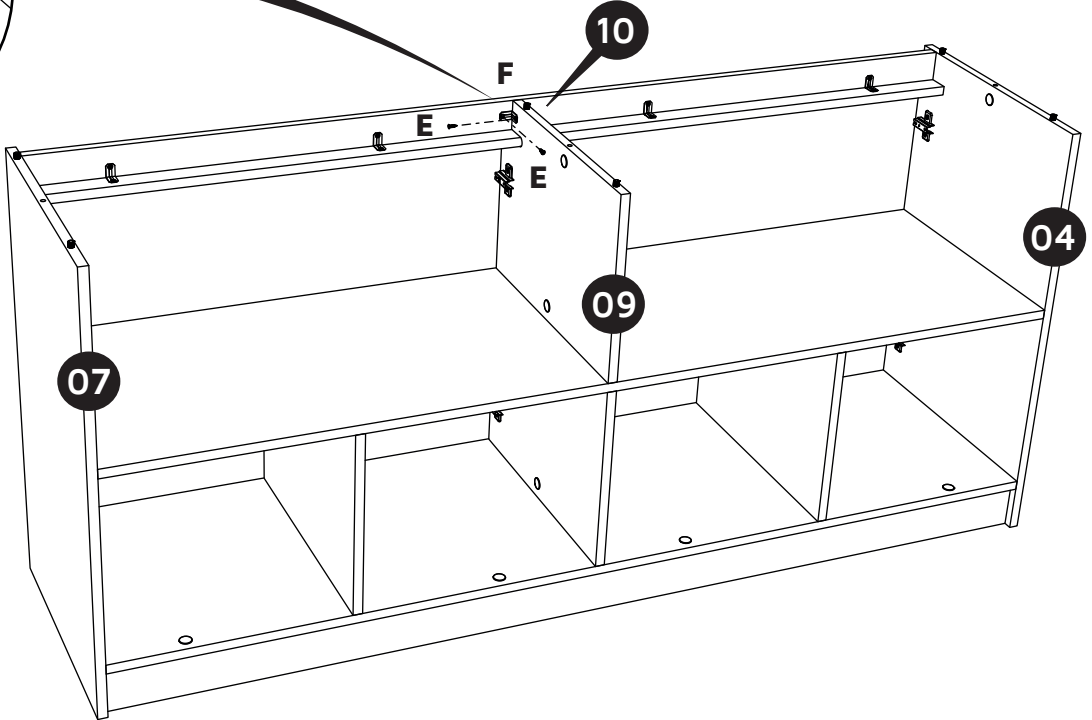
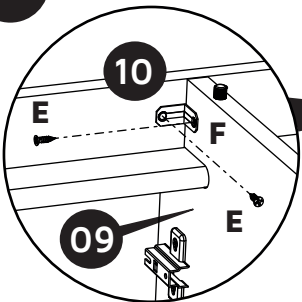
11



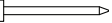


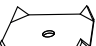


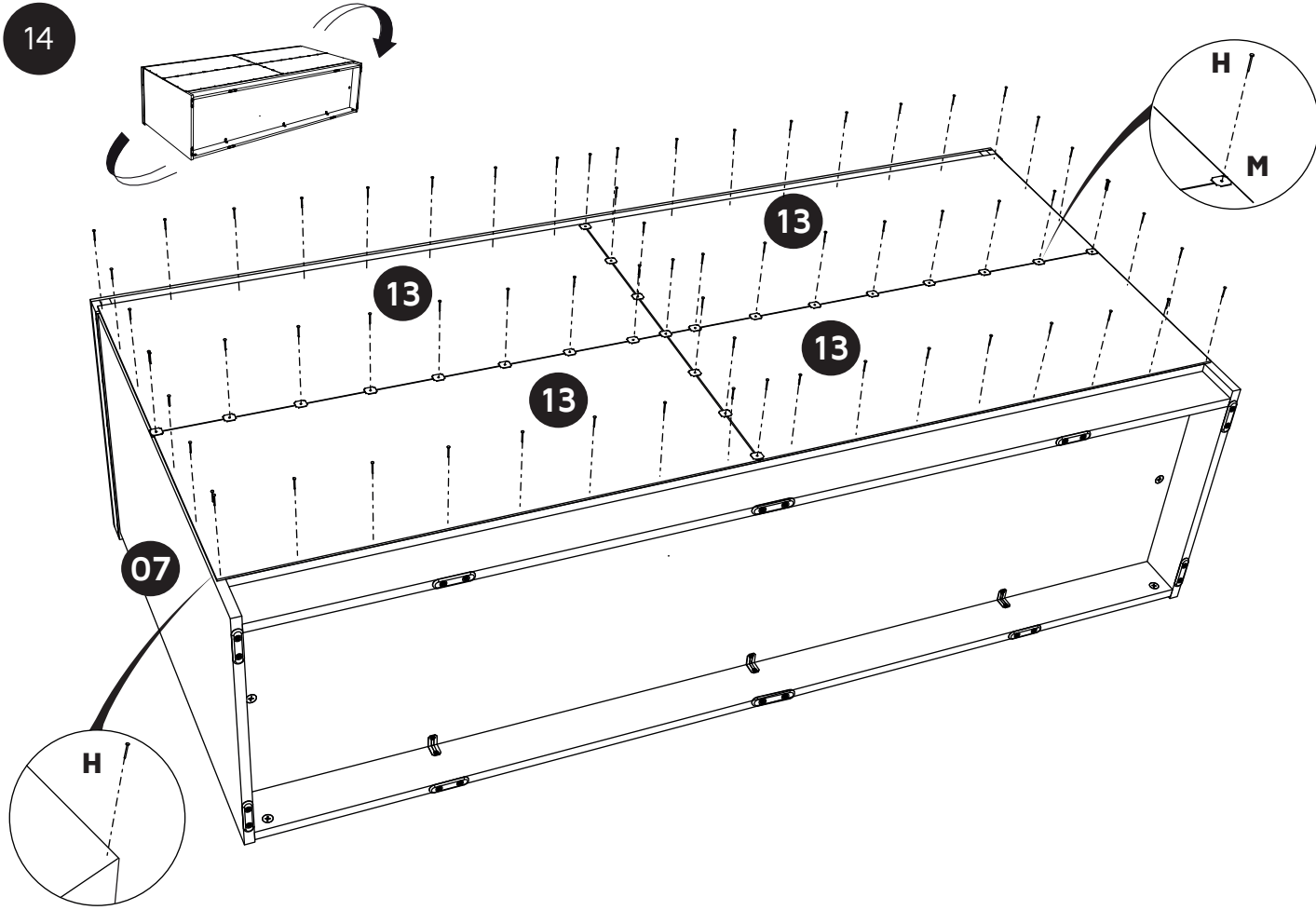
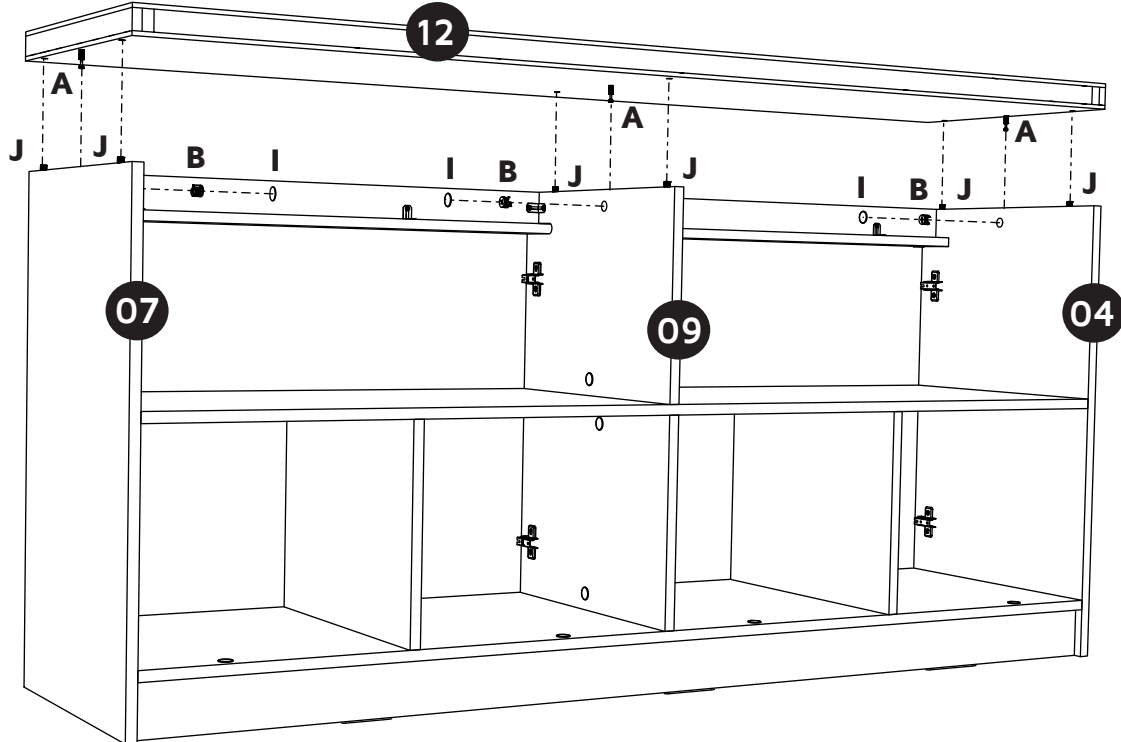
|                       |                        |                       |                       |          |                       |
|-----------------------|------------------------|-----------------------|-----------------------|----------|-----------------------|
| <b>A</b><br>COD. 0599 | <b>B</b><br>COD. 10063 | <b>E</b><br>COD. 1533 | <b>F</b><br>COD. 1669 | <b>I</b> | <b>J</b><br>COD. 0329 |
|                       |                        |                       |                       |          |                       |



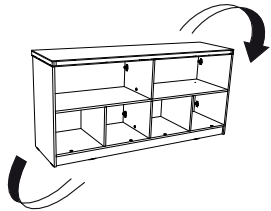
12



|  |   |  |   |  |  |
|--|---|--|---|--|--|
| <b>A</b><br>COD. 0599<br> | <b>B</b><br>COD. 10063<br> | <b>H</b><br>COD. 0357<br> | <b>I</b><br> | <b>J</b><br>COD. 0329<br> | <b>M</b><br>COD. 0342<br> |
|--|---|--|---|--|--|



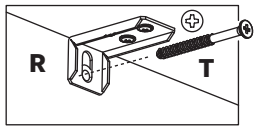
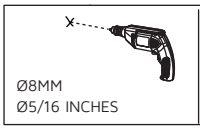
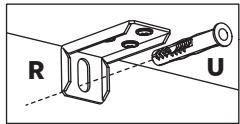
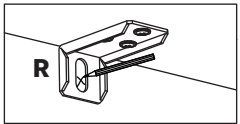
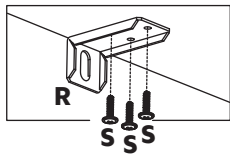
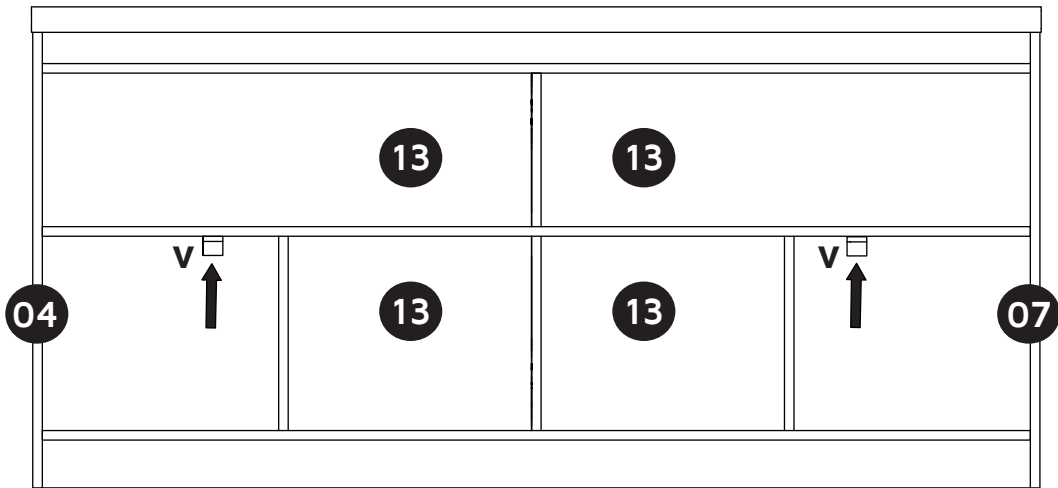
15



|                           |                           |                           |                           |                           |                           |                           |
|---------------------------|---------------------------|---------------------------|---------------------------|---------------------------|---------------------------|---------------------------|
| <b>D</b><br>COD. 7519<br> | <b>O</b><br>COD. 2511<br> | <b>R</b><br>COD. 3934<br> | <b>S</b><br>COD. 3557<br> | <b>X</b><br>COD. 6244<br> | <b>U</b><br>COD. 2088<br> | <b>V</b><br>COD. 5681<br> |
|---------------------------|---------------------------|---------------------------|---------------------------|---------------------------|---------------------------|---------------------------|



**Attention**  
Atención  
Attention



**It's mandatory to fix this safety device.**  
Es obligatorio adjuntar este accesorio de seguridad.  
Il est obligatoire de fixer cet accessoire de sécurité.

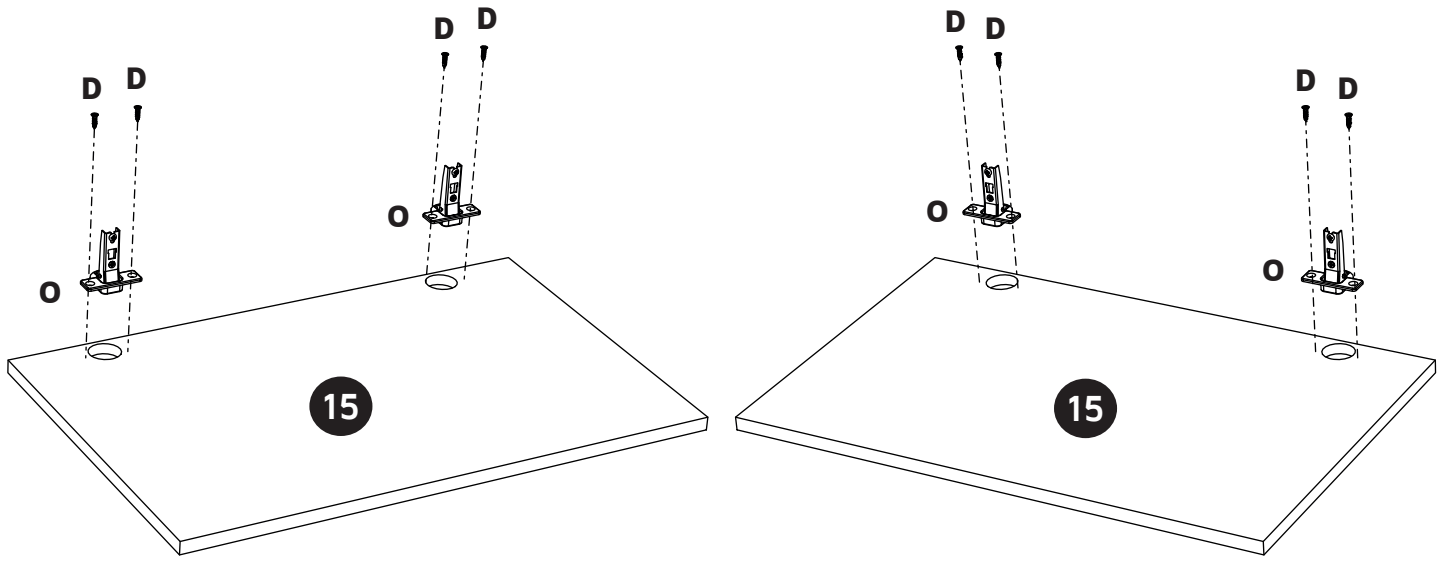
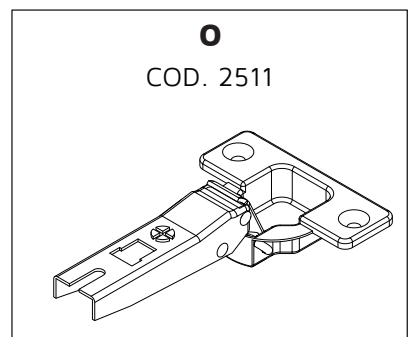
16



**Attention**  
Atención  
Attention

# OUTER HINGES

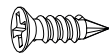
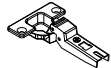
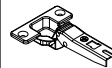
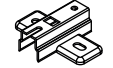
BISAGRAS EXTERNAS  
CHARNIÈRES EXTÉRIEURES



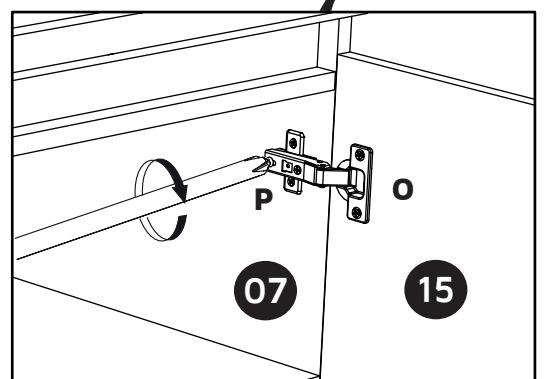
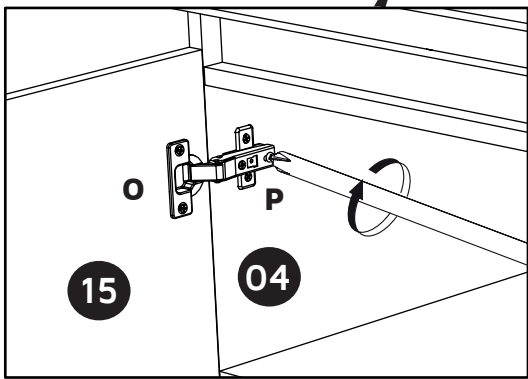
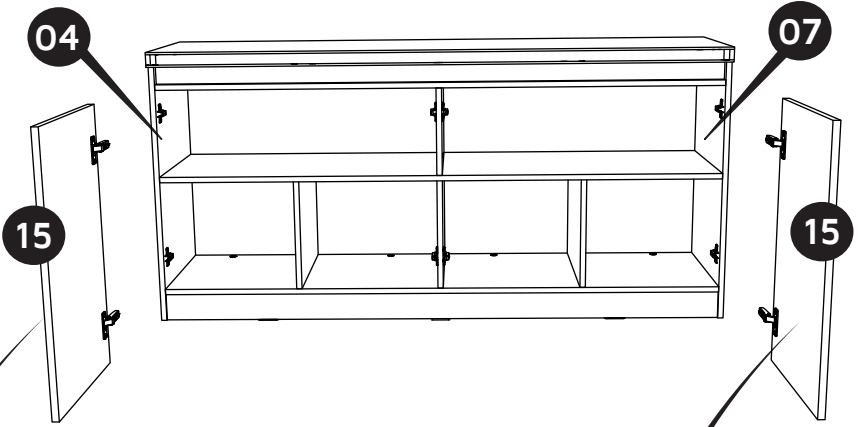
17



**Attention**  
Atención  
Attention

|  |   |   |   |
|--|---|---|---|
| <b>D</b><br>COD. 7519<br> | <b>N</b><br>COD. 2510<br> | <b>O</b><br>COD. 2511<br> | <b>P</b><br>COD. 4462<br> |
|--|---|---|---|

**OUTER** HINGES  
BISAGRAS EXTERNAS  
CHARNIÈRES EXTÉRIEURES

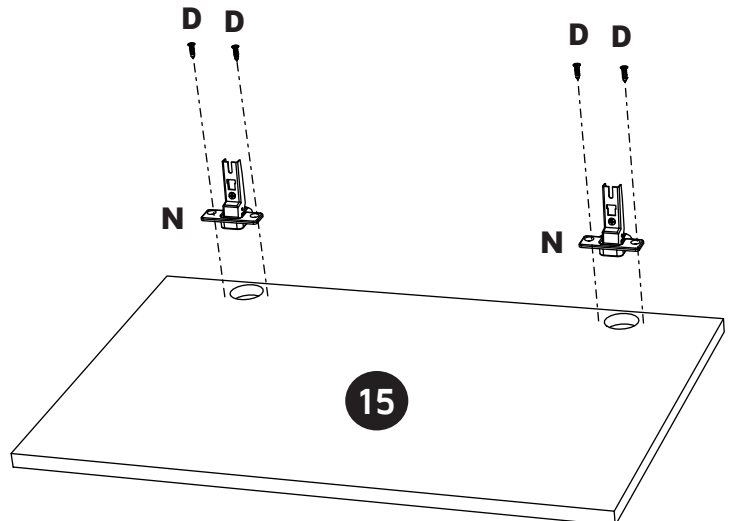
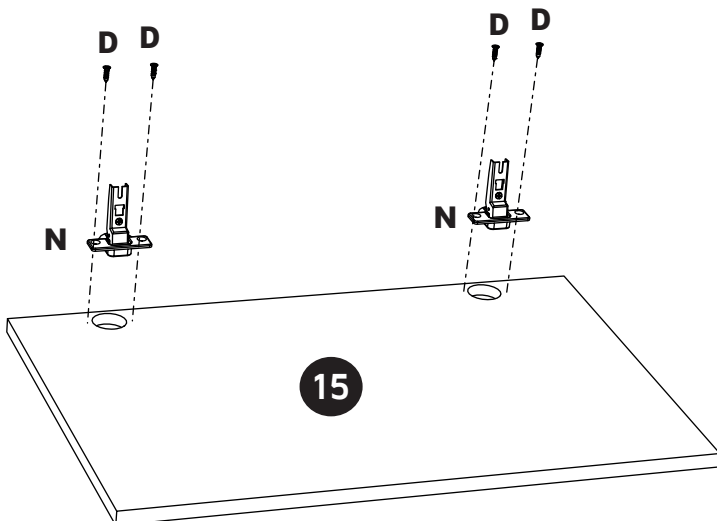
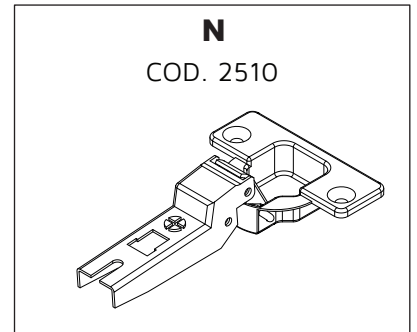


18



**Attention**  
Atención  
Attention

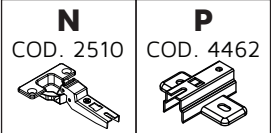
**INNER** HINGES  
BISAGRAS INTERNAS  
CHARNIÈRES INTÉRIEURES



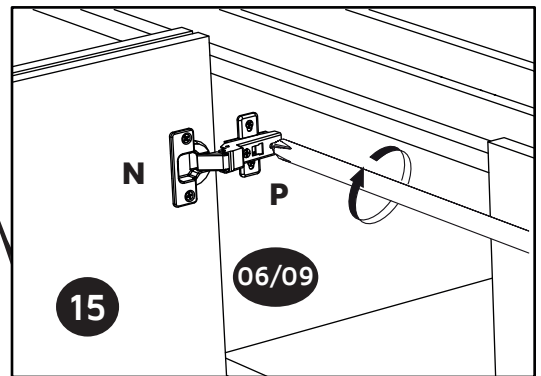
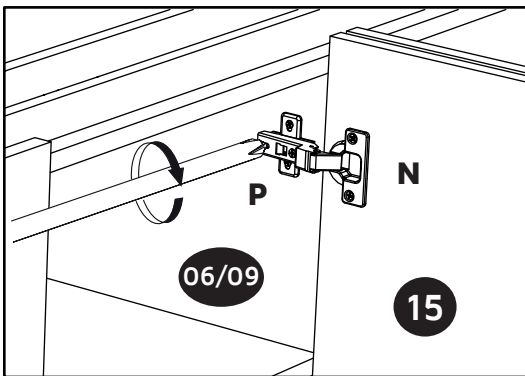
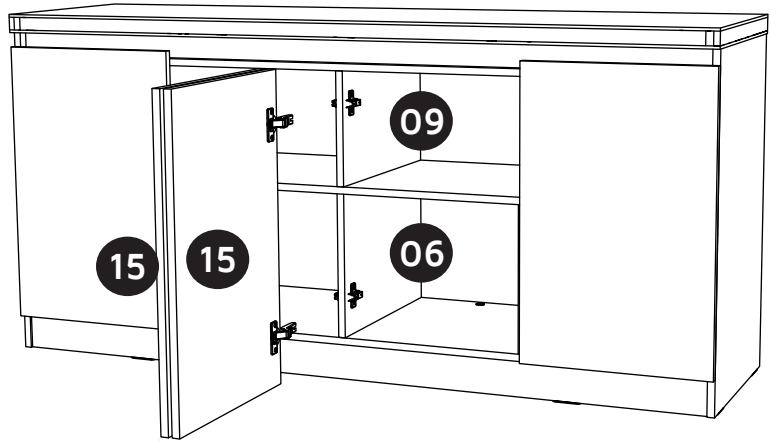
19



**Attention**  
Atención  
Attention



**INNER HINGES**  
BISAGRAS INTERNAS  
CHARNIÈRES INTÉRIEURES



20

**HINGE ADJUSTMENT**  
AJUSTE DE LAS BISAGRAS  
RÉGLAGE DES CHARNIÈRES

