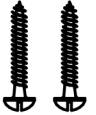
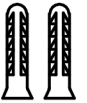
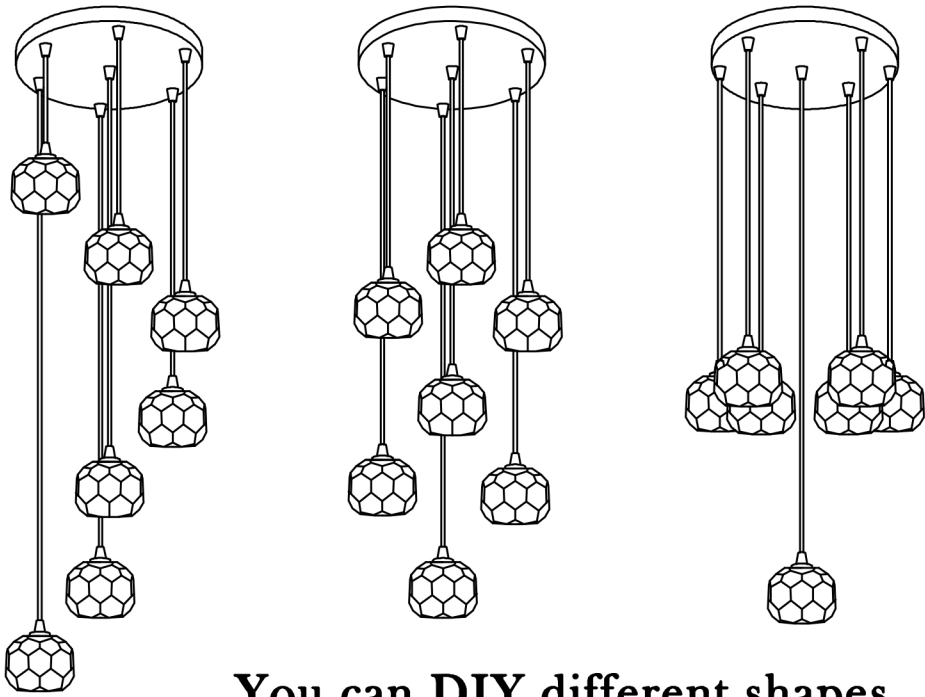
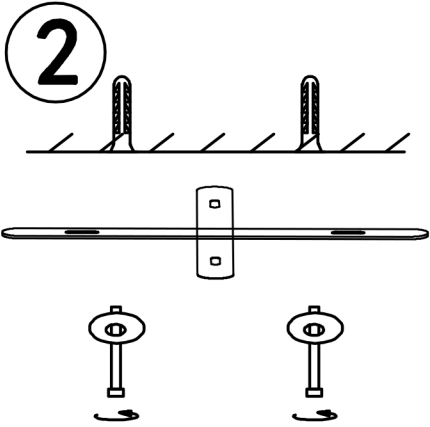


1



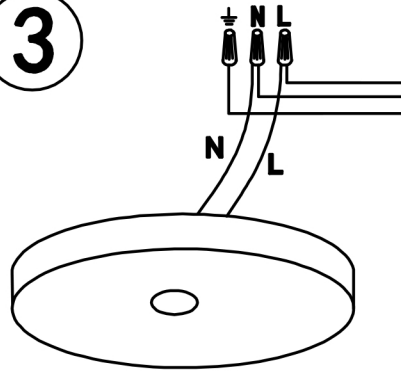
You can DIY different shapes

2



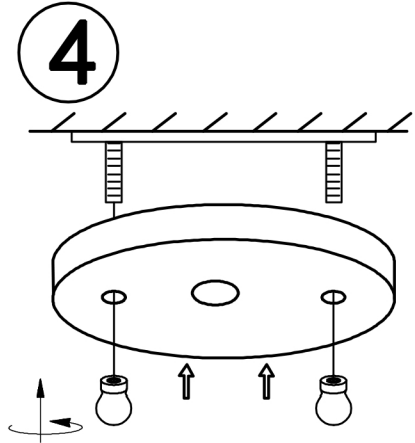
take down the bracket from chassis then fixed it to the ceiling

3

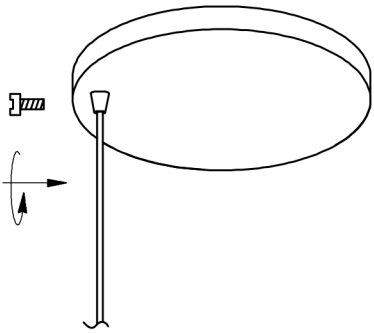


Please make sure to cut off the power when installing

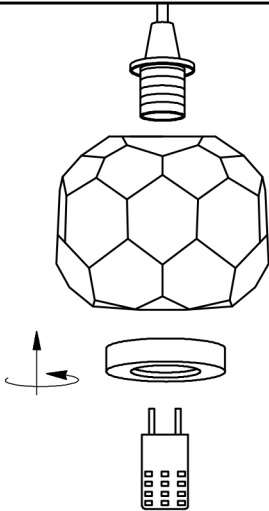
4



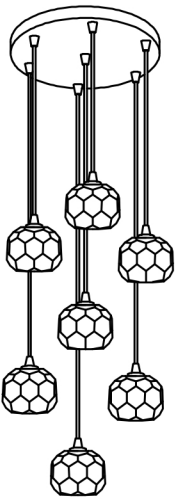
Tighten the screws on the size and fix the lamp to the ceiling



adjust the wires height by here



Attach the crystal and lamp holder well



Adjust the length of the rope to get the shape you like