

CHAIR LIFT User Manual

AX10



VOCiC

CONTENTS

Table of Contents

I.Safety Instruction	01
II.Product Information	04
III.Product Overview	05
IV.Installation Instruction	06
V.Operation Instruction	09
VI.After-sales Service	16
VII.Troubleshooting	17
VIII.Appendix	18

I. Safety Instruction

Mandatory Procedures

- Thank you for choosing a VOCIC product. Please read this manual carefully before first use, as it will familiarize you with the VOCIC Electric Chair Lift - AX10 and simplify its operation.
- Retain this manual for reference by anyone who may come into contact with or use this product.
- The Chair Lift - AX10 is intended solely for its designed purpose. Do not use it as a stand, ladder, support, or for any similar purposes.
- Assess users first to ensure suitability. Consider factors such as weight, body shape, cognitive abilities, and joint mobility. The chair lift should not be used by anyone for whom it is not suitable. When in use by individuals with disabilities, ensure a companion or an alert system is nearby.
- Prior to use, have an assistant or professional verify that the environment meets the necessary conditions for use.
- Before each use, inspect all components of the device for completeness and damage. Have an assistant or professional conduct an annual inspection of the equipment.
- Before each use, check that the rails, the crossing parts, and the surface of the seat are clean, stain-free, and devoid of debris.
- When using the lift, the user should sit down slowly and calmly to avoid overstimulation and potential damage to the chair lift.
- Operate the lift using the provided hand controller.

- 10. The Chair Lift - AX10, its charger, and hand controller are robustly built, but should not be dropped. If you observe any visible and/or audible signs of damage, do not use the chair lift and notify us immediately. For contact details, please refer to the "After-sales Service" section.

Prohibited Actions

- Do not overload the chair lift.
- Do not stand on the chair lift.
- Do not sit in the lift facing the opposite direction of intended use.
- Do not use on steep slopes (greater than 5 degrees) or stairs.
- Do not use if any parts are missing.
- Keep children and animals away from the chair lift.
- Do not reach into moving parts or under the seat during use and maintenance.
- Do not modify the equipment in any way.
- Avoid using objects that could become lodged in the mechanism (such as brushes) while using the chair lift.
- Do not operate the chair lift if it is malfunctioning.

Battery, Charger, and Hand Controller Cautions

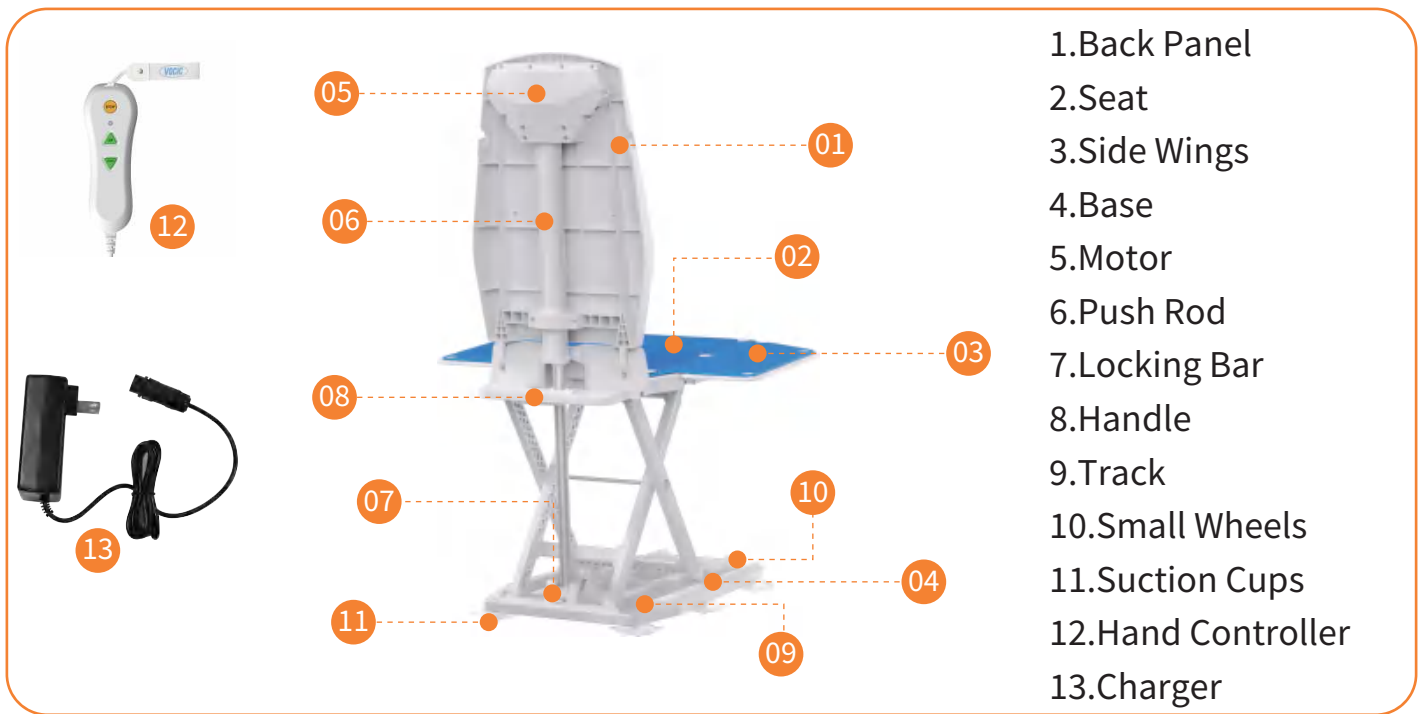
- If the device is not in use for extended periods, charge the battery once a month to prolong the life of the equipment.
- Battery capacity may reach its optimum state after several charge cycles.
- Use the designated charger provided to charge the hand controller.
- The charger is designed exclusively for the hand controller and should not be used for any other purpose.
- Do not attempt to disassemble the charger.
- Avoid charging near water or heat sources.
- The charger is equipped with a charging protection mechanism and will automatically cut off power once the battery is fully charged.
- Do not place the hand controller near heat sources.
- Do not attempt to disassemble the hand controller.
- Recharge the hand controller immediately when battery power is low. Avoid using it when it indicates a low battery.
- The indicator light on the hand controller will turn green when fully charged. Total charging time is approximately 2.5 hours.
- If the charger or hand control is lost or malfunctioning, replacements can be purchased on the Amazon. If within the warranty period, please contact us for a replacement (For contact details, please refer to the "After-sales Service" section).

II. Product Information

- The Chair Lift - AX10 is specifically designed to offer convenience and safety to the elderly, individuals with disabilities, those at risk of falls, and their families.
- The AX10 is capable of safely lifting or lowering a person. It is recommended for individuals with significantly reduced lower limb mobility, those who are at risk of falling, or find difficulty in safely sitting down or standing up unaided.
- Constructed with high-quality plastic materials, the AX10 is lightweight yet sturdy. It has a maximum weight capacity of 300 lbs and the unit itself weighs 30 lbs.
- The AX10's motor, push rod, and hand controller are waterproof, ensuring safe operation even in damp environments. This also allows the chair lift to serve as a bath lift when secured in a bathtub, facilitating safe and private ingress and egress.
- By pressing the 'up' or 'down' buttons on the hand controller, the chair lift's seat height can be adjusted from a minimum of 3.4 inches to a maximum of 19.5 inches.
- A rechargeable lithium battery housed in the hand controller eliminates the need for the chair lift itself to be charged, freeing users from the constraints of power cords and outlets.
- The AX10 comes with two sets of suction cups for a broad range of applications. One set, designed for waterproofing, is suitable for smooth surfaces such as tile and marble and can be used to secure the chair lift in a bathtub. The other set is for non-smooth hard surfaces like wooden or concrete floors, ensuring excellent stability on carpets as well.

- Featuring small wheels, the Chair Lift - AX10 is designed for convenient storage when not in use, taking up minimal space. The wheels facilitate easy relocation of the folded chair lift, enhancing the equipment's convenience (for device movement only).

III. Product Overview



- 1.Back Panel
- 2.Seat
- 3.Side Wings
- 4.Base
- 5.Motor
- 6.Push Rod
- 7.Locking Bar
- 8.Handle
- 9.Track
- 10.Small Wheels
- 11.Suction Cups
- 12.Hand Controller
- 13.Charger

Specifications

Item Weight(lbs.)	27.8	Seat Width(inches)	15.8
Weight Capacity(lbs.)	300	Side Wings Width(inches)	28.7
Min Seat Height (inches)	3.15	Backrest Length(inches)	25.6
Max Seat Height (inches)	19.7	Base Length(inches)	24
Seat Depth(inches)	20.9	Base Width(inches)	15.4

IV. Installation Instruction

Chair Lift - AX10



Hand Controller



Charger



Cushion Snaps



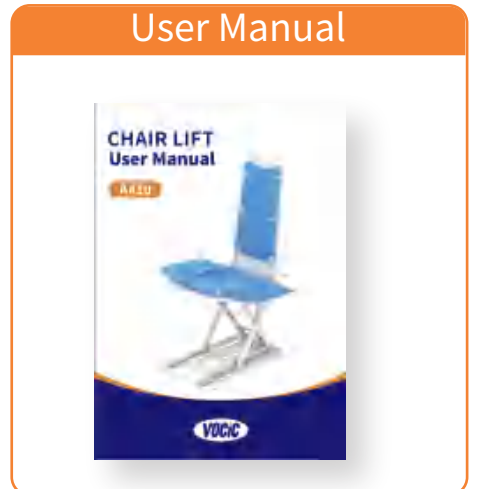
Waterproof Suction Cups



Stability Suction Cups



User Manual



Unboxing

- Upon receipt, please inspect the integrity of the shipping box. If any parts are missing or damaged, contact us (following the information provided in the "After-Sales Service" section). The package should contain the following components:
- a. Chair Lift - AX10, the main chair body with integrated backrest and seat cushion (battery not included)
- b. Hand Controller
- c. Charger
- d. 6 × Waterproof Suction Cups
- e. 6 × Stability Suction Cups
- f. 8 × Seat Cushion Snaps
- g. User Manual



Note:

- The charger is located within a white cardboard box inside the package.
- Waterproof Suction Cups are waterproof, highly adhesive, and can increase the chair lift's stability. If you wish to secure the Chair Lift - AX10 in a particular position (like on smooth indoor floors or inside a bathtub), you may choose to install them.
- Stability Suction Cups do not have adhesive properties but can enhance the chair lift's stability (including on carpeted surfaces). If you do not wish to fix the Chair Lift - AX10 in a specific location, these may be installed instead.

- Two sets of suction cups and eight seat cushion snaps are within a box inside the package.
- The shipping box can be retained for future use.

Installation of Suction Cups

- Select either the Waterproof Suction Cups or the Stability Suction Cups based on your intended usage scenario.

Installation Steps:

1. Take a suction cup and align the metal screw on top of the suction cup with one of the installation holes on the bottom of the chair lift.
2. Rotate the screw clockwise until the suction cup is firmly attached to the base.
3. Repeat the steps above to install all 6 suction cups.



Waterproof Suction Cups



Stability Suction Cups

- To secure the Chair Lift - AX10 in a bathtub or on a smooth indoor floor, please adhere to the following precautions:

Before Securing:

- a. Ensure that the suction cups are clean and dry.
- b. Ensure that the surface or bathtub where the chair lift will be secured is clean and dry.
- c. Verify that there is nothing underneath the chair lift, including any items or bathtub anti-slip mats.



Note:

- Before fixing the chair lift in a bathtub to use as a bath lift, ensure to measure the bathtub's dimensions.
- The AX10's base is 16 inches wide, with the width expanding to 28.5 inches when side wings are fully extended, and the seat reaches a maximum height of 19.5 inches. For those who wish to fully extend their legs while using it, a bathtub length of over 67 inches is recommended.

V. Operation Instruction

Prior to use

- Please ensure that the chair lift is placed on a suitable surface. The Chair Lift - AX10 should be used on a flat, indoor hard surface.
- Please inspect the bottom of the chair lift for any debris. If present, remove the debris.

- Please make sure that the hand controller is properly connected and functioning.

Hand Controller

- Depending on the user's weight, a fully charged battery can support up to 8 uses. During use, the indicator light will be on, showing the battery level.

Emergency Stop

- If the chair lift fails to stop normally, press the emergency stop button to halt it immediately.
- Pressing the emergency stop during descent will lock the lowering function. To resume normal operation, raise the seat to its highest position before attempting to lower again.

Emergency Stop

UP

DOWN

Green:
Battery above 30%

Blue:
Battery between 10% - 30%

Red:
Battery below 10%

Chair lift must be charged immediately!

Using the Chair Lift - AX10 in a Bathtub

- 1. First, ensure that the plugs connecting the hand controller and the chair lift are dry and clean.
- 2. Connect the hand controller and the chair lift correctly and completely.
- 3. Extend the side wings of the chair lift so that they rest against the sides of the bathtub.
- 4. Use the hand controller to adjust the seat height to the same level as the bathtub's edge. To lower the chair lift, press the down button; to raise it, press the up button.
- 5. The user should sit on the chair lift slowly and calmly. If unable to do so unassisted, seek help.
- 6. Press the down button to lower the chair lift.
- 7. After bathing, press the up button to raise the chair lift to an appropriate height.
- 8. The user may then exit the bathtub from the side of the chair lift.

 **Warning:**

- Do not leave the user alone in the bathroom for extended periods!
- If the chair lift is to remain in the bathroom for an extended time, disconnect the hand controller from the chair lift after use!



Using the Chair Lift - AX10 in Other Settings

- 1. First, ensure that the plugs connecting the hand controller and the chair lift are dry and clean.
- 2. Properly and completely connect the hand controller and the chair lift.
- 3. Extend the side wings of the chair lift.
- 4. The user should sit on the chair lift slowly and calmly. If unable to do so unassisted, seek help.
- 5. Gently lean back against the chair (avoid using excessive force to prevent damage to the connecting points).
- 6. Use the hand controller. To lower the chair lift, press the down button; to raise it, press the up button.

- 7. When moving up or down, keep your hands on your knees and maintain a calm and relaxed posture.
- 8. Upon reaching the desired height, release the up or down button to stop the chair lift.
- 9. The user can exit the chair lift from the front (recommended) or the side.



Storing the Device

- When not in use, the Chair Lift - AX10 can be folded and stored flat under a bed or a table. Do not place any objects on top of the folded chair lift.

Moving the Device

- 1. Fold the chair lift.
- 2. Grasp the plastic handle at the back of the base of the folded chair lift.
- 3. Using the handle, stand the folded chair lift upright and tilt it.
- 4. Move the device using the small wheels.



Warning:

- The small wheels are designed solely for moving the device! Do not use them for any other purpose.



Maintenance of the Chair Lift - AX10

- The Chair Lift - AX10 requires a routine maintenance check at least once every 12 months. This check includes a visual inspection of all parts, especially the load-bearing components. It also encompasses all necessary functional tests. If the inspection reveals any defects, wear, or other signs of damage that could affect the safety of the Chair Lift - AX10, the device must be taken out of operation until the defects are rectified.

Maintenance of Backrest and Seat Cushions

- The cushions are made of PVC leather, which is easy to clean. Use a soft cloth or sponge to wipe the surface. Warm water or mild cleaning agents can be used, but avoid strong detergents. Prevent prolonged exposure to sunlight to avoid fading or cracking of the surface. Avoid contact with sharp objects to prevent scratches. In case of water or oil stains, gently wipe them off with a clean cloth immediately to prevent permanent staining.

Maintenance of the Charger

- The charger requires no special maintenance. Its exterior can be cleaned with a solvent-free mild cleaner or a damp cloth. Ensure that no liquid enters the charging device. Before using the charger again, make sure it is completely dry. If necessary, store the device in a dry, well-ventilated place for a few hours, and do not connect it to the main power supply.



Warning:

- Ensure the charger is completely disconnected from the main power source before cleaning!

VI. After-sales Service

- a. Our product comes with a one-year warranty starting from the delivery date.
- b. For any issues with the Chair Lift - AX10, Hand Controller, or Charger within this period, please contact us. Reach out through your Amazon order or by emailing us at [support@vocic.com].
- c. An exclusive offer: Contact us via email to receive an electronic warranty card, which extends your warranty by an additional six months.

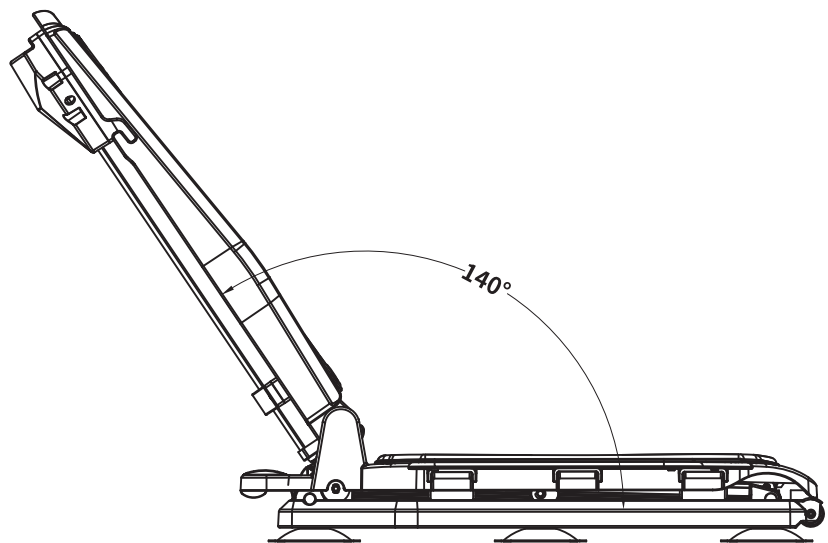
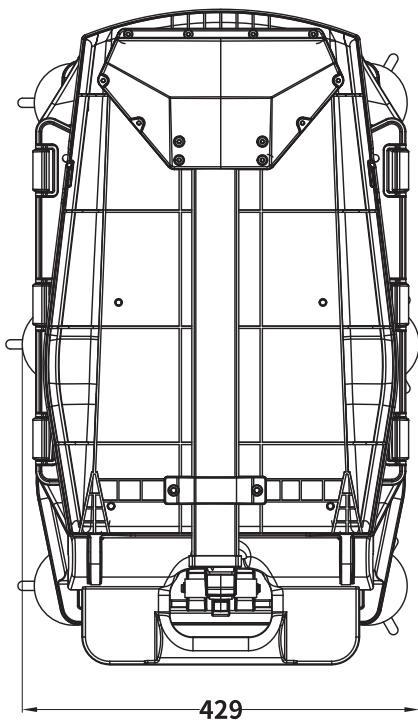
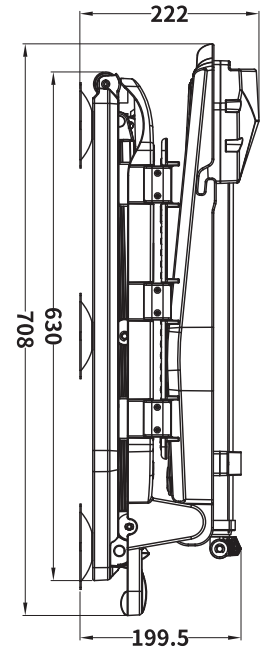
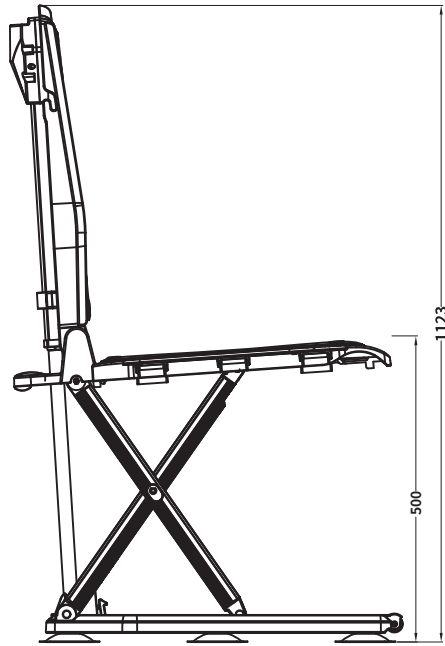
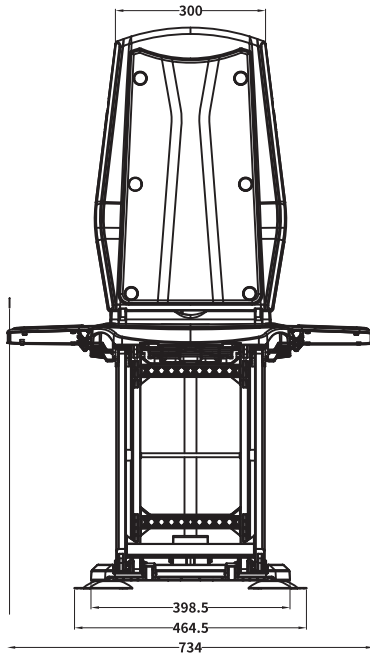
Return Policy

- While the return window on the Amazon is limited to 30 days, we offer an extended commitment to our customers. If you are not satisfied with the product or it does not meet your expectations, we accept returns within 3 months from the date of purchase. Please contact us to initiate the return process.

VII. Troubleshooting

- If you encounter a situation where the Chair Lift - AX10 stops functioning during use, please follow these steps to troubleshoot:
- 1. Check if the hand controller is correctly and fully connected to the chair lift.
- 2. After ensuring the connection is secure, press the UP or DOWN button and observe if the indicator light on the hand controller illuminates properly.
- -If it does not illuminate, charge the hand controller for 3 hours.
- -If it illuminates but the light is red, charge the hand controller for 3 hours.
- 3. If, after ensuring the hand controller is charged, the chair lift still does not operate, or if the indicator light on the hand controller remains off after charging, please contact us for assistance. (Refer to the “After-sales Service” section for contact details.)

VIII. Appendix





Your Family Rehabilitation Partner

 If you have any questions, please contact us:

 support@vocic.com

 833-879-9376