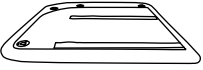


installation instructions

Compression must wait for 72 hours before it can be unfolded, and it needs to be flapped by hand

Parts list 1

A



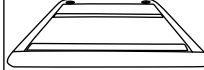
Left Seat
X1

B



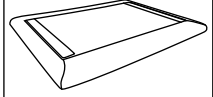
Right seat
X1

C



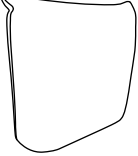
Seat frame
X3

D



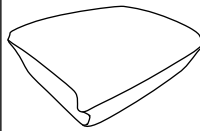
Foot position
X1

E



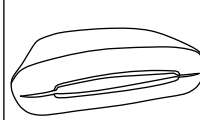
Backrest
X5

F



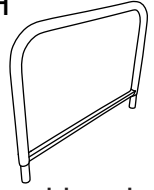
Seat cushion
X6

G



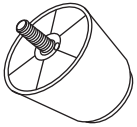
Handrail
X2

H



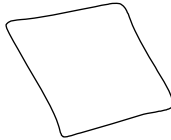
Fixed bracket
X7

I



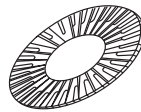
Sofa leg
X26

J



Throw pillow
X5

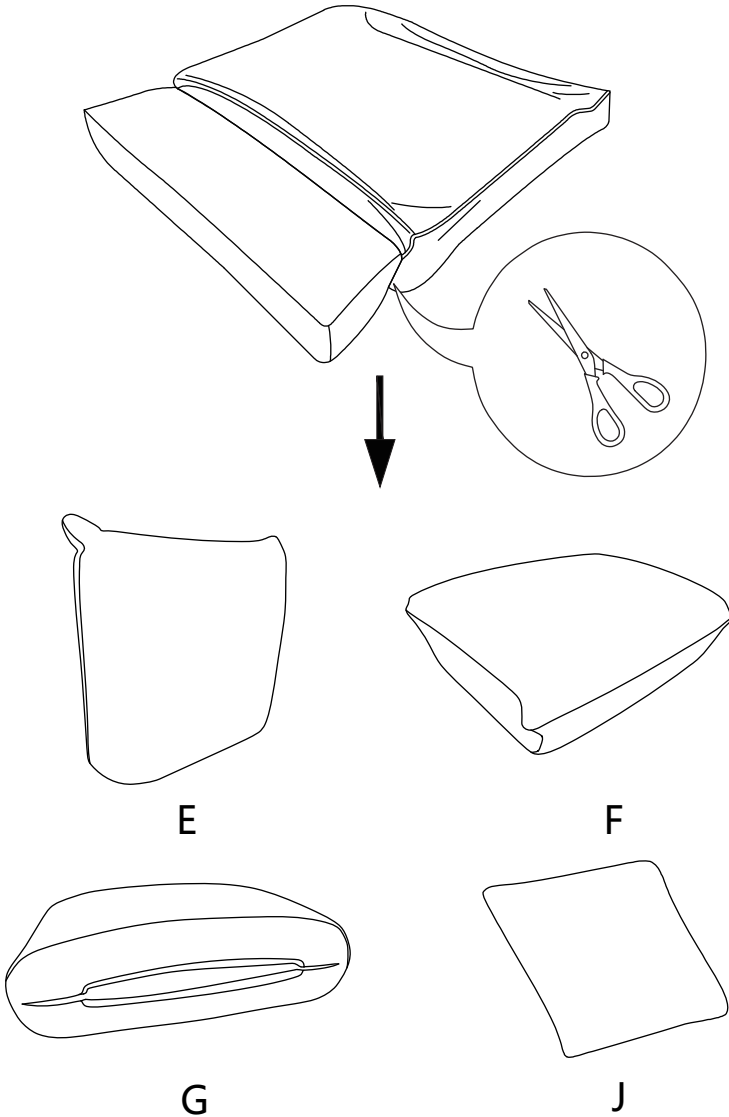
K



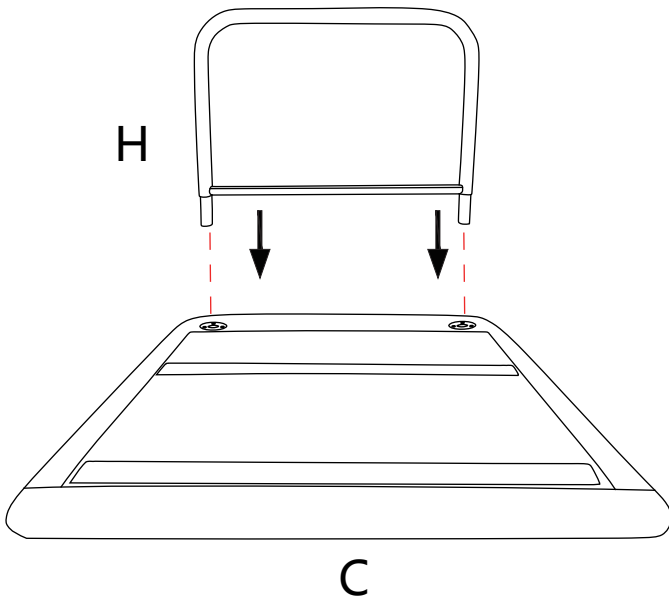
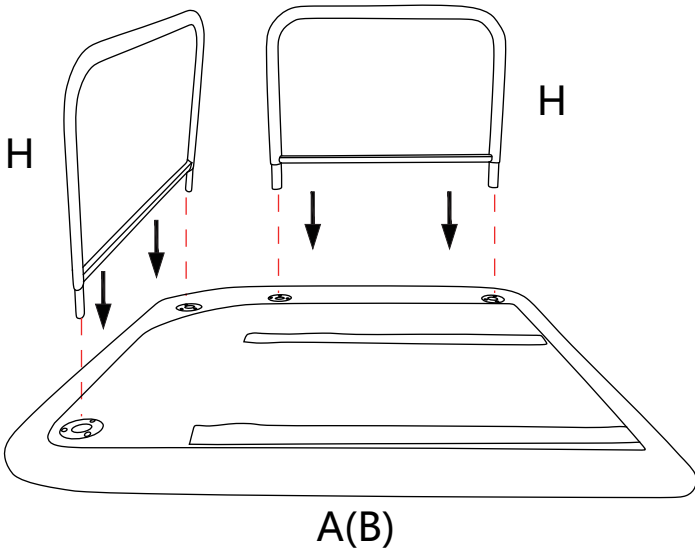
Gasket
X26

Installation Step 1

Open the carton, remove the compression bag, cut the compression bag (beware of sharp objects scratching the interior of the sofa), and wait for the sponge to bounce back.

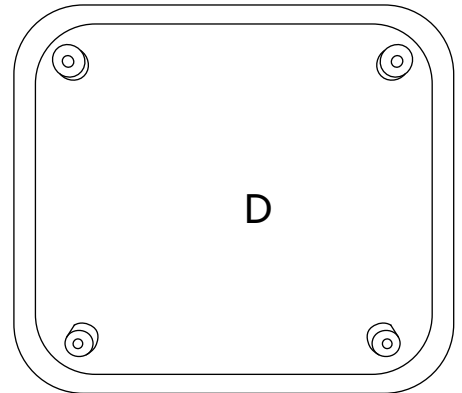
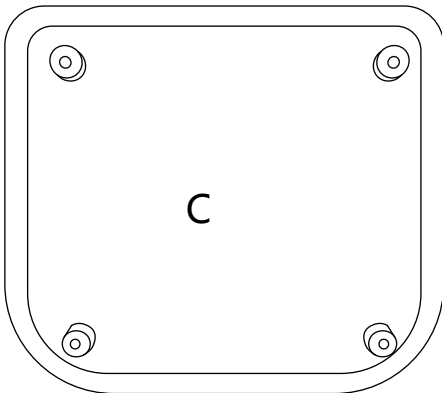
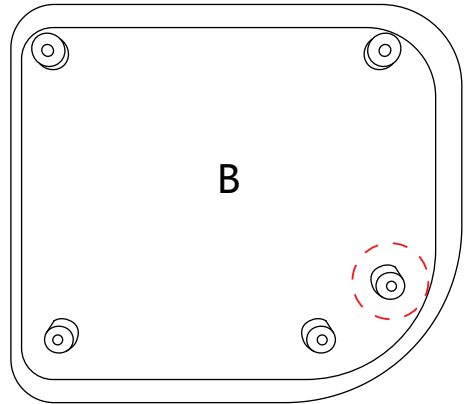
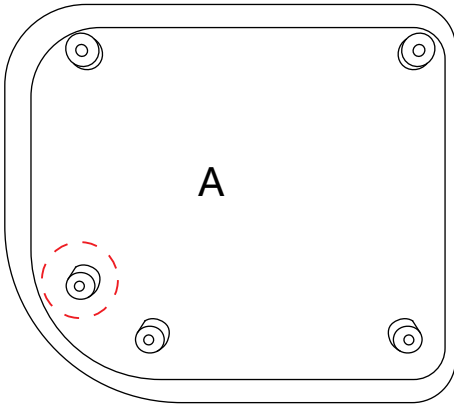
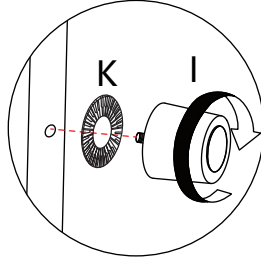


Press the support frame (H) from the top down into the holes above the three seat frames to ensure that all are pressed into the bottom.



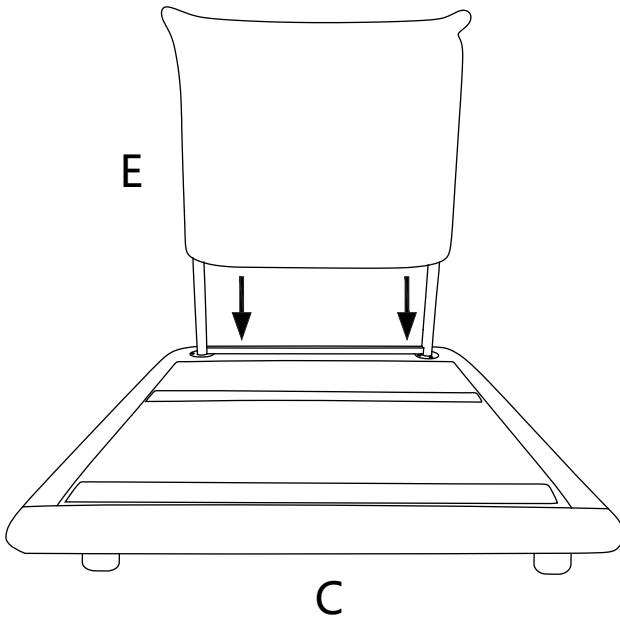
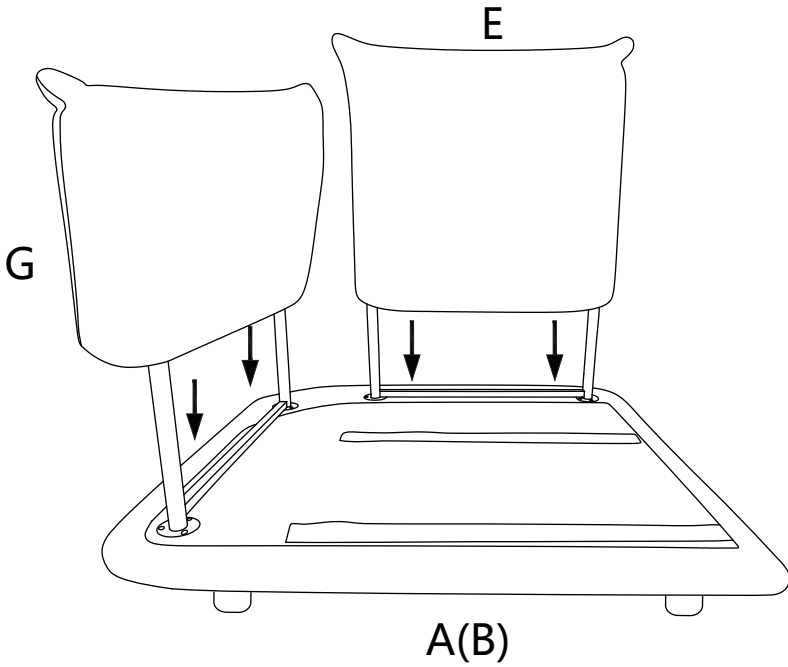
Installation Step 3

Flip all the seat frames (A&B&C&D) to the bottom and install all the round feet (I) into the corresponding holes. Note: The sofa legs marked by the red circles on the left and right seat frames (A&B) are the holes installed at the bottom of the Fixed brackets, so the Fixed brackets need to be installed in advance.



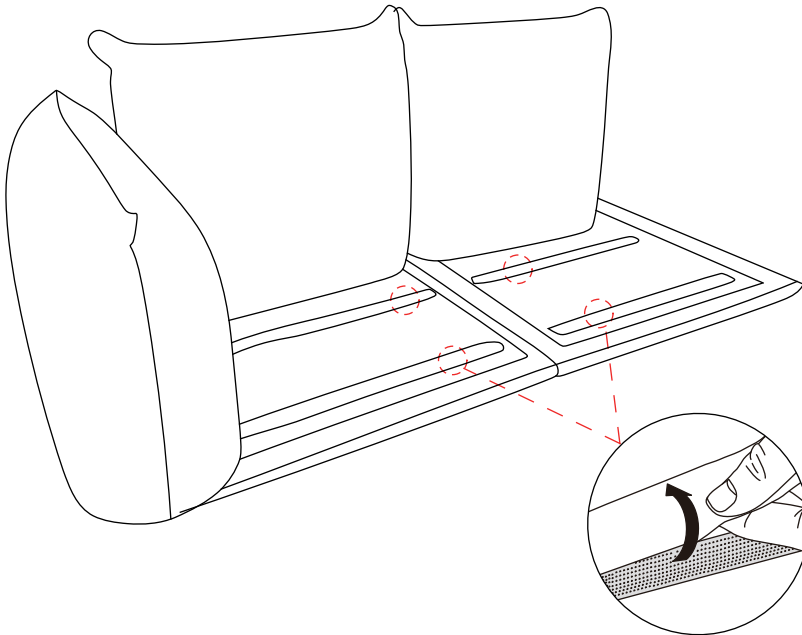
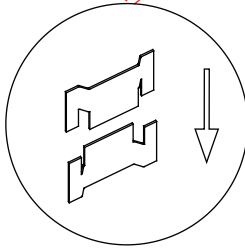
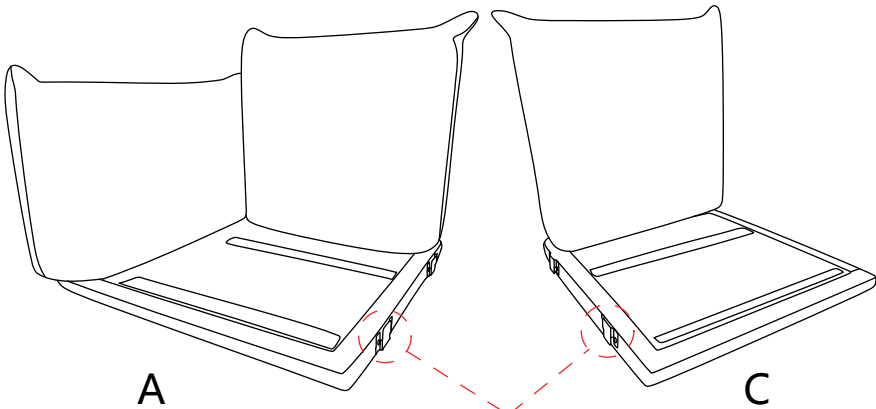
Installation Step 3

Just insert the armrest (G) and backrest (E) into the support frame from top to bottom.



Installation Step 4

Fasten the mouth facing down plug-in from top to bottom to the entrance facing up plug-in to complete the combination of seats. Finally, tear the sticky cloth off the seats.



Installation Step 5

Finally, only the seat cushion (F) and throw pillow (J) need to be placed on the sofa, and this product can be arbitrarily combined with the number of products purchased by users.

