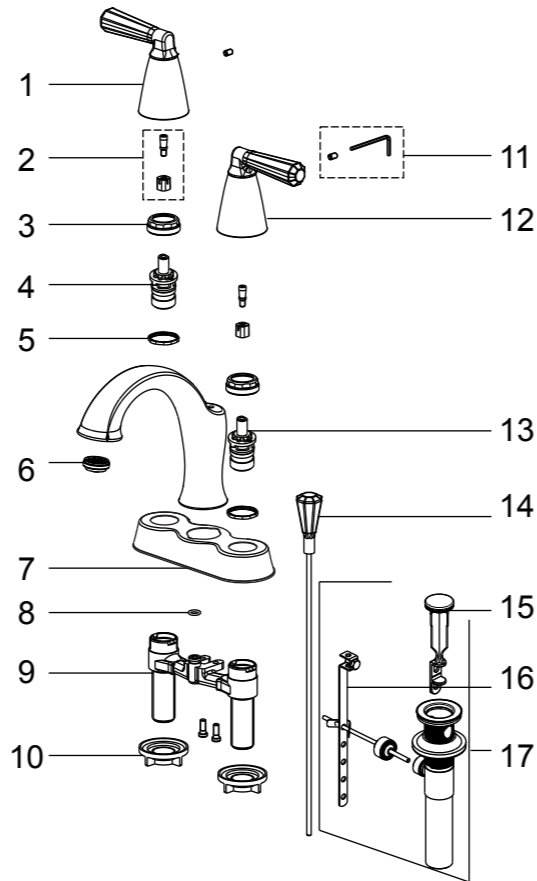


Replacement Parts / Pièces de rechange / Repuestos

NO.	Description	Part No.
1	Handle (Hot)	5C0001900CP0
2	Connector Assembly	9Q229700CZ
3	Nut	5T1C0213NT
4	Cartridge (Hot)	5D8003000NT0
5	Washer	5T1C0211NC
6	Aerator	5E0004100PL0
7	Base Assembly	9Q230100CP/AP/HA
8	O-Ring	52006913PL
9	Body	5A0005900NT7
10	Nut	52006918PL
11	Screw & Allen Key	9Q229600NT
12	Handle (Cold)	5C0001901CP0
13	Cartridge (Cold)	5D8003100NT0
14	Lift Rod	5Y0159700CP/AP/HA0
15	Drain Plug Assembly	622012052
16	Leverage Assembly	9Q230000NT
17	Pop-Up Assembly	5Y0M0088CP/AP/HA



UF45910
UF45913
UF45915
UF45917

Z Series

Two Handle Lavatory Faucet



Installation/Installation/Instalación

CUSTOMER SERVICE

TOLL-FREE 1-888-OK-ULTRA (658-5872)

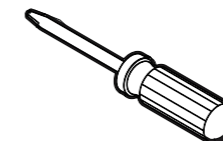
UF45910 - Polished Chrome
UF45913 - PVD Brushed Nickel
UF45915 - Oil Rubbed Bronze
UF45917 - Matte Black



Tools You Will Need / Outils dont vous aurez besoin / Herramientas necesarias



Adjustable Wrench
Clé à molette
Llave ajustable



Phillips Screwdriver
Tournevis Phillips
Destornillador cruciforme



Pipe Tape
Ruban pour tuyau
Cinta selladora para rosca



Groove join pliers
Pince multiprise
Pinzas ajustables

Limited Lifetime Warranty

Ultra Faucets warrants to the original purchaser that its products will be free from defects in workmanship and materials. All Ultra Faucets are provided with a life time limited warranty. This warranty does not cover any other labor or service charges associated with the removal, repair, or reinstallation of Ultra Faucets products. This express warranty does not apply to products that have been damaged as a result of misuse, abuse, negligence, accident, faulty installation or maintenance practices and/or used in any manner contrary to those recommended by the manufacturer.

Need help? Please call our toll-free customer service line at 1-888-658-5872 for additional assistance or service.

Besoin d'aide? Veuillez communiquer avec notre service à la clientèle au numéro gratuit 1-888-658-5872 pour tous renseignements ou services complémentaires.

¿Requiere asistencia? Llame a nuestro Servicio al Cliente, sin costo, al 1-888-658-5872 para asistencia adicional o servicio.

SAFETY TIPS

- If you use soldering for the installation of the faucet, the seats, cartridges and washers will have to be removed before using flame. Otherwise, warranty will be void on those parts.
- Cover your drain to avoid losing parts.
- 0°C~55°C.

CONSIGNES DE SÉCURITÉ

- Si vous posez le robinet par brasage, il est essentiel de retirer les sièges, les cartouches et les rondelles avant d'appliquer la flamme, faute de quoi la garantie sur ces pièces sera annulée.
- Couvrez le drain pour ne pas perdre des pièces.
- 0°C~55°C.

CONSEJOS DE SEGURIDAD

- En el caso de utilizar soldadura para instalar el grifo, remueva los asientos, cartuchos y arandelas antes de usar la llama. De lo contrario, se anulará la garantía para esos componentes.
- Tape la boca del desagüe para prevenir la pérdida de piezas pequeñas.
- 0°C~55°C.

Installation/Installation/Instalación

