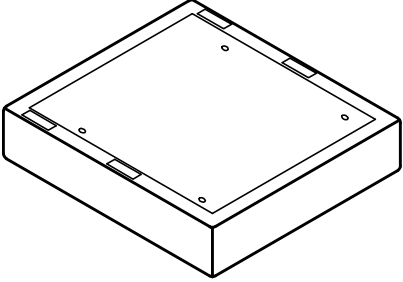
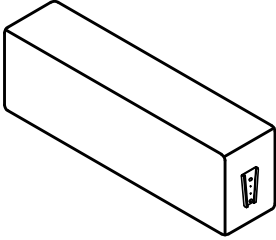
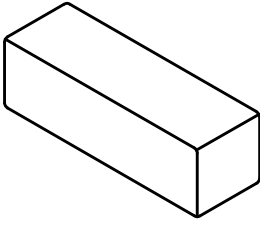
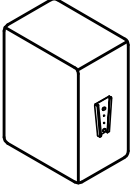
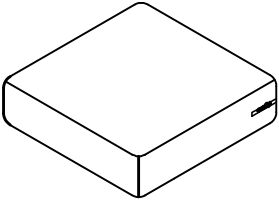
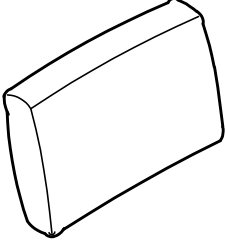
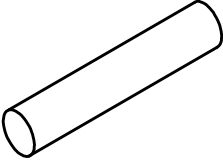
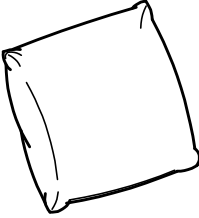
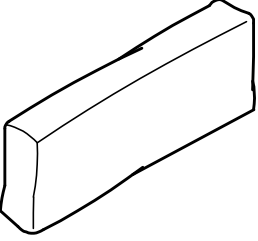
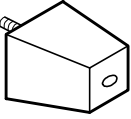
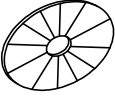
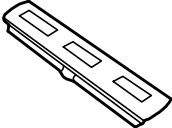
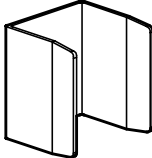
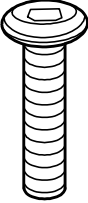


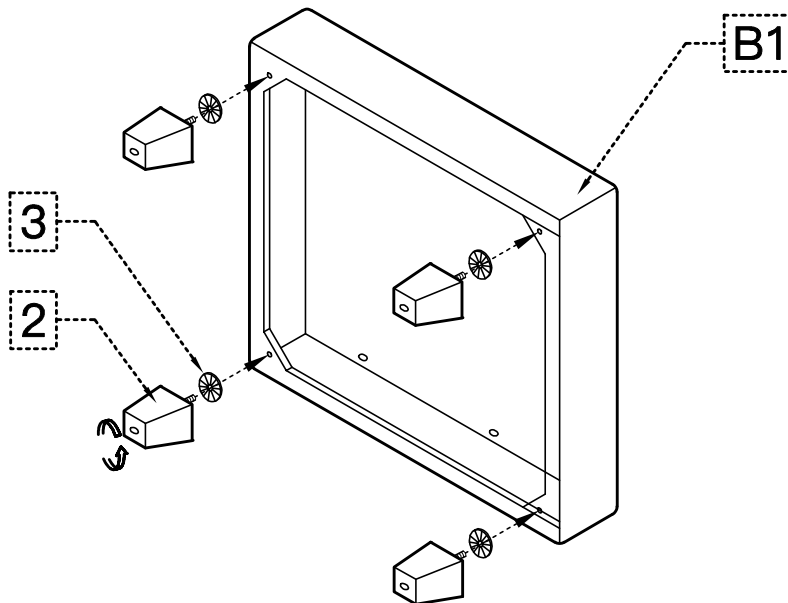





parts list

<p><b>B1</b></p>  <p>1pcs</p>	<p><b>B2</b></p>  <p>1pcs</p>	<p><b>B3</b></p>  <p>1pcs</p>	<p><b>B4</b></p>  <p>1pcs</p>			
<p><b>B5</b></p>  <p>1pcs</p>	<p><b>D</b></p>  <p>1pcs</p>	<p><b>E</b></p>  <p>1pcs</p>	<p><b>F</b></p>  <p>1pcs</p>	<p><b>G</b></p>  <p>1pcs</p>		
<p><b>2</b></p>  <p>4pcs</p>	<p><b>3</b></p>  <p>4pcs</p>	<p><b>4</b></p>  <p>2pcs</p>	<p><b>5</b></p>  <p>1pcs</p>	<p><b>6</b></p>  <p>M8*60 2pcs</p>	<p><b>7</b></p>  <p>M8*19 2pcs</p>	<p><b>8</b></p>  <p>M8 1pcs</p>

Installation method

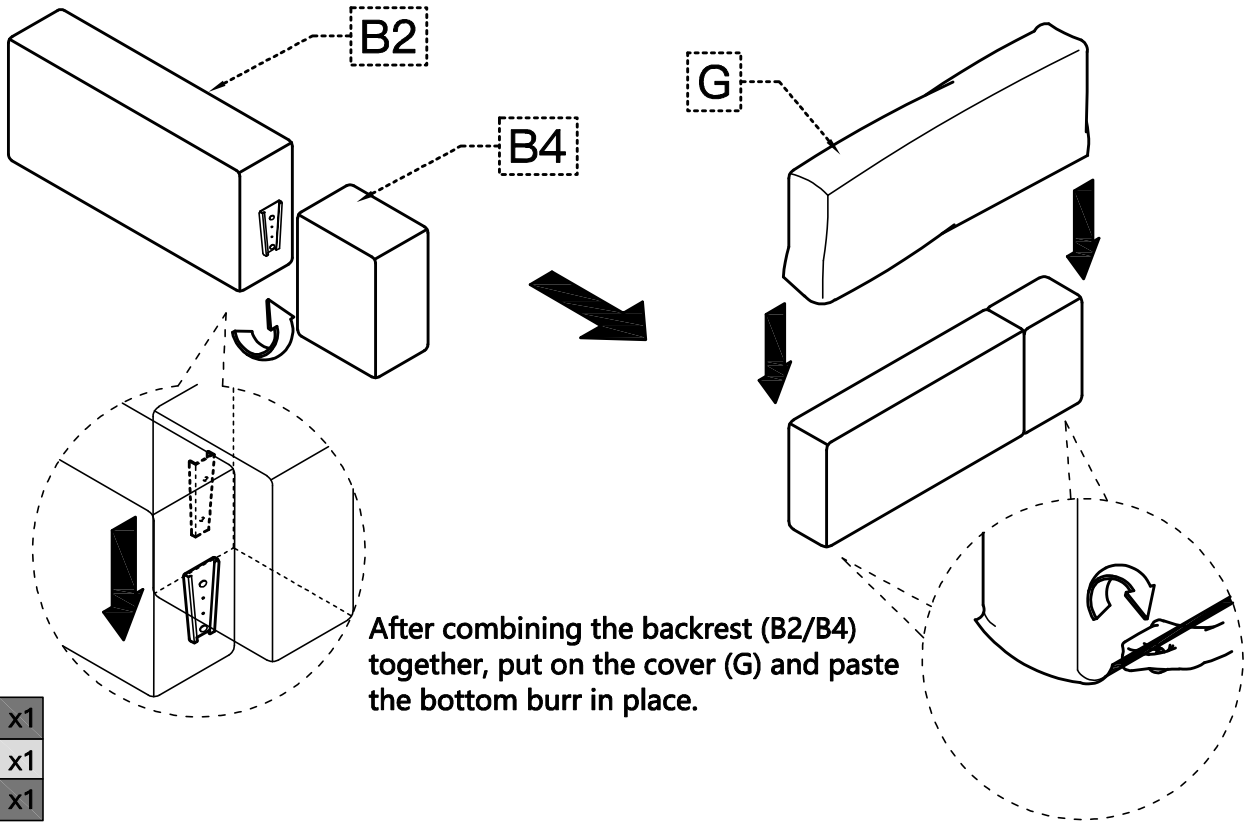
Step 1



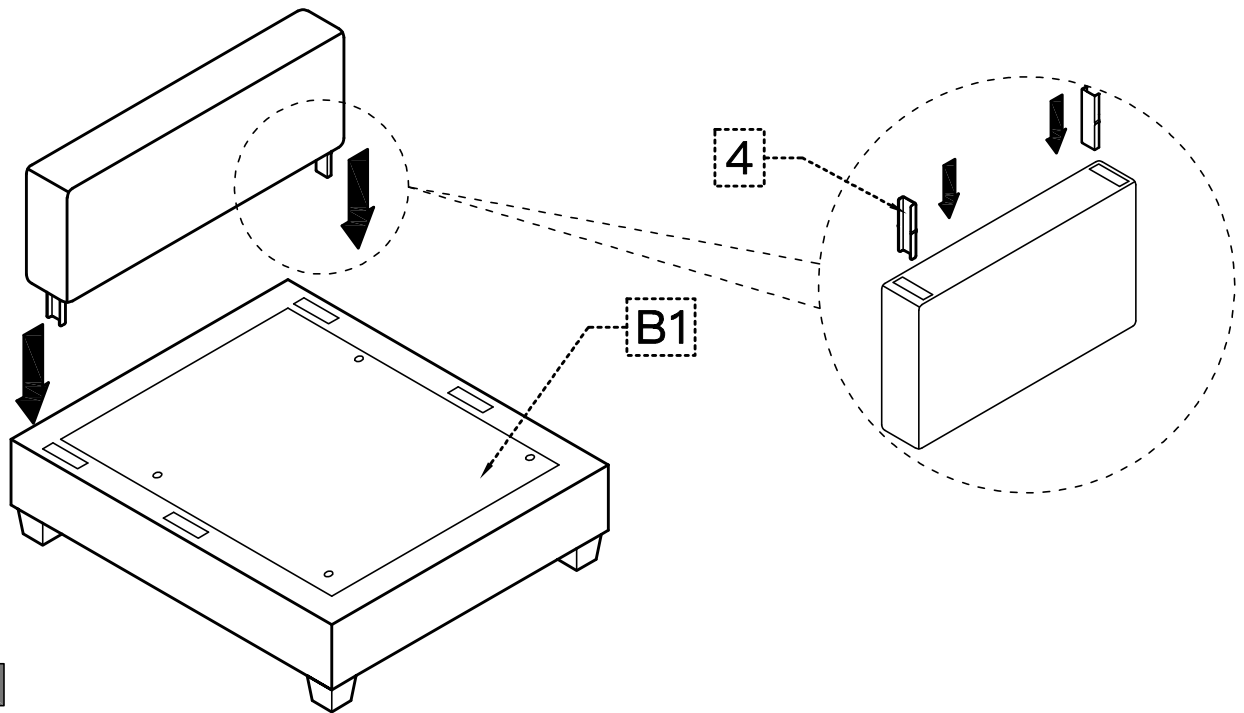
B1		x1
2		x4
3		x4

Installation method

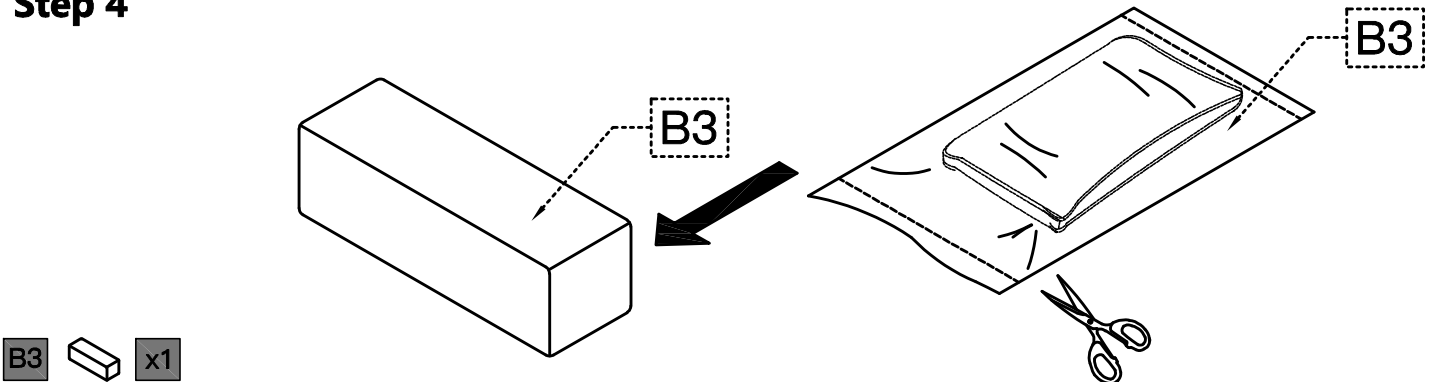
Step 2



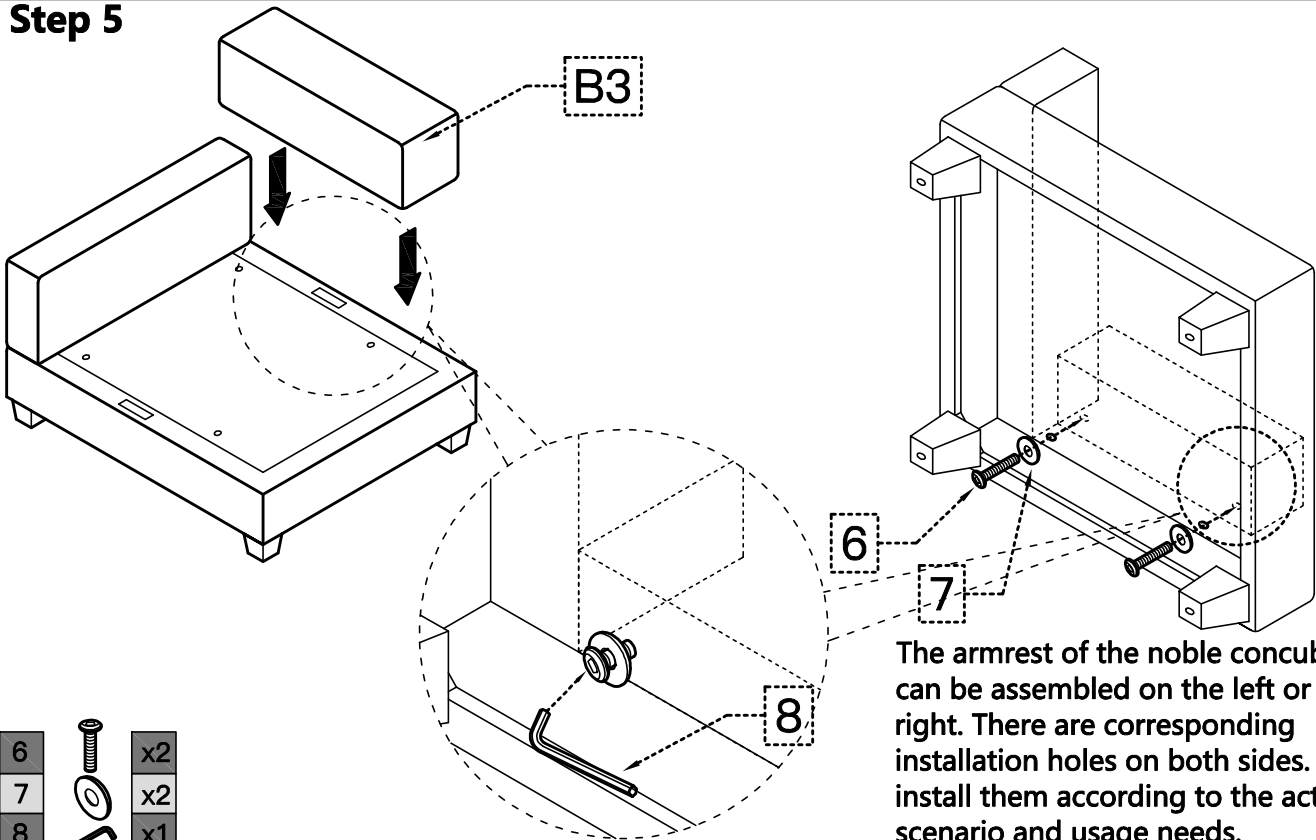
Step 3



Step 4



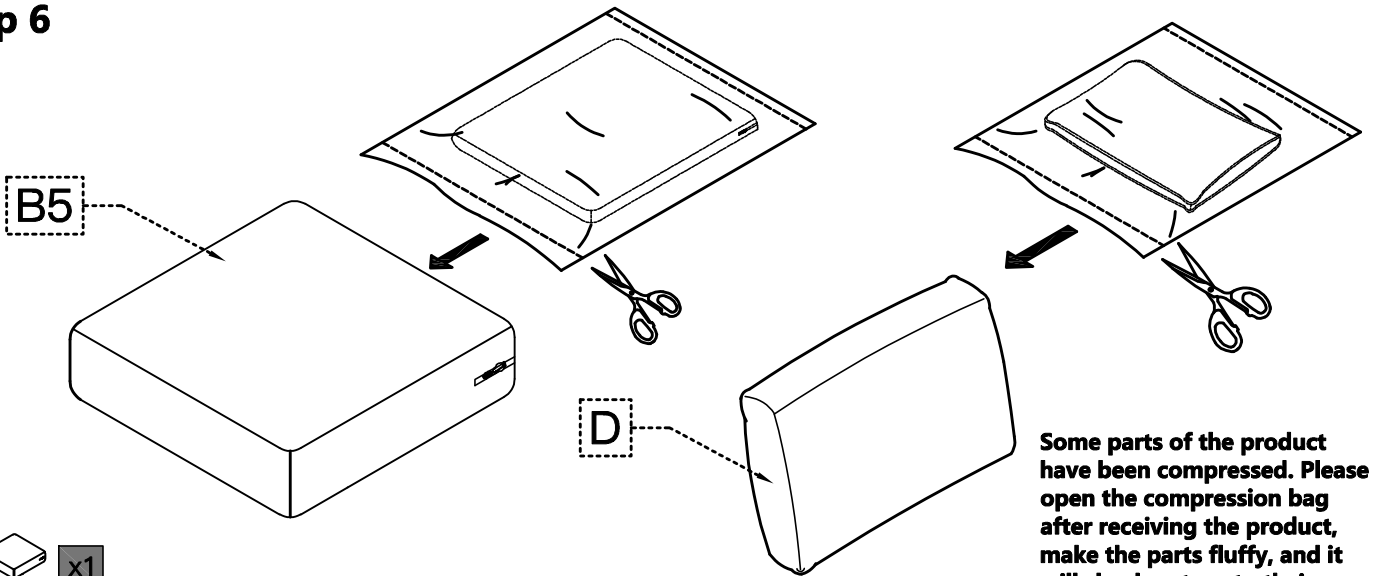
**Step 5**



- |   |  |    |
|---|--|----|
| 6 |  | x2 |
| 7 |  | x2 |
| 8 |  | x1 |

The armrest of the noble concubine chair can be assembled on the left or on the right. There are corresponding installation holes on both sides. Please install them according to the actual use scenario and usage needs.

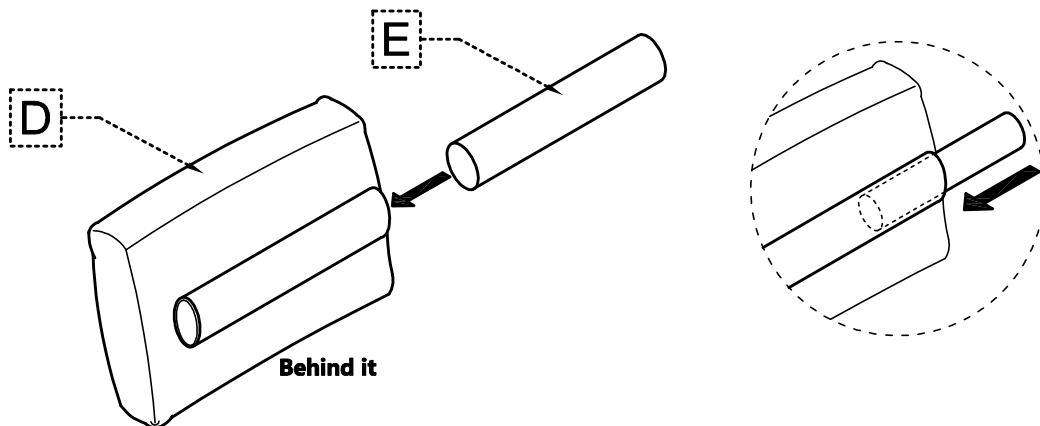
**Step 6**



- |    |  |    |
|----|--|----|
| B5 |  | x1 |
| D  |  | x1 |

Some parts of the product have been compressed. Please open the compression bag after receiving the product, make the parts fluffy, and it will slowly return to their original state within 72 hours.

**Step 7**



- |   |  |    |
|---|--|----|
| E |  | x1 |
|---|--|----|

