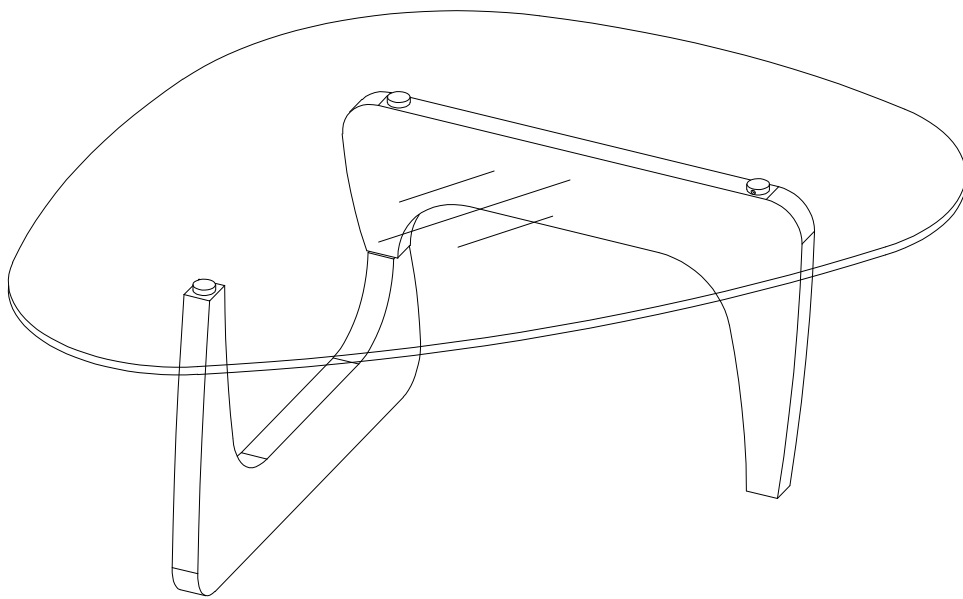


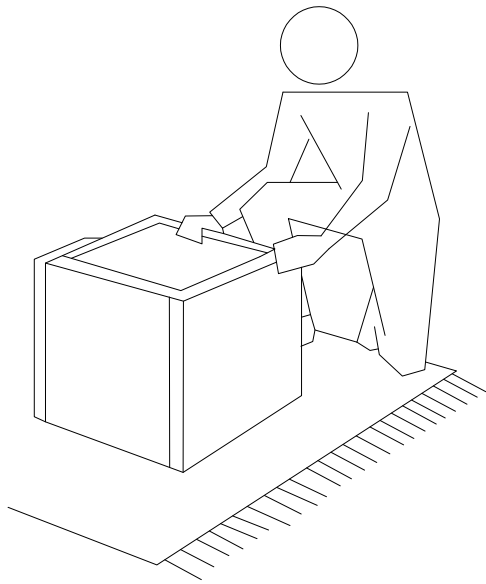
Installation

Product Manual

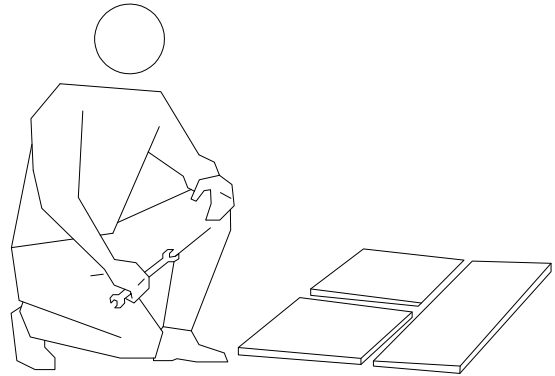


Warm Tips :

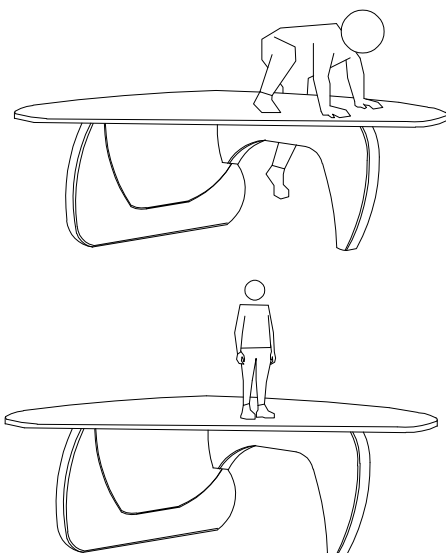
If any parts inside the package are found missing or damaged, please contact us immediately, and we will send you replacement parts free of charge.



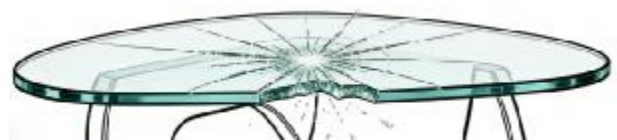
Assemble this furniture on an empty carton, carpet, or rug to avoid scratches and damage.



This piece of furniture requires 1-2 people to assemble. Before assembly, please make sure all parts are complete and undamaged.

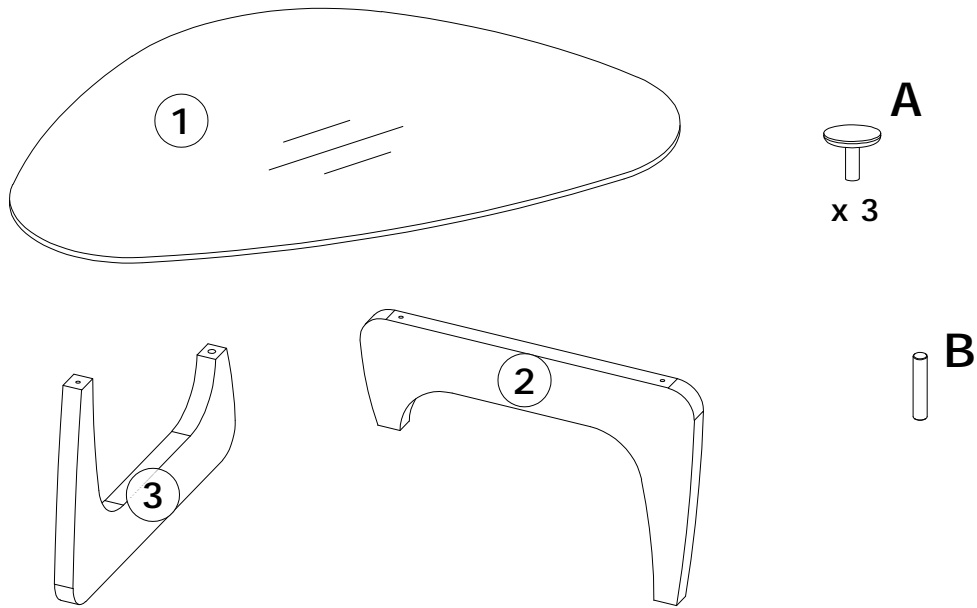



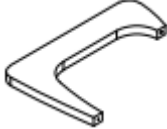



**Place on a flat, stable floor.
Do not allow children to climb or stand on the table, as it may tip over and cause injury.**



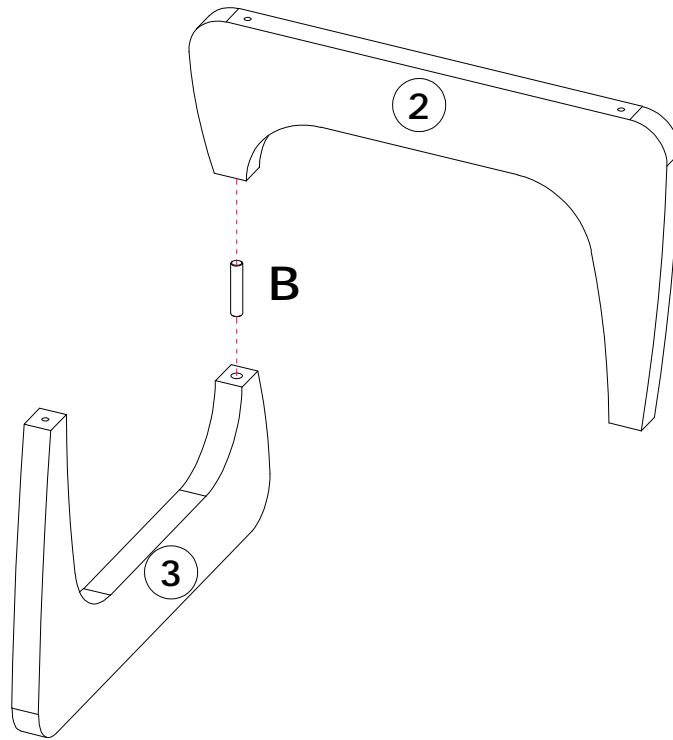
**GLASS HAZARD - This tabletop is made of tempered glass.
Do not slam, drop, or impact the glass edge.
If chipped or cracked, the glass may shatter suddenly, causing serious injury.
Discontinue use immediately if damage is found.**

PACKAGE CONTENT



PART	PRODUCT NAME	DESCRIPTION	QTY
	Panel		1
	Table Leg 1		1
③	Table Leg 2		1
A	Suction Cup		3
B	Iron bolt		1

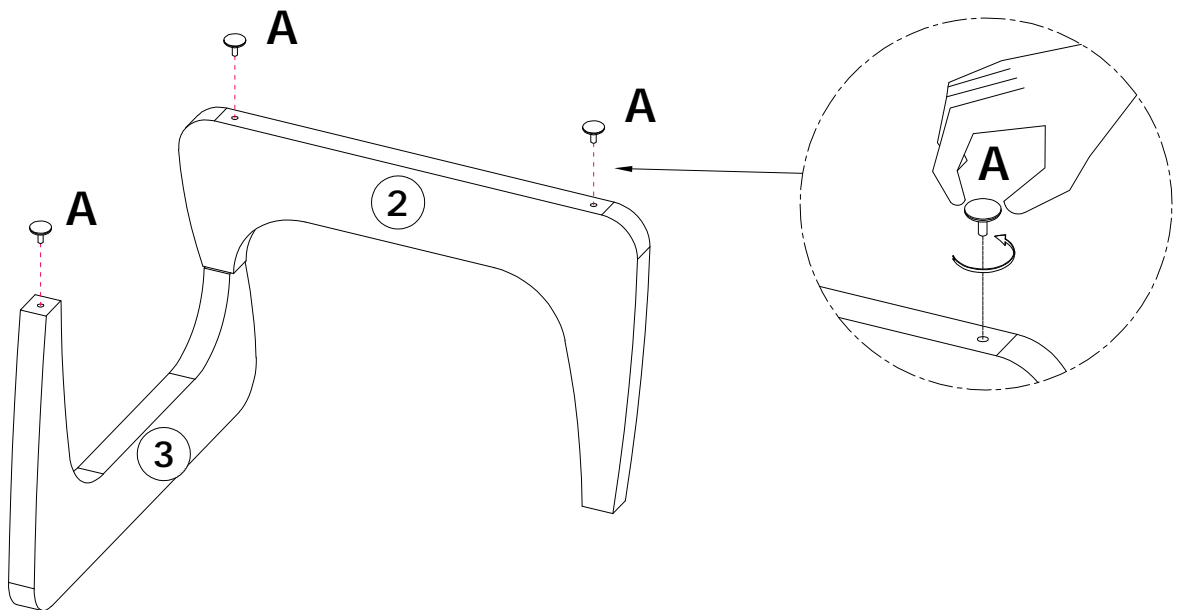
Step 1 Use the Part B to connect Part 2 and Part 3, then press them tightly together.



B x 1



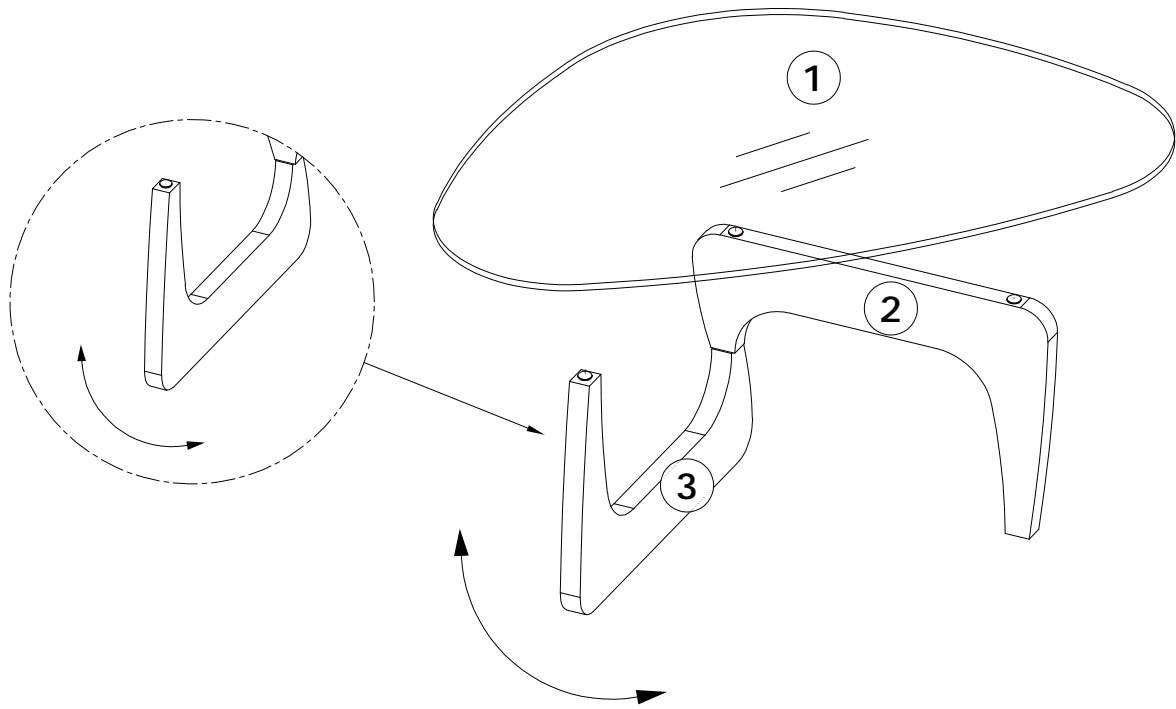
Step 2 Using your hand, twist Part A into the pre-drilled holes of Part 2 and Part 3.



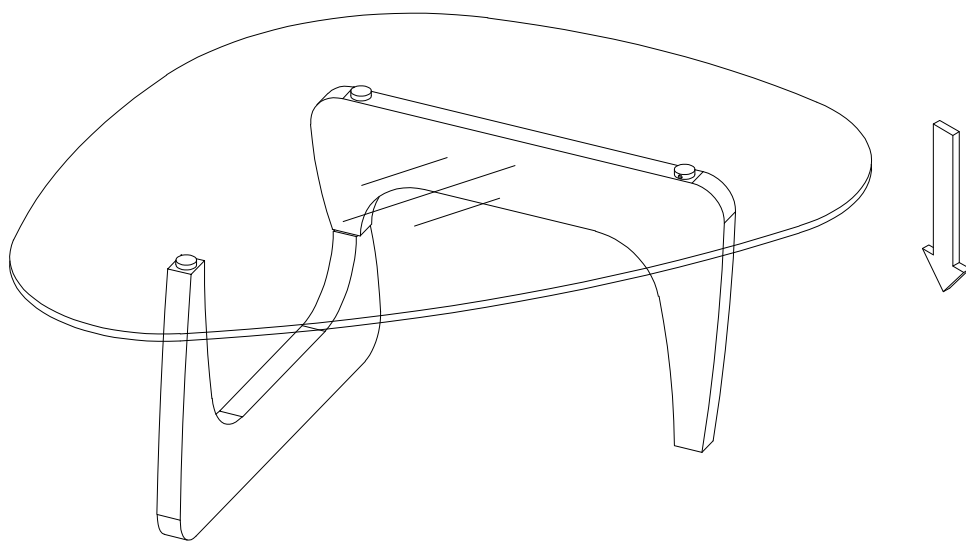
A x 3



Step 3 Adjust the angle of Part to find a stable and suitable position.

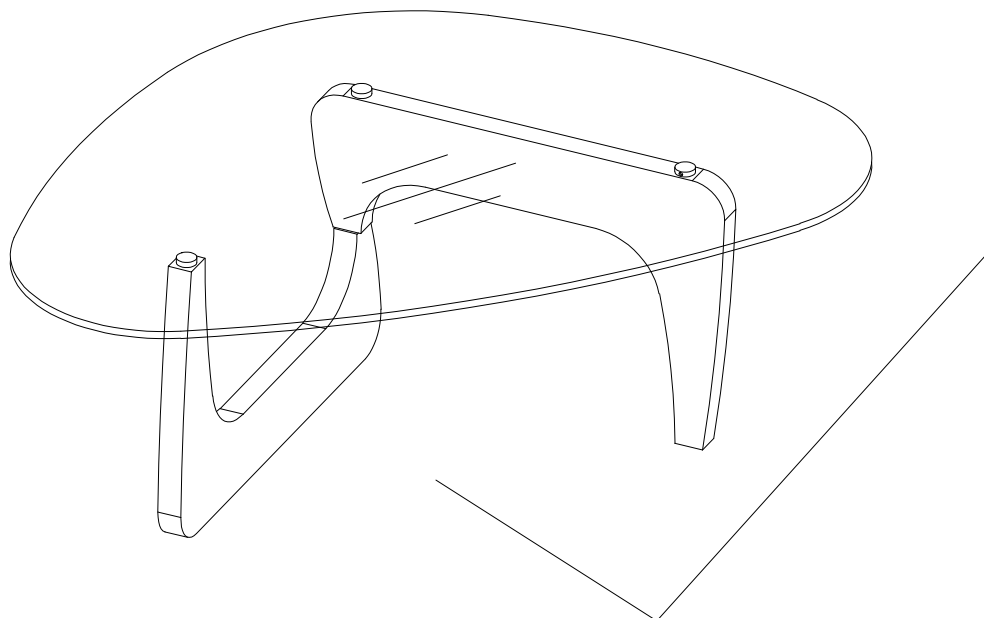


Step 4 Place the tempered glass coffee table top, Part , and press it down firmly.



Tips: Please select the correct way to install the table legs. Improper installation may result in poor stability.
The table legs are removable and can be reinstalled. Thank you.

Correct



Error

