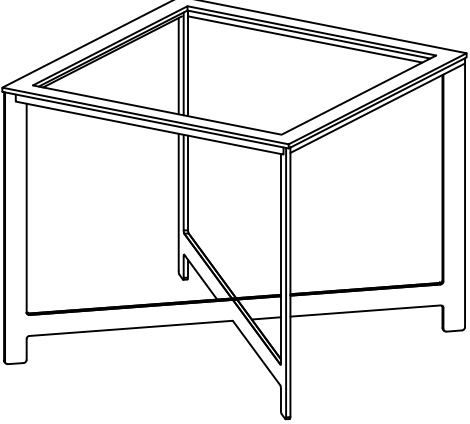
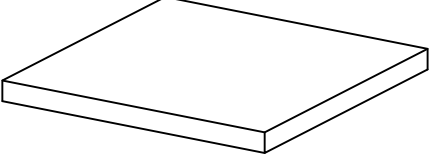
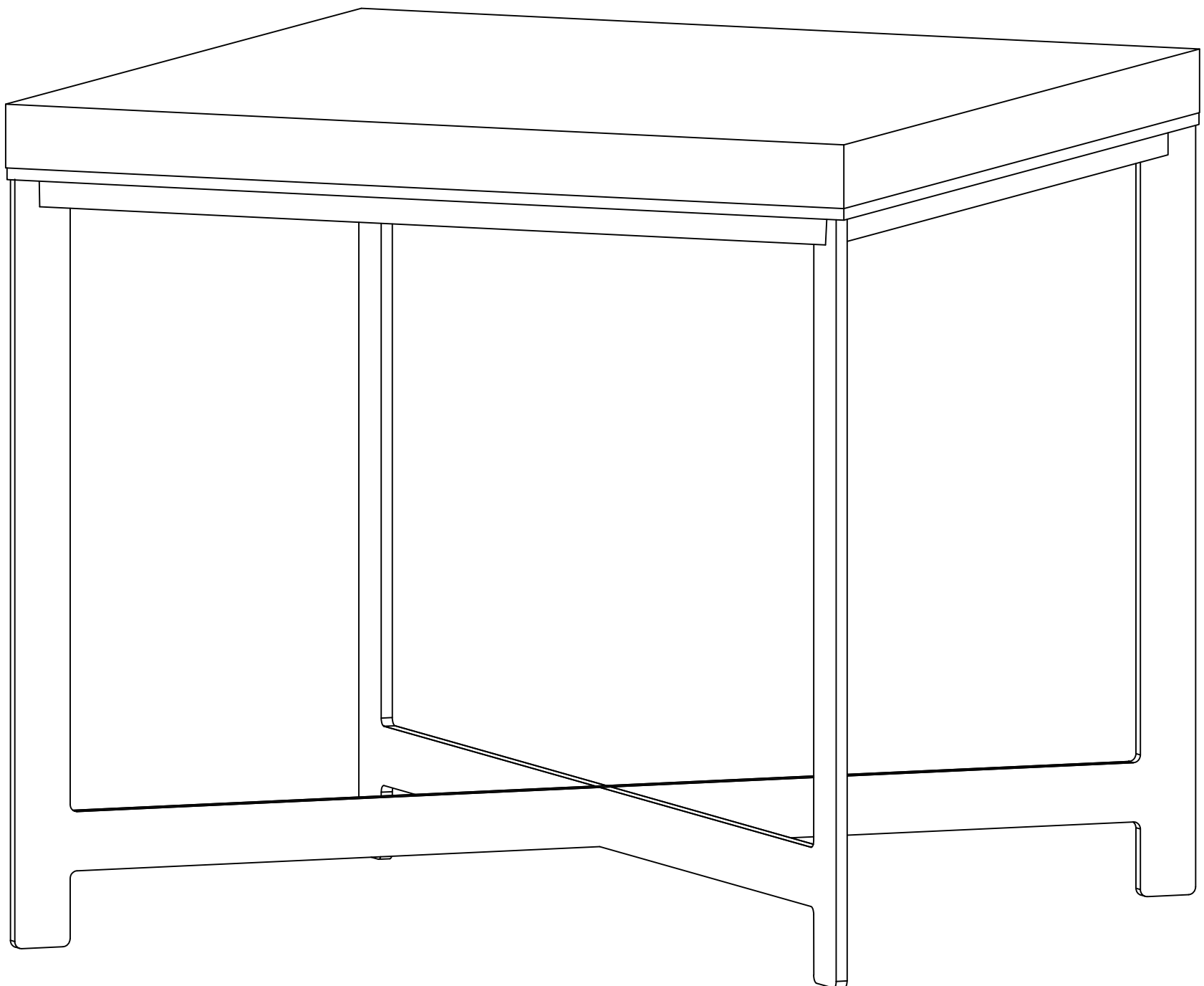


Assembly Instruction

Product Description: Iron Side Table

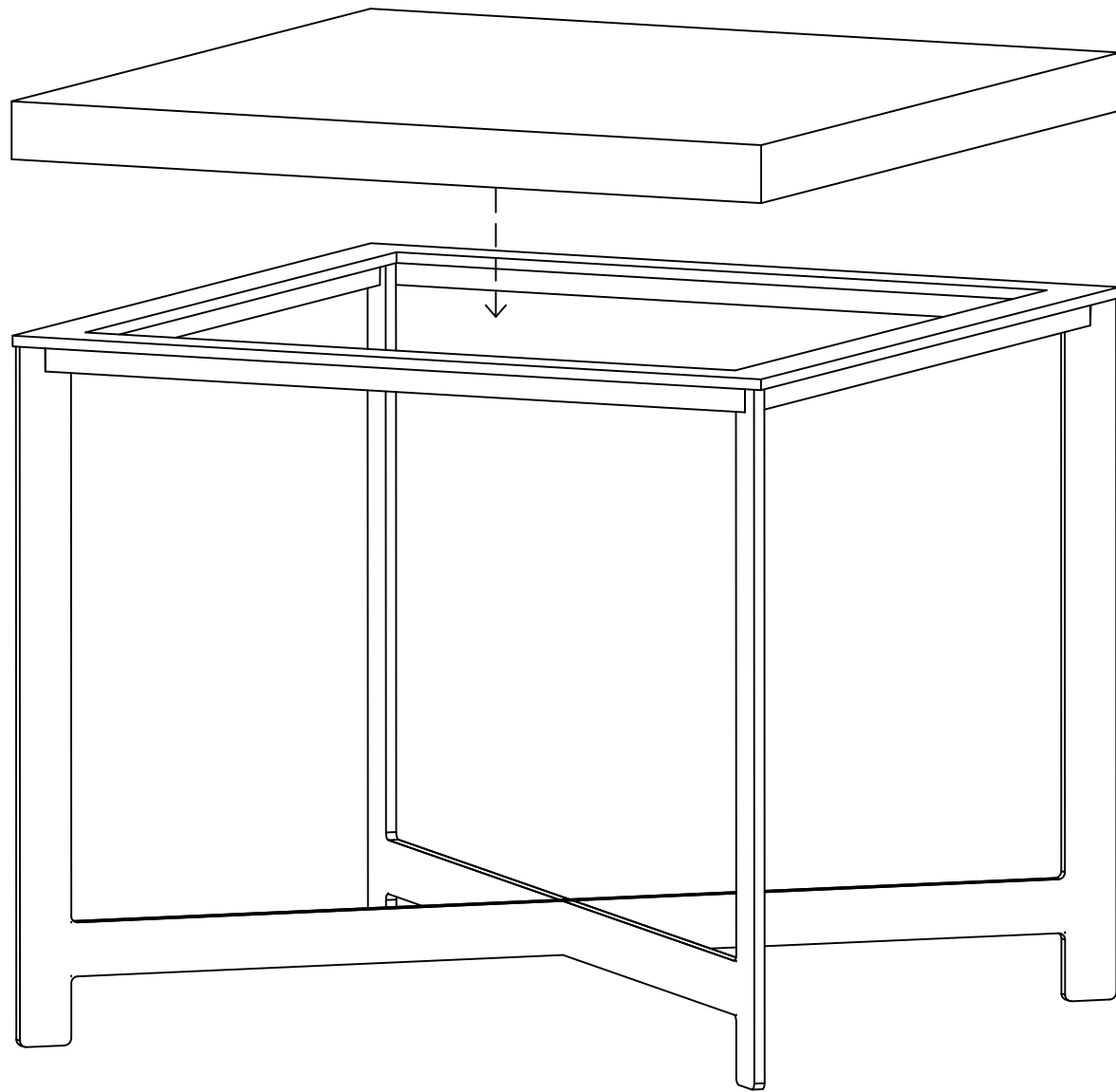
Hardware/Component List :

No.	Hardware/Component List	Quantity.
1	 Iron Base	1
2	 Marble Top	1



Assembly Instruction
Product Description: Hammered Iron Side Table

1



2

