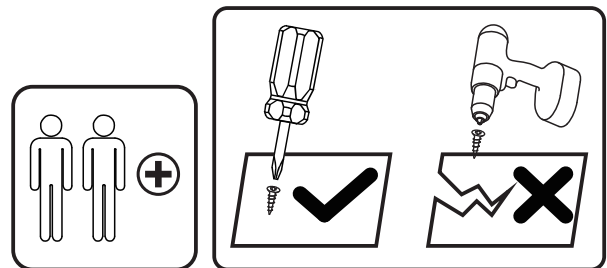
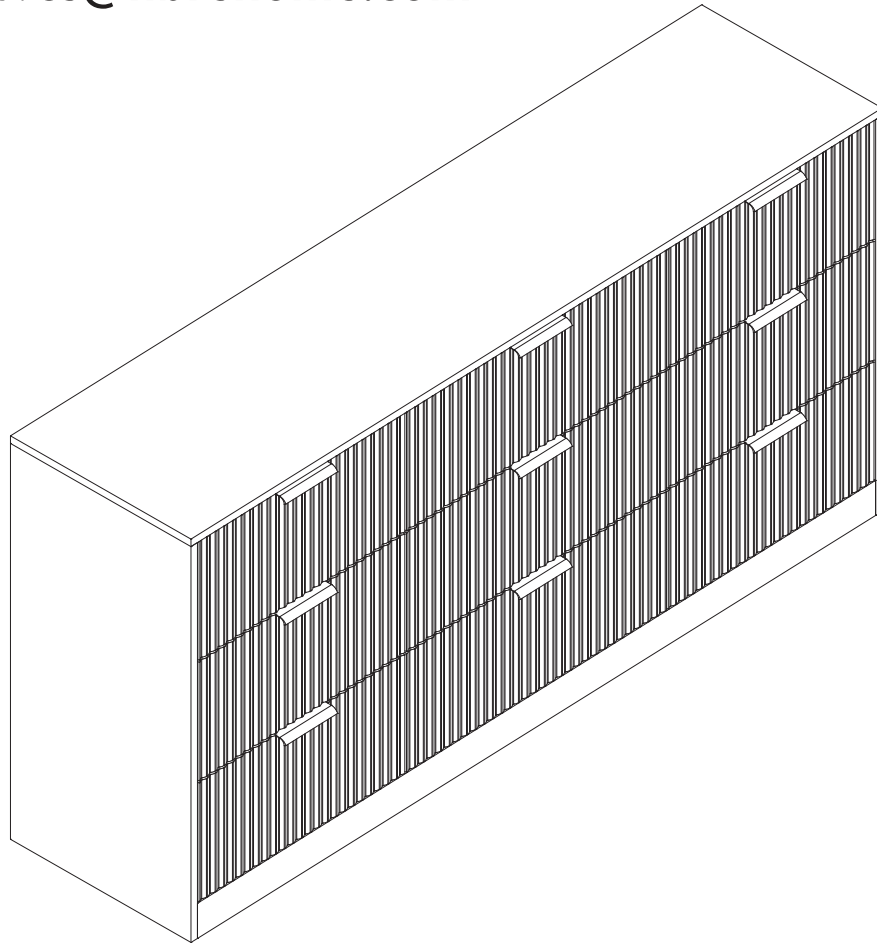


ASSEMBLY INSTRUCTIONS

Customer Service : cs@nbrehome.com



Tools Recommended

THIS INSTRUCTIONS CONTAINS IMPORTANT SAFETY INFORMATION.
PLEASE READ BEFORE ASSEMBLY AND KEEP FOR FUTURE REFERENCE.

Need Parts or Assistance? Email us : cs@nbrehome.com

IMPORTANT NOTICE

-This product contains small components, please ensure that they are kept away from small children.

-THIS INSTRUCTIONS CONTAINS IMPORTANT SAFETY INFORMATION.
PLEASE READ BEFORE ASSEMBLY AND KEEP FOR FUTURE REFERENCE.

-Read each step carefully. It is very important that each step of instruction is performed in the correct order. If these steps are not followed in sequence, assembly difficulties will occur.

-Make sure all parts are included. Most parts are labelled or stamped on the raw edge.

-Work in spacious area, preferably on a carpet, near the place the unit will be used.

-Do not use power tools to assemble your furniture. Power tools may strip or damage the parts.

-Move your new furniture carefully, with two people lift and carry the unit to it's new location.

-Never push, drag or pull your furniture (especially on carpet)



PLEASE DO NOT RETURN PRODUCT TO US IMMEDIATELY

If a part is missing or damaged, email our customer service.
We will gladly ship your replacement parts FREE of charge.

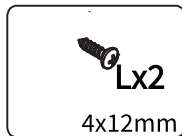
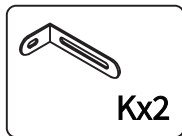
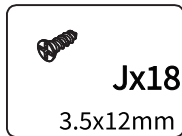
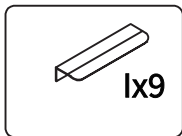
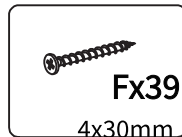
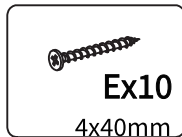
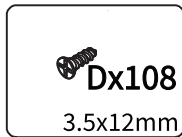
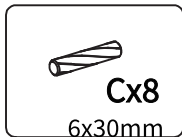
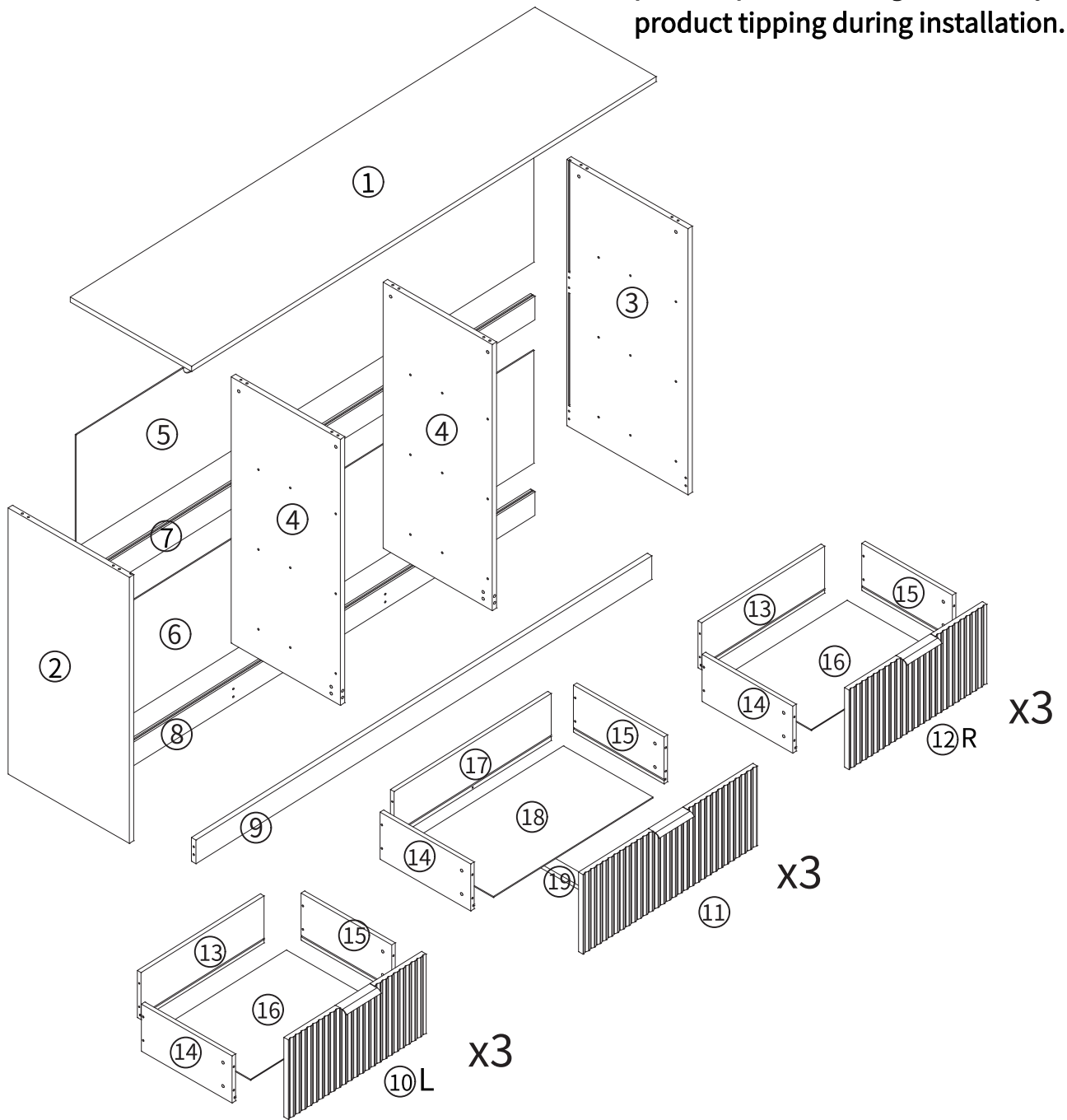
Need Parts or Assistance? Email us : cs@nbrehome.com

For Prompt, reliable service, please have your assemble instruction ready

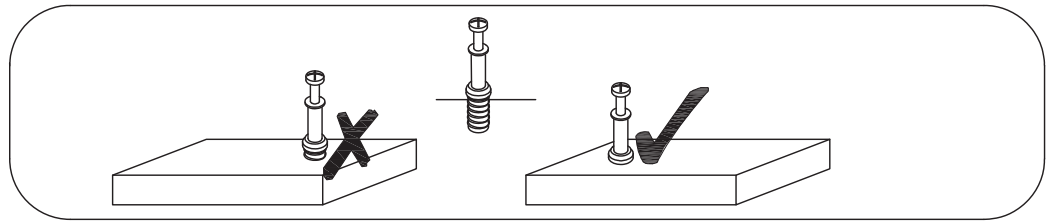
WARNING

	<p>Children have died from furniture tipover. To reduce the risk of furniture tipover:</p> <ul style="list-style-type: none">• ALWAYS install anti-tip device provided.• NEVER put a TV on this product.• NEVER allow children to stand, climb or hang on any drawers, doors, or shelves.• NEVER open more than one drawer at a time.• Place heaviest items in the lowest drawers.
	<p><i>This is a permanent label. Do not remove!</i></p>

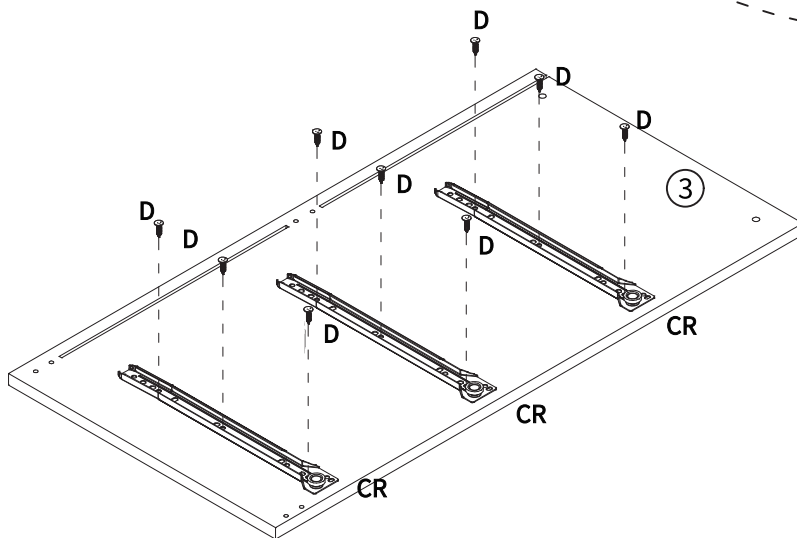
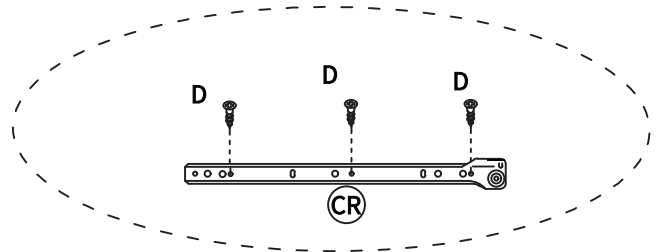
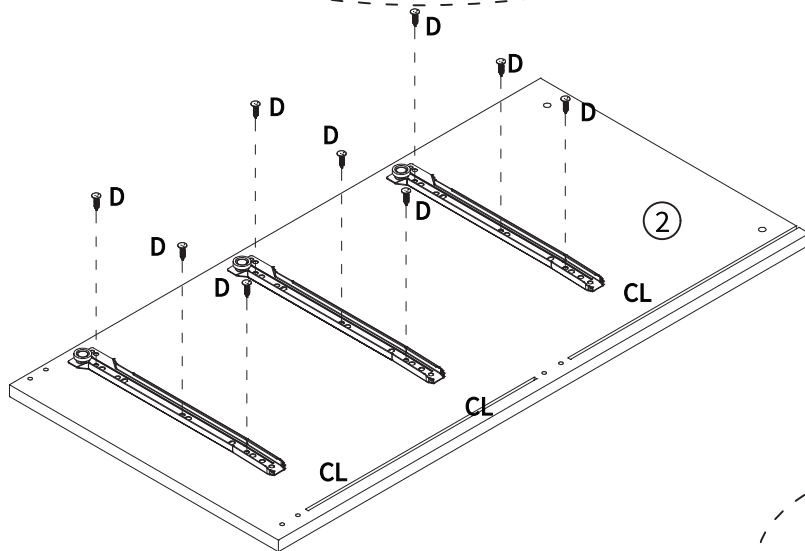
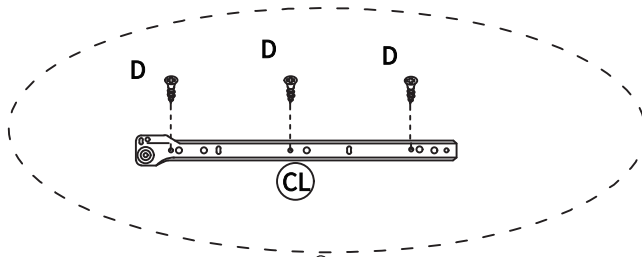
The installation direction should be aligned with the instructions to prevent plate breakage caused by product tipping during installation.



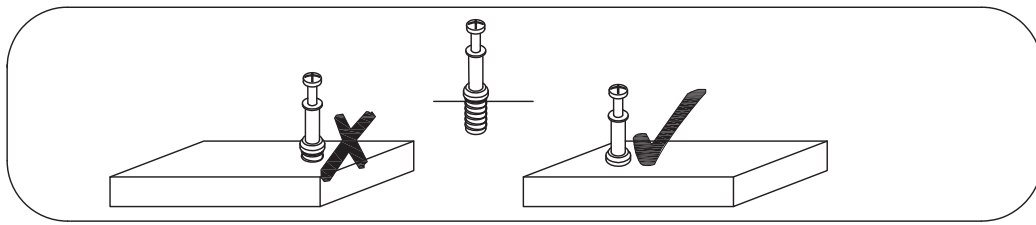
Step 1



Use screws (D) to install guide rail (CL) on the part ②, and install guide rail (CR) on part ③. The installation position is as shown in the figure below.

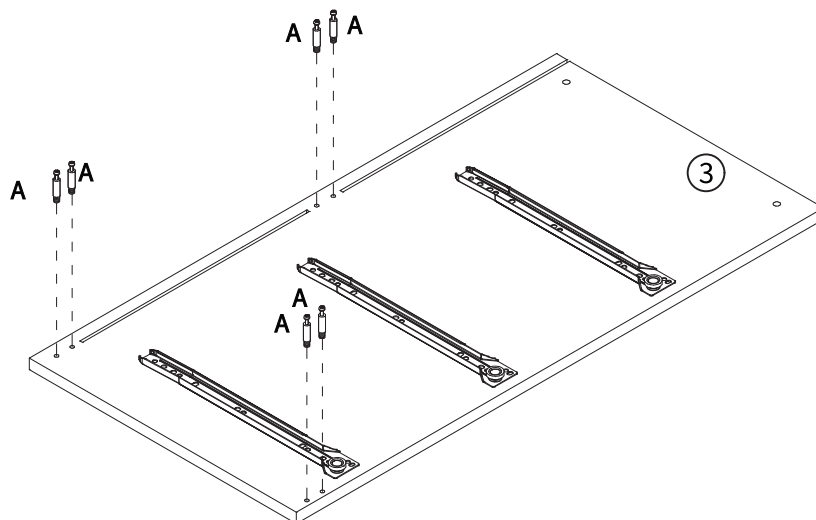
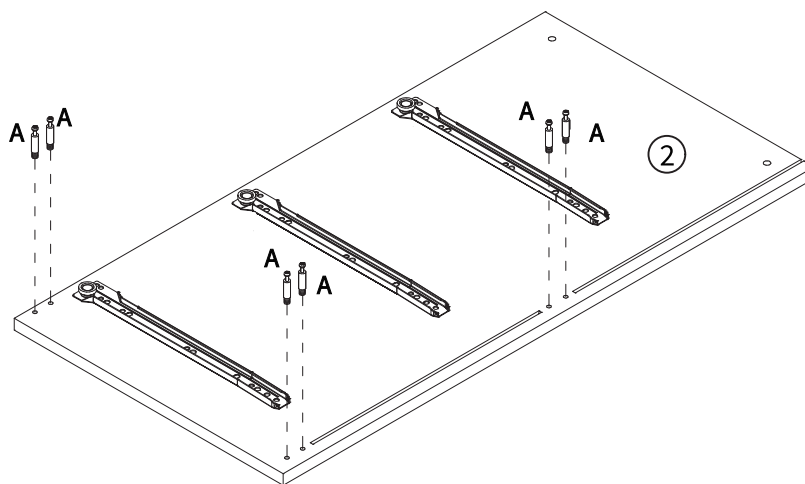


Step 2



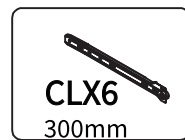
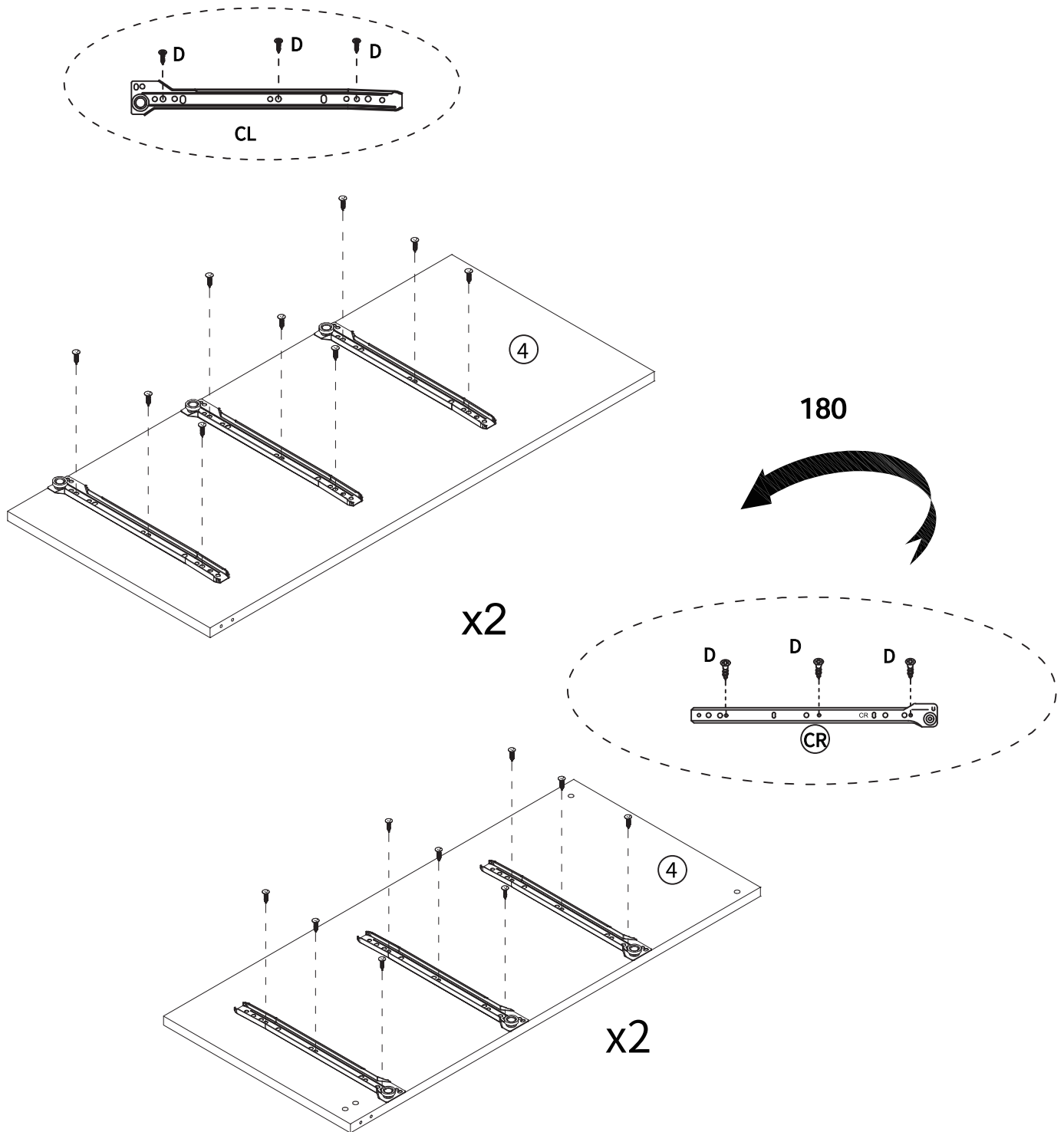
Lock the screw (A) to part ②&③.

The installation position is as shown in the figure below.

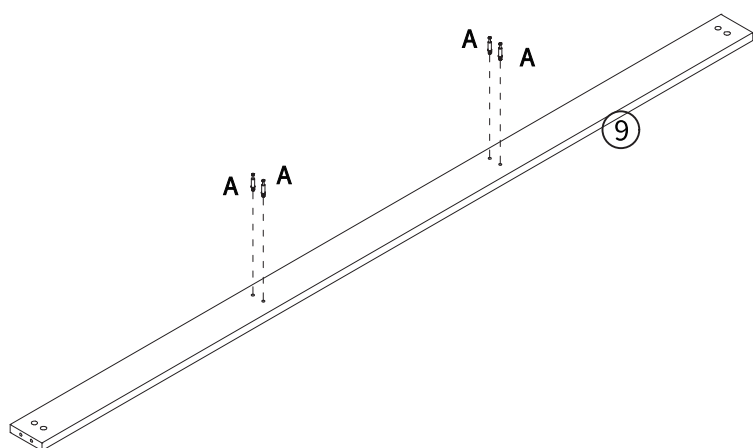
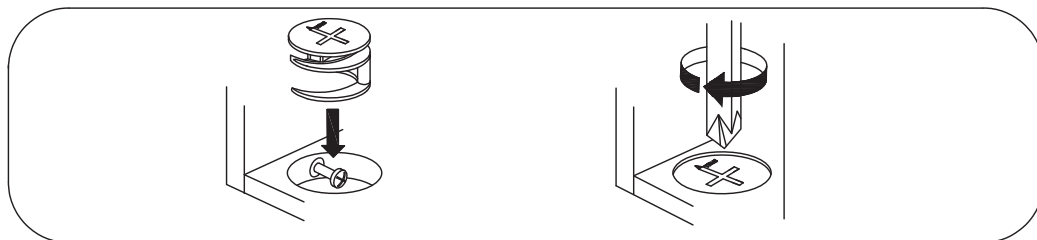
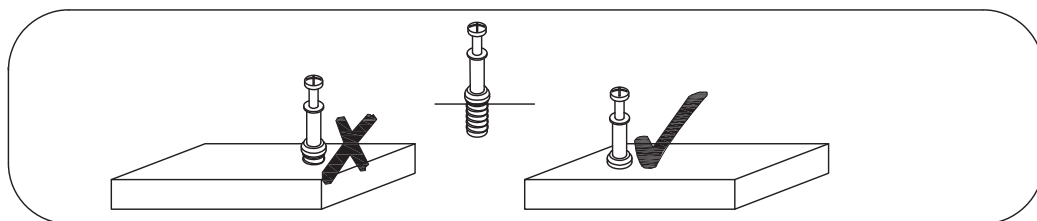


Step 3

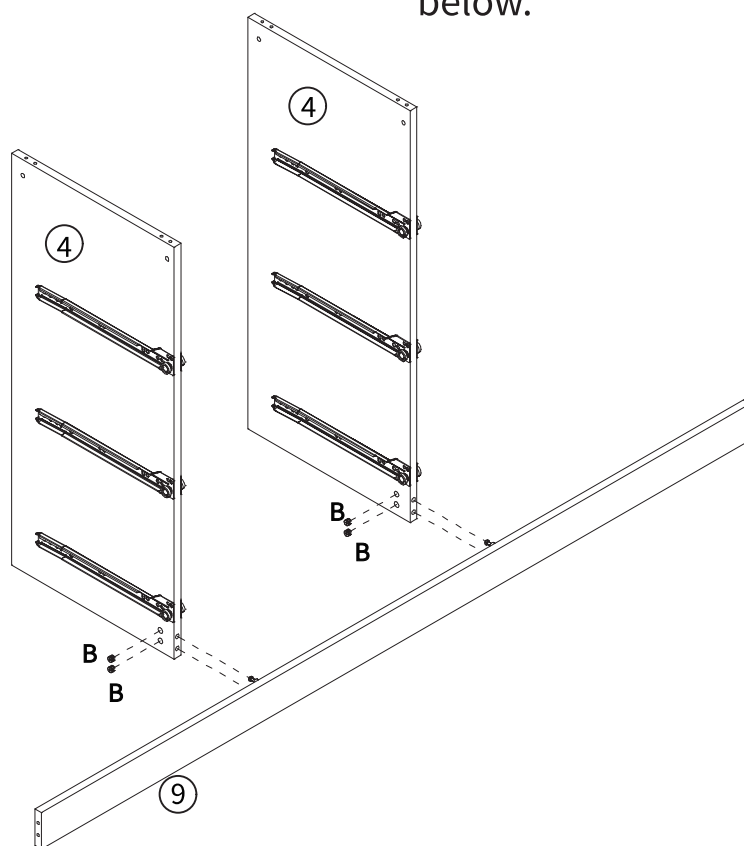
Use screws (D) to install guide rail (CL) on the one side of part ④, after that flip the part ④ 180 degrees, then install guide rail (CR) on the other side of part ④. There are 2 pieces parts ④. The installation position is as shown in the figure below.



Step 4

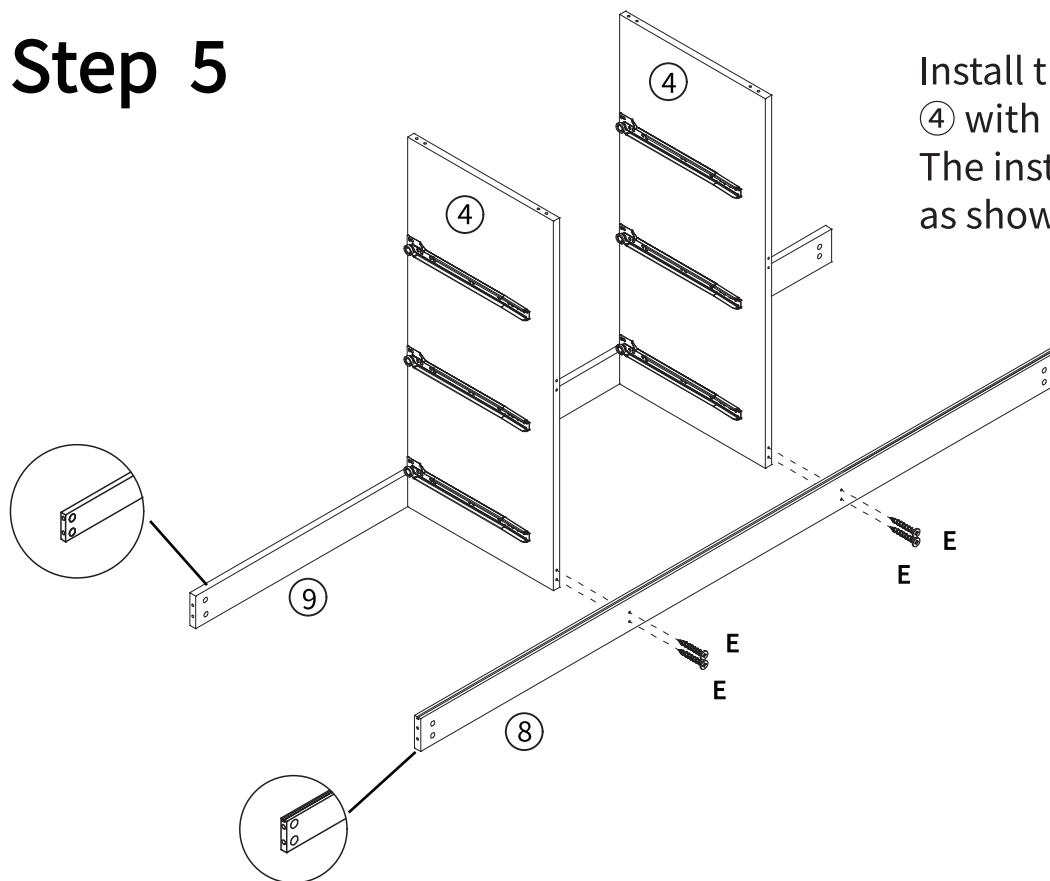


First lock the screw (A) to the part ⑨. Standing the part ④&⑨ upright, attach part ④ and part ⑨, then put the eccentric (B) into the corresponding hole and use a screwdriver to turn it clockwise to tighten. The installation position is as shown below.



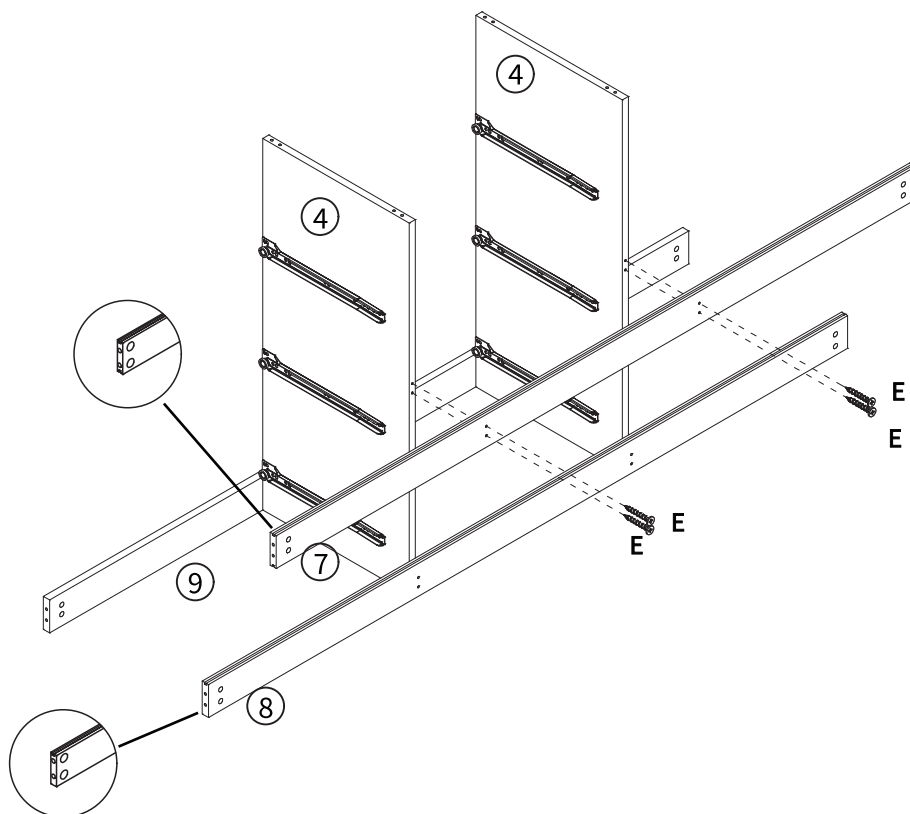
Step 5

Install the part ⑧ and part ④ with the screws (E).
The installation position is as shown below.

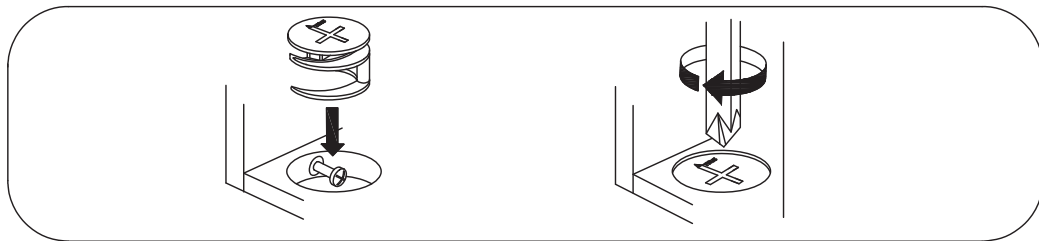


Step 6

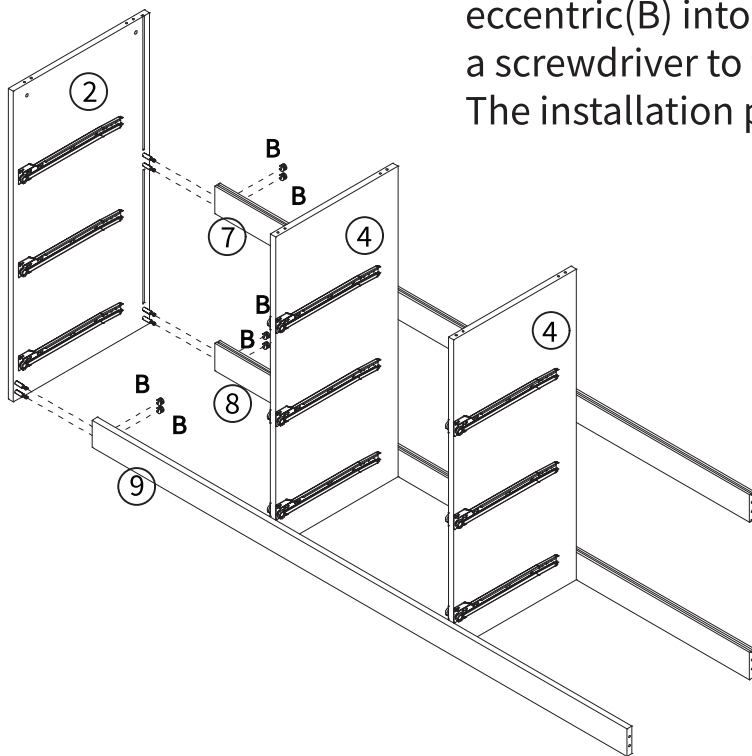
Install the part ⑦ and part ④ with the screws (E).
The installation position is as shown below.



Step 7

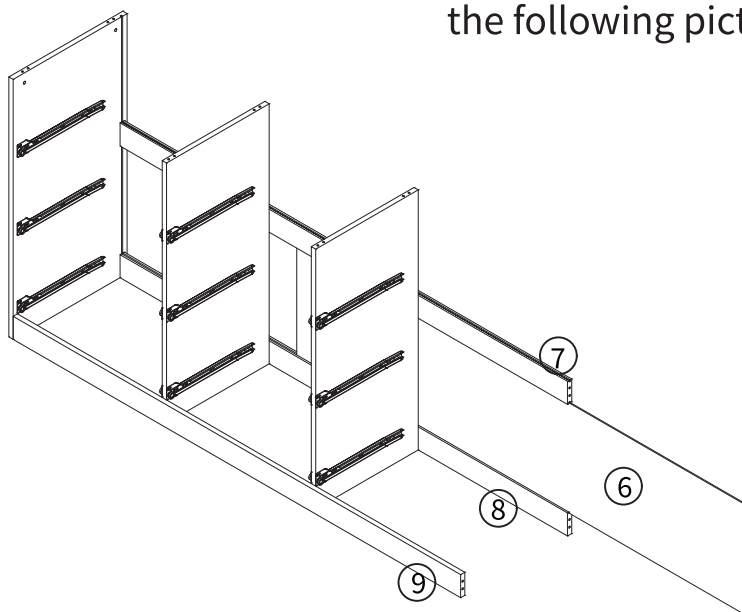


Attach the part ② and part ⑦ ⑧ ⑨, then put the eccentric(B) into the corresponding holes and use a screwdriver to turn them clockwise to tighten. The installation position is as shown below.

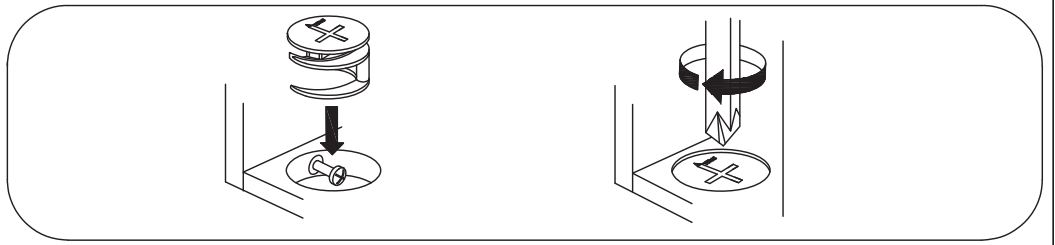


Step 8

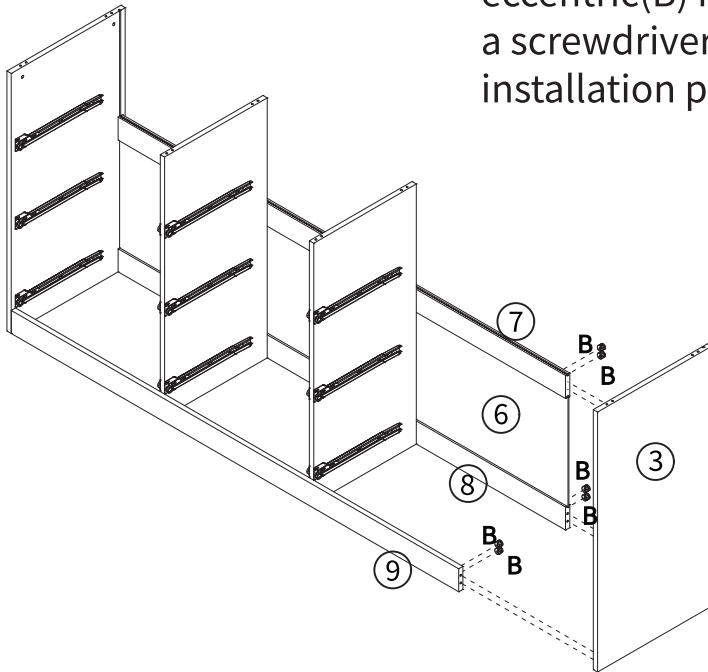
Insert part ⑥ along the slot, as shown in the following picture.



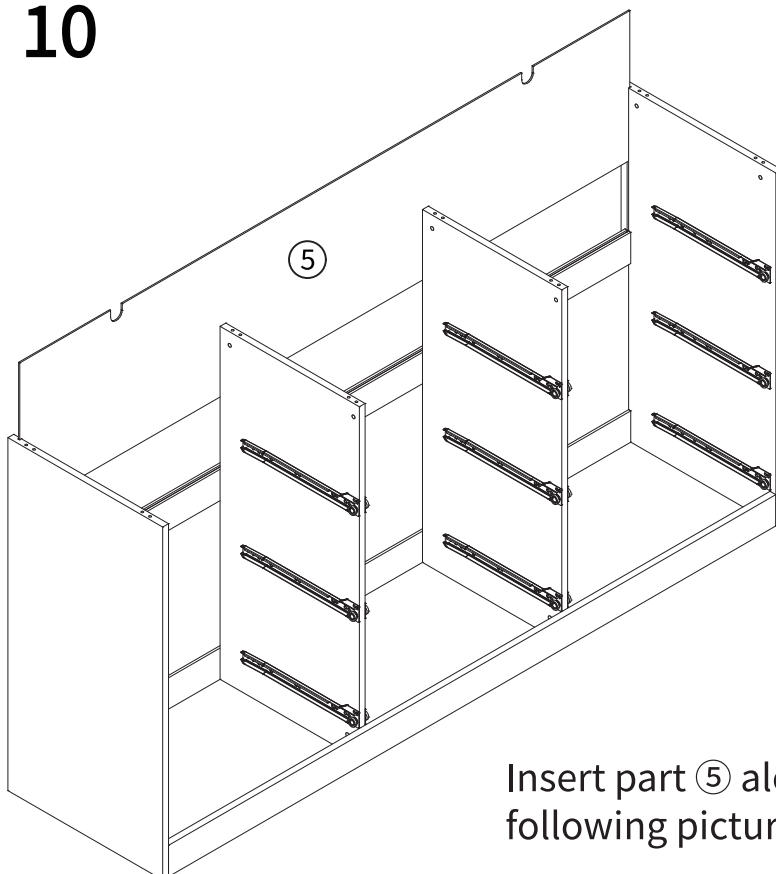
Step 9



Attach part ③ with assembled unit ,then put the eccentric(B) into the corresponding holes and use a screwdriver to turn it clockwise to tighten.The installation position is as shown below.

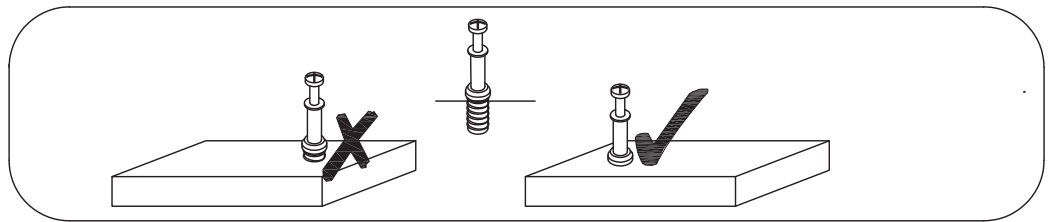


Step 10

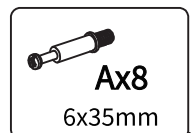
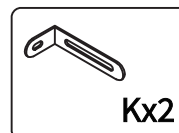
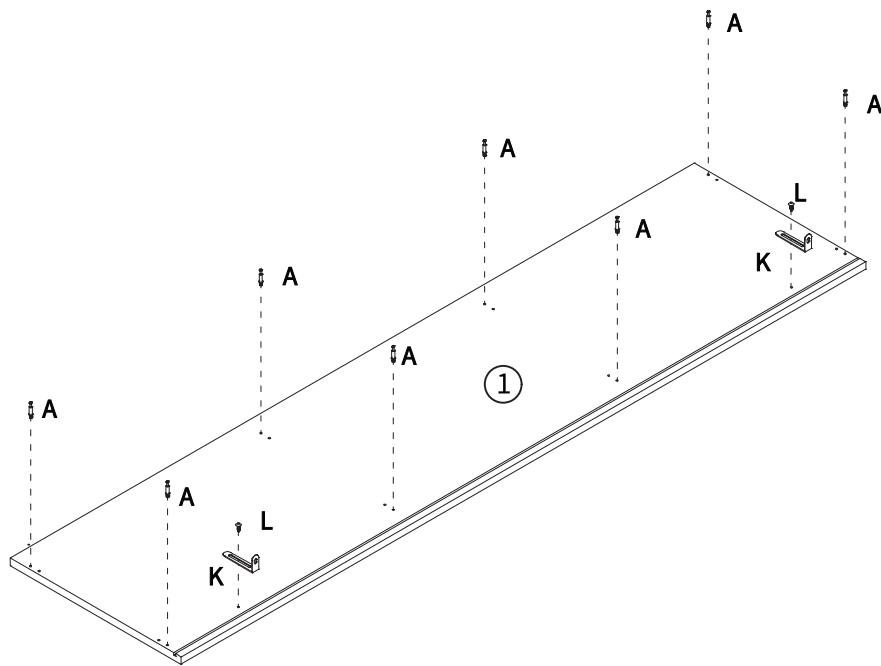


Insert part ⑤ along the slot, as shown in the following picture.

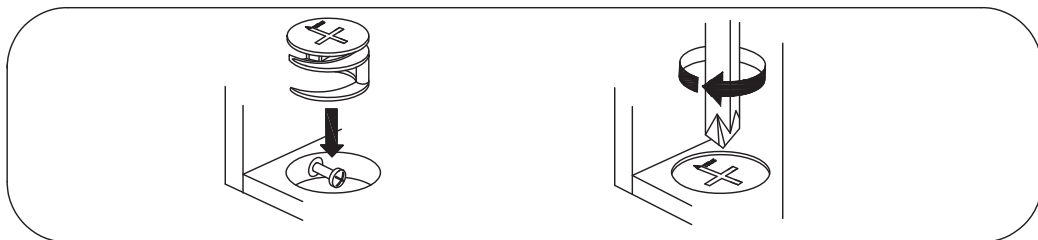
Step 11



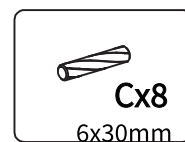
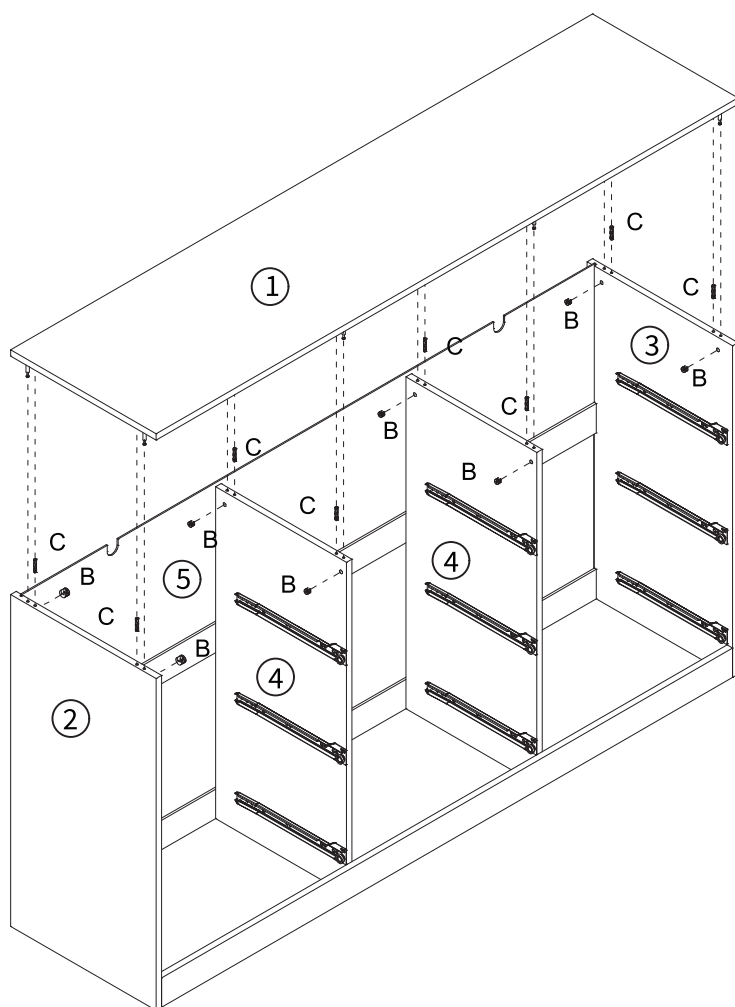
Lock the screw (A) to part ① first, then install the anti-tipping devices (K) to the part ① with screw (L). The installation position is as shown below.



Step 12

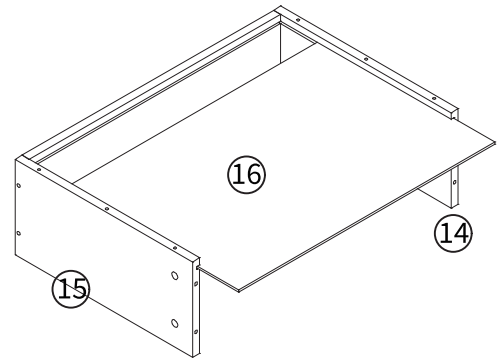
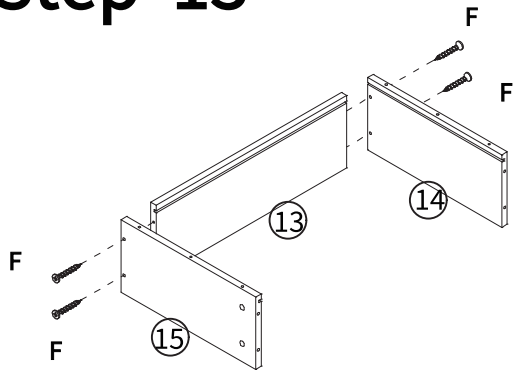


Insert the dowel (C) into parts ②③④, install part ① to assembled unit with eccentric (B), turn it clockwise to tighten.
The installation position is as shown below.



Step 13

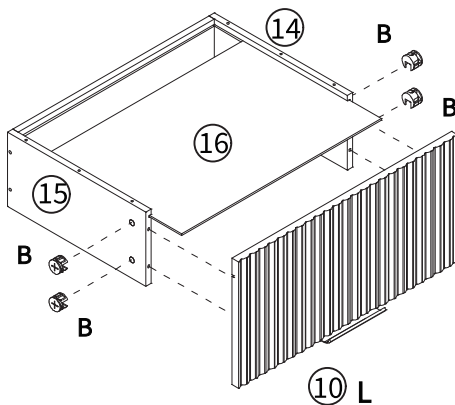
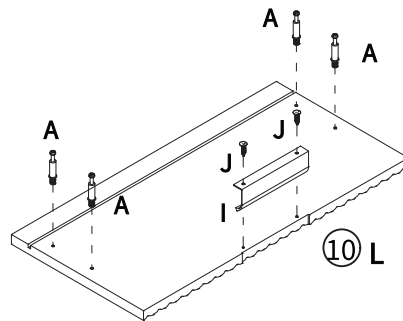
X3



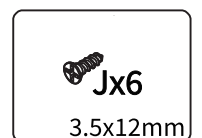
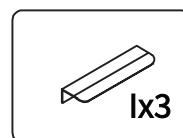
Install the part ⑬⑭⑮ with screws (F)

Insert part ⑯ along the slot, as shown in the following picture.

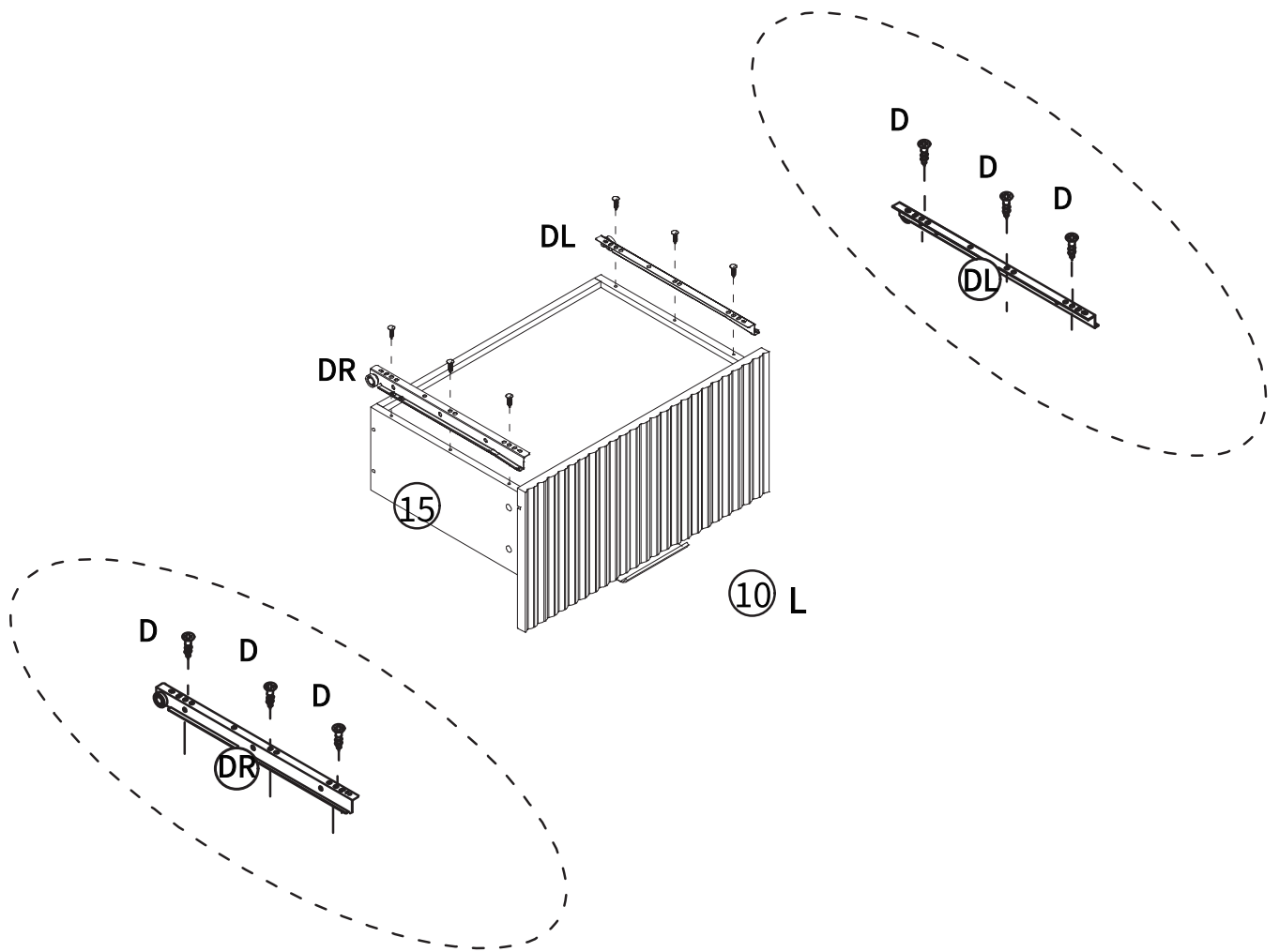
Screw (A) to part ⑩ first. Then use the screw (J) to assemble handle (I) and part ⑩ together.



Then attach part ⑩ to assembled unit with eccentric (B). Turn it clockwise to tighten. As shown in following picture.



Step 14

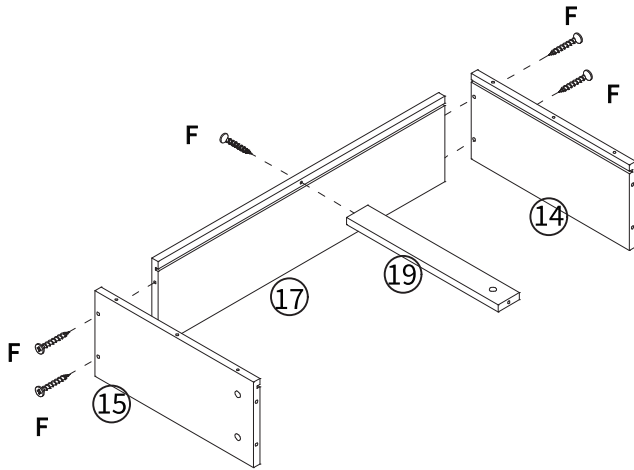


Use screws (D) to install guide rail (DR) on the part ⑮, and install guide rail (DL) on part ⑩. The installation position is as shown above.

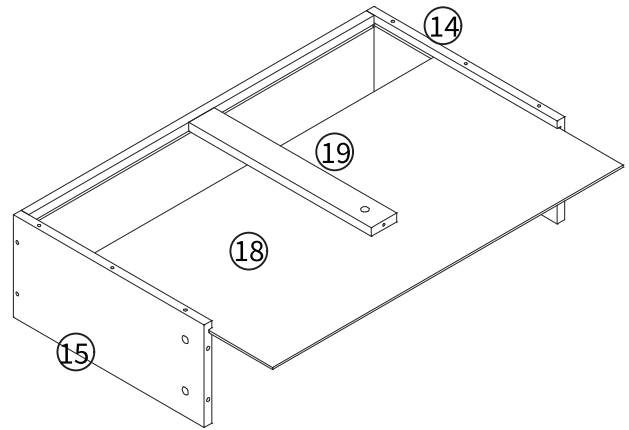


Step 15

X3

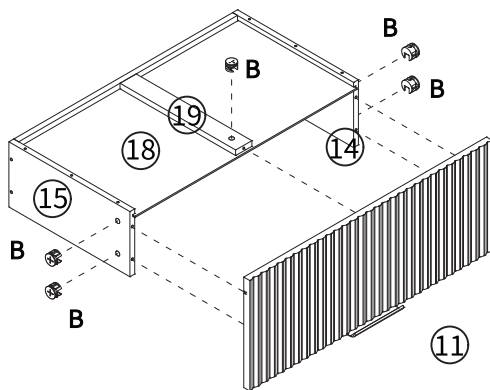
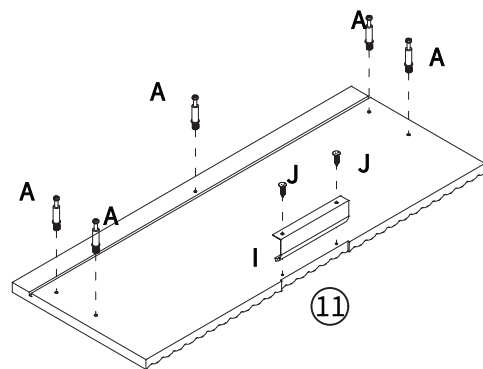


Install the part ⑭⑮⑰⑱ with screws(F), the installation position is as shown above.

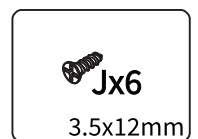
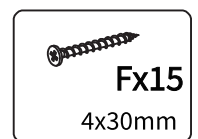
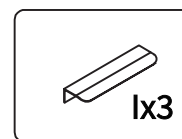


Insert part ⑱ along the slots of ⑭⑮, as shown .

Screw (A) to part ⑪ first. Then use the screw (J) to assemble handle (I) and part ⑪ together .

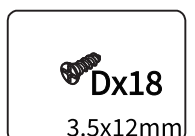
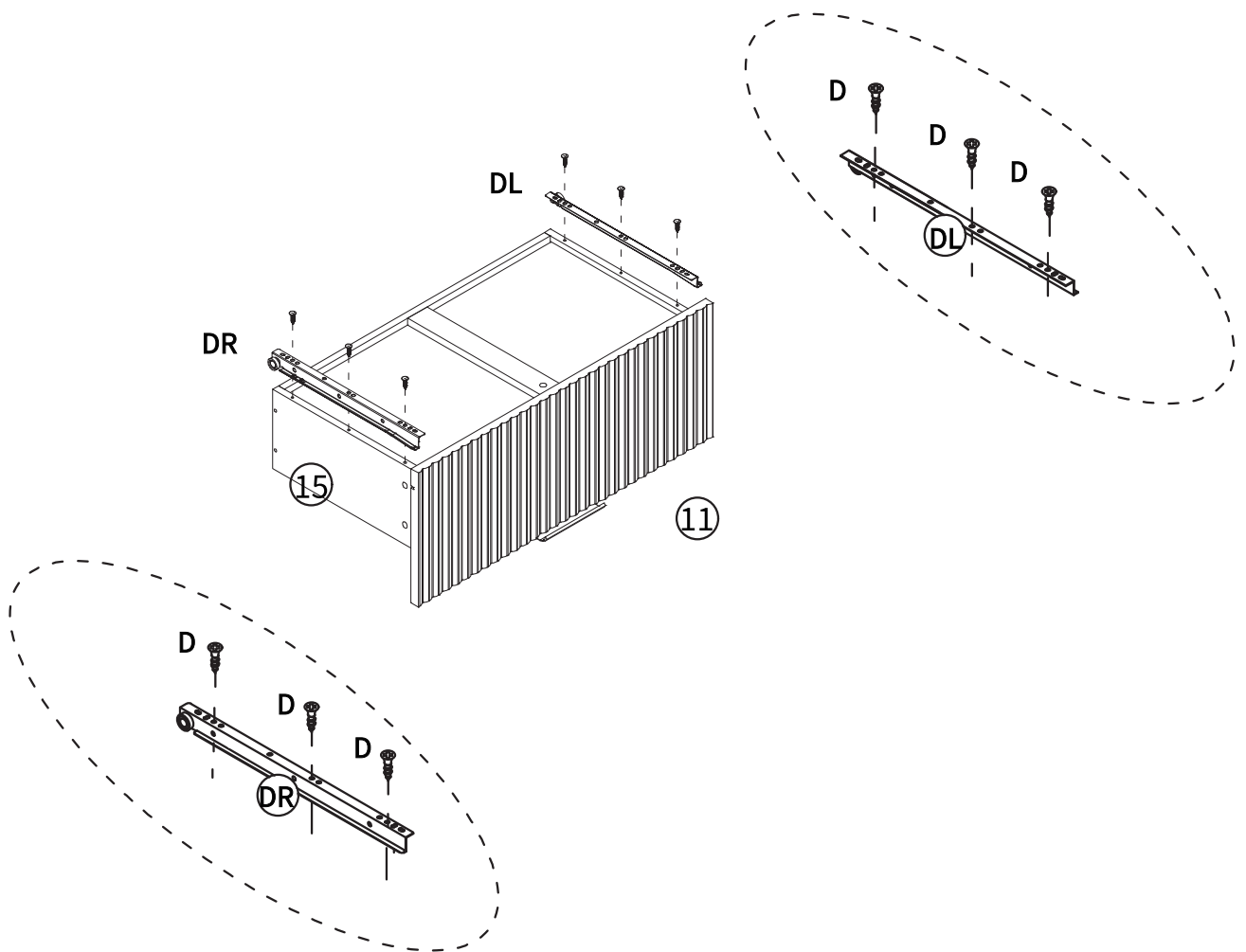


Then attach part ⑪ to assembled unit with eccentric(B).Turn it clockwise to tighten. As shown in following picture.



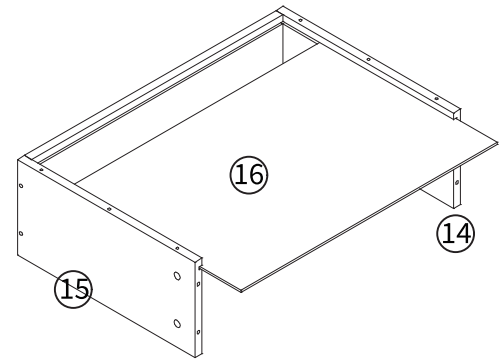
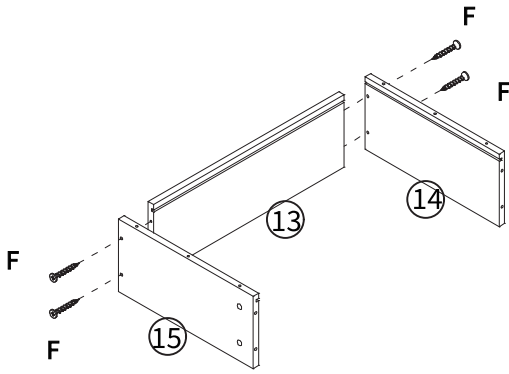
Step 16

Use screws (D) to install guide rail (DR) on the part ⑮, and install guide rail (DL) on part ⑪.
The installation position is as shown above.



Step 17

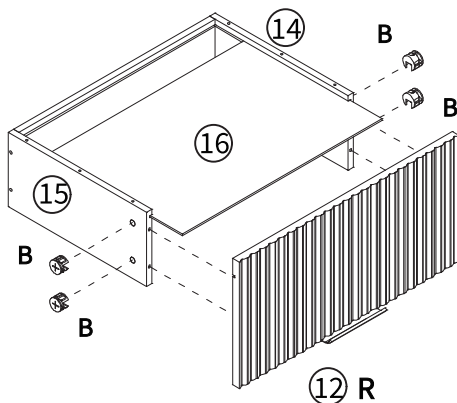
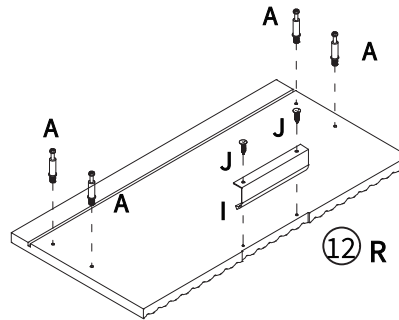
X3



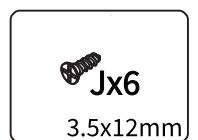
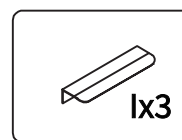
Install the part ⑬⑭⑮ with screws (F)

Insert part ⑯ along the slots of ⑭⑮, as shown .

Screw (A) to part ⑫ first.
Then use the screw (J) to assemble
handle (I) and part ⑫ together .



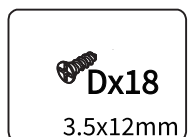
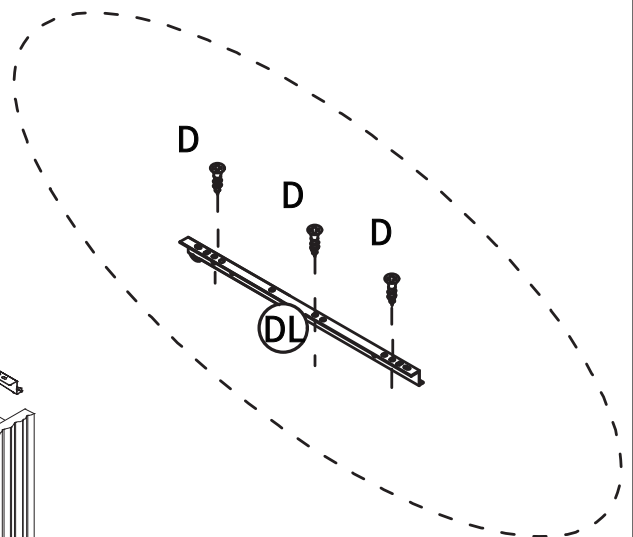
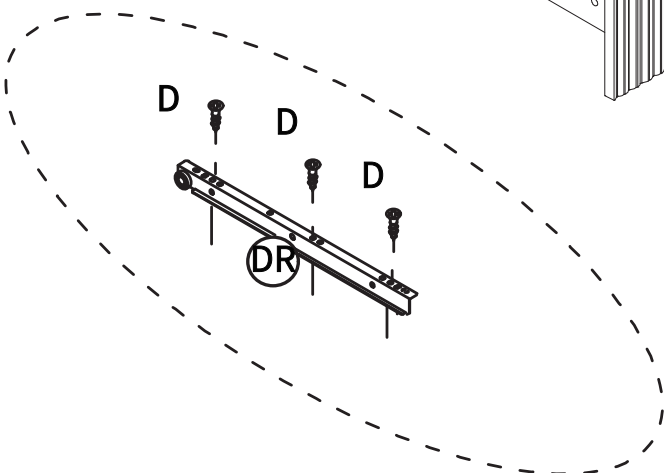
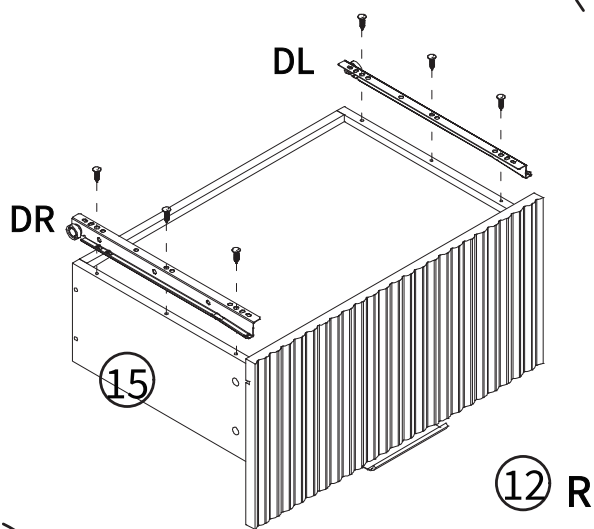
Then attach part ⑫ to assembled unit with
eccentric(B). Turn it clockwise to tighten.
As shown in following picture.



Step 18

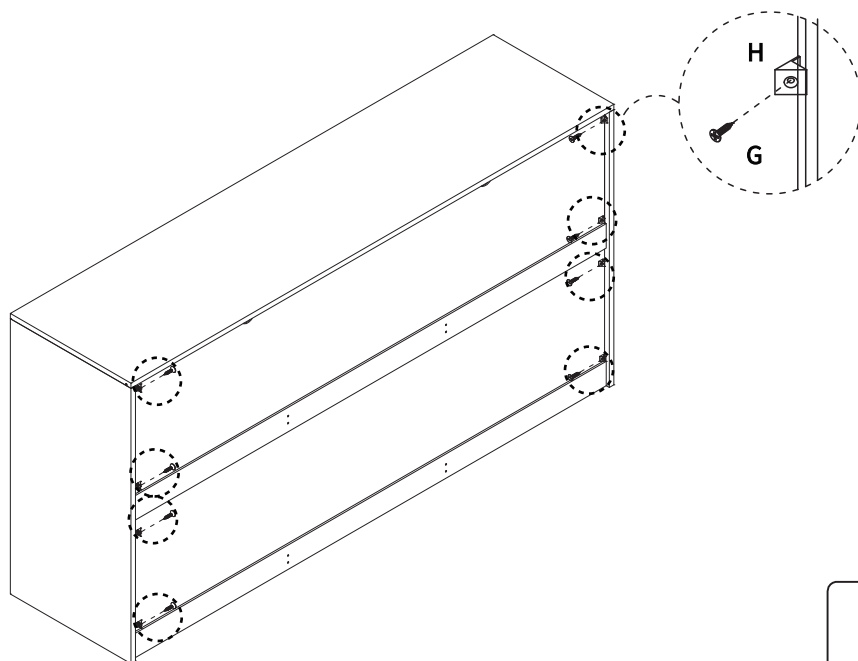
Use screws (D) to install guide rail (DR) on the part ⑮, and install guide rail (DL) on part ⑭.

The installation position is as shown above.

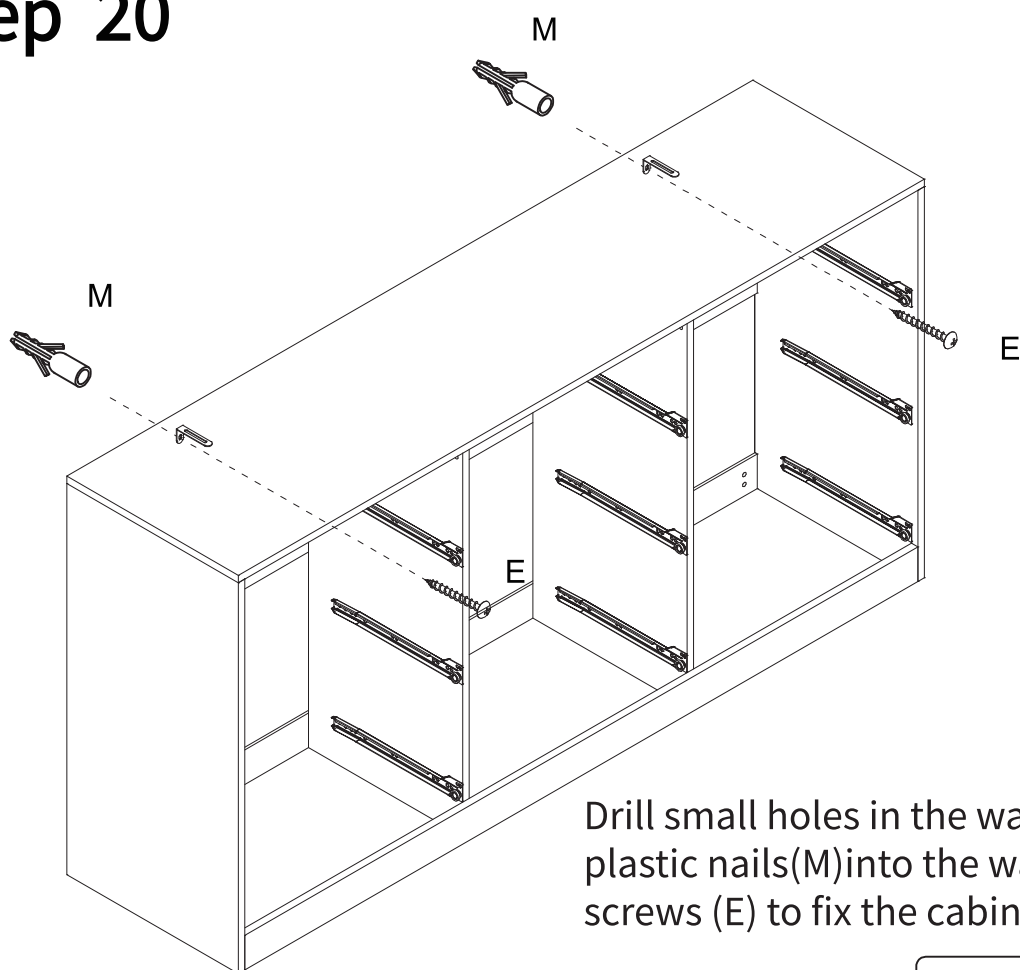


Step 19

Using the screw(G) lock component(H) to fasten the back plate buckle. The installation position is as shown in the figure below.



Step 20



Drill small holes in the wall first, then put plastic nails(M) into the wall, and then use screws (E) to fix the cabinet to the wall.



Step 21

