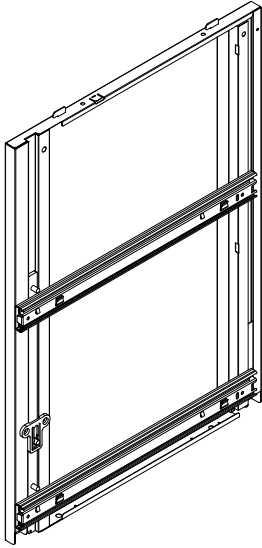
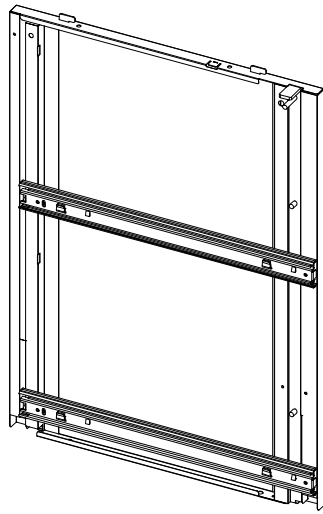


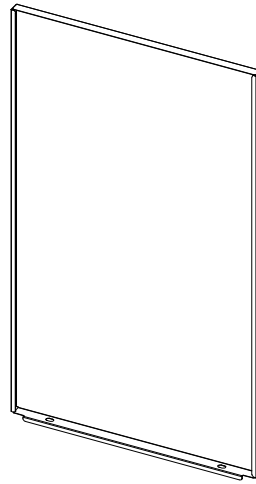
A×1



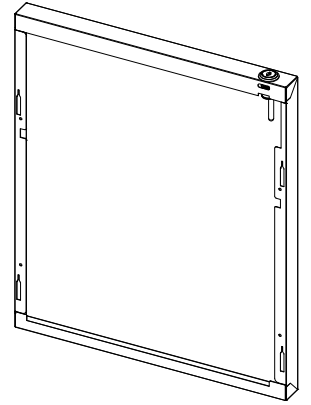
B×1



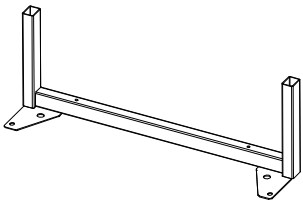
C×1



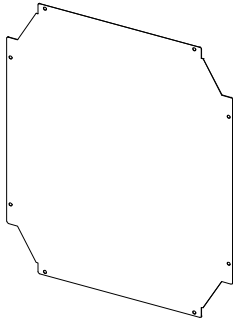
D×1



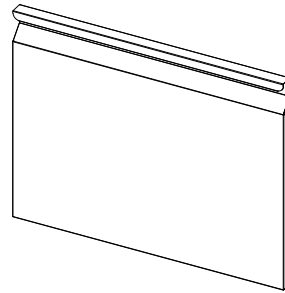
E×2



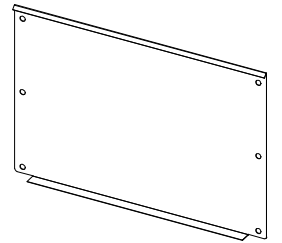
F×1



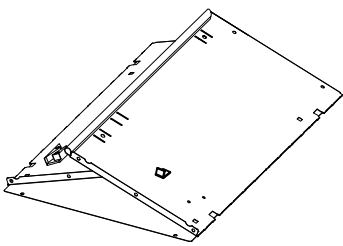
G×2



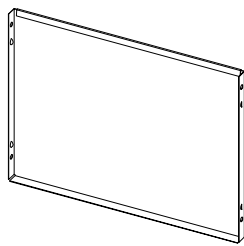
H×2



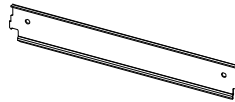
I×2



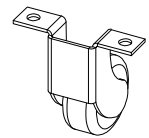
J×2



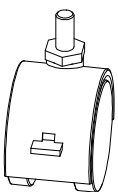
K×2



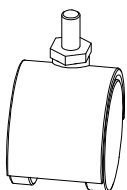
L×1



M×2



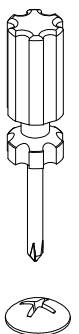
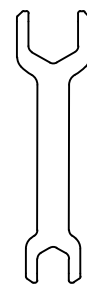
N×2



O×30

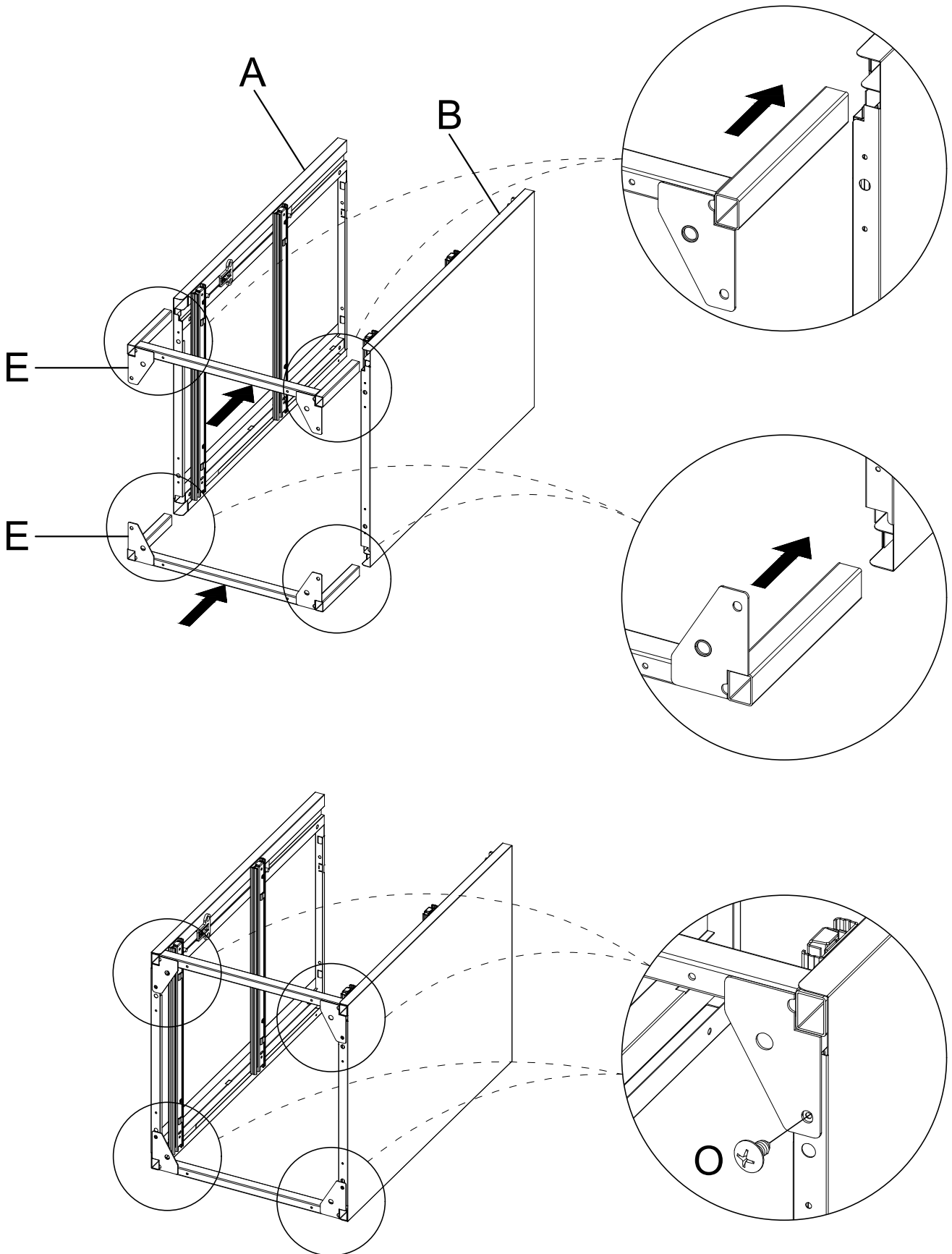


P×8



1

Insert Part E into the channels of the two side panels, and put four screws in the holes to make them in place.

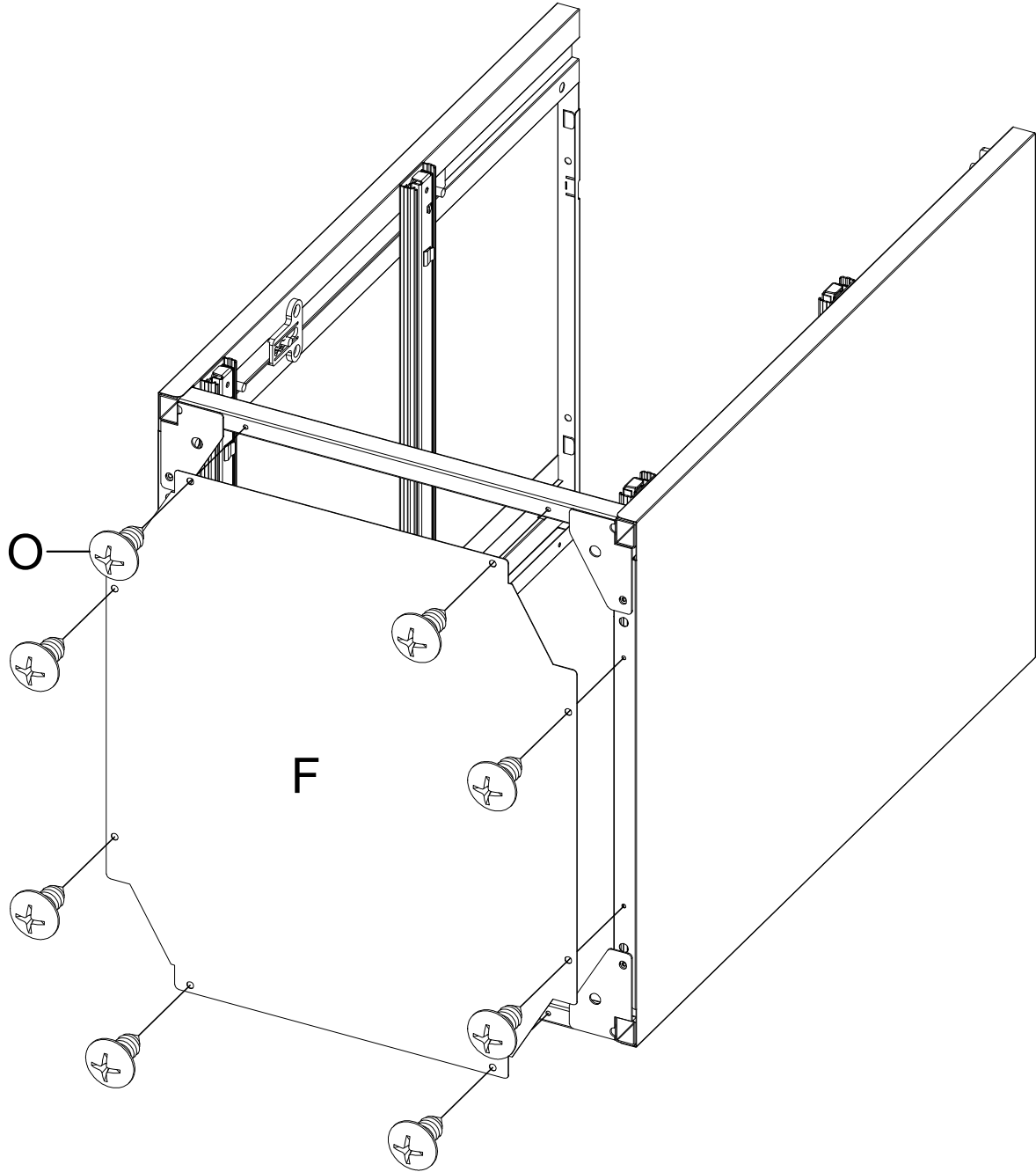



Ox4



2

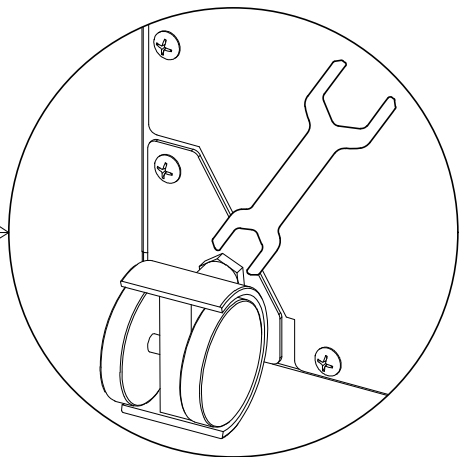
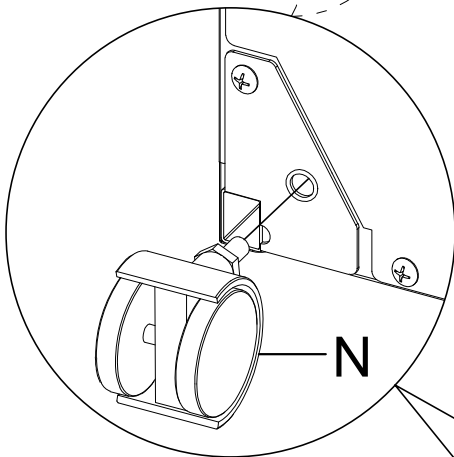
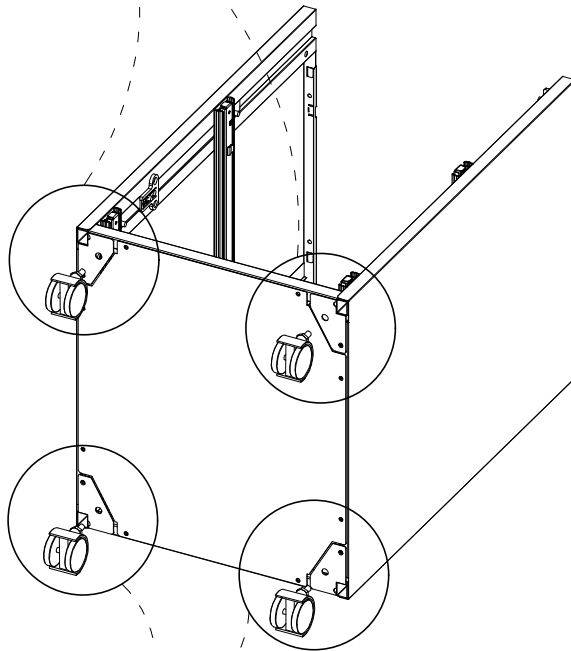
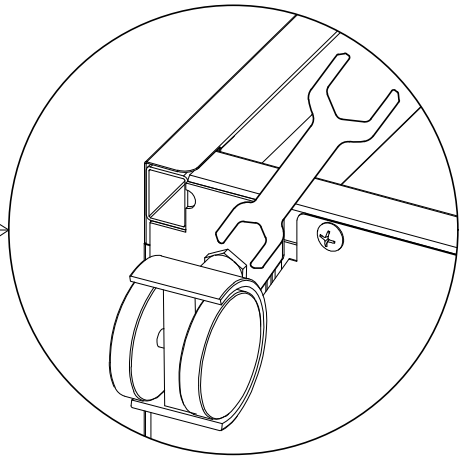
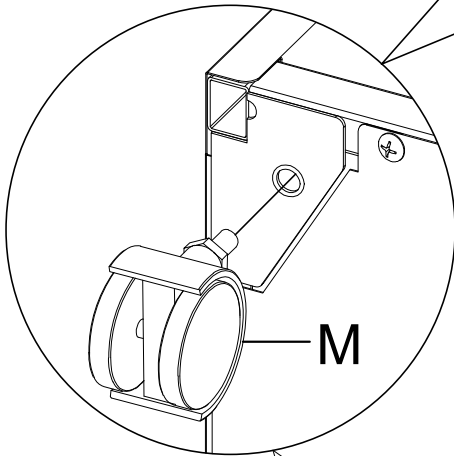
Attach part F to the frame using eight screws.



Ox8 

3

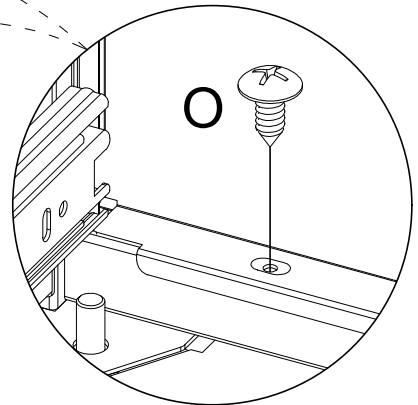
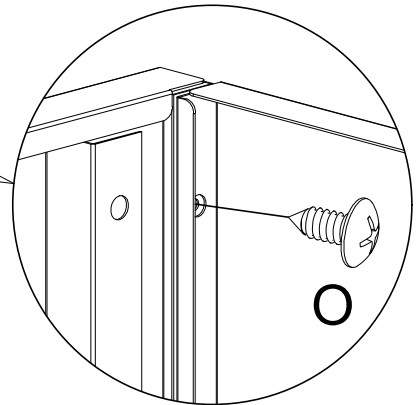
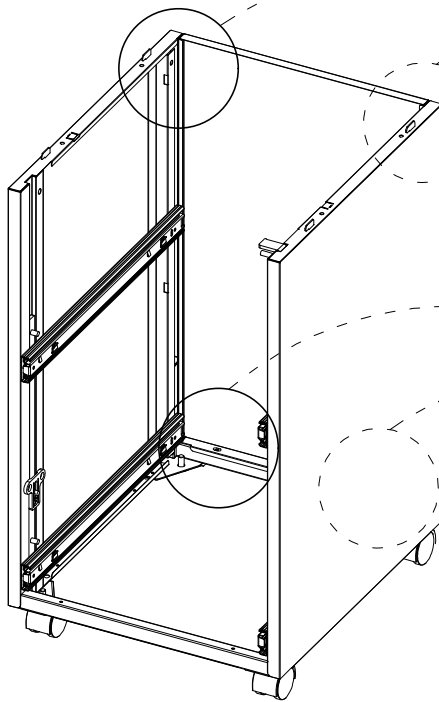
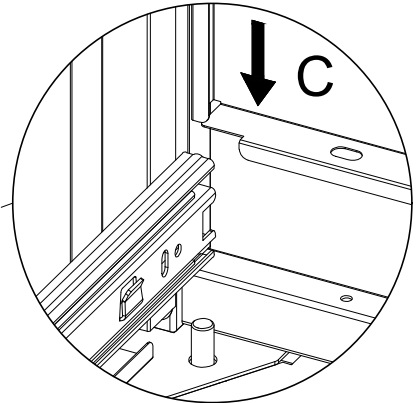
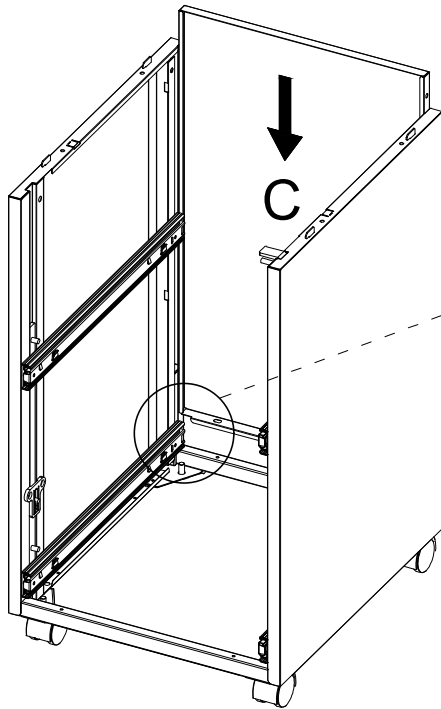
Attach the two lockable casters M to the front.




Attach the two casters N to the back.

4

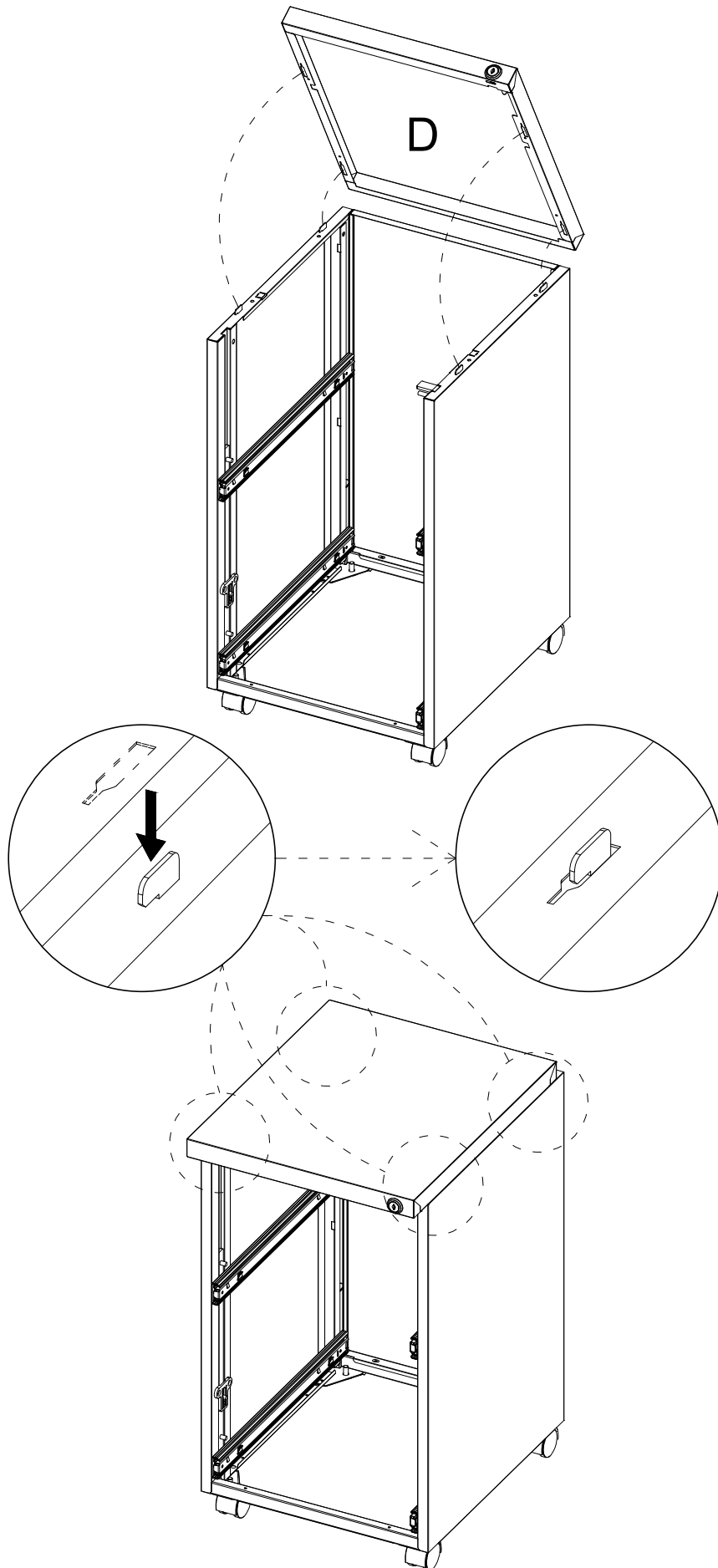
Put the rear wall C into the cabinet from above, and put four screws to hold it in place.



Ox4 

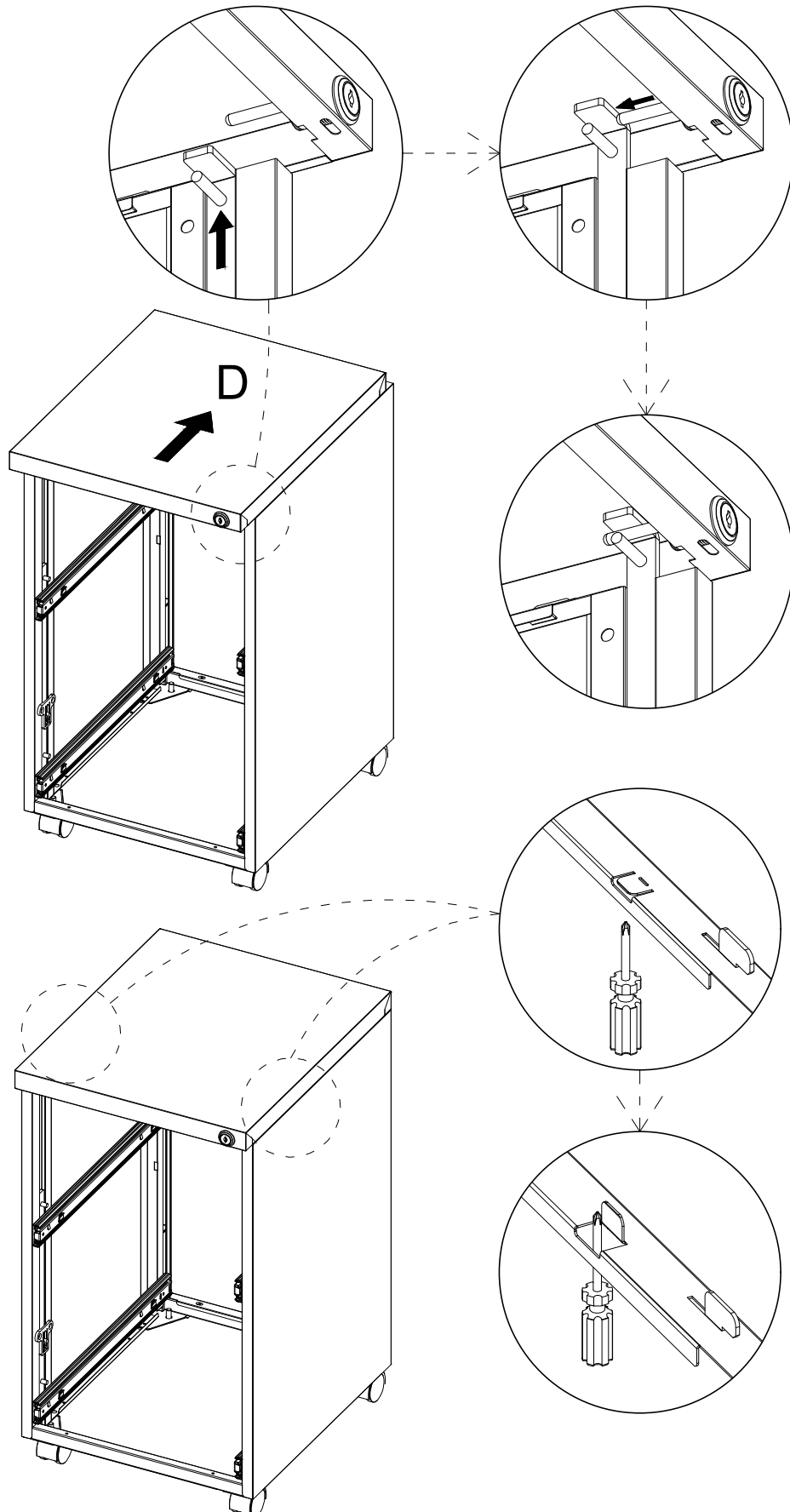
5

Place the holes on part D against the four tabs on the frame.



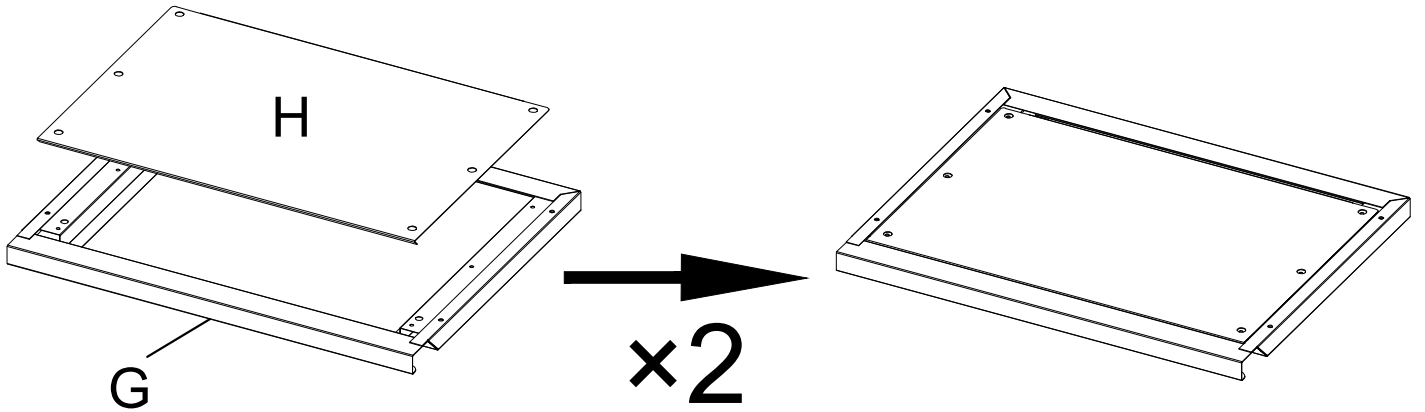
6

Slowly push the lock bar on the right side UP until the lock on the top plate D can be inserted into the small hole. Then pushed into place towards the back, and once in place use a screwdriver to push the tabs through, which will lock them in place.

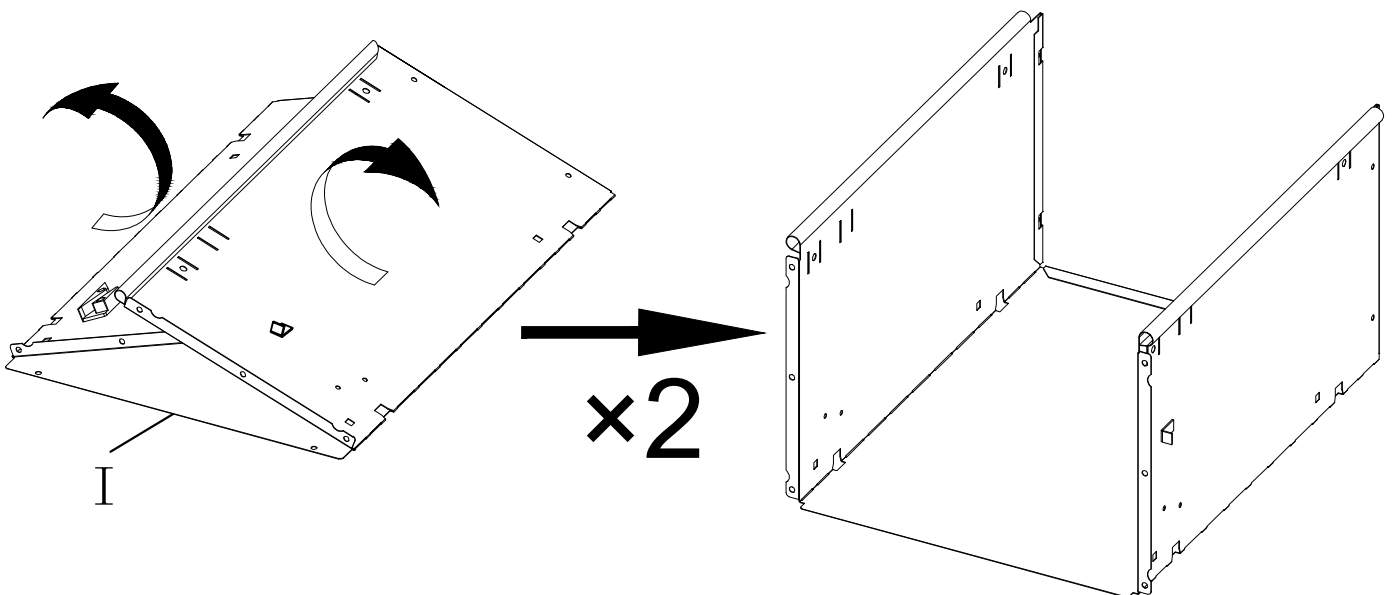


7

Place part H on part G.

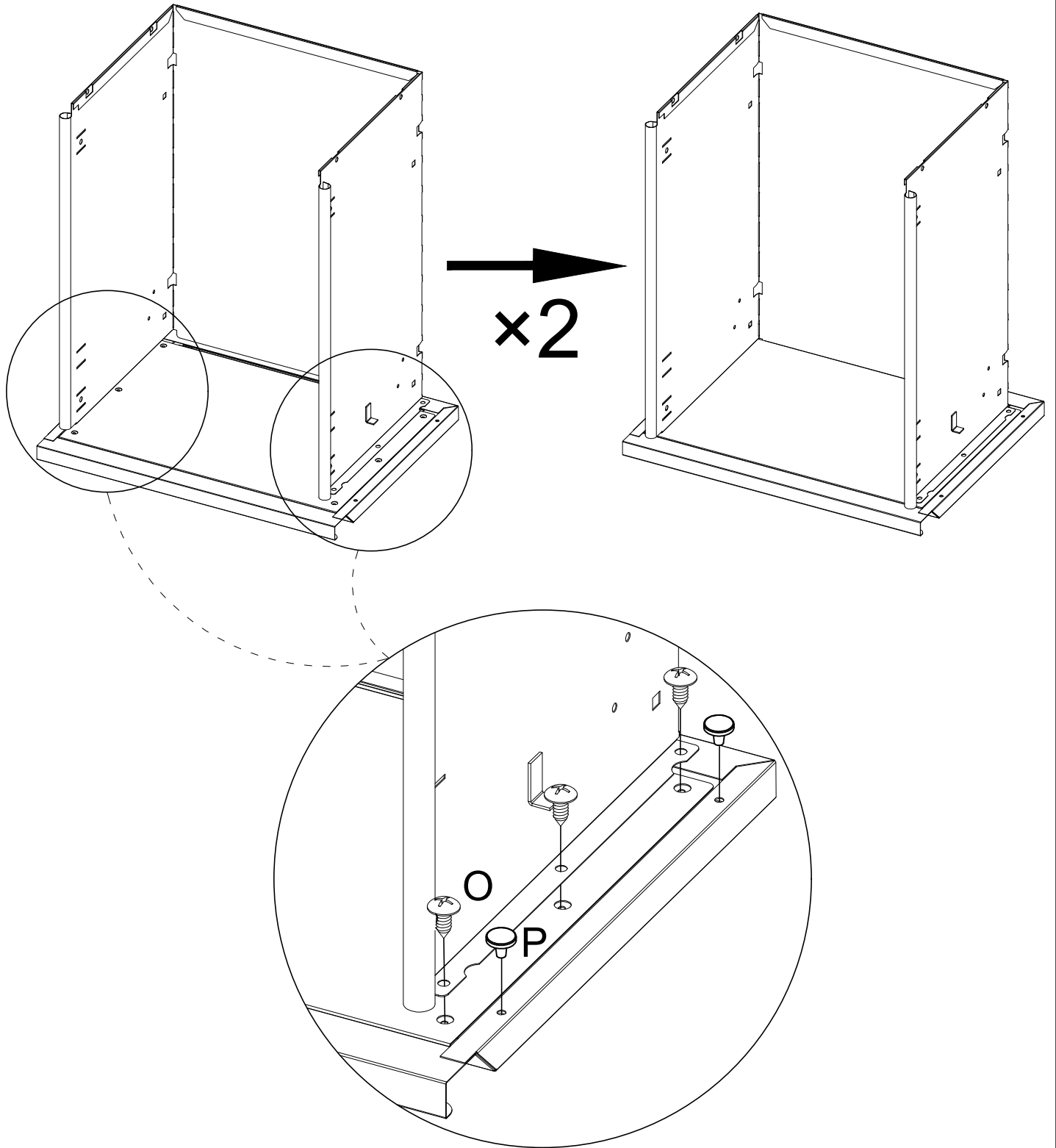



Bend the side walls of the drawer to vertical.
Note the smooth side of the drawer is inside.




8

Put in the six screws to attach the drawer panel to the drawer side wall.

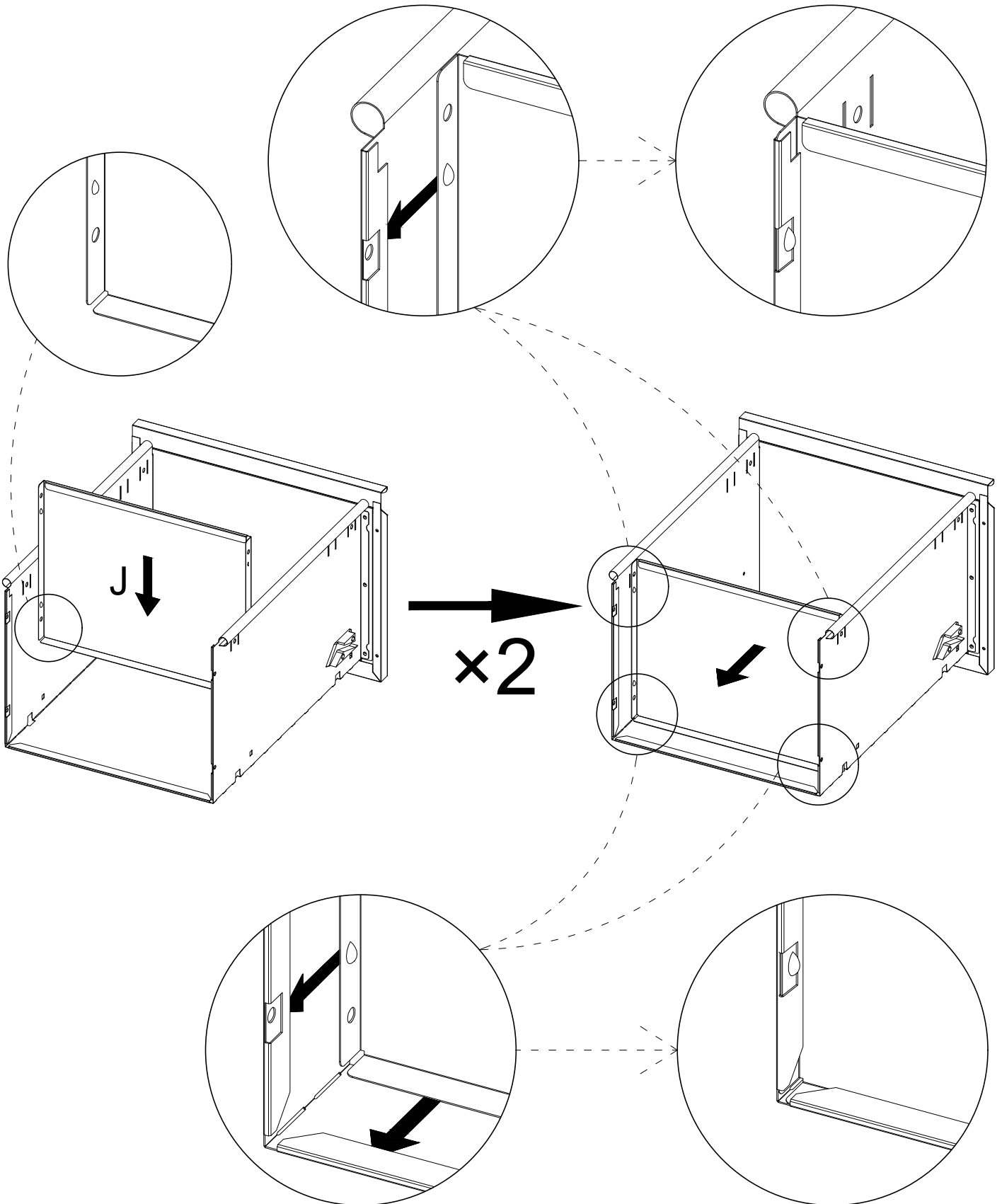


Ox12 

Px8 

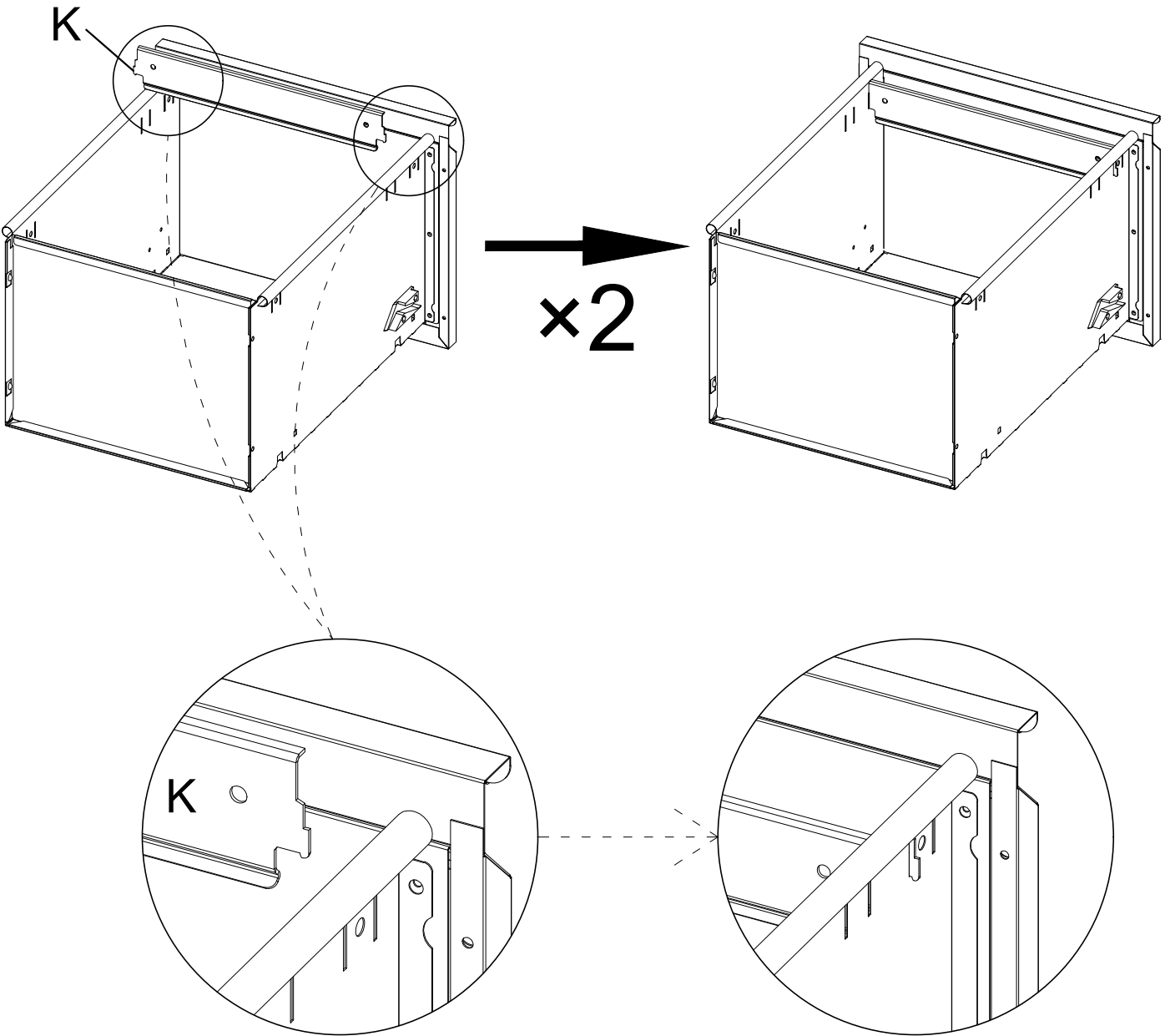
9

Insert the drawer back wall from the inside.
Make sure that the little bits protruding from
Part J are all inserted.



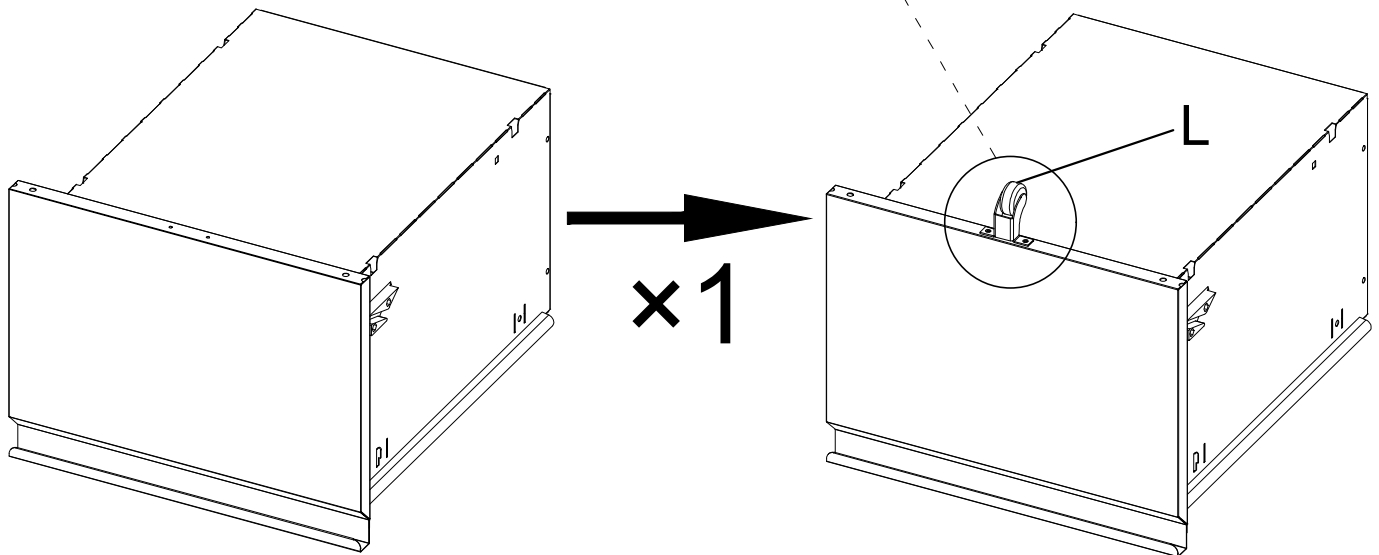
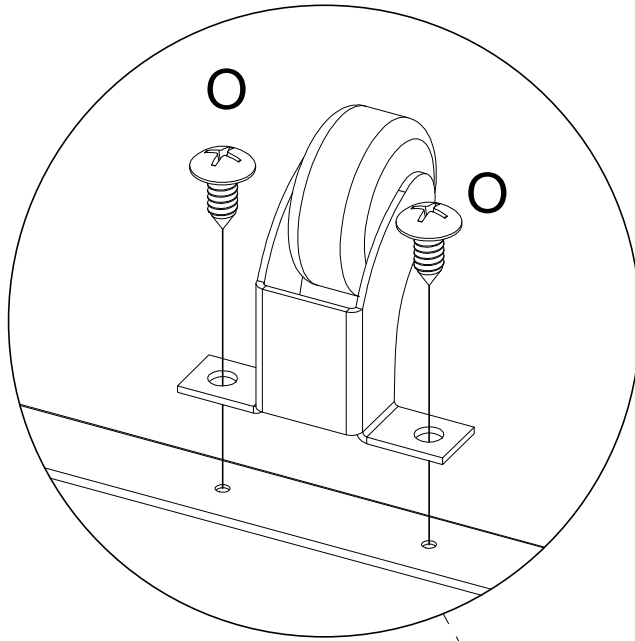
10


Put in file folder bar K.



11

Fix the central castor to the drawer with two screws.

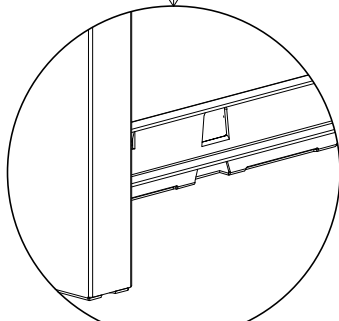
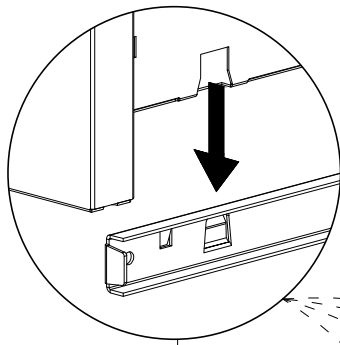
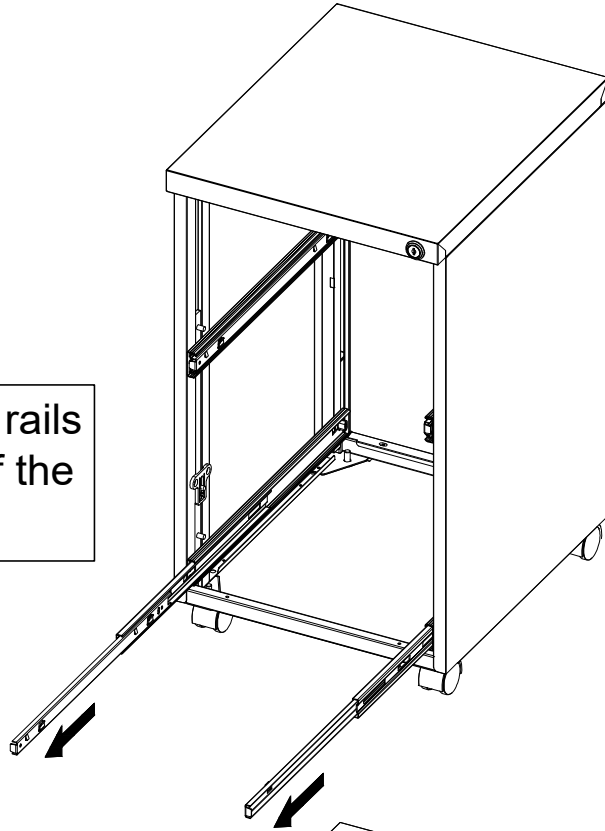


Ox2 

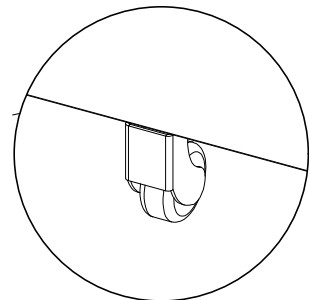
12

Take care to fit the drawer with the central castor to the bottom.

Pull out the two sliding rails at the arrow position of the cabinet completely.

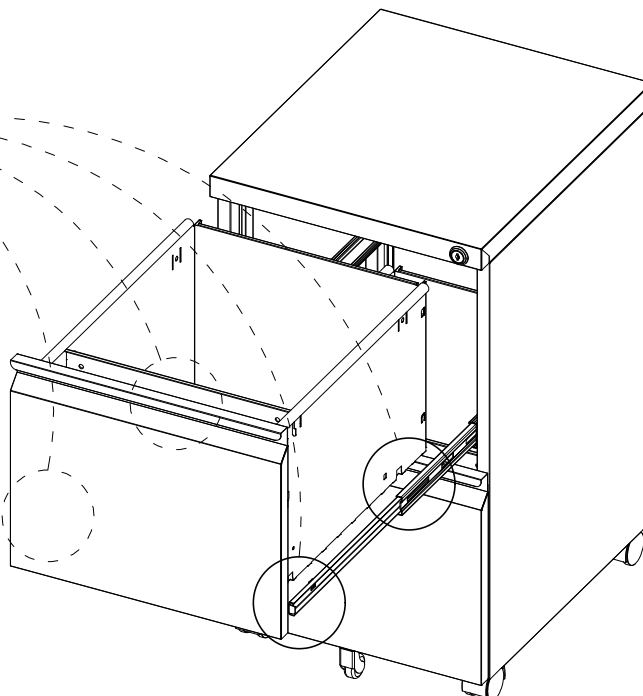
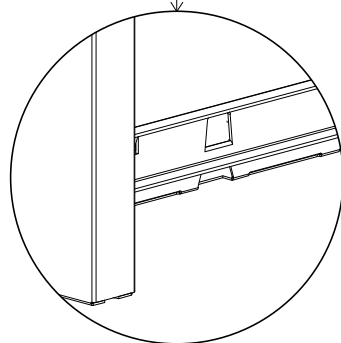
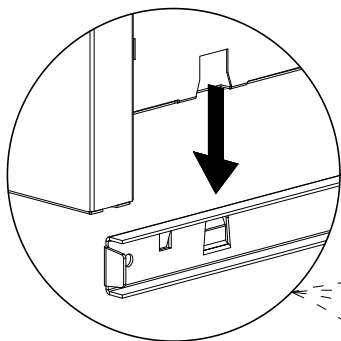
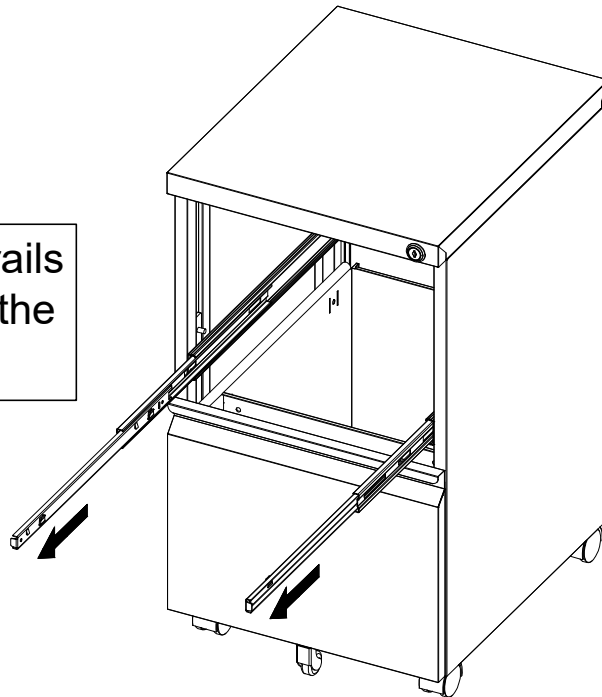


Snap the two holes on both sides of the drawer into the rail clips. Push down the drawer while pulling up the rails to snap it into place.



13

Pull out the two sliding rails at the arrow position of the cabinet completely.



Snap the two holes on both sides of the drawer into the rail clips. Push down the drawer while pulling up the rails to snap it into place.