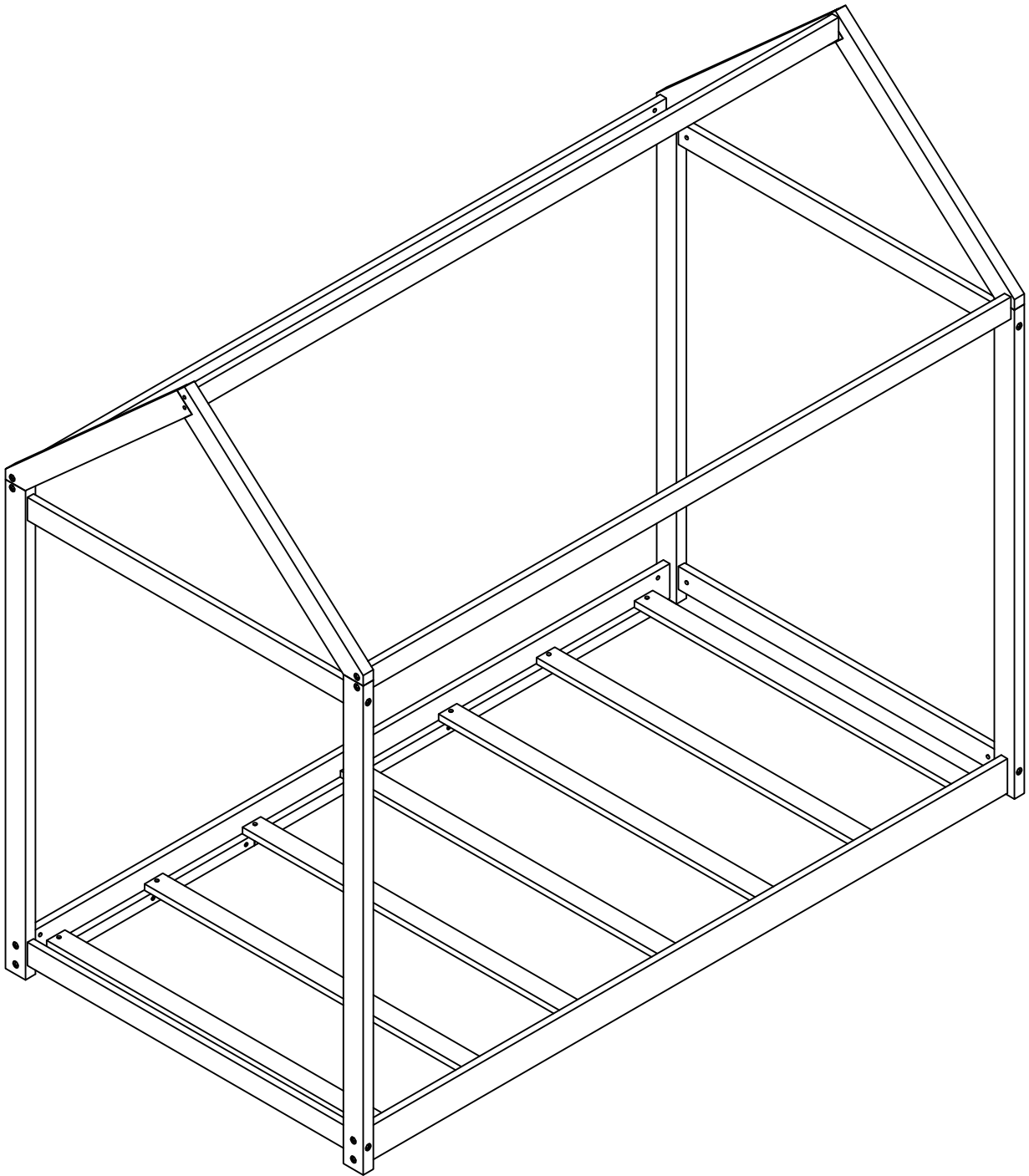
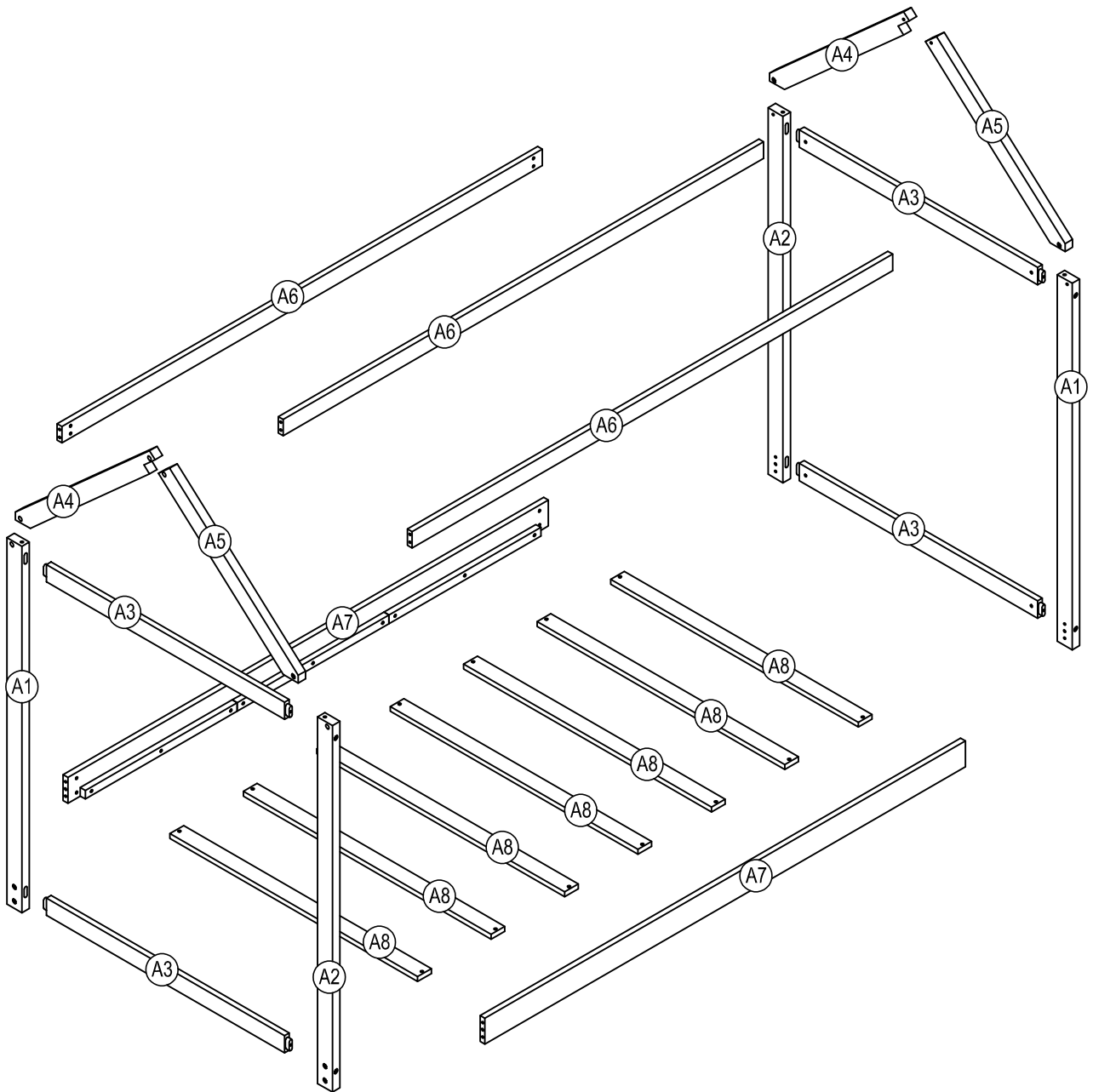


ASSEMBLY INSTRUCTION



ASSEMBLY INSTRUCTION



Part List & Hardware List

A1



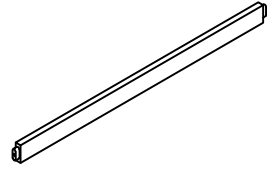
Leg - 2pcs

A2



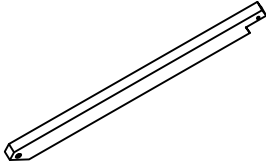
Leg - 2pcs

A3



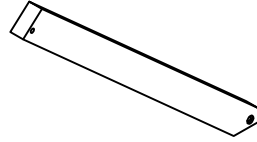
WoodBar - 4pcs

A4



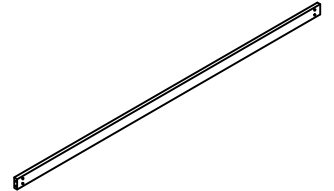
WoodBar - 2pcs

A5



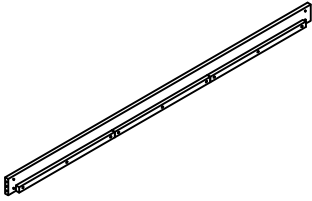
WoodBar - 2pcs

A6



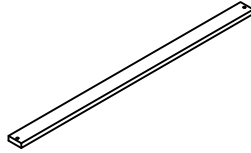
WoodBar - 3pcs

A7



Side Rails - 2pcs

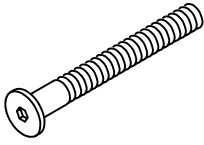
A8



Slats - 7pcs

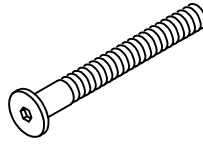
Hardware List

1



Ø1/4" x 80 mm
Hex-Head bolts: 20 pcs

2



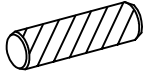
Ø1/4" x 100 mm
Hex-Head bolts: 8 pcs

3



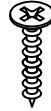
Ø1/4" x 13 mm
Horizontal-Hole bolts 28 pcs

4



Ø10 x 40 mm
Wood dowel 8pcs

5

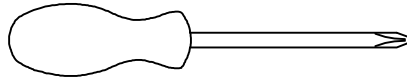


M4 x 30 mm
Wood Screws 14pcs

6

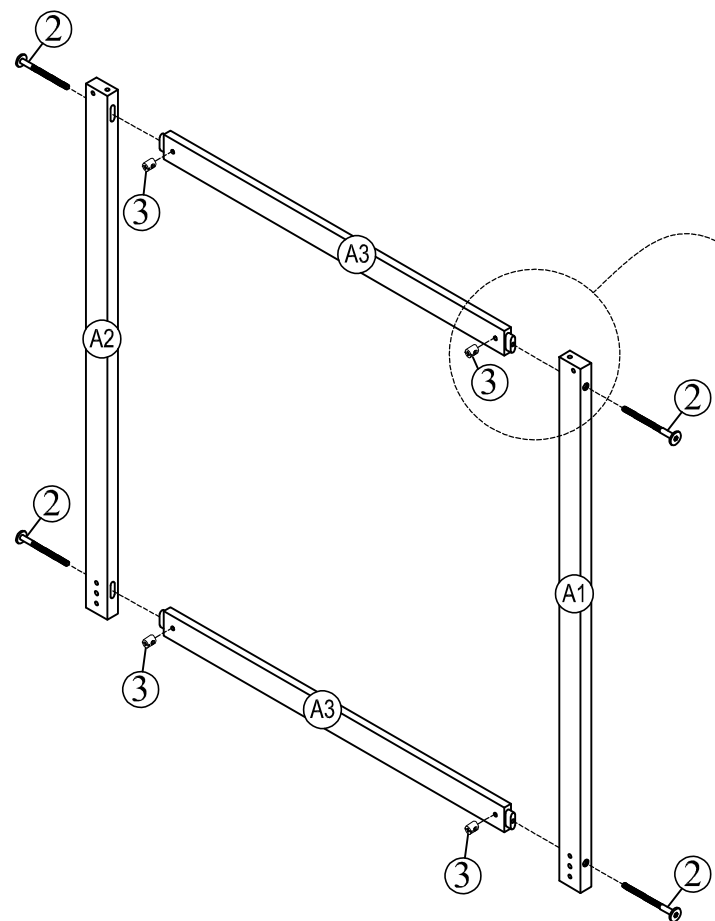


Allen Key 1pc



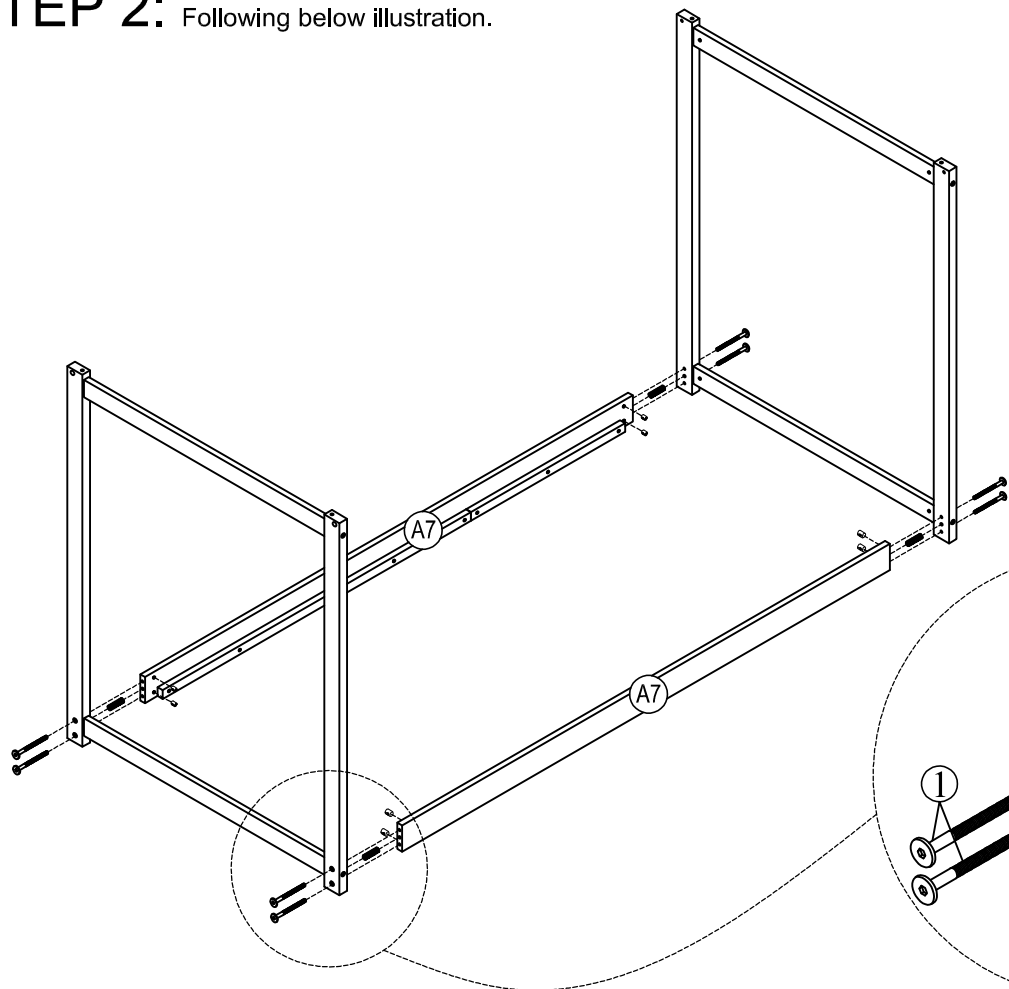
Assembly Tools Required (Not Included)

STEP 1 x 2: Following below illustration.



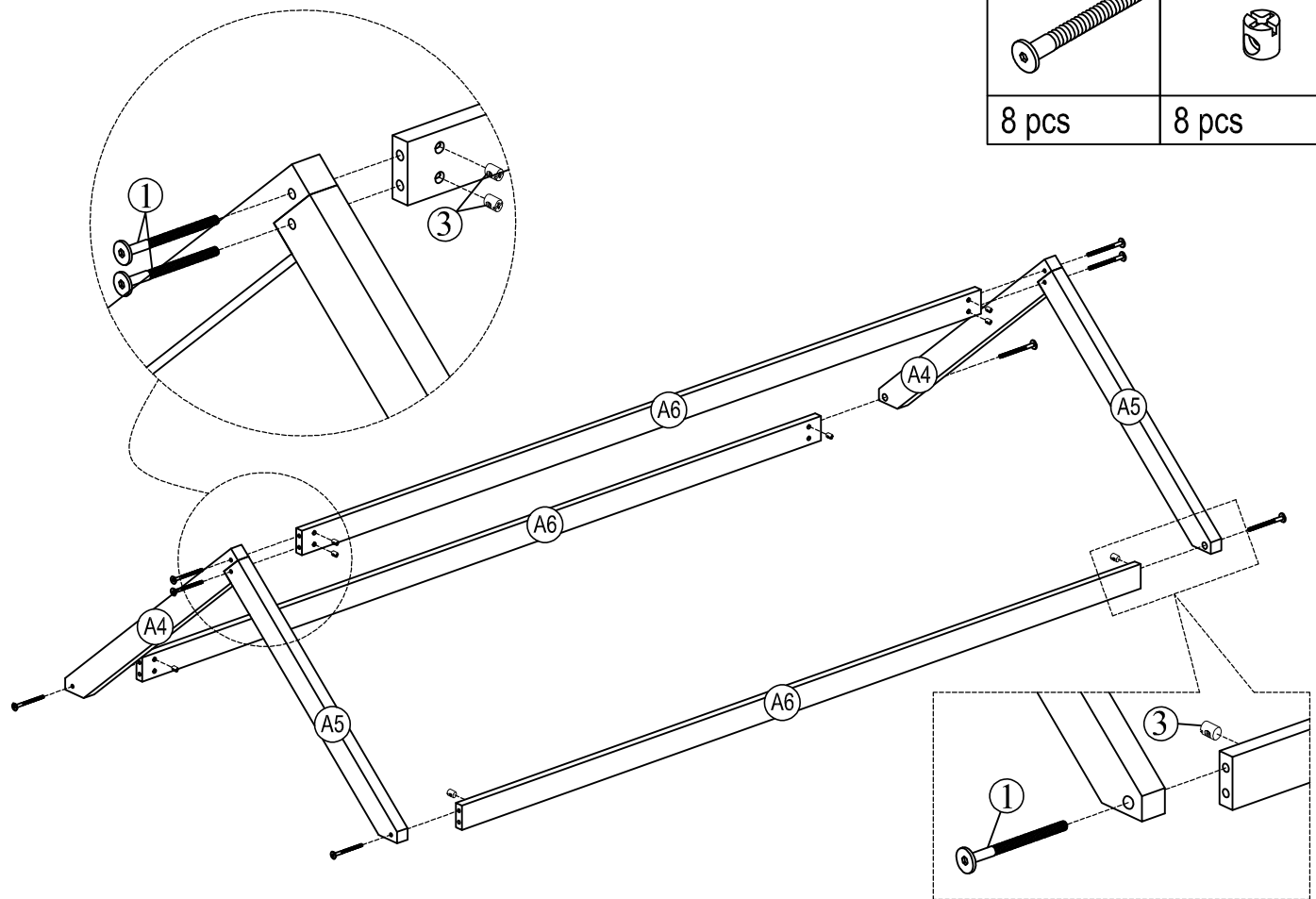
2	3
8 pcs	8 pcs

STEP 2: Following below illustration.

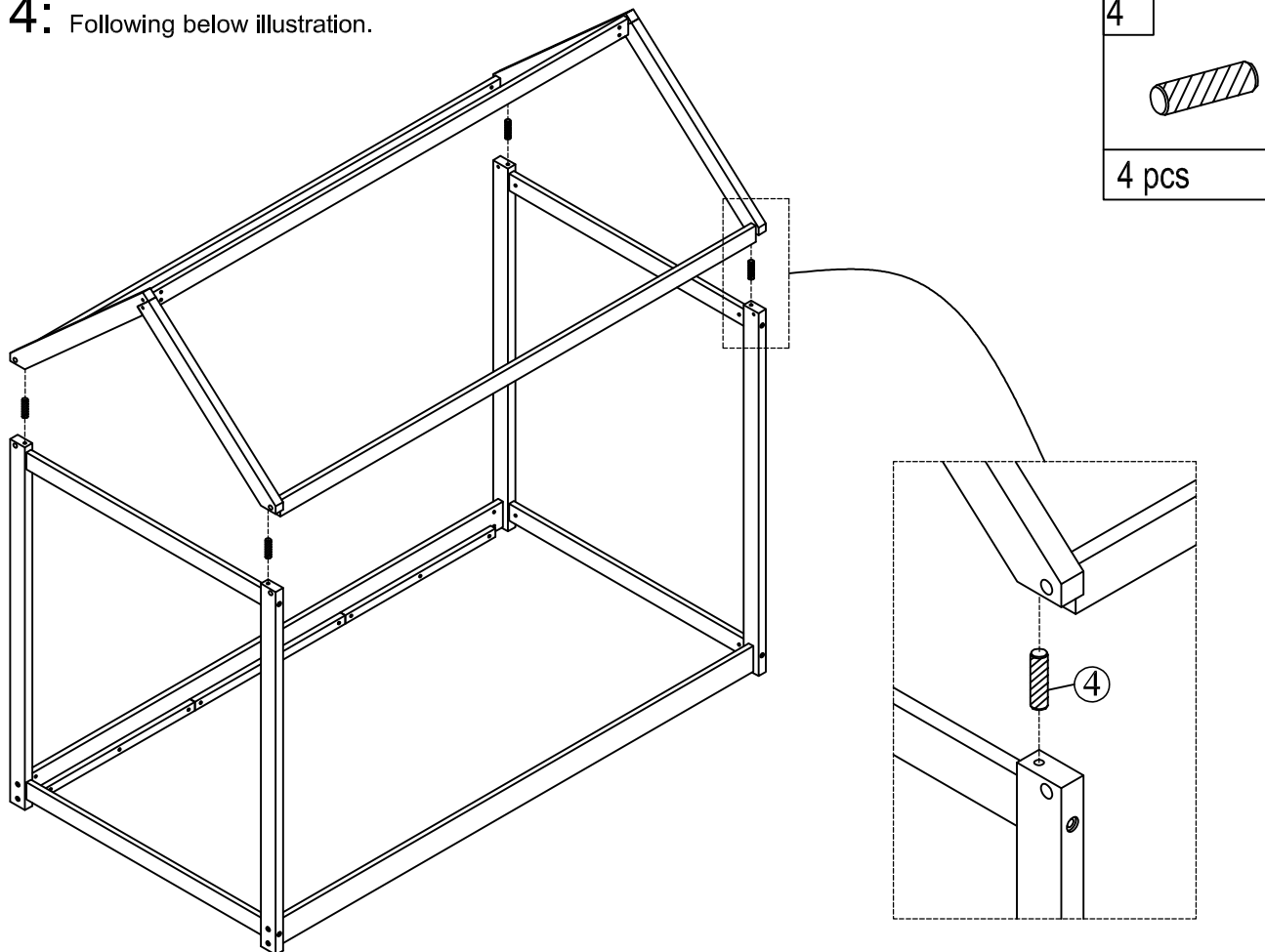


1	3
8 pcs	8 pcs
	4
	4 pcs

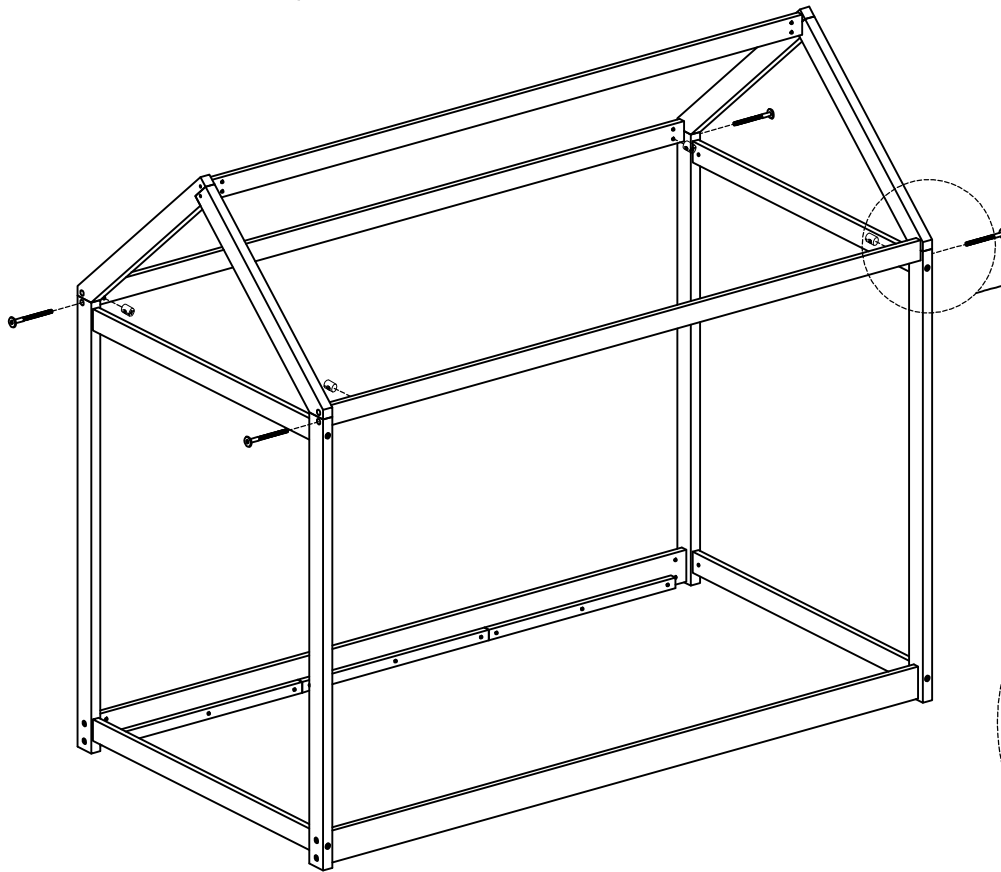
STEP 3: Following below illustration.

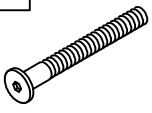



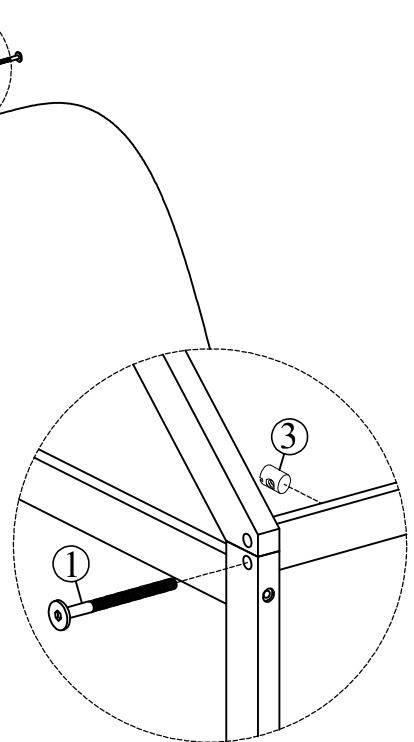
STEP 4: Following below illustration.



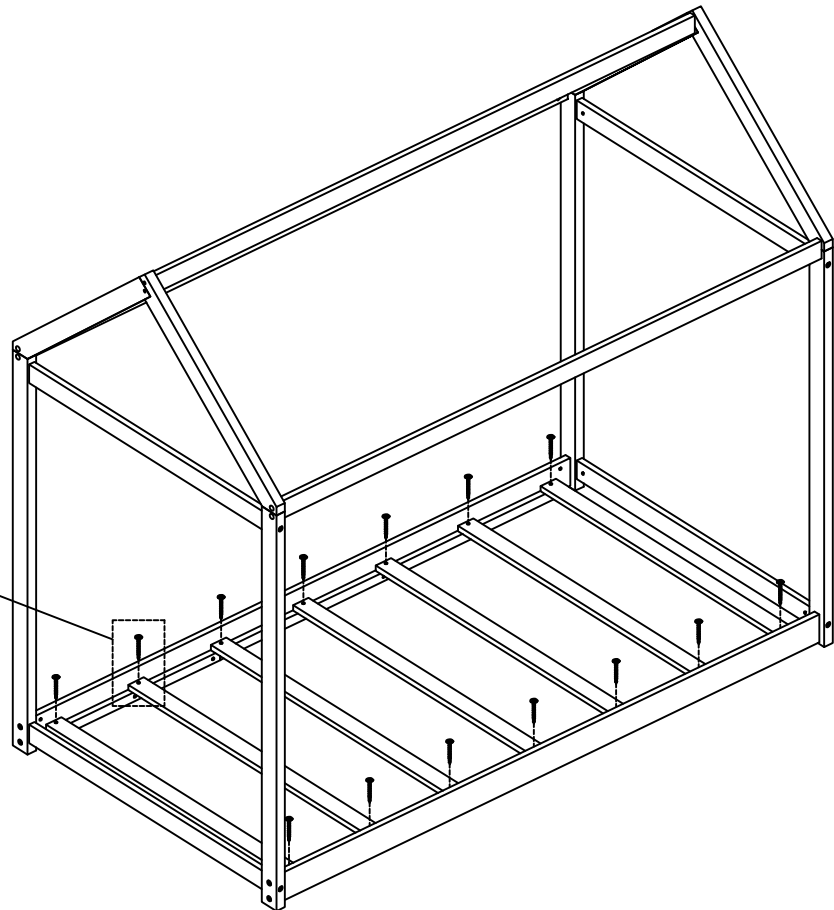
STEP 5: Following below illustration.




1	3
	
4 pcs	4 pcs



STEP 6: Following below illustration.



5

14 pcs

