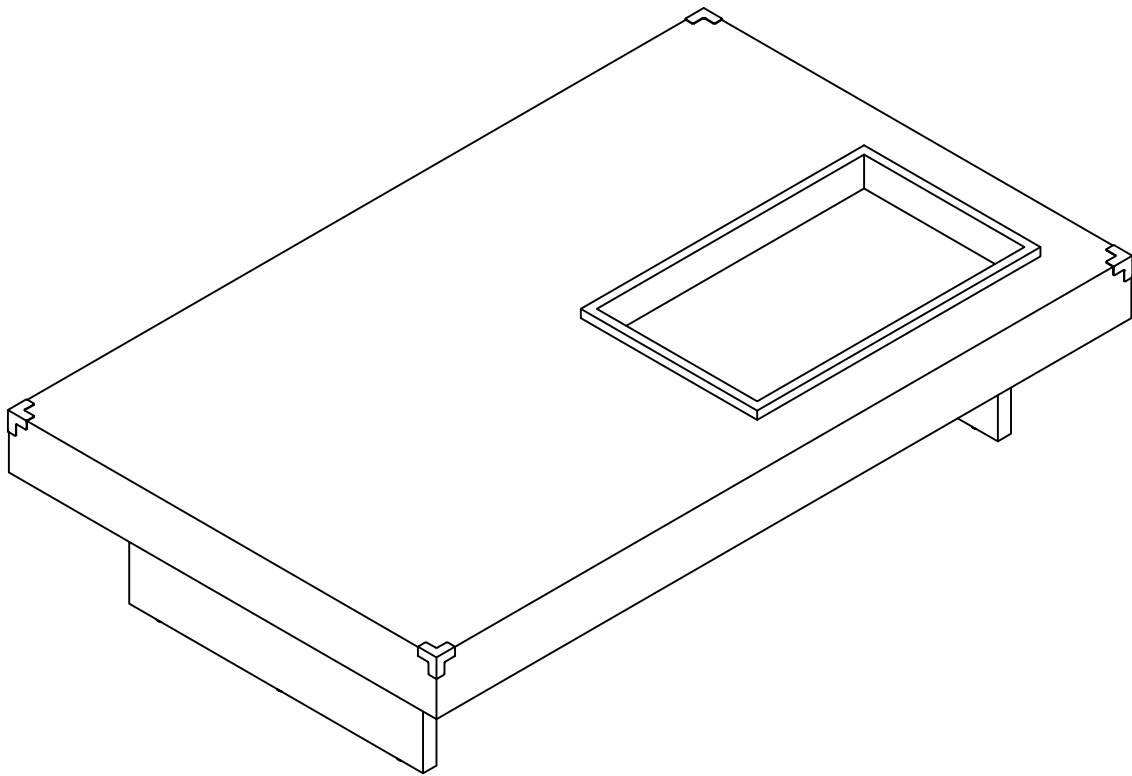


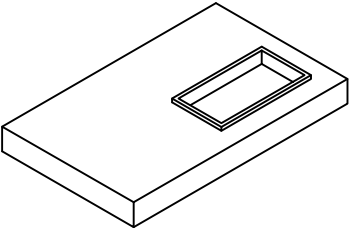
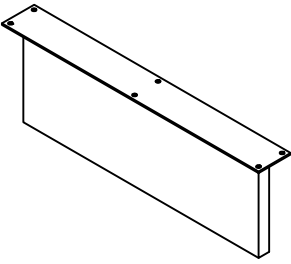
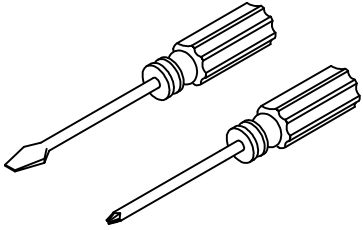
# Assembly Guide

## Coffee table

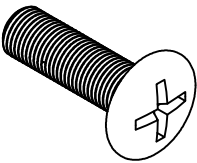
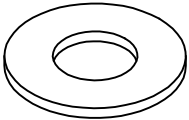
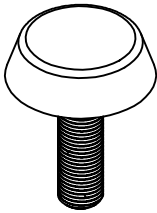



Tips: Do not throw away packing materials until assembly is complete for small parts may come loose inside the carton during shipment. If parts are missing, please contact us. Assemble this item on a soft surface, such as carpet to protect the finish.

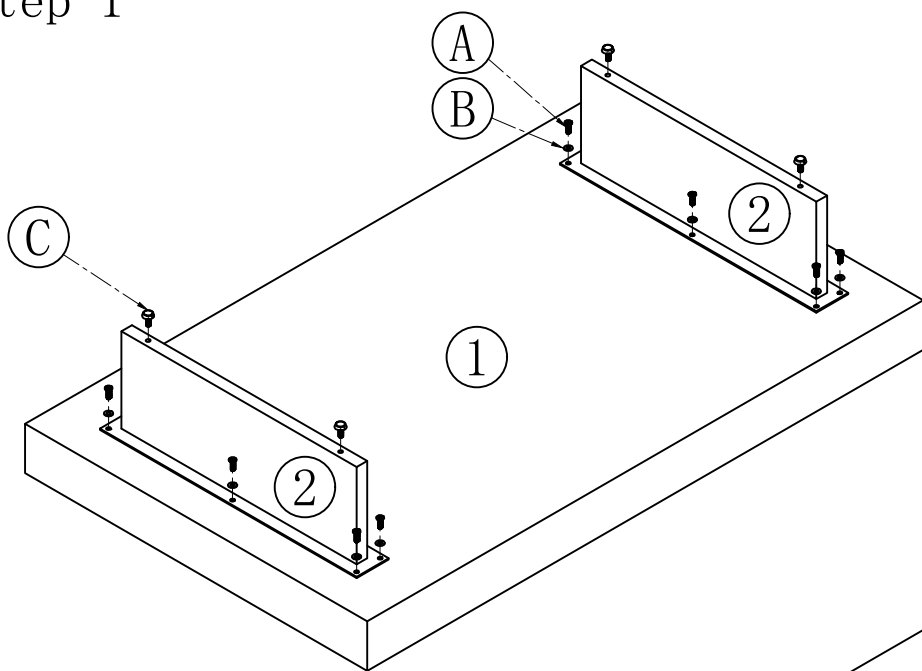
## PARTS LIST

<span style="font-size: 24px;">①</span> 	<span style="font-size: 24px;">②</span> 	  phillips head screw driver required for assemble---not include
table top=1	foot=2	

## HARDWARE LIST

<span style="font-size: 24px;">A</span> 	<span style="font-size: 24px;">B</span> 	<span style="font-size: 24px;">C</span> 	<span style="font-size: 24px;">D</span> 
M8*20 round head cross screw=12	gaskets=12	M8 adjustable foot nail=4	corner guard=4

### Step 1



1. Use 12 pcs (A) and 12 pcs (B) to install ② feet on the bottom of ① table top.
2. Install part (C) on the bottom of ② feet.

3. Install corner guard (D)  
After remove the double-sided sticker of the corner guard, and then attach it to the 4 corners (you can choose not to attach it).

