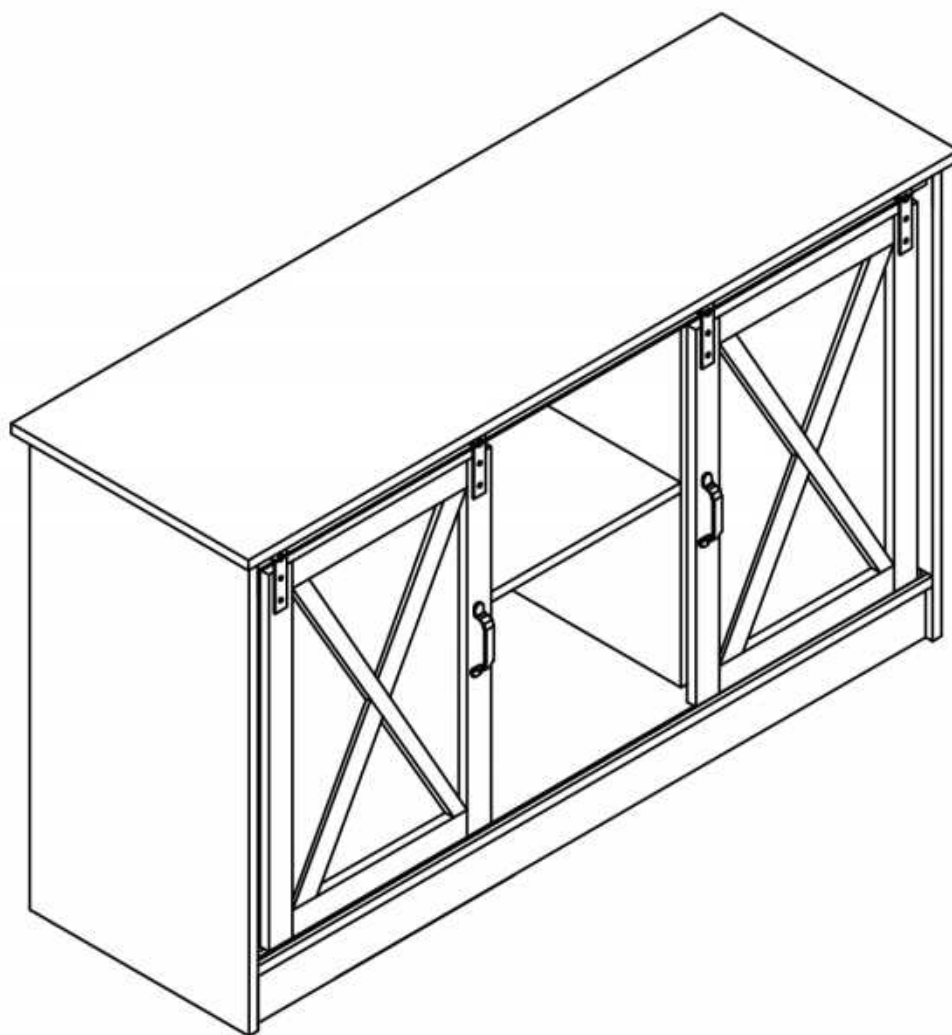
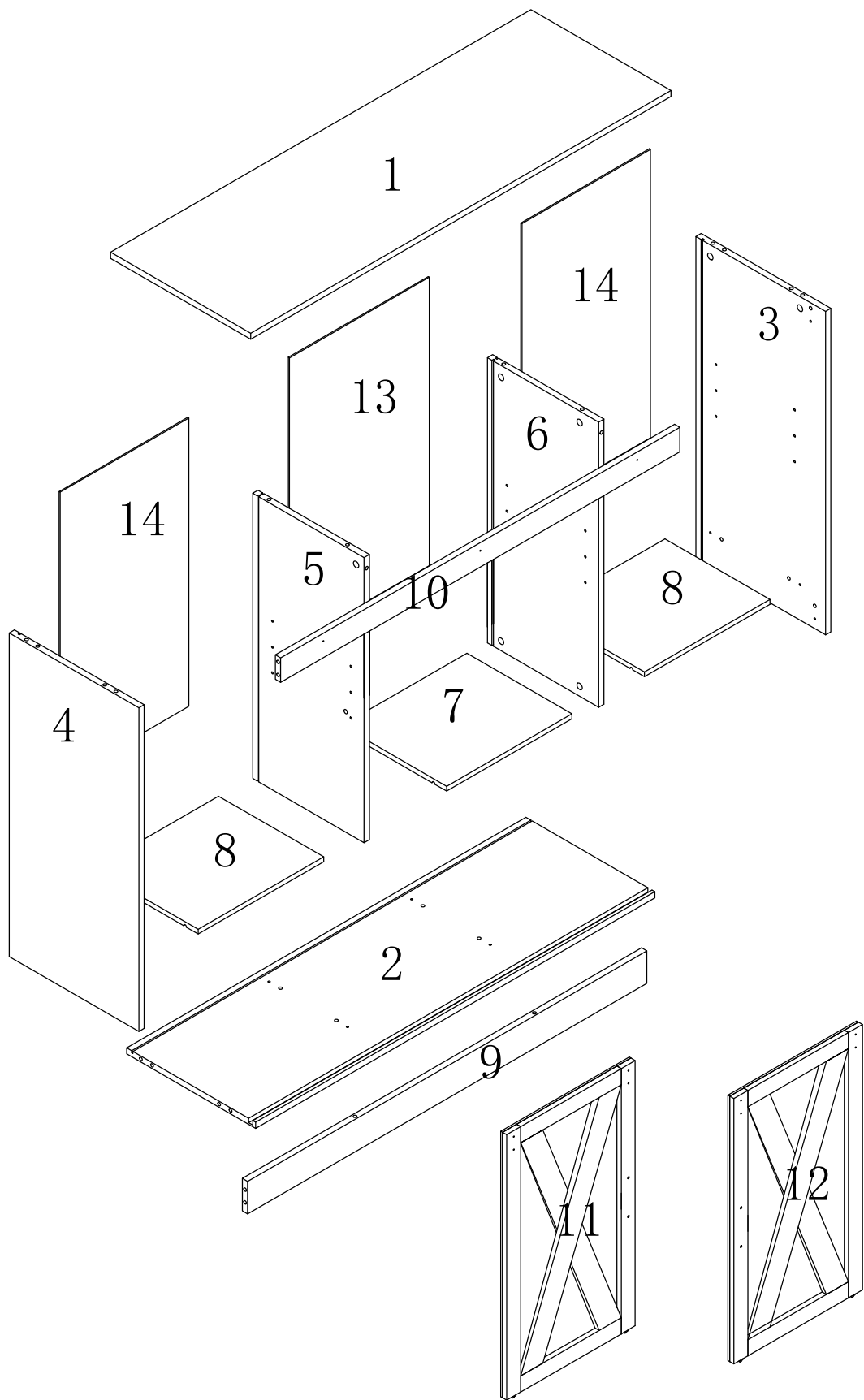
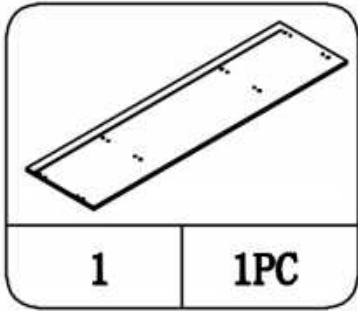


USER'S MANUAL
FARMHOUSE BUFFET SIDEBOARD
SKU: KD003501
KD004301

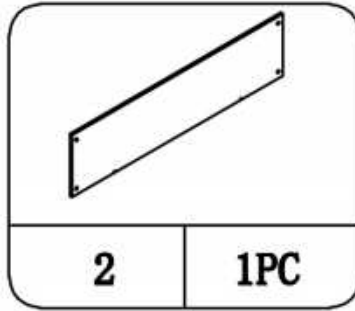




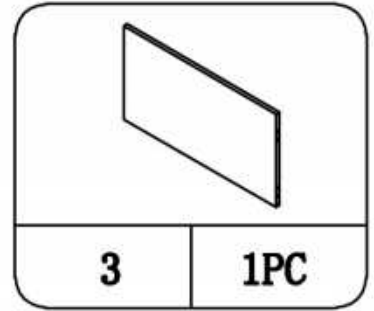
Part List



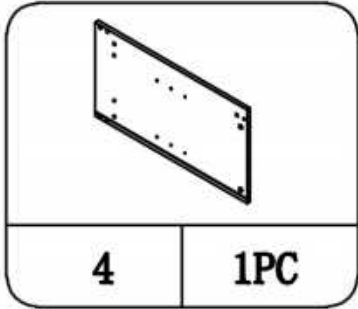
Desktop Board



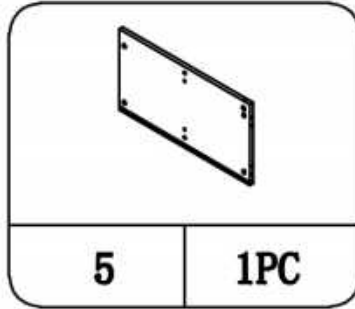
Bottom Board



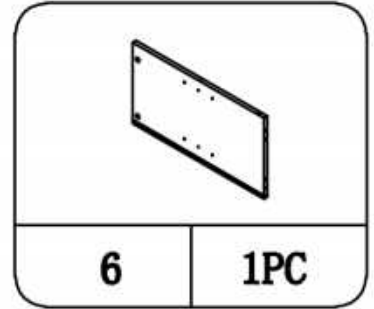
Right Board



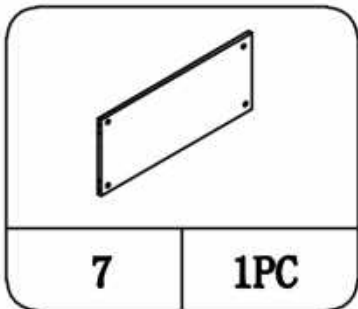
Left Board



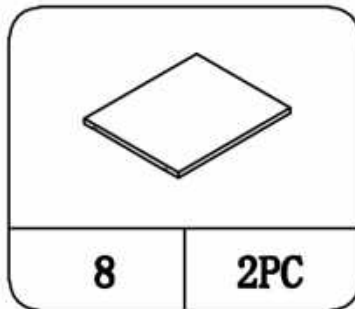
Middle Left Board



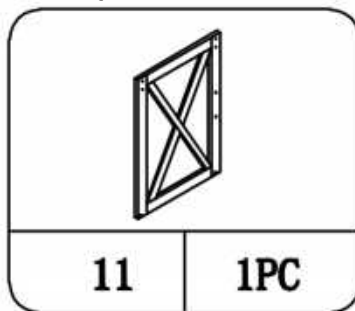
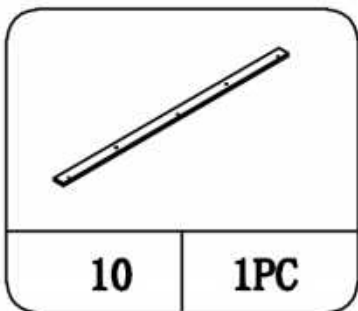
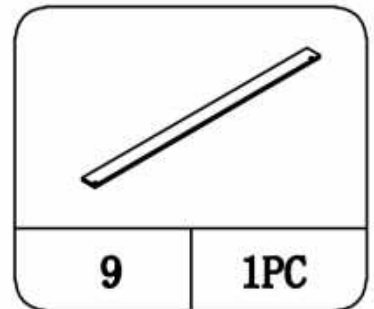
Middle Right Board



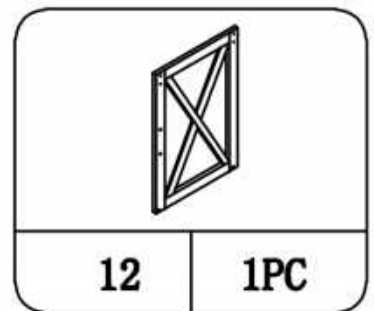
Middle Shelf



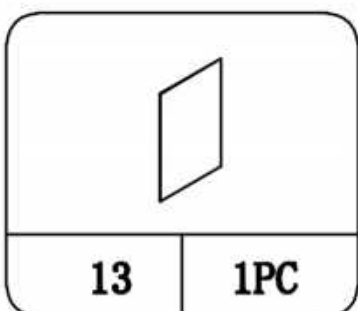
Adjustable Shelf



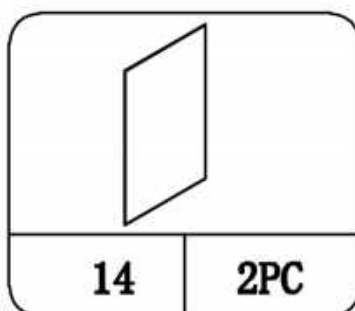
Left Door



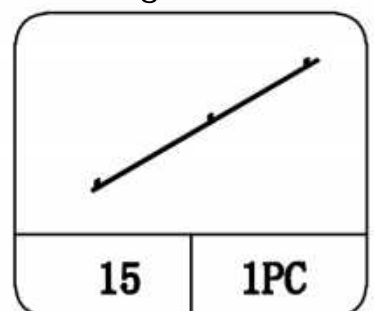
Right Door



Middle Back Board

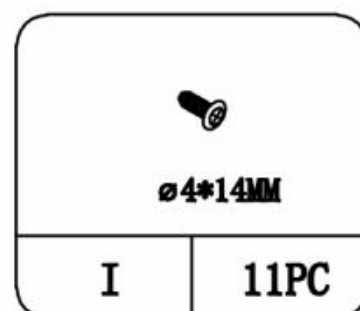
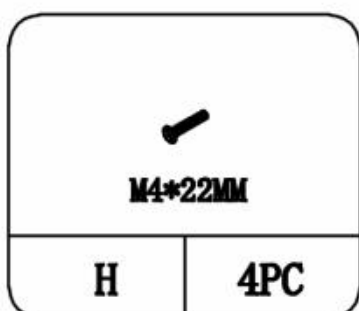
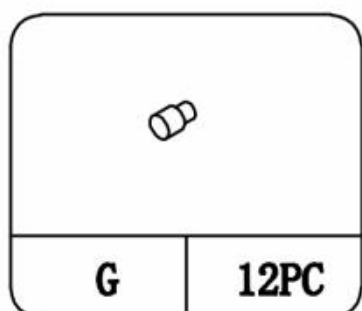
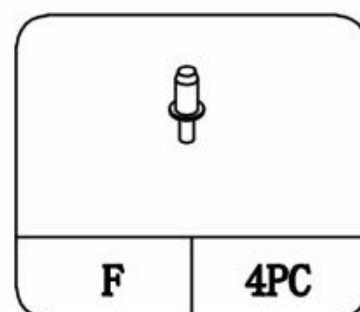
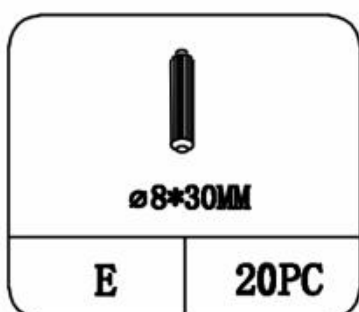
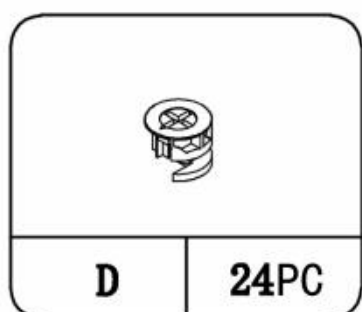
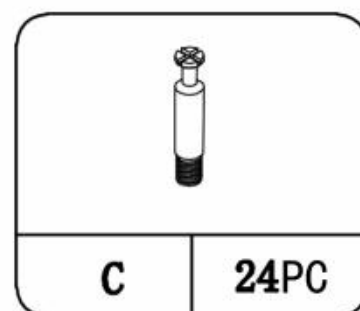
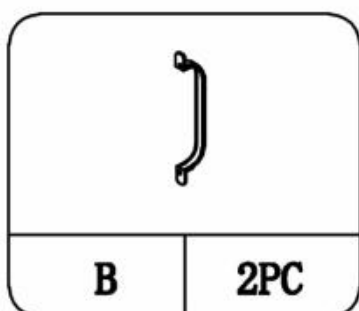
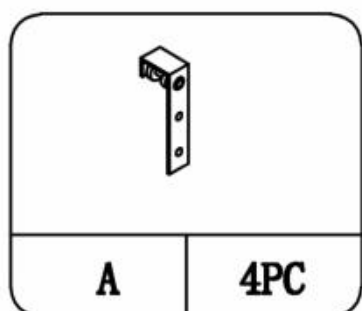


Side Back Board



Slide

Hardware List



REPLACEMENT PARTS

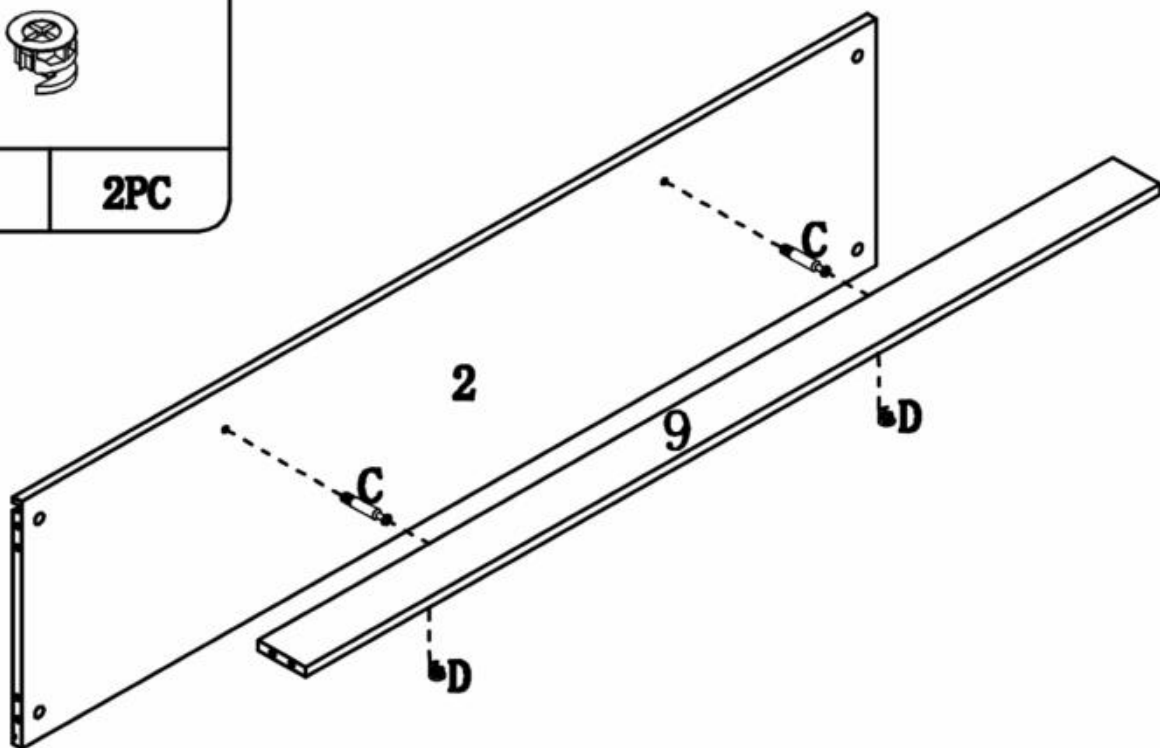
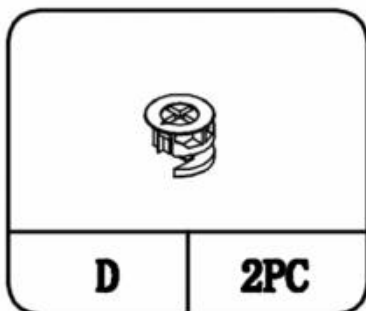
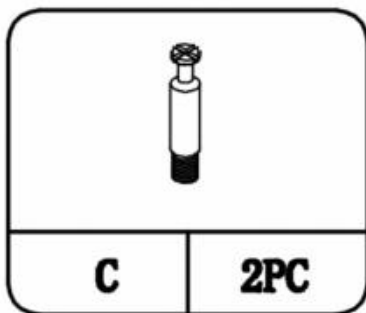
We are devoted to provide the best products and services for customers. Please contact us via the "Contact seller" button in the detail page of your order for any concern and we'll response as soon as possible.

STEP 1

Insert cam bolt (C) to part (2) with screwdriver.

Attach Part (2) to part (9) through bolt (C)

Insert and secure cam lock (D) to part (9) to lock part (2).

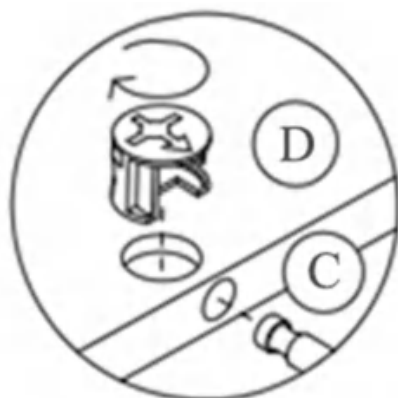
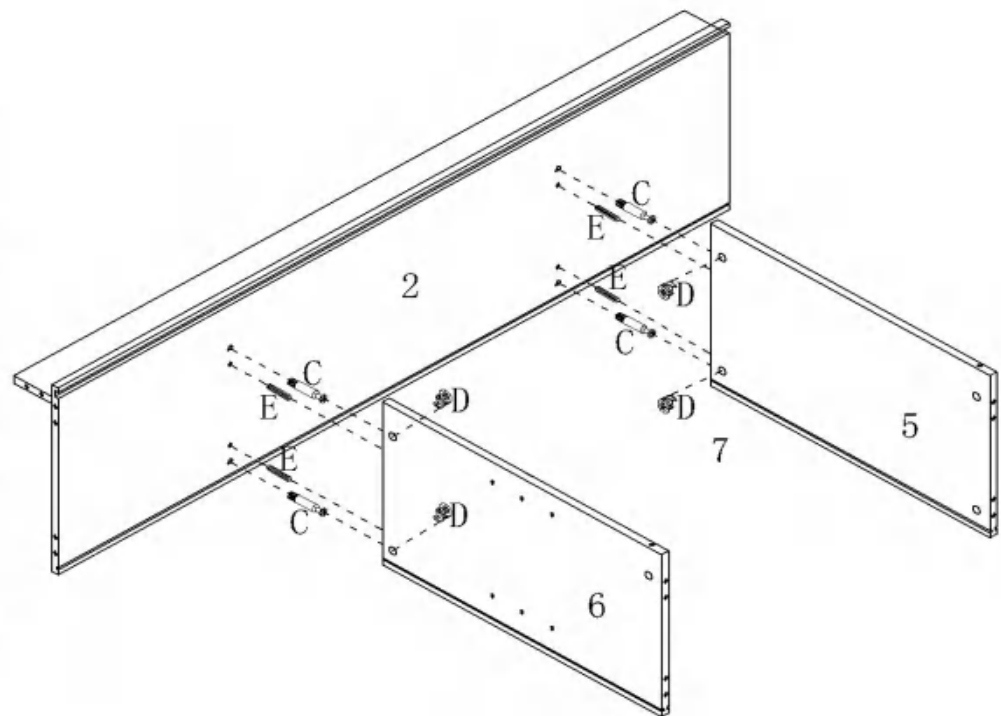
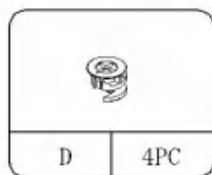
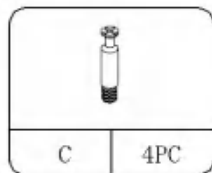
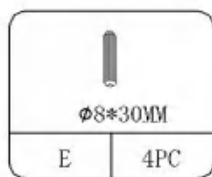


STEP 2

Insert cam bolt (C) to part (2) with screwdriver.

Insert dowel (E) into part (2)

Attach part (5,6) to part (2) through bolt (C) and dowel (E)



Arrow on lock (D) should point in the direction of bolt (C).

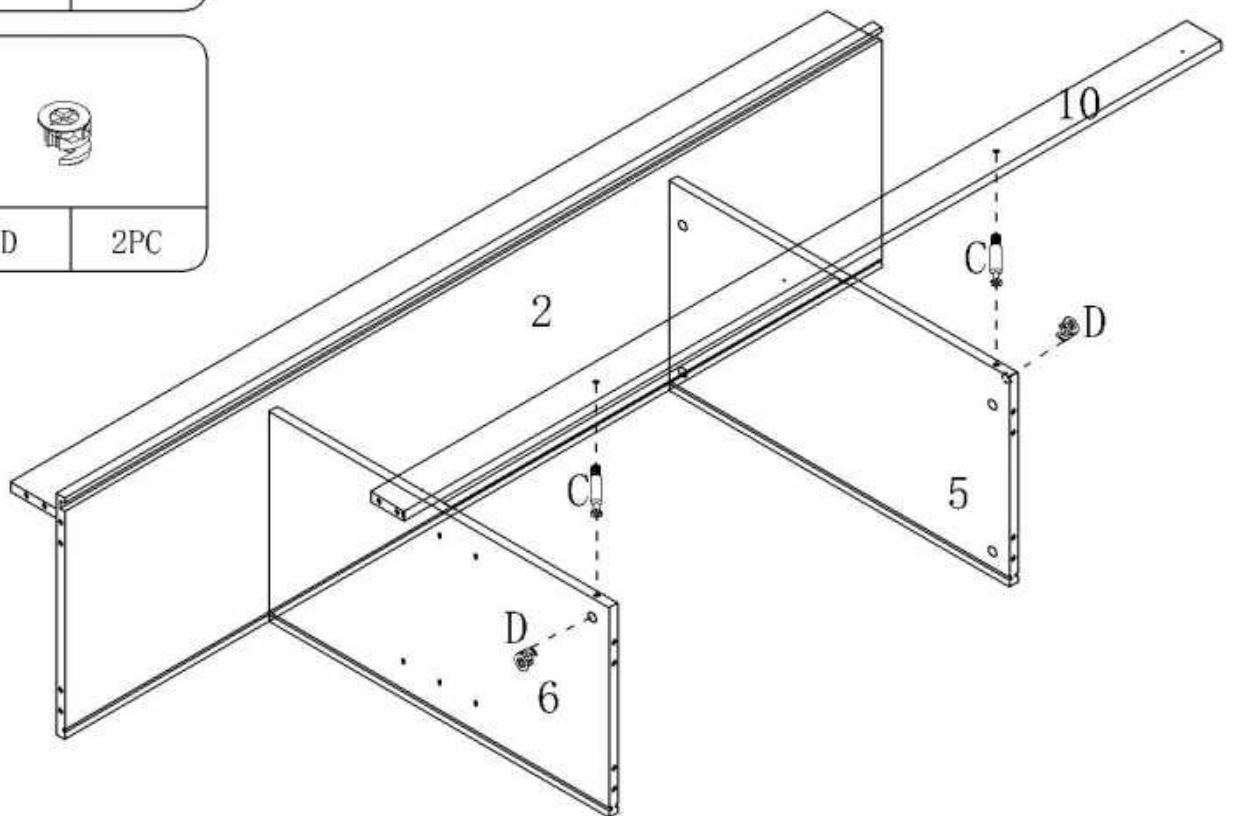
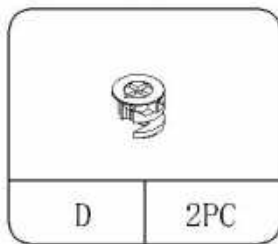
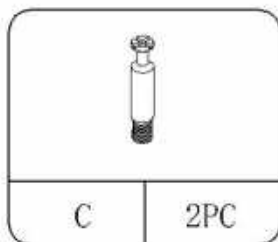
Be careful not to over tighten.

STEP 3

Insert cam bolt (C) to part (10) with screwdriver.

Attach Part (10) to part (5,6) through bolt (C)

Insert and secure cam lock (D) to part (5,6) to lock part (10).



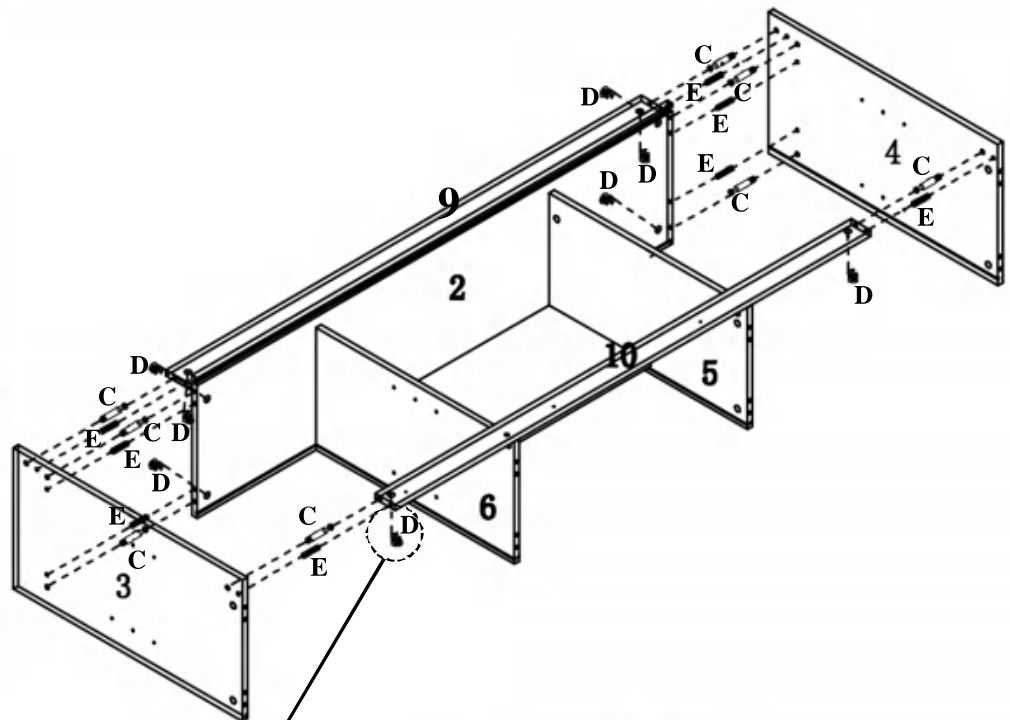
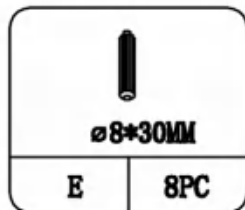
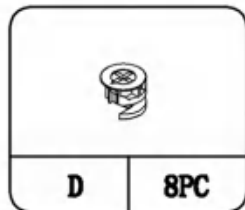
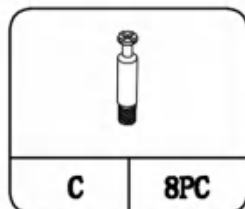
STEP 4

Insert cam bolt (C) to part (3,4) with screwdriver.

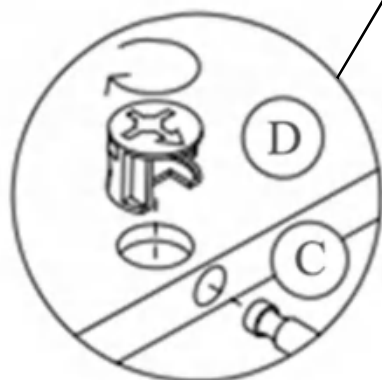
Insert dowel (E) into part (3,4)

Attach part (3,4) to part (2,9,10) through bolt (C) and dowel (E)

Insert and secure cam lock (D) to part (2,9,10) to lock part (3,4).



Arrow on lock (D) should point in the direction of bolt (C).



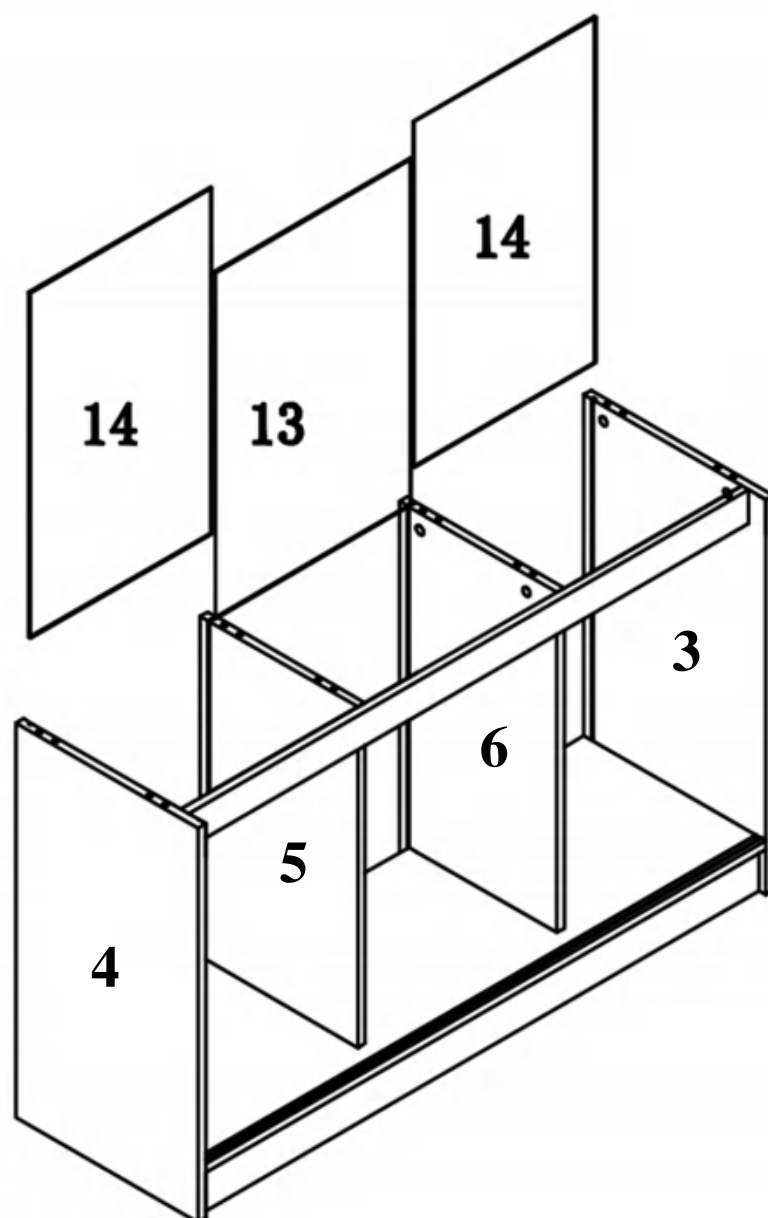
Be careful not to over tighten.

STEP 5

Stand up the whole buffet sideboard

Slide part (13) into grooves of part (5) and part (6) as per diagram.

Slide part (14) into grooves of part (4,5) and part (3,6) as per diagram.



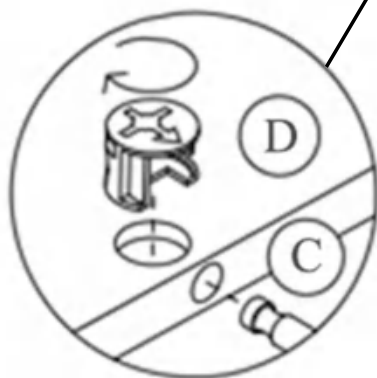
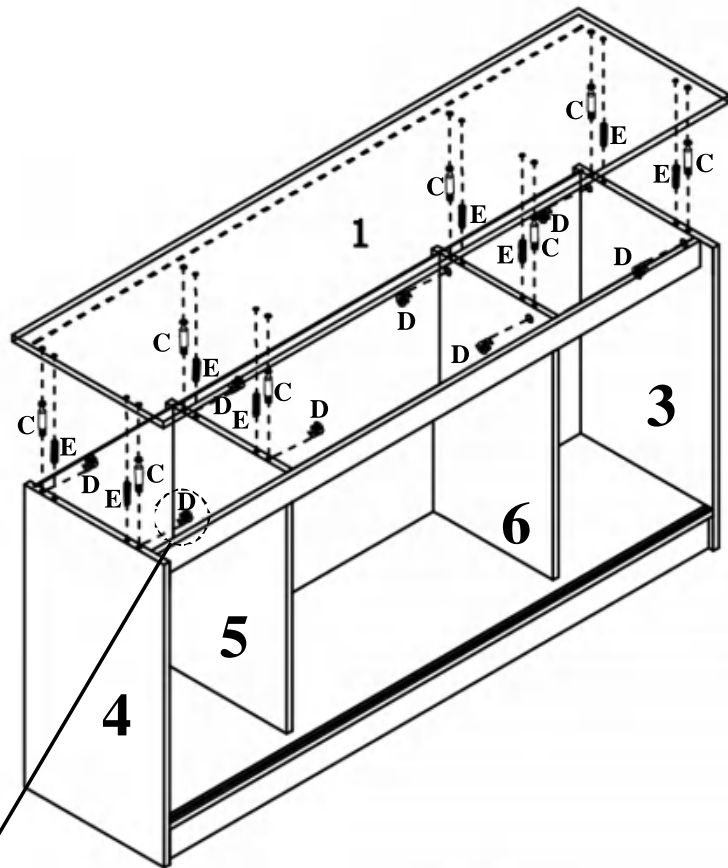
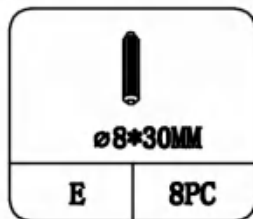
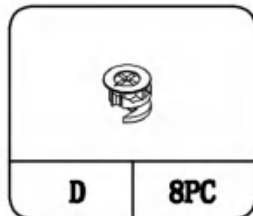
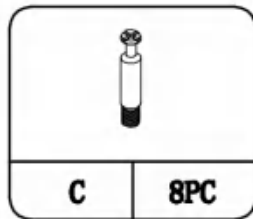
STEP 6

Insert cam bolt (C) to part (1) with screwdriver.

Insert dowel (E) to part (3,4,5,6).

Attach part (1) to part (3,4,5,6) through bolt (C) and dowel (E)

Insert and secure cam lock (D) to part (3,4,5,6) to lock part (1).

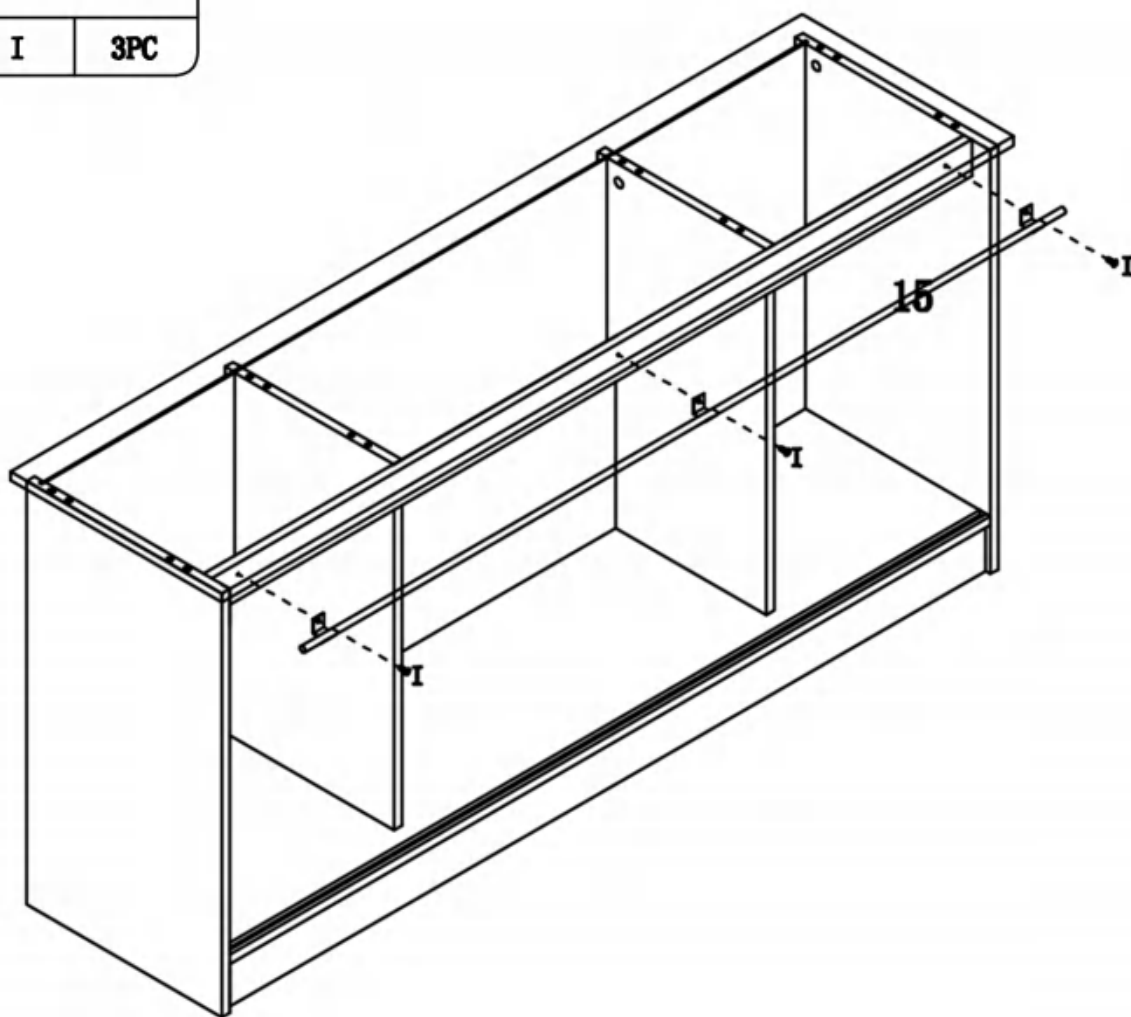


Arrow on lock (D) should point in the direction of bolt (C).

Be careful not to over tighten.

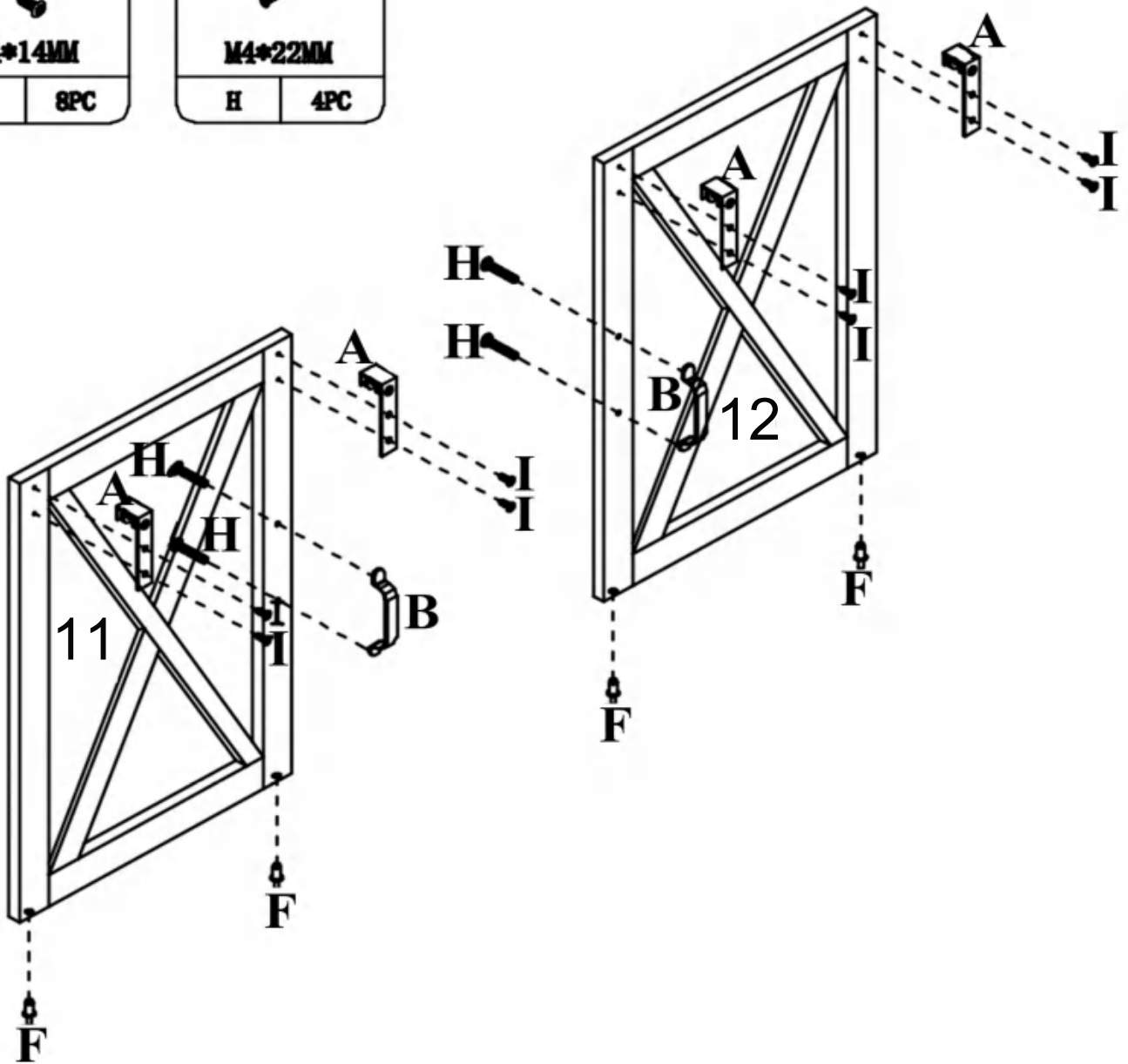
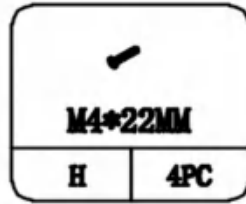
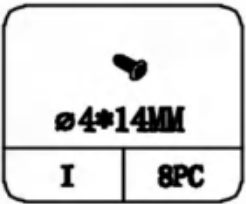
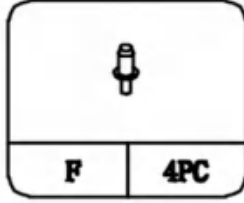
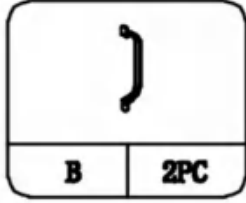
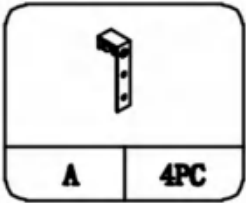
STEP 7

Attach part (15) to using screw (I) with screwdriver.



STEP 8

Attach handle (B) to part (13,14) using screw (H) with screwdriver .
Attach part (A) to part (13,14) using screw (I) with screwdriver.
Install part (F) on bottom of part (13,14).



STEP 9

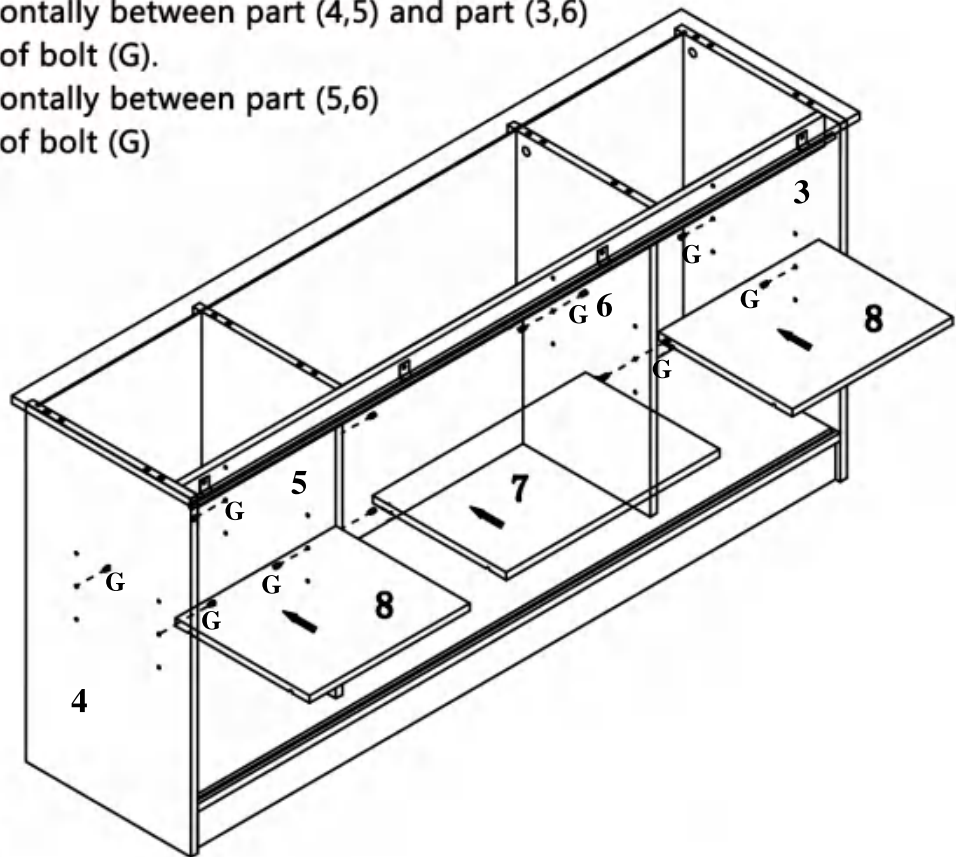
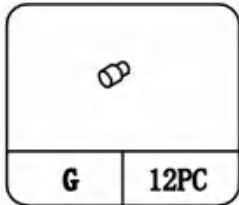
Insert bolt (G) to part (3,4,5,6).

Insert part (8) horizontally between part (4,5) and part (3,6)

Put part (8) on top of bolt (G).

Insert part (7) horizontally between part (5,6)

Put part (7) on top of bolt (G)



STEP 10

Hang part (11,12) on top of part(15) through part (A).

Insert part (F) stuck in the groove of part (2) as per diagram.

