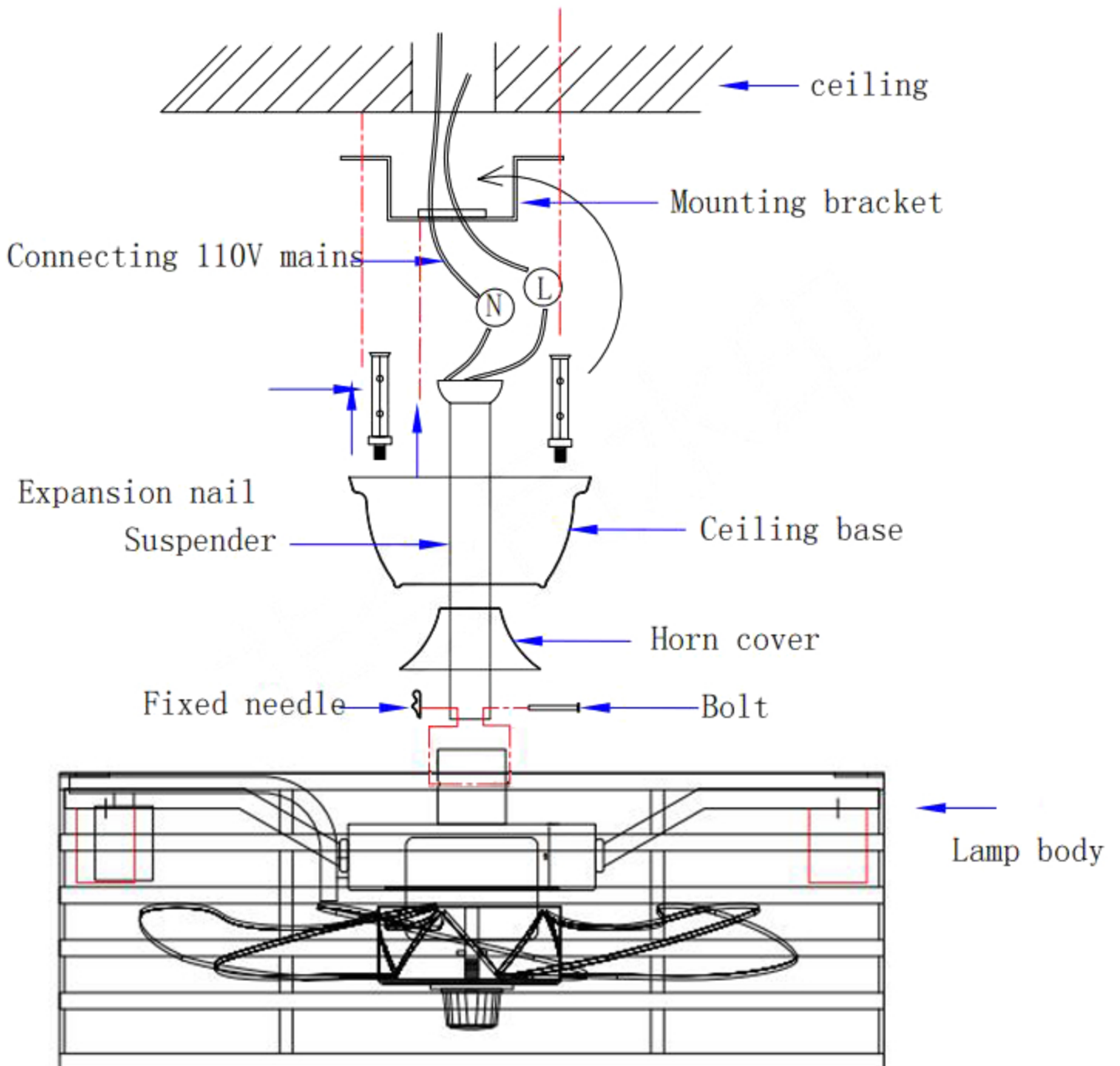


# installation diagram



The pictures in the manual are for reference only