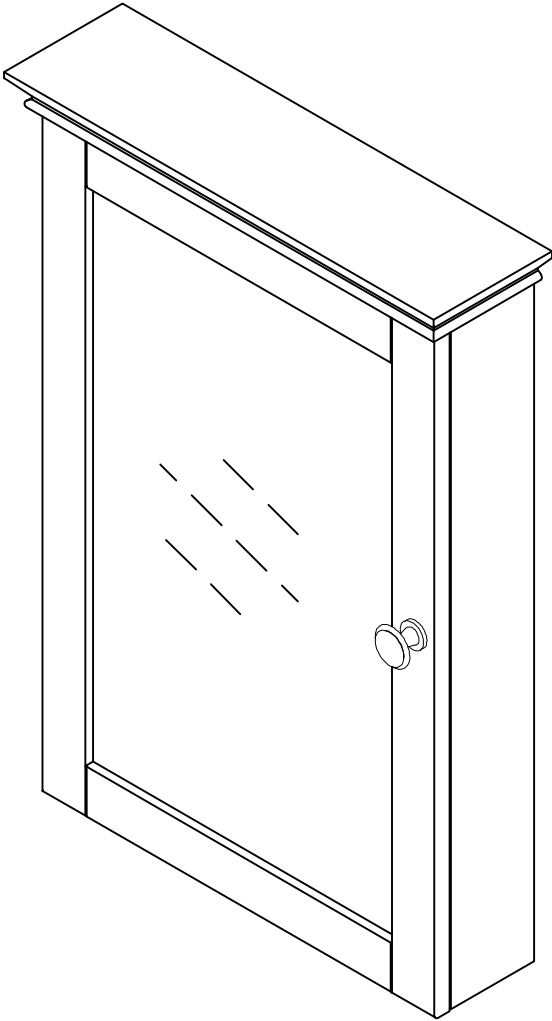


Mirrored Bathroom Wall Cabinet



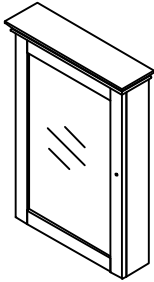
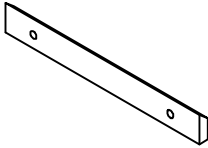
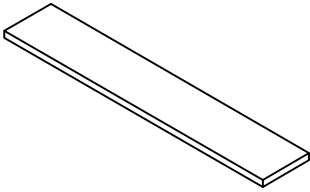
Congratulations! You have purchased a stylish piece of us.

We strive to provide fine furniture products, built with quality materials and hand finished details. Please carefully follow the assembly instructions to ensure your furniture is assembled correctly to provide long lasting enjoyment.

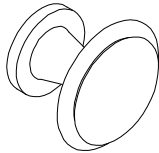
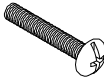
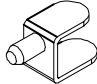

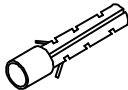
Should you experience any missing or damaged parts, **do not return to the store.**

Care: Use a soft clean cloth that will not scratch the surface when dusting. Use of furniture polish is not necessary. Should you choose to use polishes, test in an inconspicuous area first. Use of solvents of any kind may damage your furniture's finish. To clean, simply use a soft clean cloth moistened with lukewarm water, then buff with a dry soft clean cloth.

PART LIST

					
Framed Mirror		Support Plate		Adjustable shelf	
1	1pc	2	1pc	3	3pcs

HARDWARE LIST

					
Knob Ø29*27mm		Round Head Bolt Ø5/32"*19mm		Shelf Support Ø6.5mm	
A	1pc	B	1pc	C	12pcs
					
Long Screw Ø4*57mm		Wall Anchor Ø8*38mm			
D	4pcs	E	4pcs		

EXTRA HARDWARE LIST



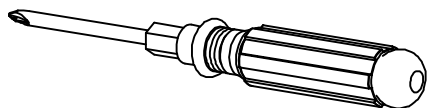
C X 1



D X 1

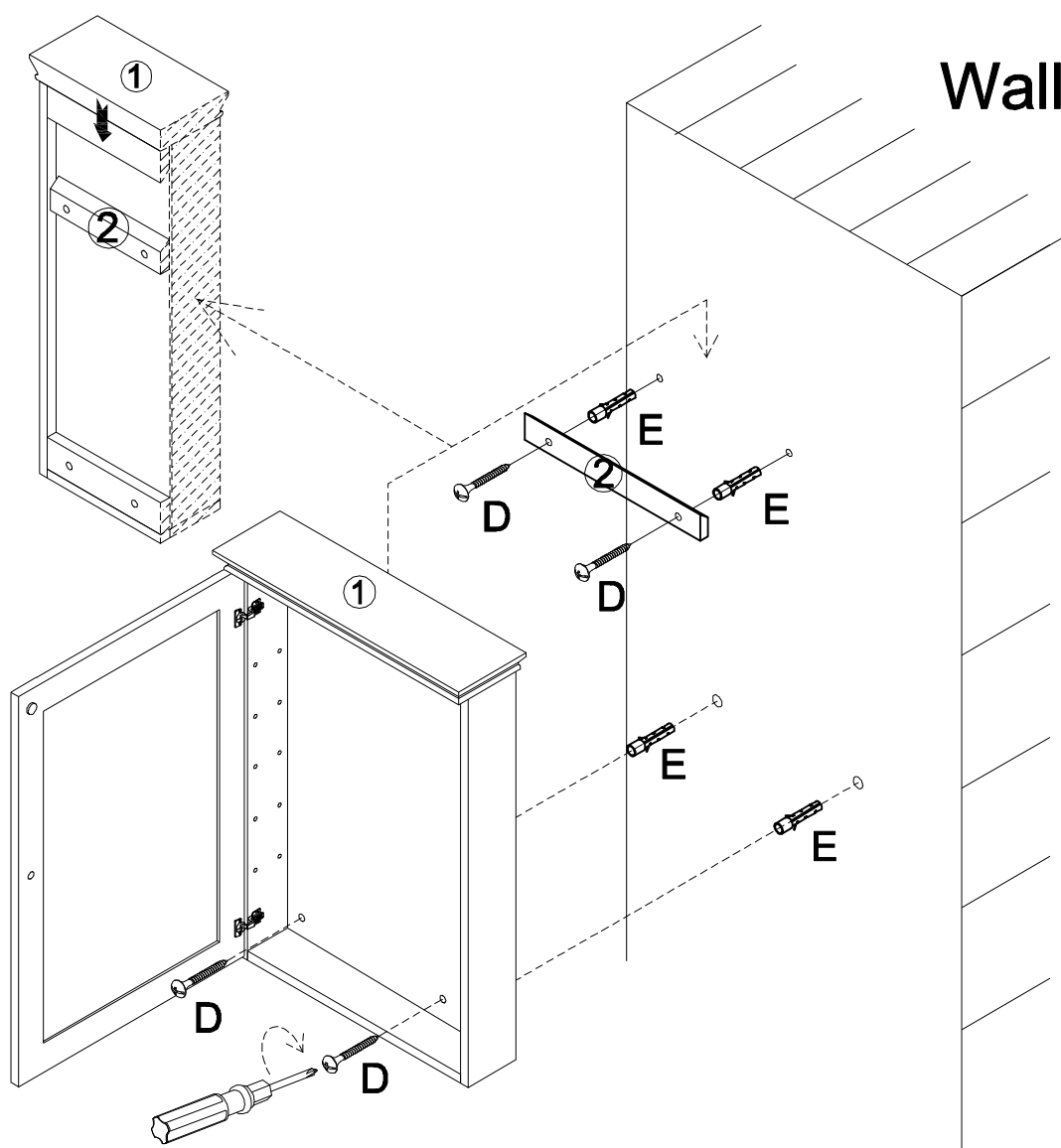
ADDITIONAL TOOLS (Not Provided)

Note: It is not recommended to use power tools during assembly. You may use power tools to assist in mounting the safety strap kit to the wall.

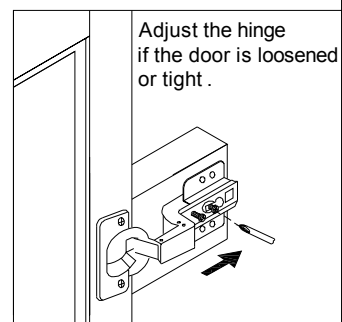
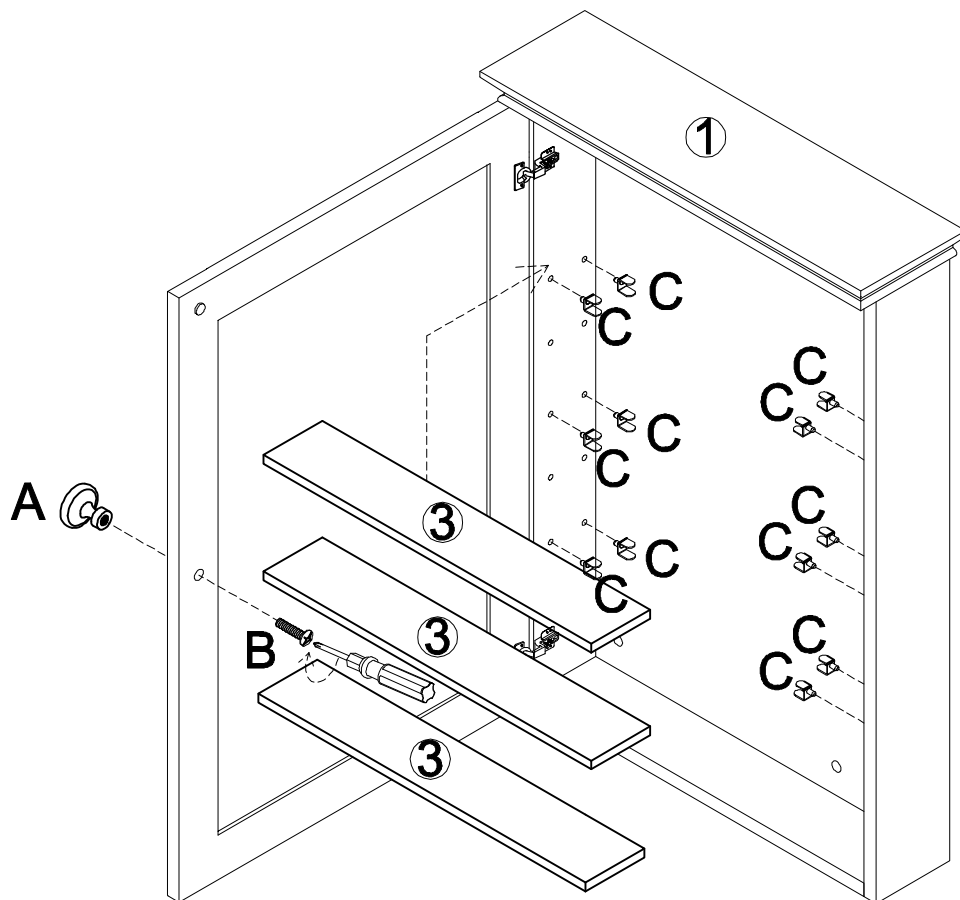





Phillips Head Screw Driver

- Step 1.** Hold the Support Plate (2) in the desired location of the wall unit. This plate will be about 2-1/2" lower than the top of the wall unit. Making sure the Support Plate (2) is level, use a pencil to mark the anchor locations using the Support Plate (2) screw holes as a guide. We recommend using a leveler to make sure the Support Plate (2) is oriented correctly.
- Drill two 1 1/32" holes in these marked spots and tap the Wall Anchors (E) into the drilled holes. Secure the Support Plate (2) to the Wall Anchors (E) with Screws (D). See Image.
 - Mount the completed unit onto the Support Plate (2). The back of the unit has a recessed area that will hook on to the Support Plate (2). Use a pencil to mark the 2nd set of anchor locations using the holes in the wall unit as a guide. See Image.
 - Remove the wall unit and drill two 1 1/32" holes at the pencil marks, and tap the Wall Anchors (E) into the holes.
 - Remount the wall unit and secure it to the Wall Anchors (E) with Screws (D). See image.



Step 2. Insert Shelf Supports (C) into predrilled holes at desired shelf heights. Insert Adjustable Shelves (3) into Shelf Supports (C) .
Attach Knob (A) to cabinet door using Round Head Bolt (B) .



 C x 12	 B x 1	 A x 1
---	--	--

Limited Manufacturer Warranty

Our Products are warranted against defects in material and workmanship for a period of 90 days beginning from the date of sale. Should any parts be missing or defective, we will replace or repair the parts for a period of 90 days from the date of purchase.

Should you experience any missing or damaged parts, do not return to the store. Please contact us.

This warranty gives the purchaser specified legal rights in addition to any rights which may vary from state to state.

In accordance with the "Moss-Magnuson Warranty Act" of July 10, 1975, this is termed a "limited warranty" which in no way compromises our high standards of Quality and Workmanship.