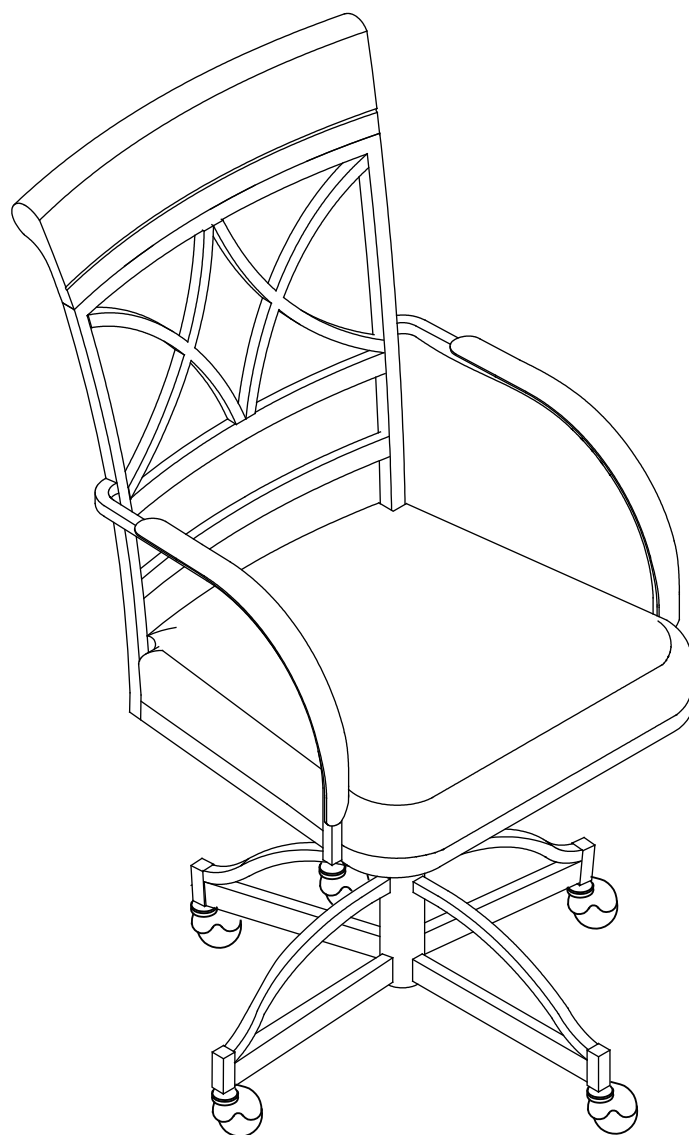


---

**SWIVEL ARM CHAIR  
FAUTEUIL PIVOTANT  
SILLÓN GIRATORIO**



---

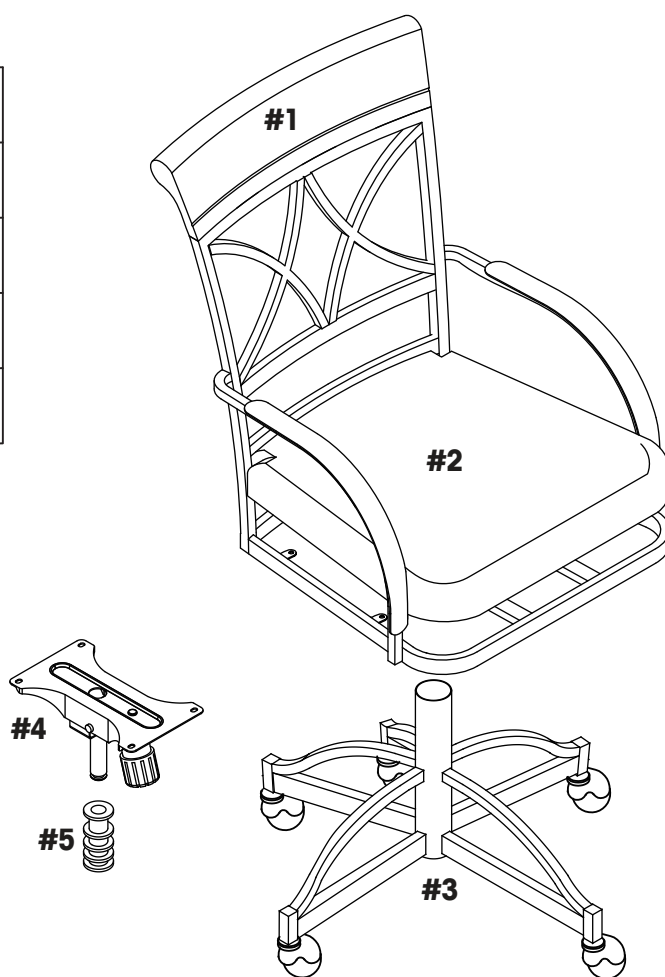
**We are here to help!**  
**Before you return it - contact us.**

**Nous sommes là pour vous aider!**  
**Avant de retourner le produit, veuillez communiquer avec nous.**





**¡Estamos aquí para ayudarle!**  
**Antes de regresar el producto, comuníquese con nosotros.**

## PART LIST

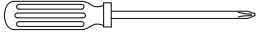

|    |                  |    |
|----|------------------|----|
| #1 | SEAT FRAME       | 01 |
| #2 | CUSHION          | 01 |
| #3 | BASE             | 01 |
| #4 | METAL SEAT PLATE | 01 |
| #5 | BUSHING          | 01 |



## HARDWARE LIST

|   |                      |   |    |
|---|----------------------|---|----|
| A | BOLT (Ø1/4" x 5/8")  |  | 04 |
| B | SPRING WASHER        |  | 04 |
| C | FLAT WASHER          |  | 04 |
| D | SCREW (Ø1/8" x 3/4") |  | 04 |

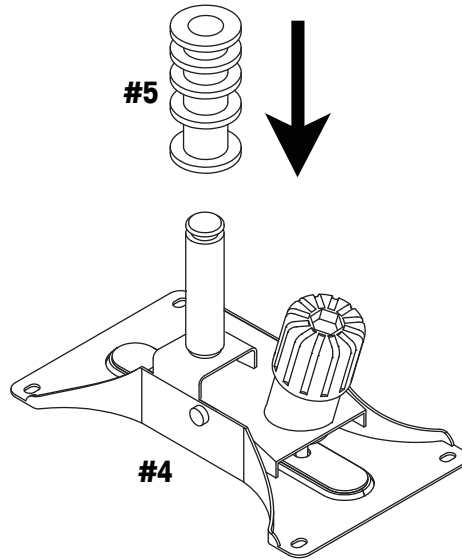
## TOOLS REQUIRED

|                     |  |              |
|---------------------|--|--------------|
| PHILIPS SCREWDRIVER |  | NOT SUPPLIED |
| ALLEN KEY           |   | SUPPLIED     |

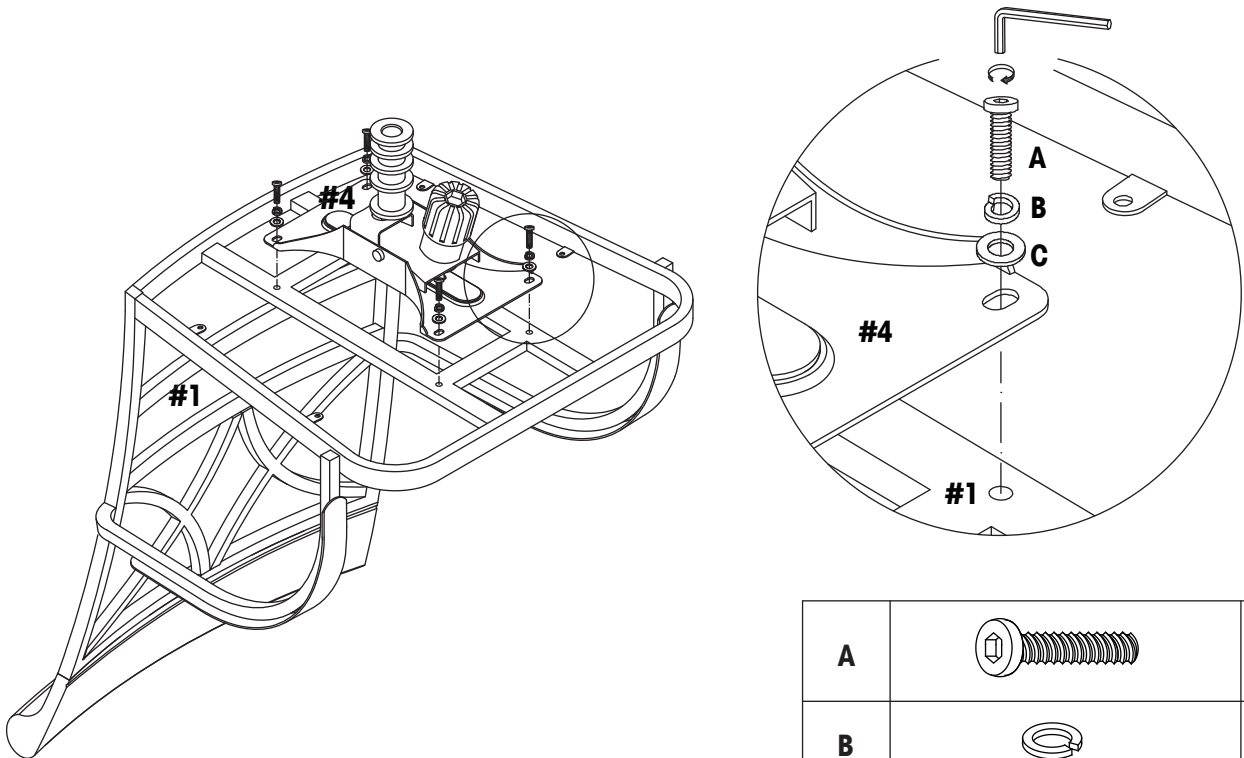
### IMPORTANT:

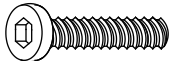


1. Do not tighten bolts completely until all bolts are completely lined up and inserted into holes / nuts.
2. Do not over tighten screws and bolts to avoid stripping.
3. Please use hand tools to assemble this product. Do not use power tools.

1.

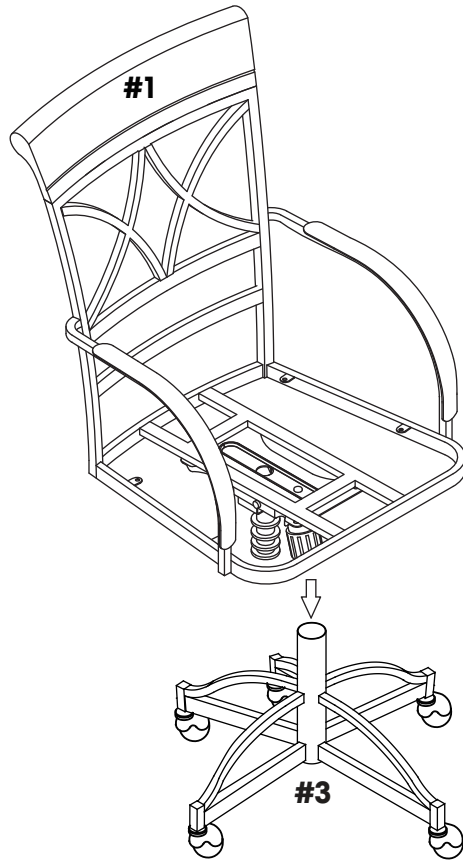


2.

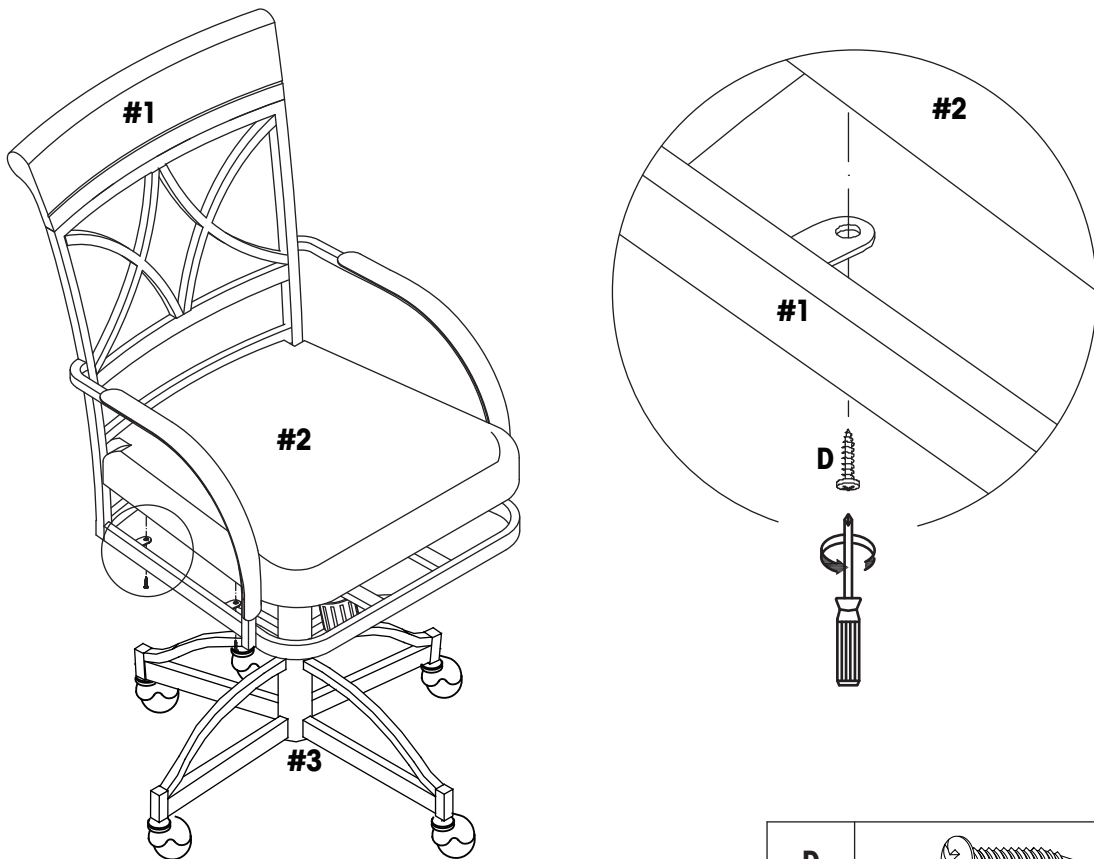



|   |   |    |
|---|---|----|
| A |  | 04 |
| B |  | 04 |
| C |  | 04 |

3.

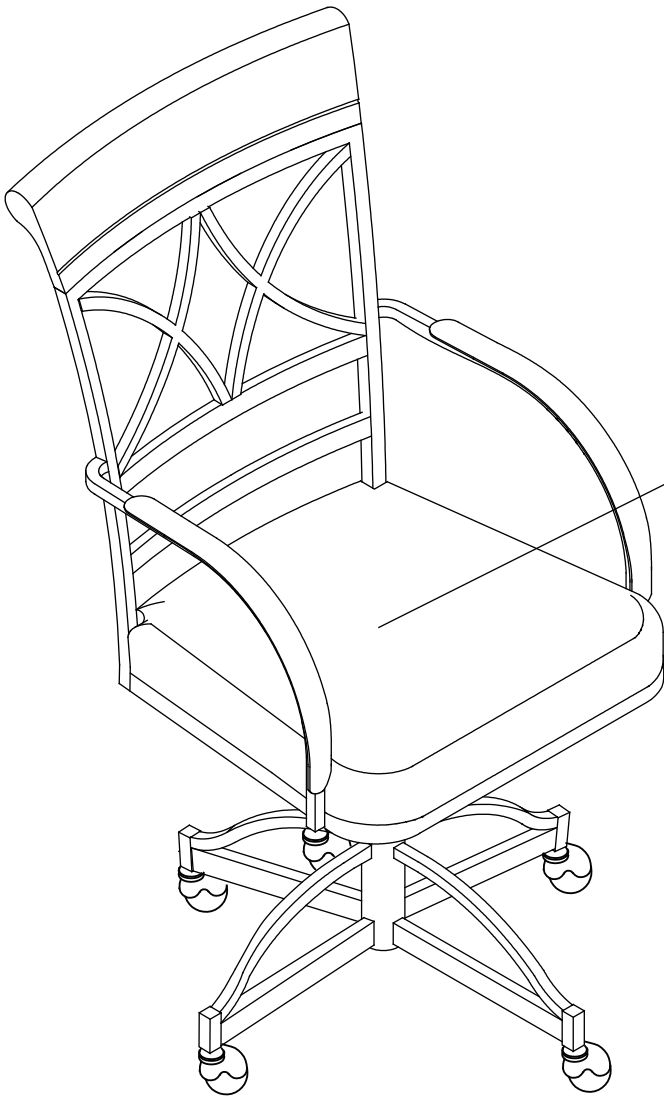


4.



|   |   |    |
|---|---|----|
| D |  | 04 |
|---|---|----|

**5.**



Maximum Weight 275 lbs  
Poids maximum: 275 lb (124.7 kg)  
Peso máximo: 275 lb (124.7 kg)

---

**WARRANTY**

**GARANTIE**

**GARANTÍA**

MADE IN CHINA  
FABRIQUÉ EN CHINE  
HECHO EN CHINA

