

# Assembly Instructions

## Arm Bench

Important safety instructions:

- Thanks for your purchasing this product, please read carefully instruction before assembly.

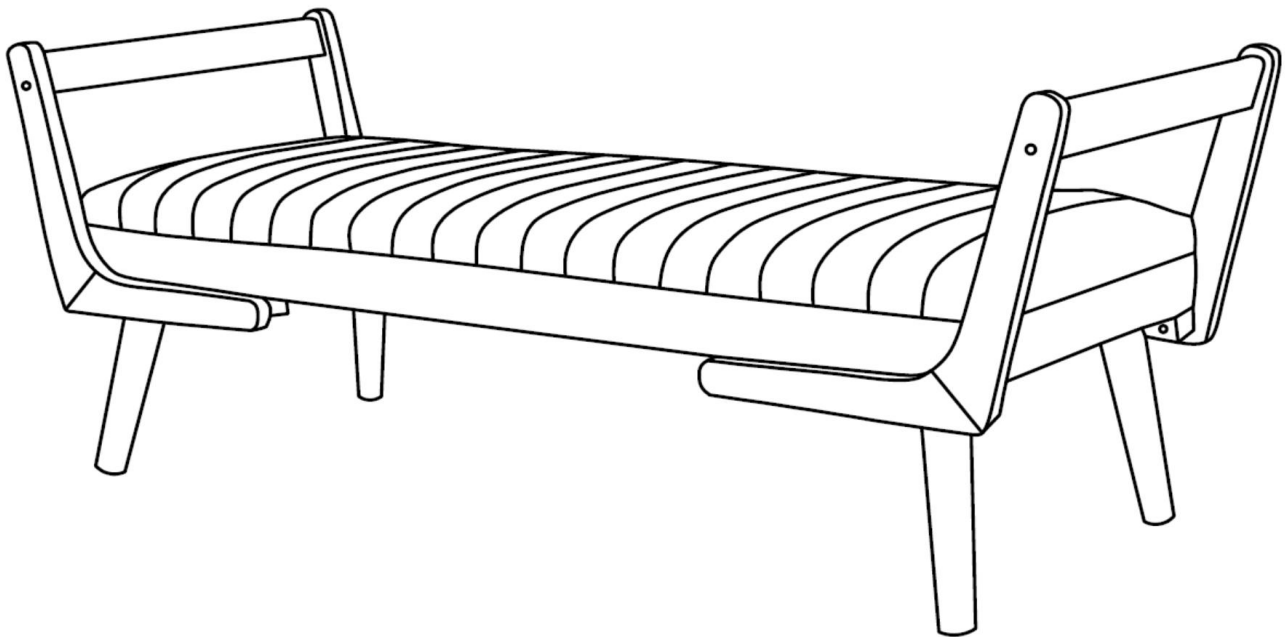
- For your safety and ease, assembly by two or more adults is recommended.

Keep instructions for future use.

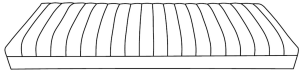
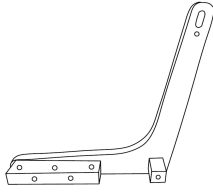
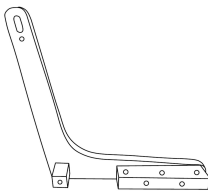
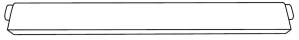

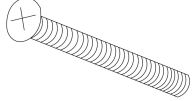
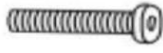


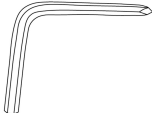
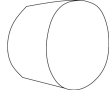
Pre-assembly:

- Do not discard any content until assembly is complete to avoid accident tally discarding parts or hardware.

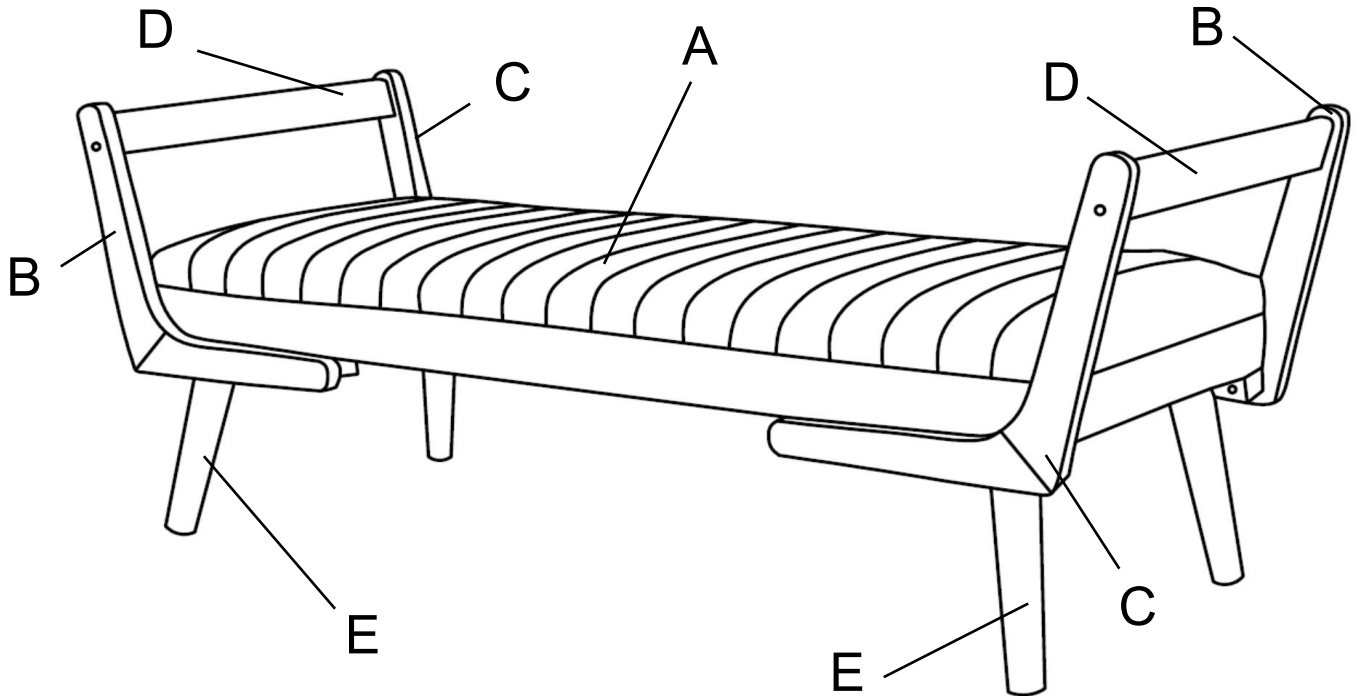
- Take out all parts and hardware from box and place them on a clean, soft and smooth surface.



# Parts List

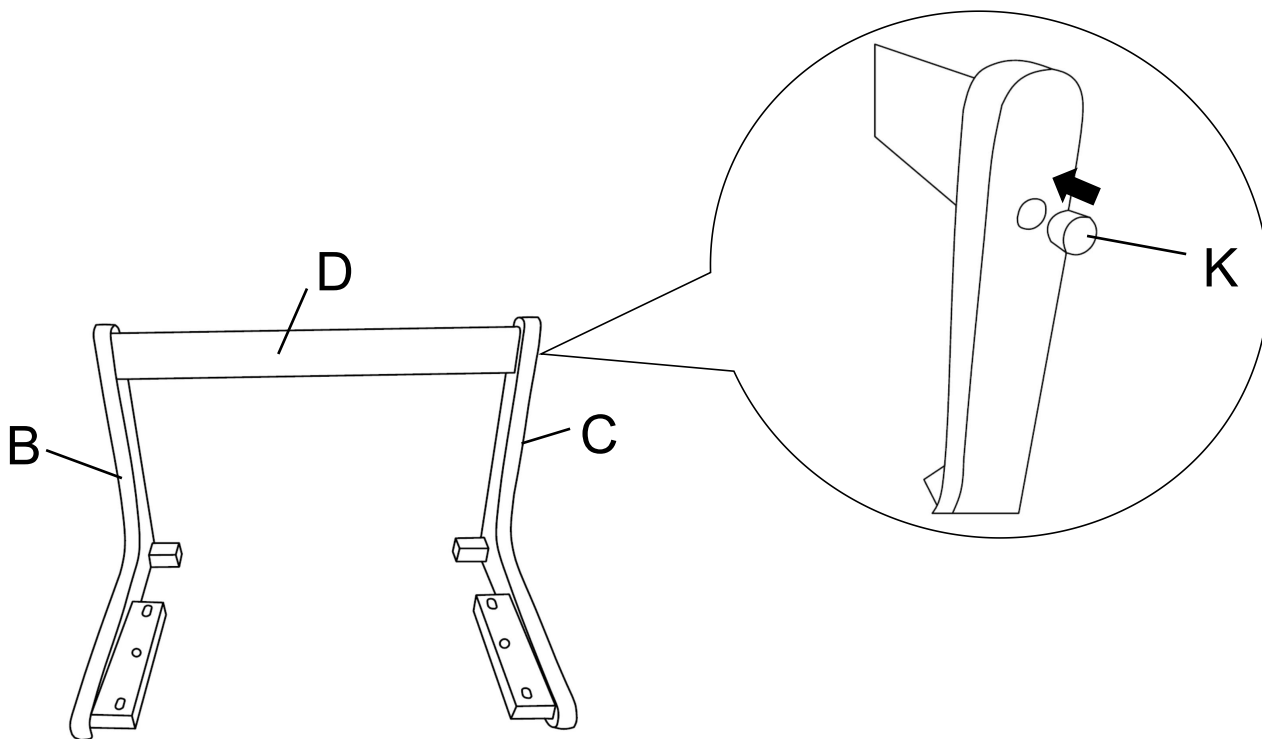
Ax1 	Bx2 	Cx2 	Dx2 
OTTOMAN BODY	ARM LEFT PIECE	ARM RIGHT PIECE	ARM PANEL
Ex4 	Fx4 	Gx12 	Hx12 
LEG	BOLT M6*30mm	BOLT M8*50mm	SPRING WASHER
Ix12 	Jx1 	Kx4 	
WASHER	ALLEN WRENCH	PLUG	

## OVERVIEW:

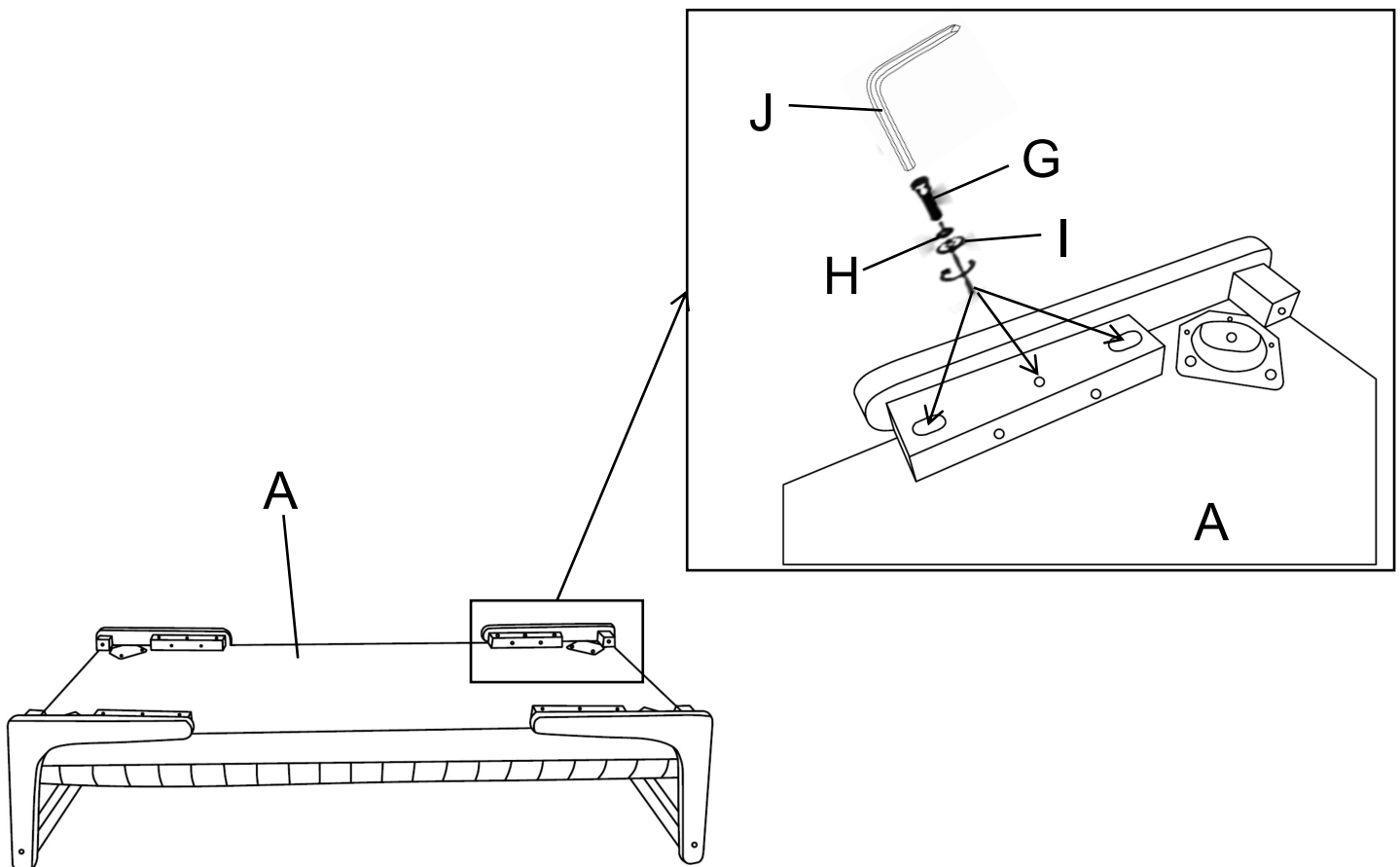




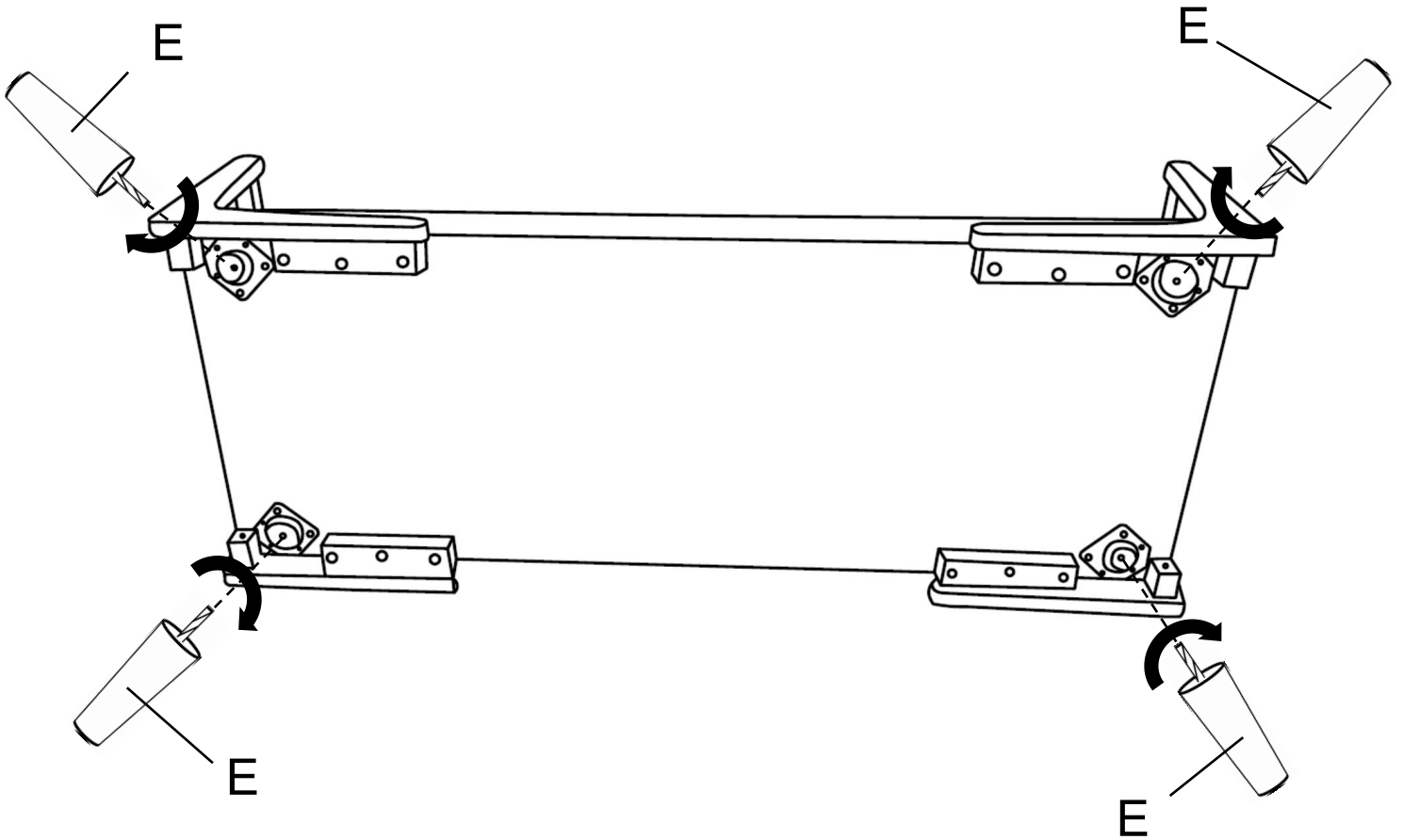
Step 3: Insert the **Plug(K)** to the assembled hole on both Arms



Step 4: Put the **Ottoman Body(A)** on a clean and flat surface and face down. and then put the assembled arms on the bottom of **Ottoman Body(A)** then connect them with **Bolts(G)** and **Spring Washer(H)** and **Washer(I)** and **Allen Wrench(J)**. Like Picture shows below



Step 5: Assemble the Legs to the Ottoman Body.



Step 6: Your Arm Bench has been assembled complete, **Enjoy It!**

