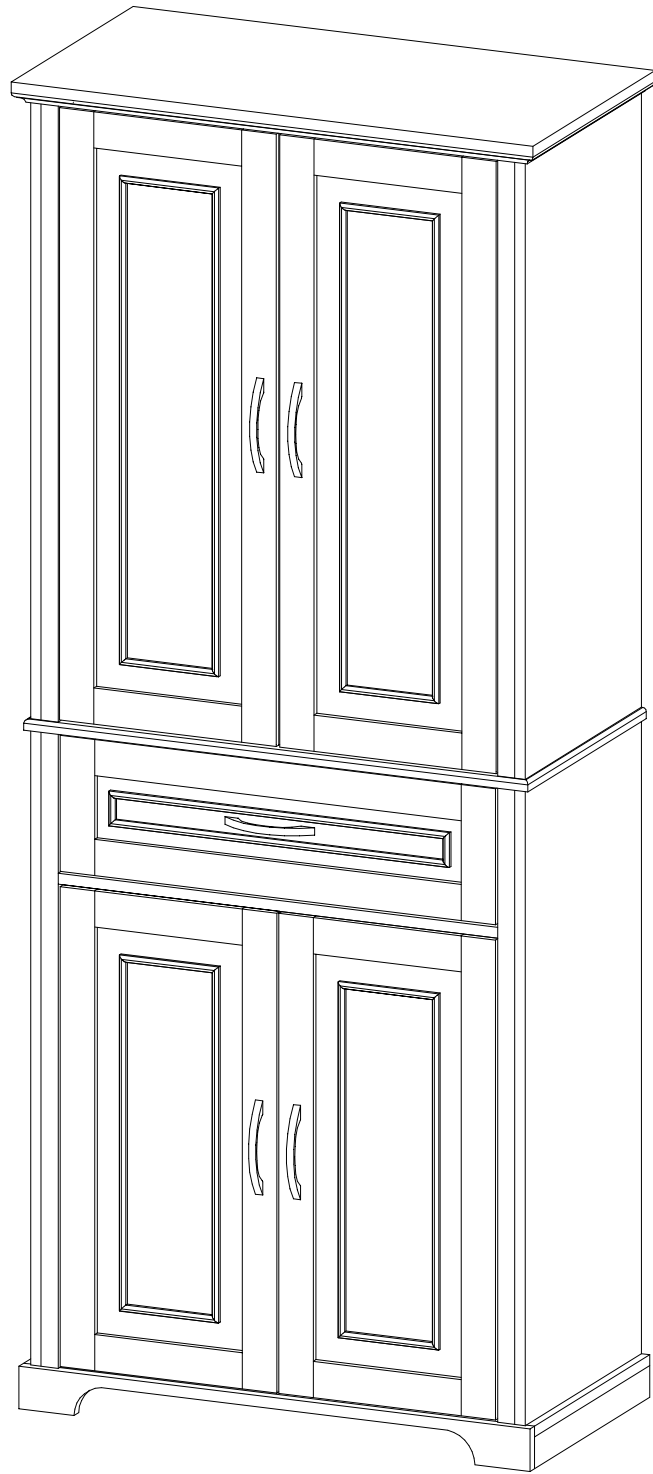
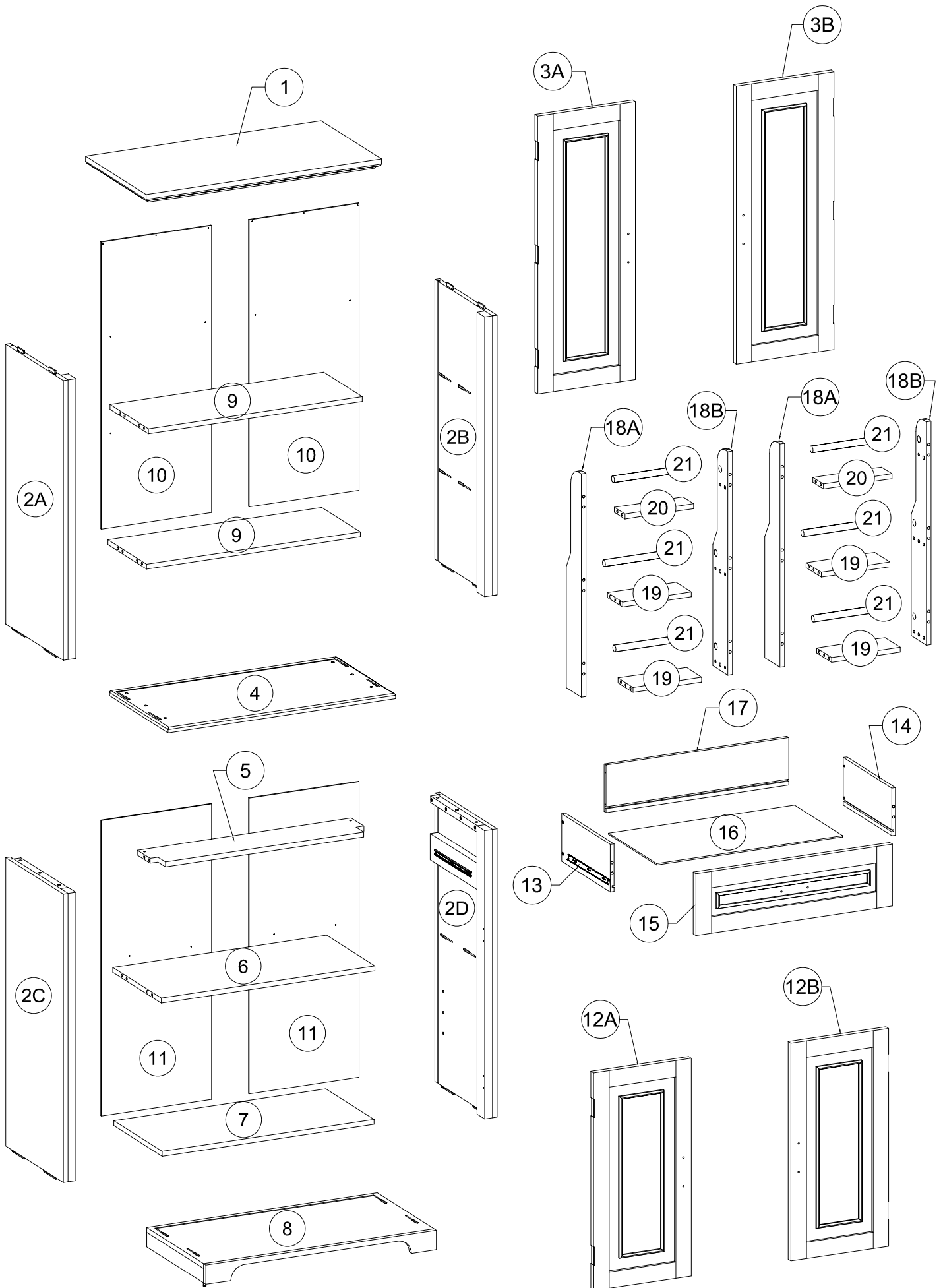


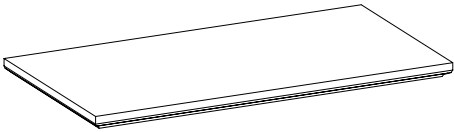
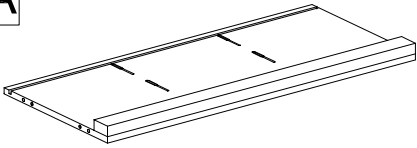
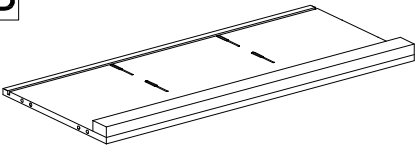
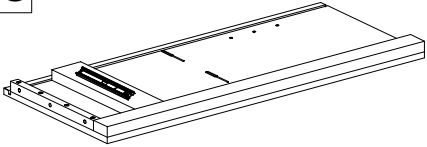
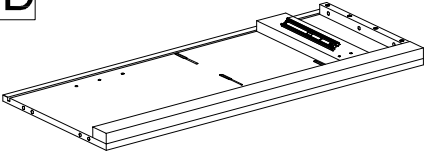
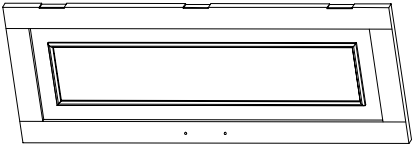
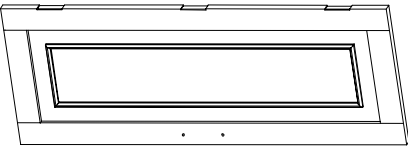
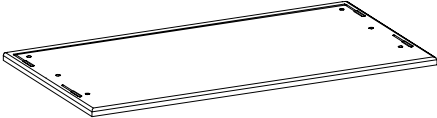
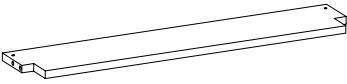
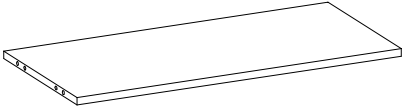
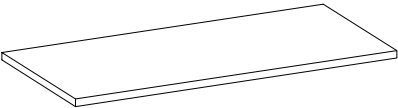
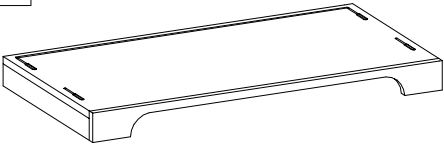
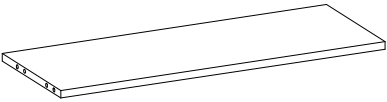
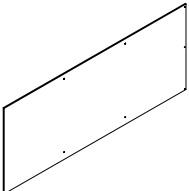
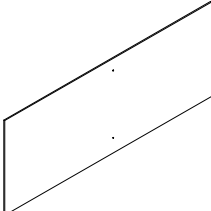
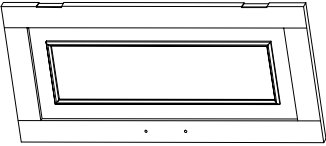
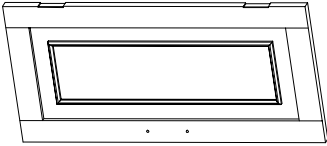
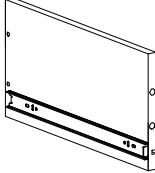
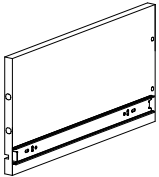
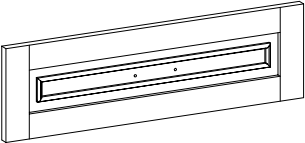
ASSEMBLY INSTRUCTION



ASSEMBLY INSTRUCTION

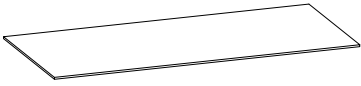


Part List

<p>1</p>  <p>The Top Of The Cabinet - 1pc</p>	<p>2A</p>  <p>Side Edge Of Cabinet - 1pc</p>	<p>2B</p>  <p>Side Edge Of Cabinet - 1pc</p>
<p>2C</p>  <p>Side Edge Of Cabinet - 1pc</p>	<p>2D</p>  <p>Side Edge Of Cabinet - 1pc</p>	<p>3A</p>  <p>Cabinet Doors - 1pc</p>
<p>3B</p>  <p>Cabinet Doors - 1pc</p>	<p>4</p>  <p>Cabinet Divider Shelf - 1pc</p>	<p>5</p>  <p>Cross Bar - 1pc</p>
<p>6</p>  <p>Fixed Shelef - 1pc</p>	<p>7</p>  <p>Adjustable Shelf - 1pc</p>	<p>8</p>  <p>Cabinet Bottom - 1pc</p>
<p>9</p>  <p>Fixed Shelves - 2pcs</p>	<p>10</p>  <p>Cabinet Back - 2pcs</p>	<p>11</p>  <p>Cabinet Back - 2pcs</p>
<p>12A</p>  <p>Cabinet Doors - 1pc</p>	<p>12B</p>  <p>Cabinet Doors - 1pc</p>	<p>13</p>  <p>Drawer- Side Panels - 1pc</p>
<p>14</p>  <p>Drawer- Side Panels - 1pc</p>	<p>15</p>  <p>Drawer- Front Panels - 1pc</p>	

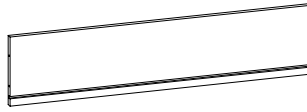
Part List

16



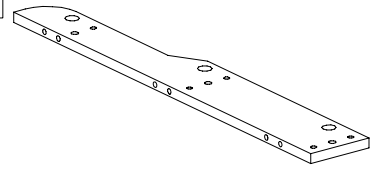
Drawer- Bottom Panels - 1pc

17



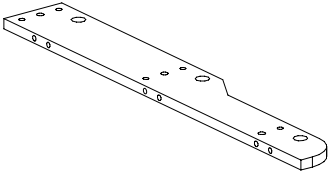
Drawer- Back Panels - 1pc

18A



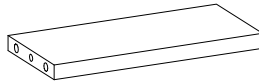
Standing Bar Shelf - 2pcs

18B



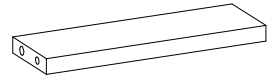
Standing Bar Shelf - 2pcs

19



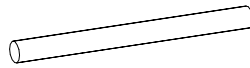
Fixed Shelves - 4pcs

20



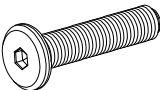

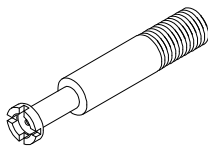
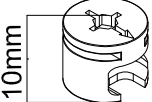
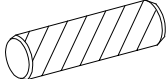
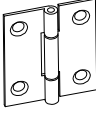


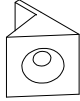


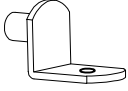

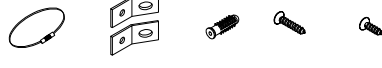
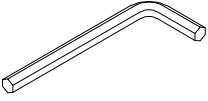


Fixed Shelves - 2pcs

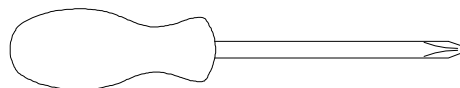
21



Round Bar Shelf - 6pcs

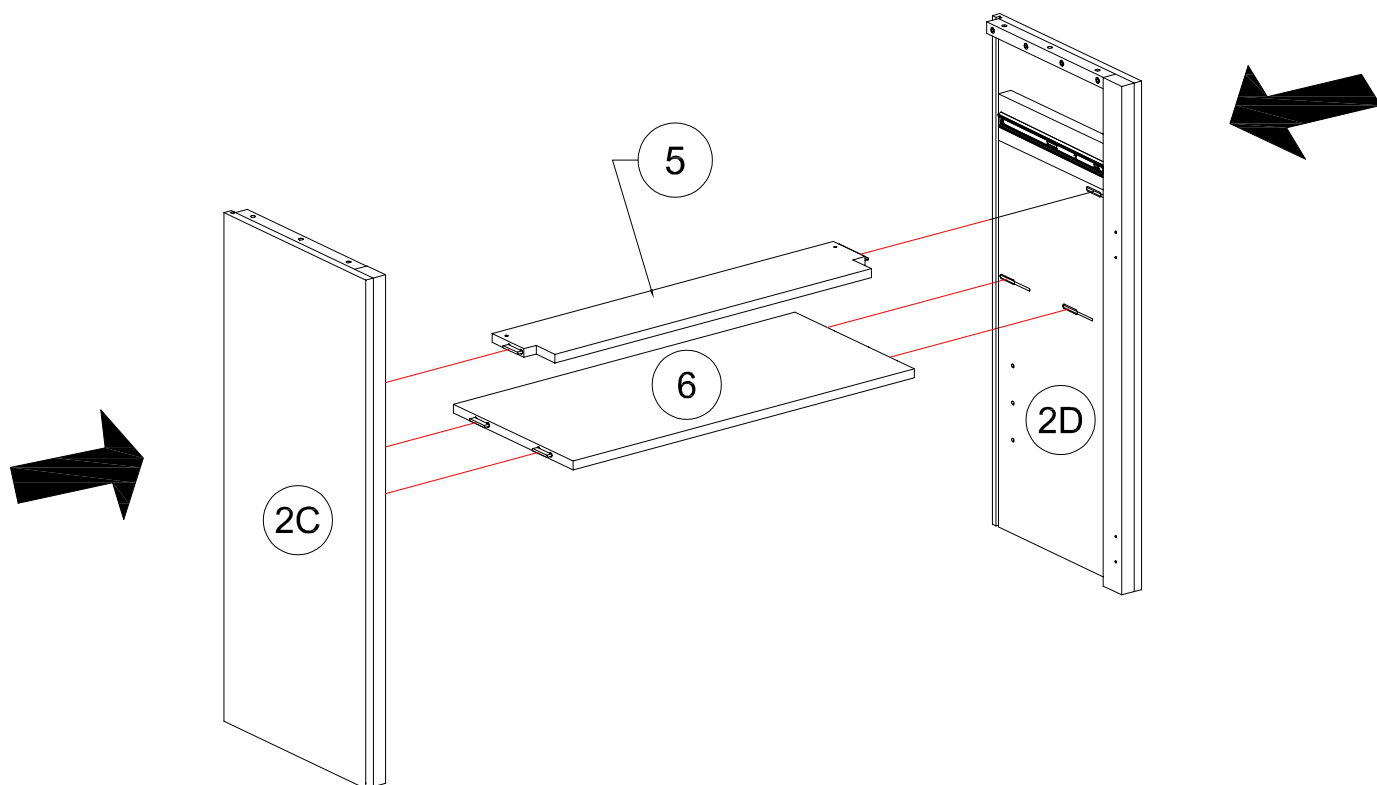
Hardware List

<p>A</p>  <p>1/4" x 30 mm Hex-Head bolts 6pcs</p>	<p>B</p>  <p>M3.5 x 15 mm Wood Screws 42pcs</p>	<p>C</p>  <p>Link 1 - 12 pcs</p>
<p>D</p>  <p>Link 2 - 12 pcs</p>	<p>E</p>  <p>Ø8 x 30 mm Wood dowel 20pcs</p>	<p>F</p>  <p>Hinge 10pcs</p>
<p>G</p>  <p>M3.5 x 15mm Wood Screws 48pcs</p>	<p>H</p>  <p>M3.5 x 10 mm Wood Screws 4pcs</p>	<p>I</p>  <p>Plastic Wedges 16pcs</p>
<p>J</p>  <p>M4 x 18mm Truss Head Wood Screws 8pcs</p>	<p>K</p>  <p>Cabinet Door 5pcs</p>	<p>L</p>  <p>Support Pin (9mm) 4pcs</p>
<p>M</p>  <p>M4 x 30 mm Wood Screws 6pcs</p>	<p>N</p>  <p>1 2 3 4 5 Antifall 2 set</p>	<p>P</p>  <p>Allen Key 1 pc</p>
<p>Q</p>  <p>1 2 Magnets 4 set</p>	<p>Z</p>  <p>M4 x 12mm Truss Head Wood Screws 2pcs</p>	



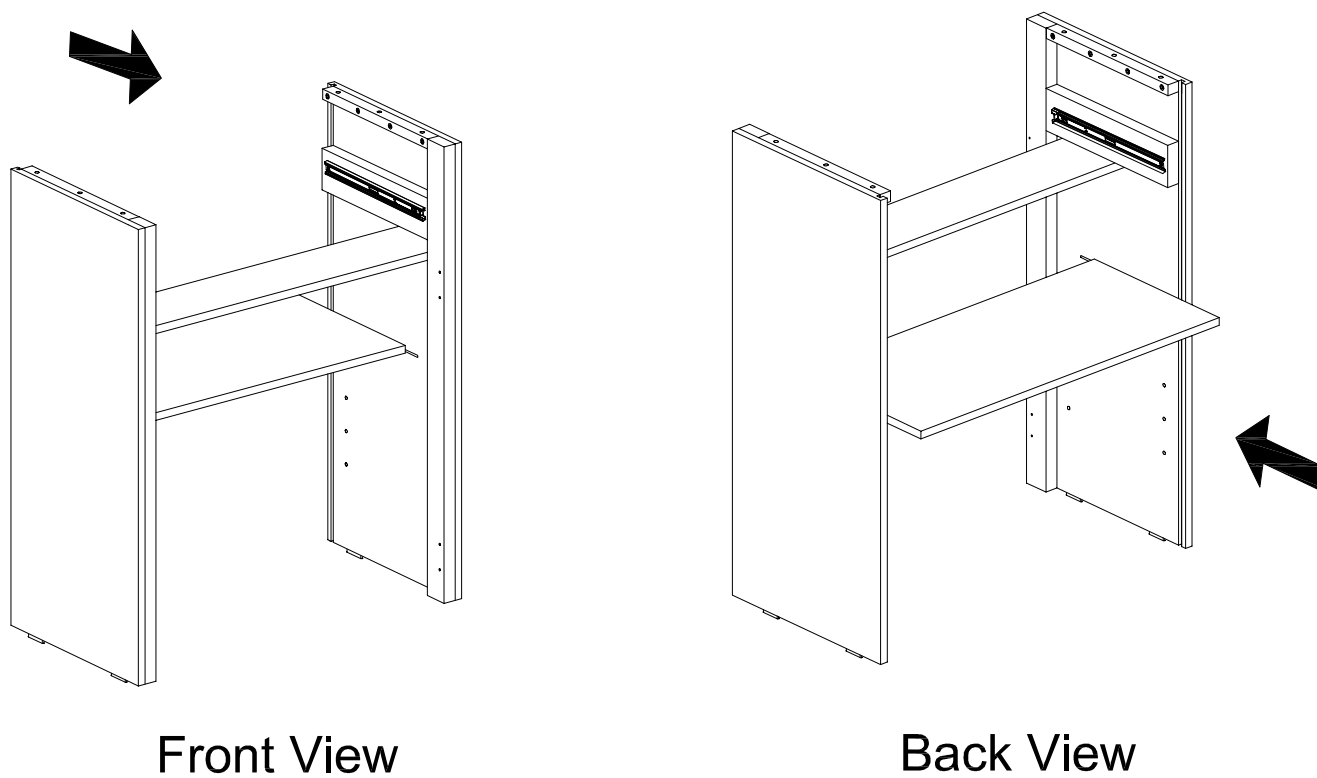
Assembly Tools Required (Not Included)

STEP 1.1: Following below illustration:

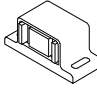




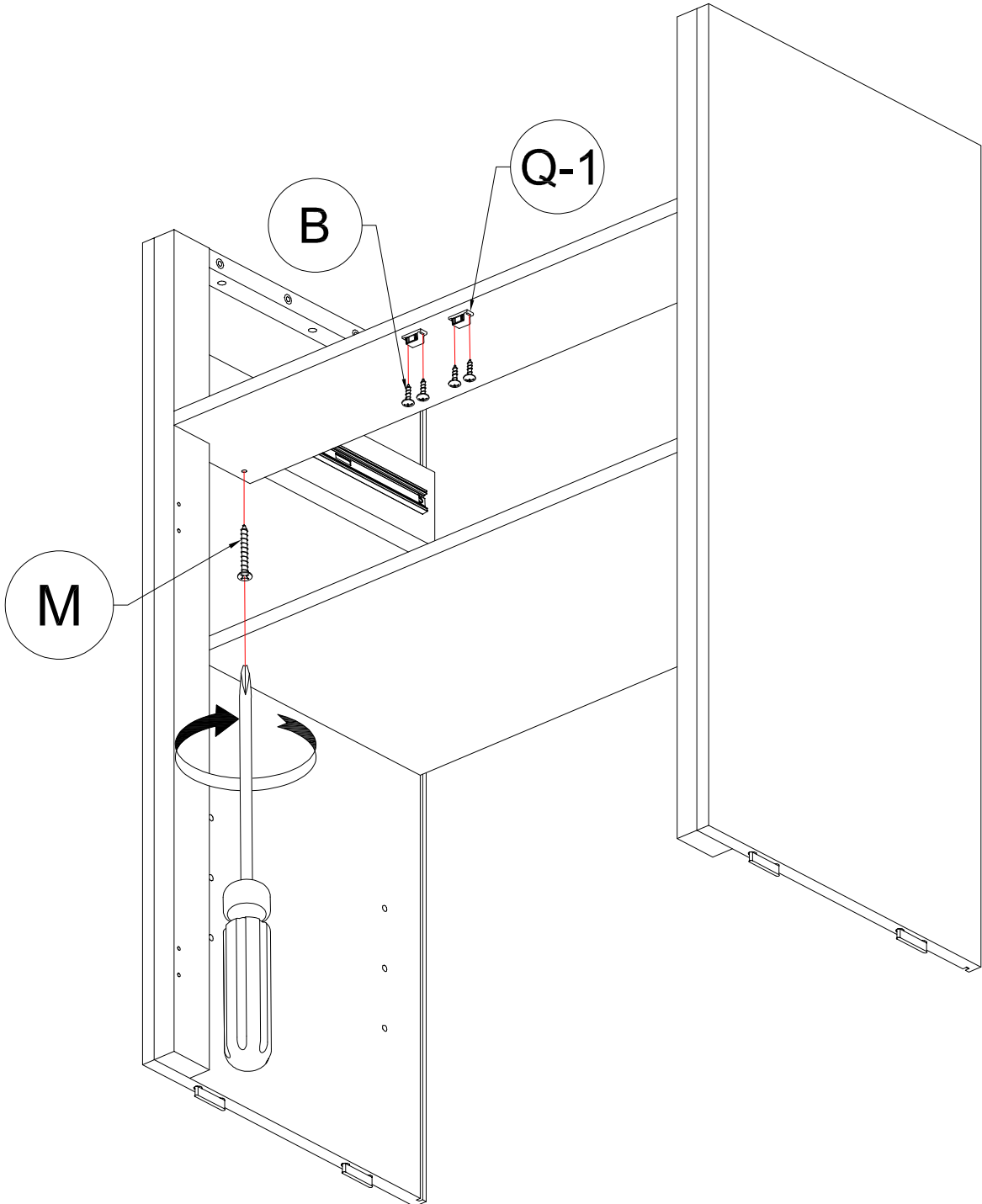
STEP 1.2: Following below illustration:

Check all joints are level and the rear groove is straight

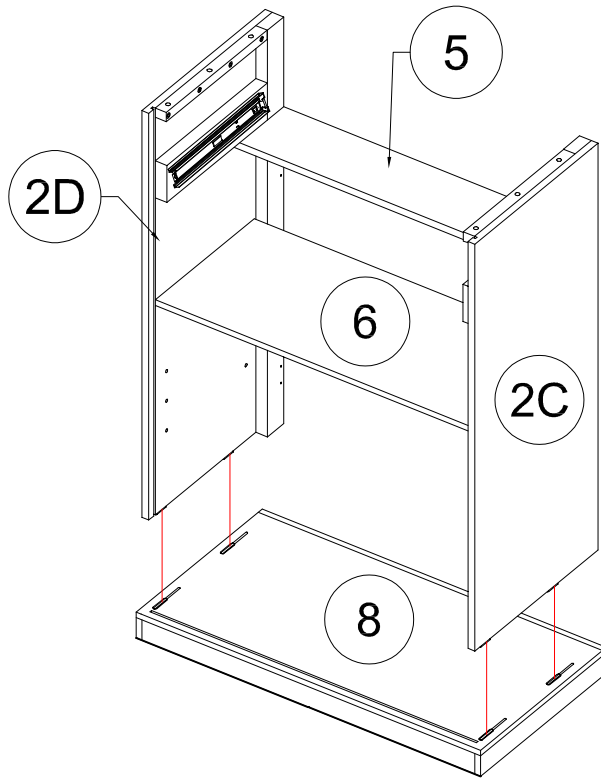


STEP 1.3: Following below illustration:

Q-1	B	M
		
2pcs	4pcs	2pcs

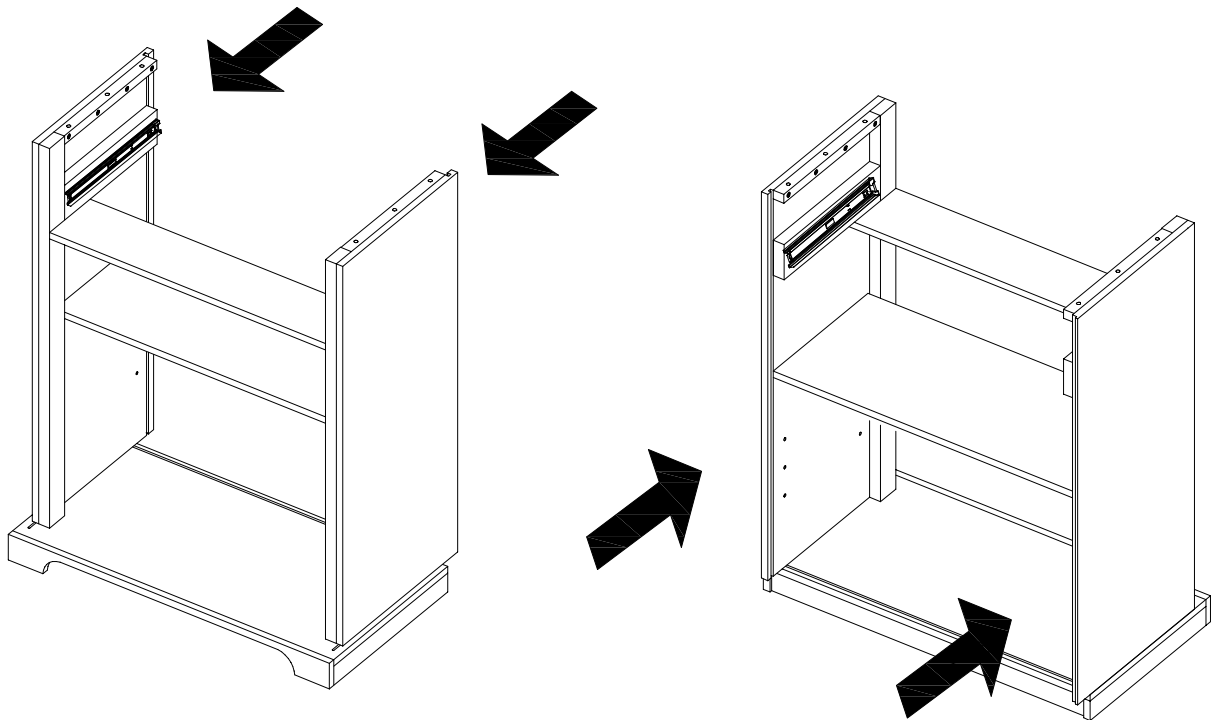


STEP 2.1: Following below illustration:



STEP 2.2: Following below illustration:

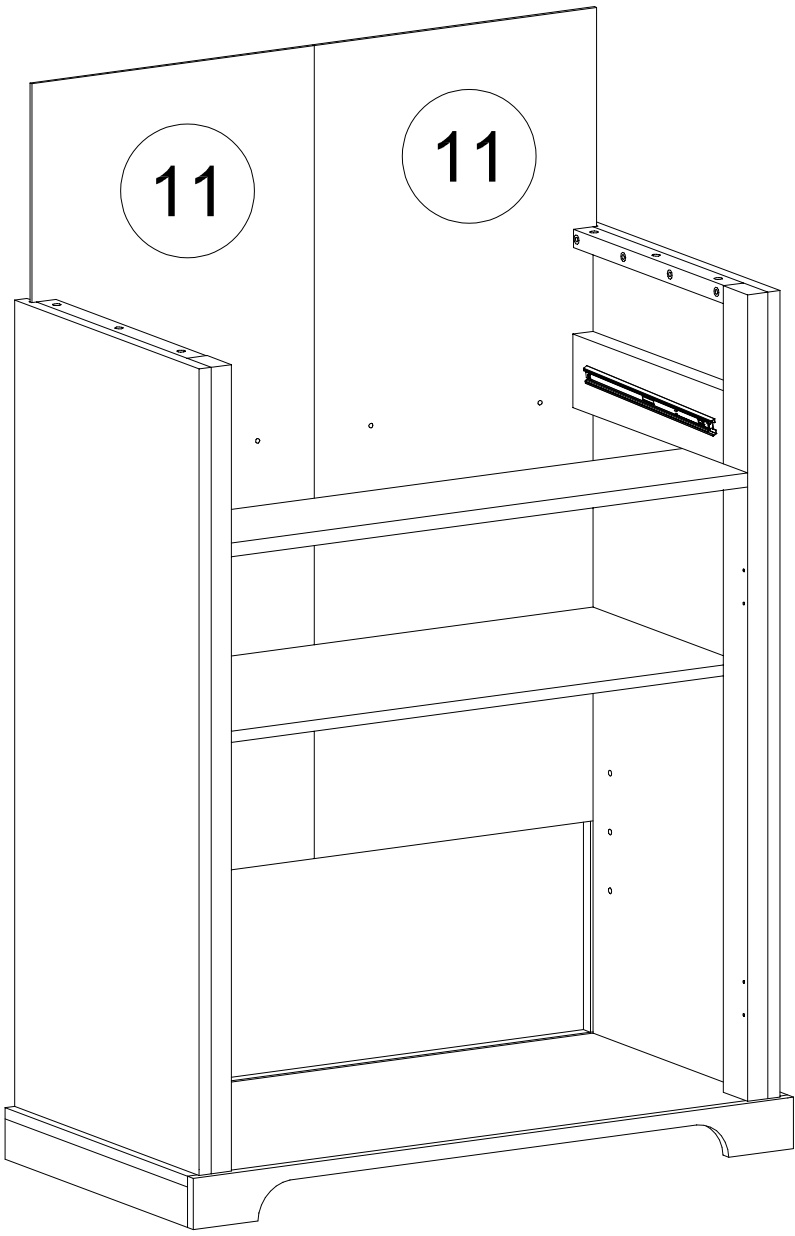
Check all joints are level and the rear groove is straight



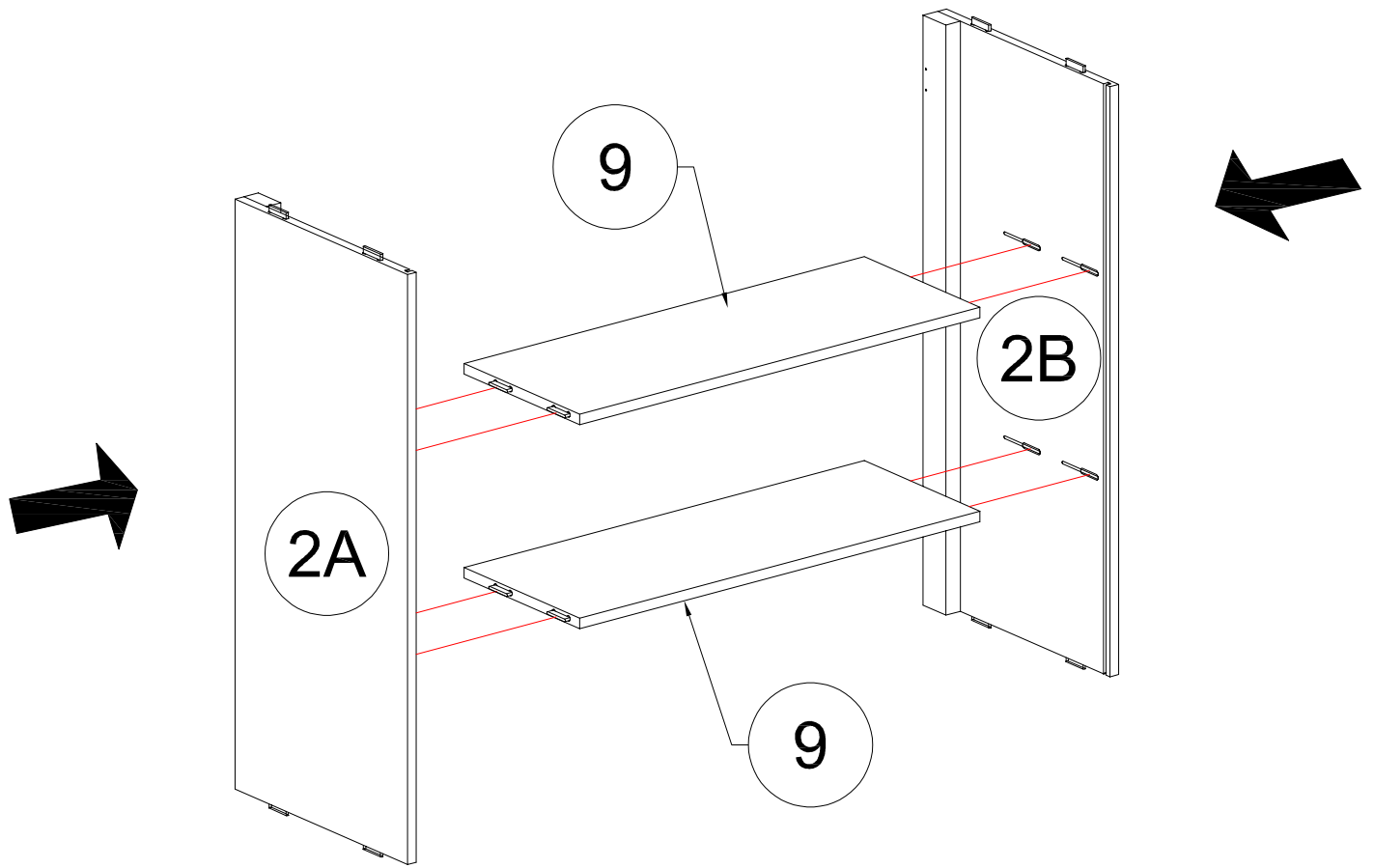
Front View

Back View

STEP 3: Following below illustration:

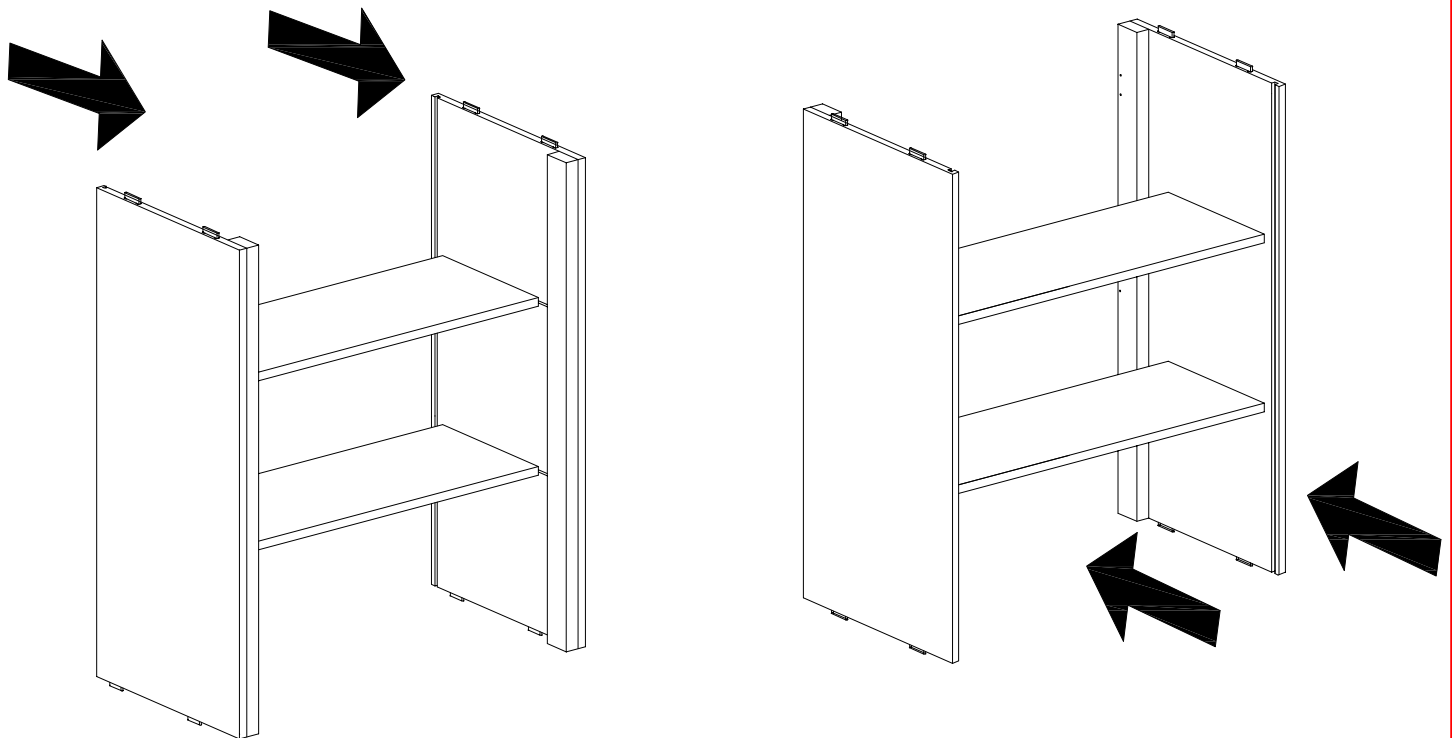


STEP 4.1: Following below illustration:



STEP 4.2: Following below illustration:

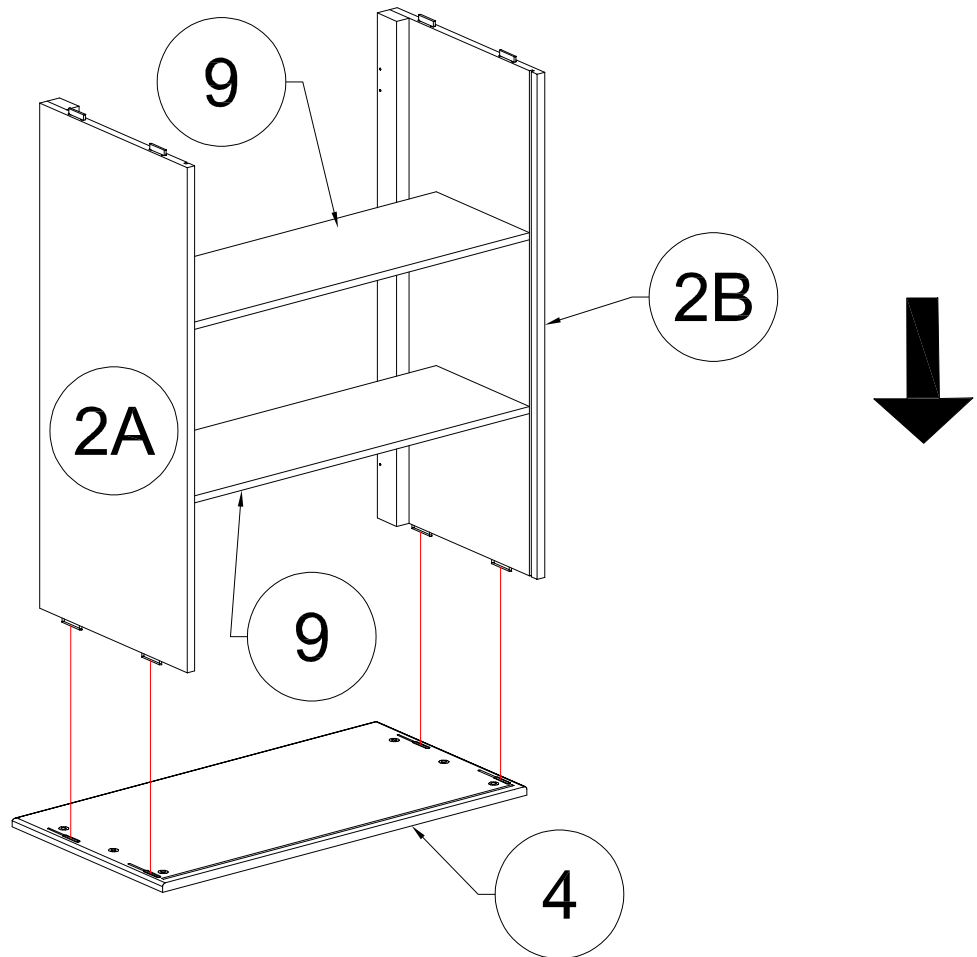
Check all joints are level and the rear groove is straight



Front View

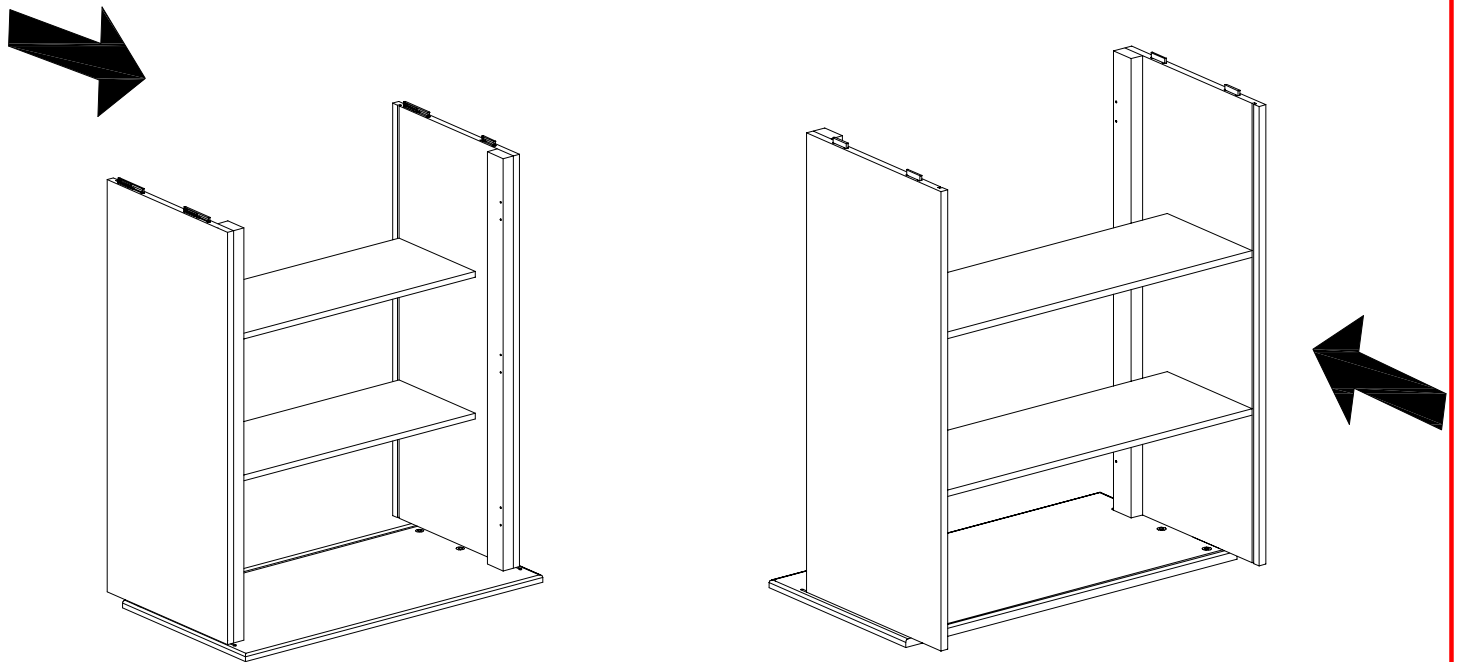
Back View

STEP 5.1: Following below illustration:



STEP 5.2: Following below illustration:

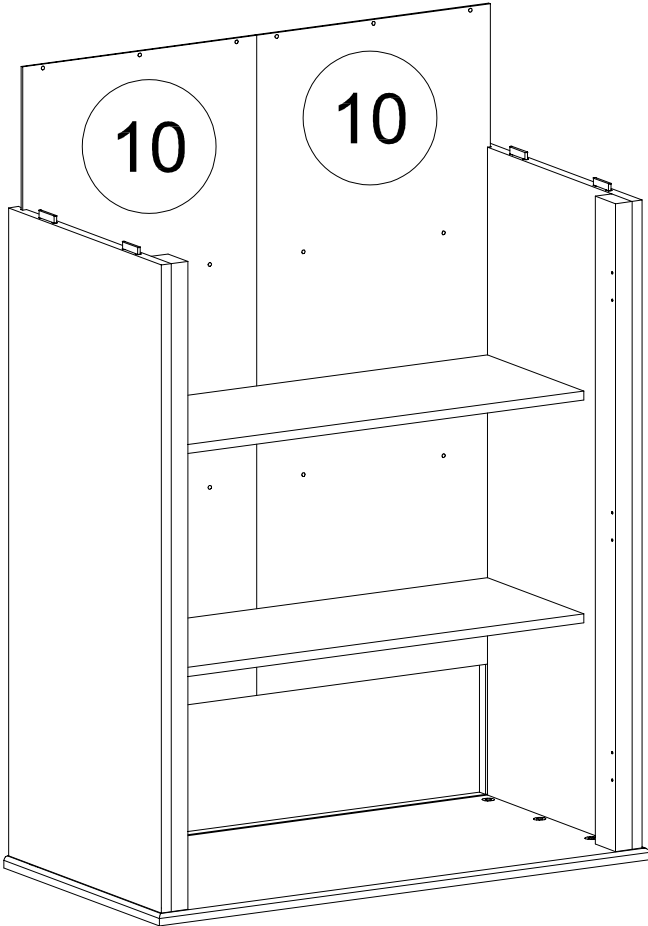
Check all joints are level and the rear groove is straight



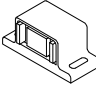

Front View

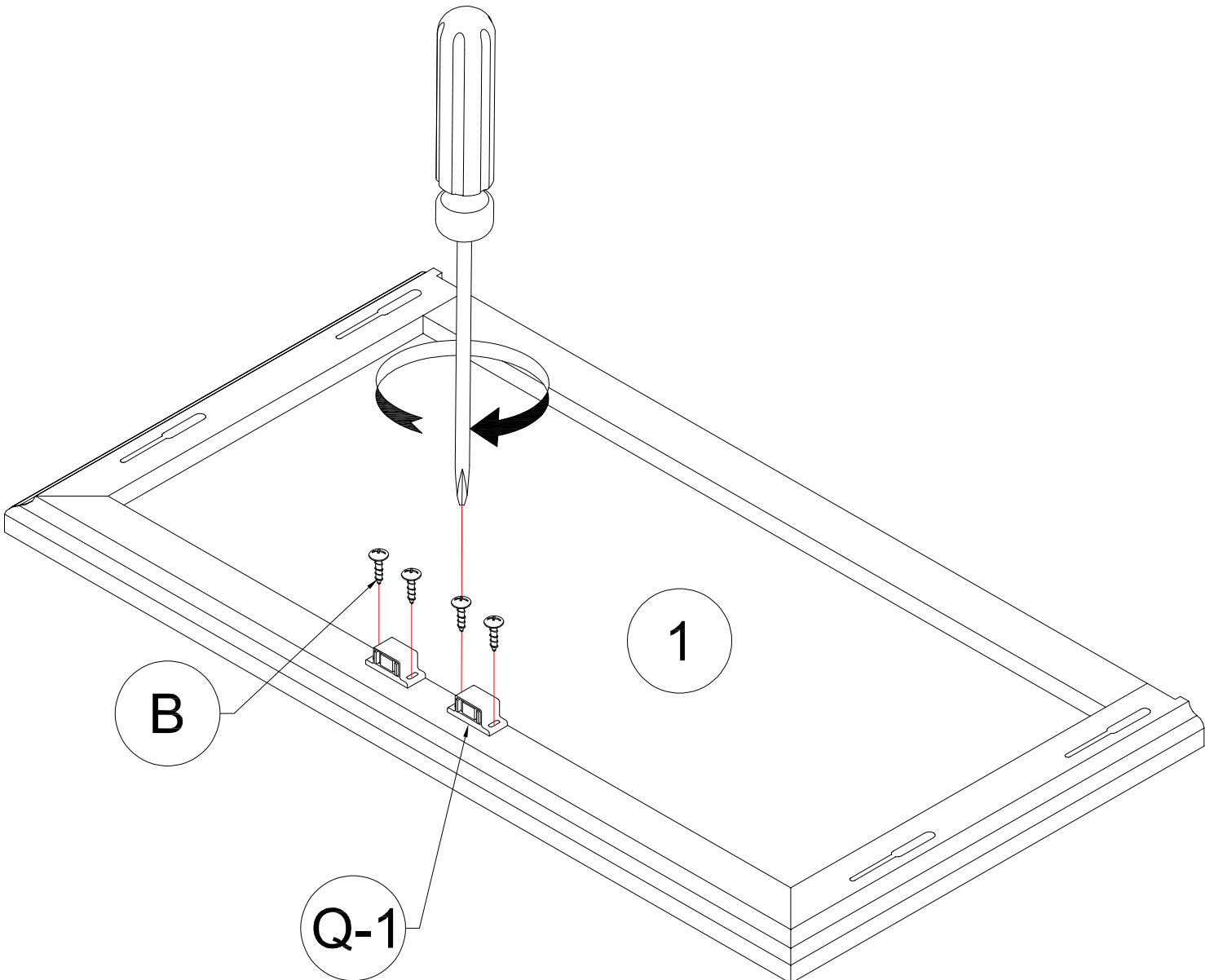
Back View

STEP 6: Following below illustration:

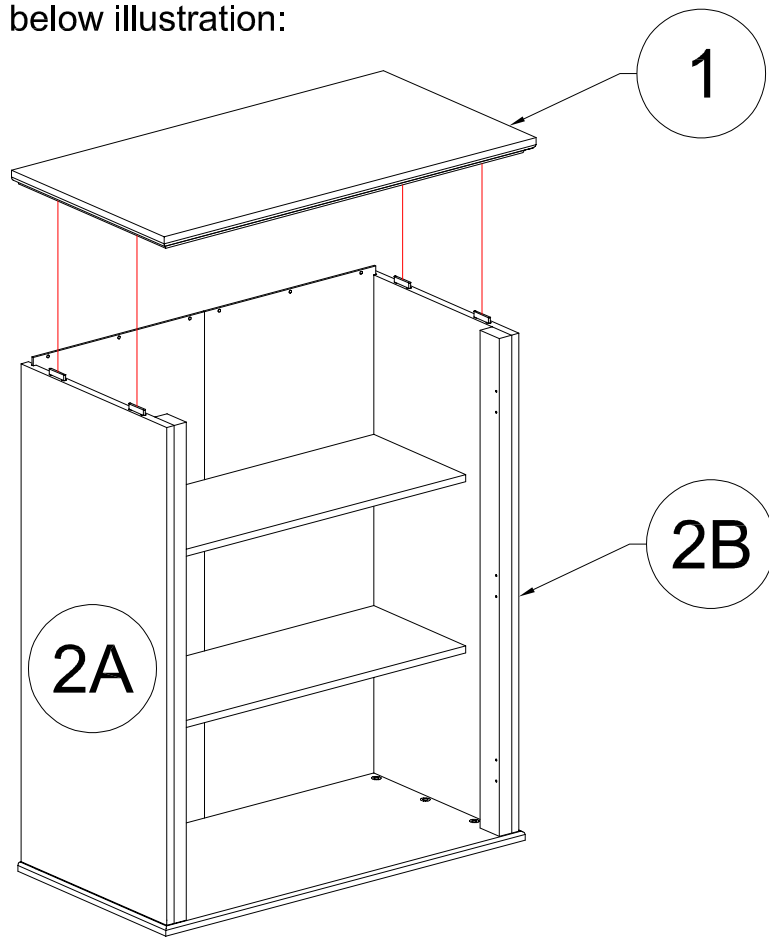


STEP 7: Following below illustration:

Q-1	B
	
2pcs	4pcs

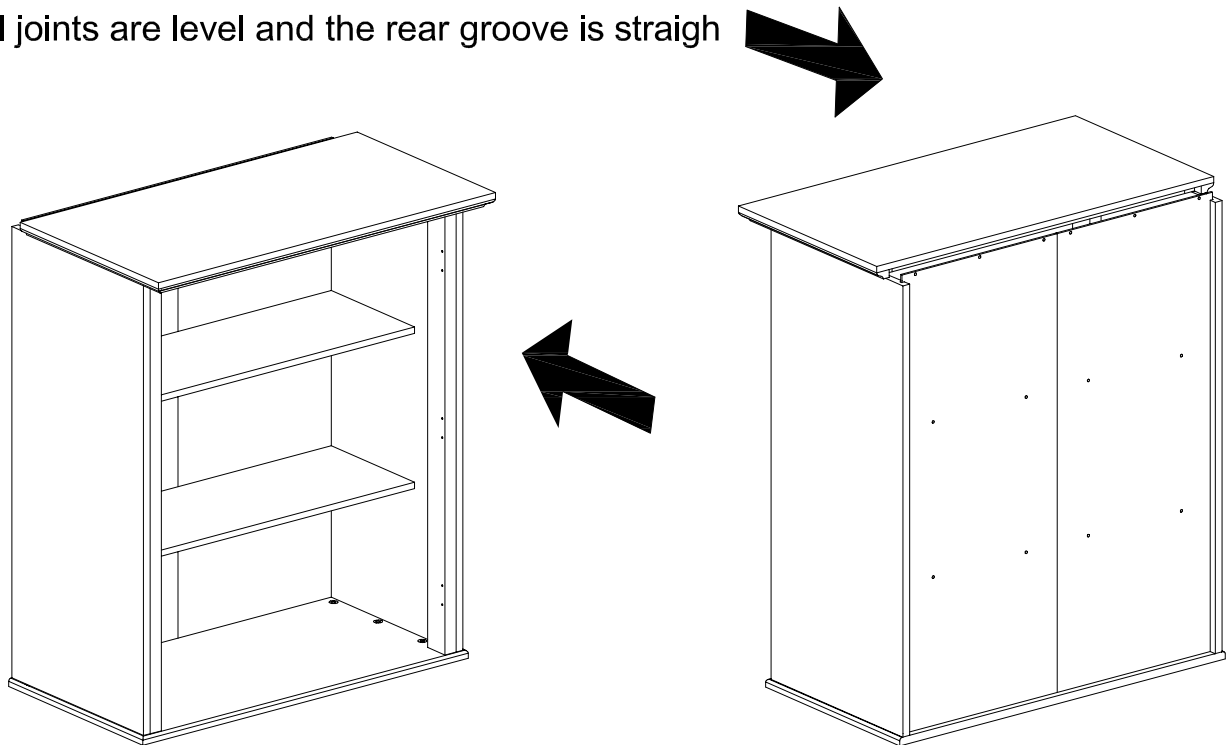


STEP 8.1: Following below illustration:



STEP 8.2: Following below illustration:

Check all joints are level and the rear groove is straight



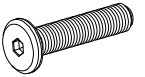
Front View

Back View

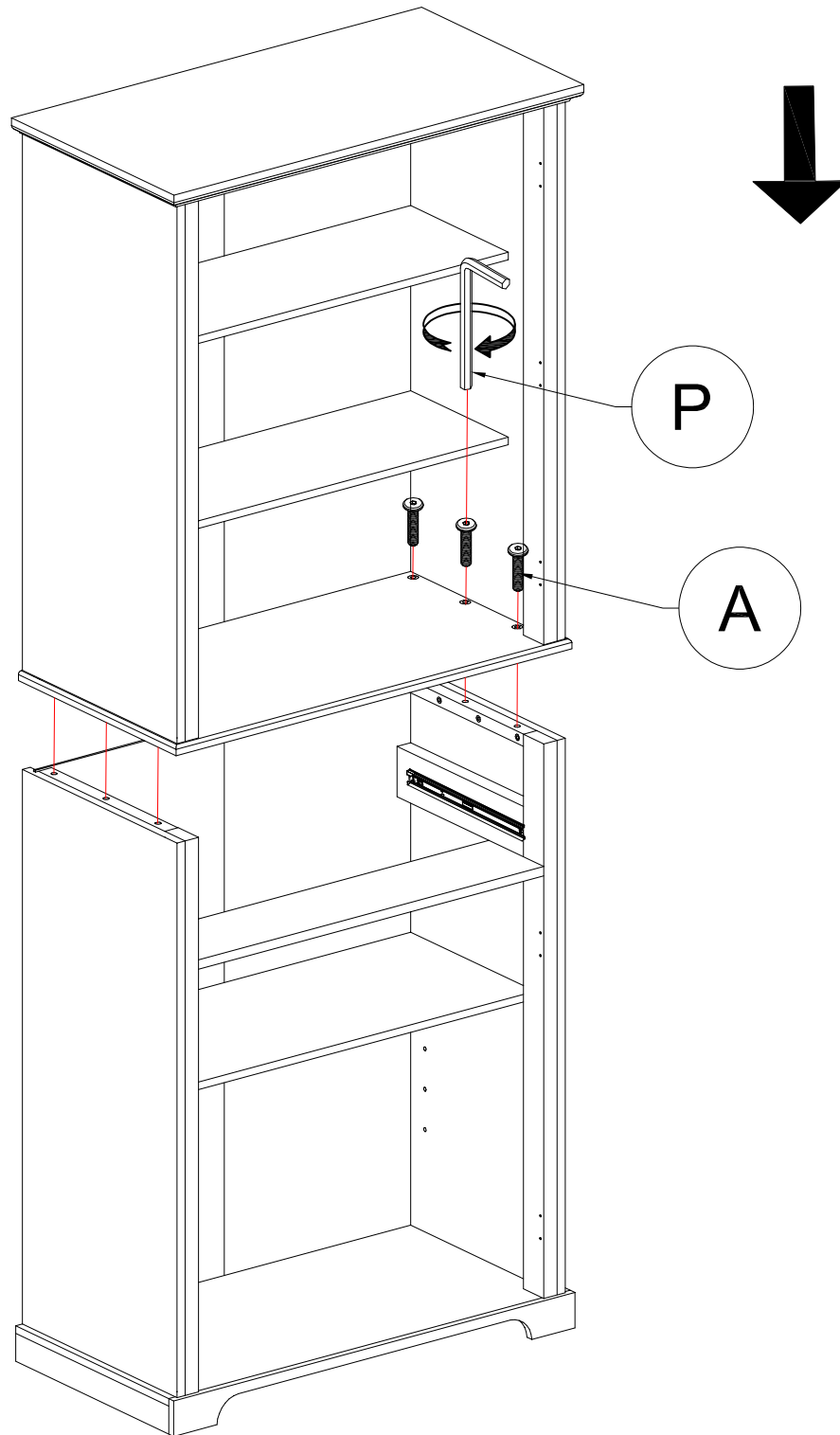
STEP 9: Following below illustration:

The lower half of the cabinet body was completed in step 3,
the upper half of the cabinet body was completed in step 8.2.
Now connect them together



A

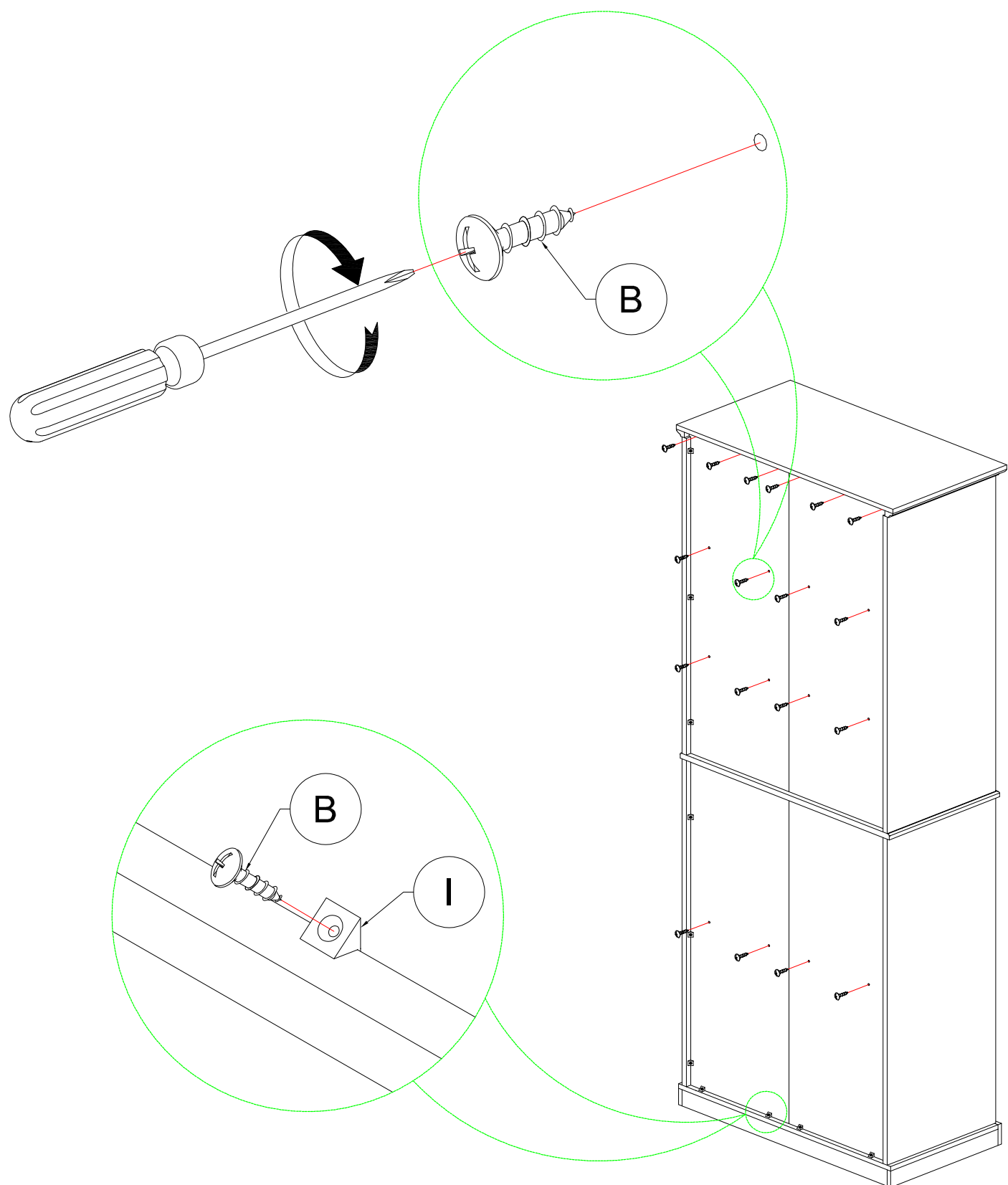


6 pcs

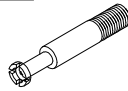
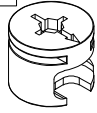
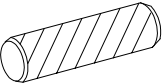


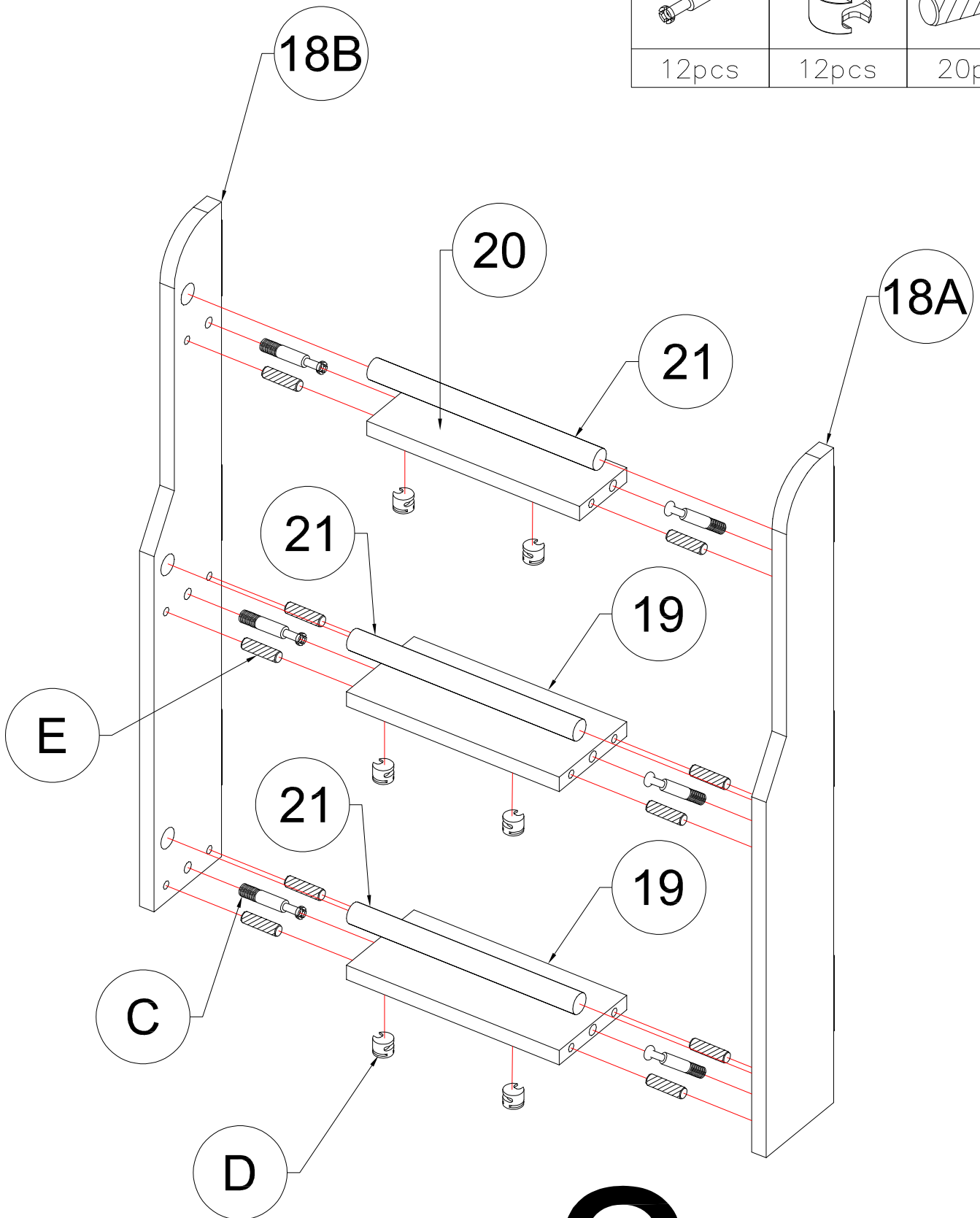
STEP 10: Following below illustration:

I	B
	
16pcs	34pcs



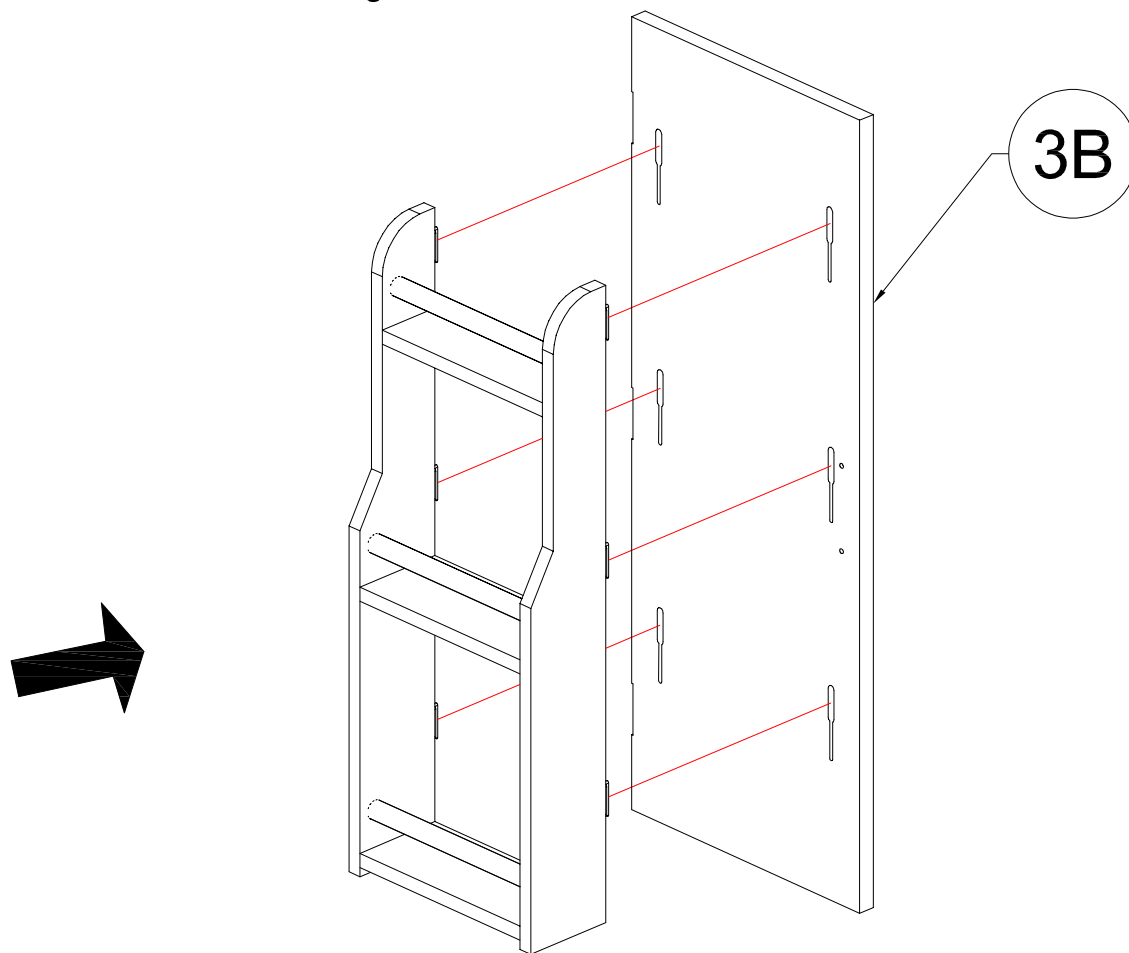
STEP 11: Following below illustration:

C 	D 	E 
12pcs	12pcs	20pcs

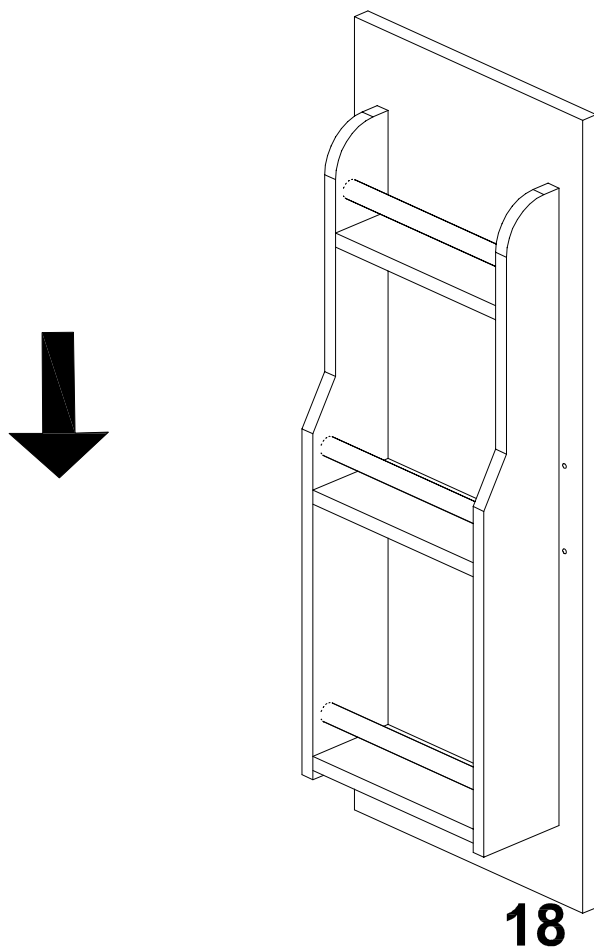


x2

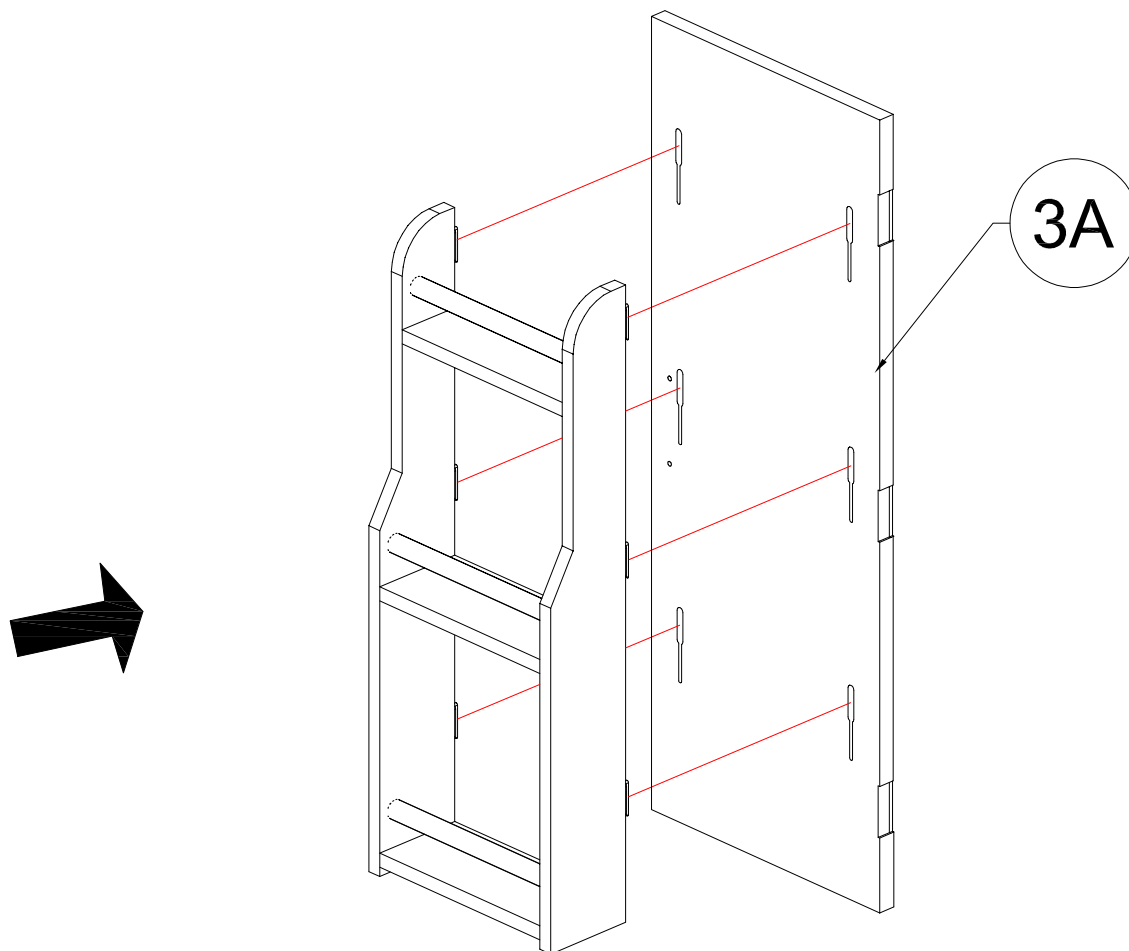
STEP 12.1: Following below illustration:



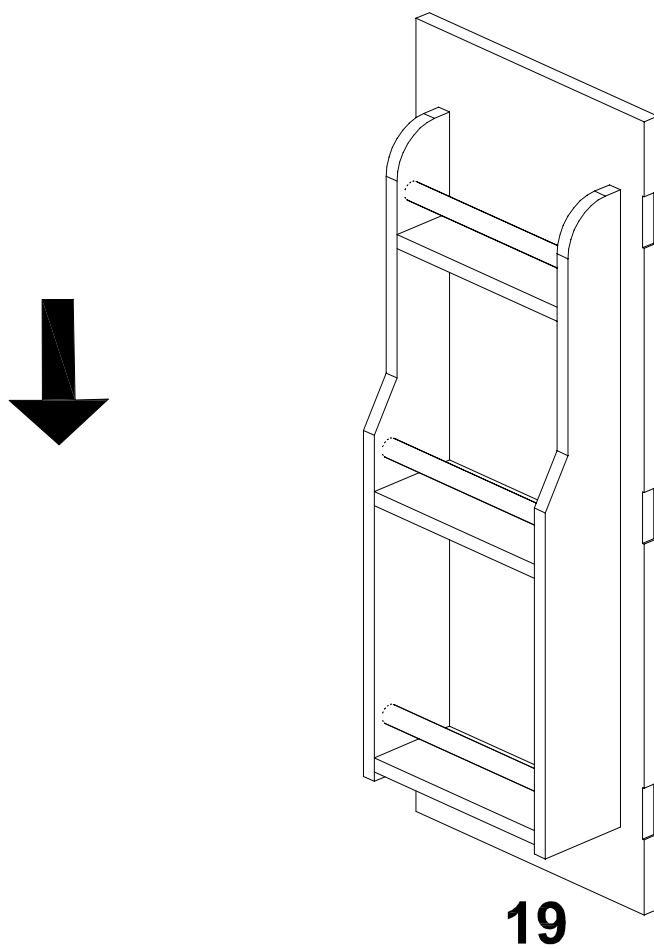
STEP 12.2: Following below illustration:




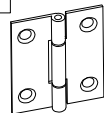
STEP 13.1: Following below illustration:

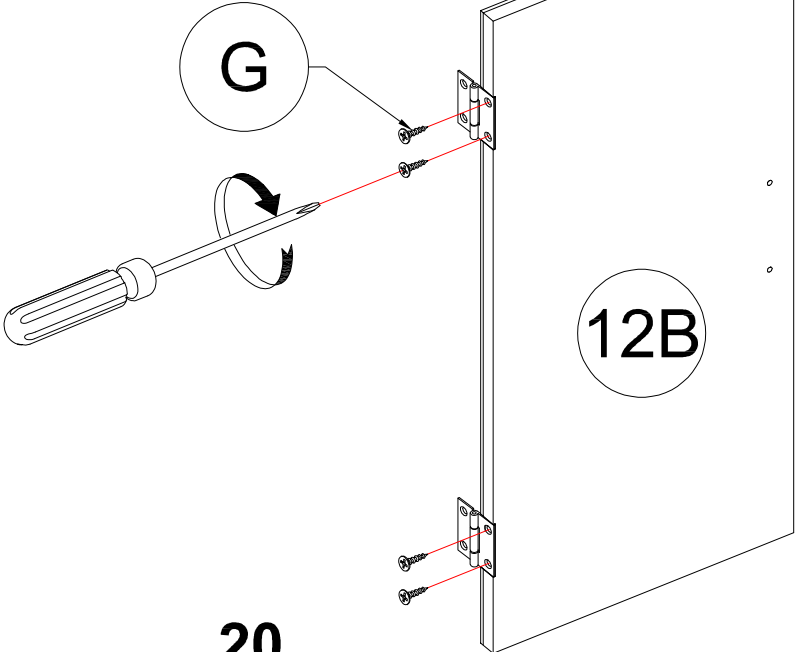
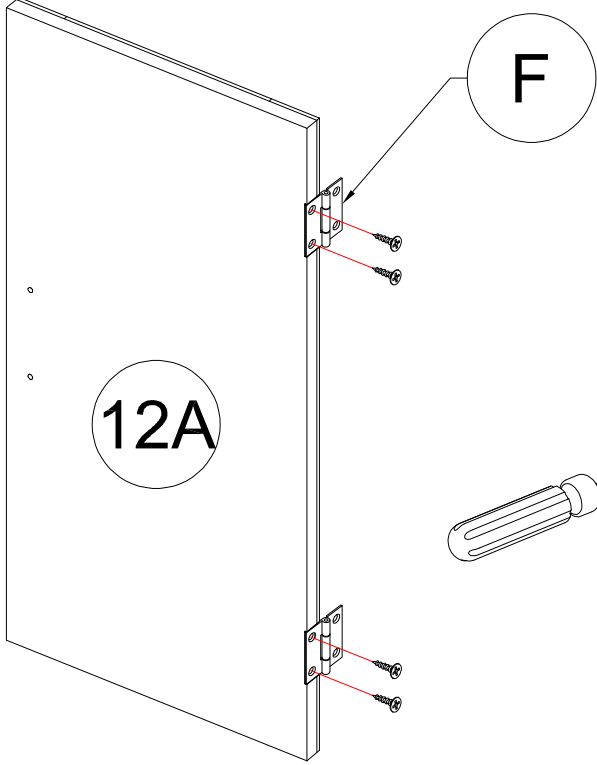
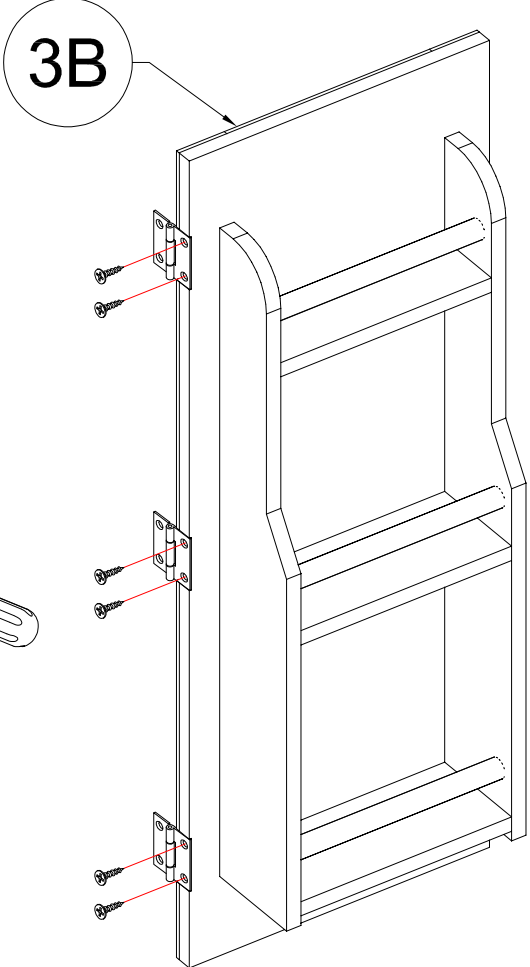
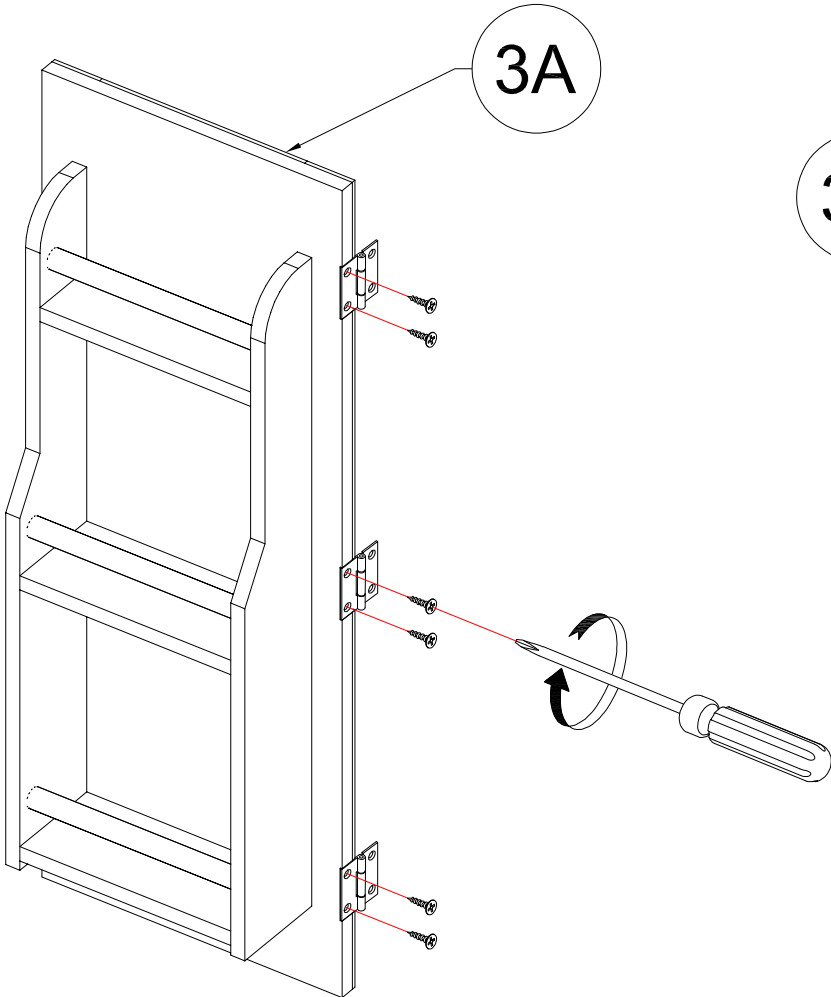


STEP 13.2: Following below illustration:



STEP 14: Following below illustration:

G	F
	
20pcs	10pcs



STEP 15: Following below illustration:

G

20pcs

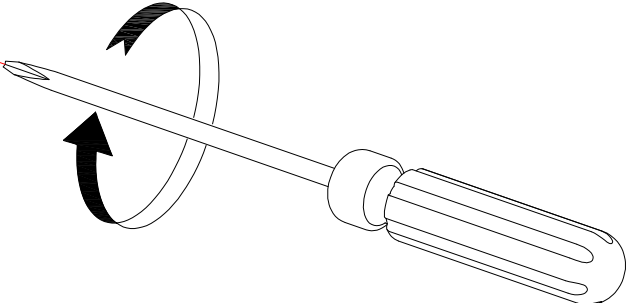
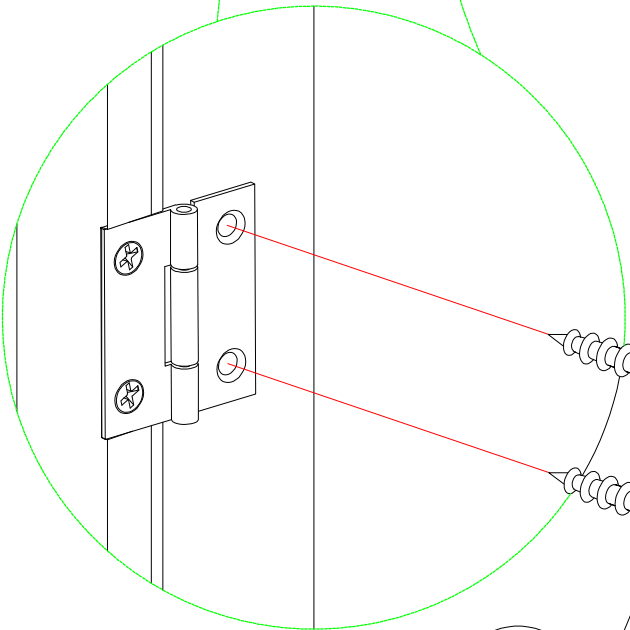
3A

3B

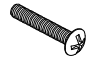

12

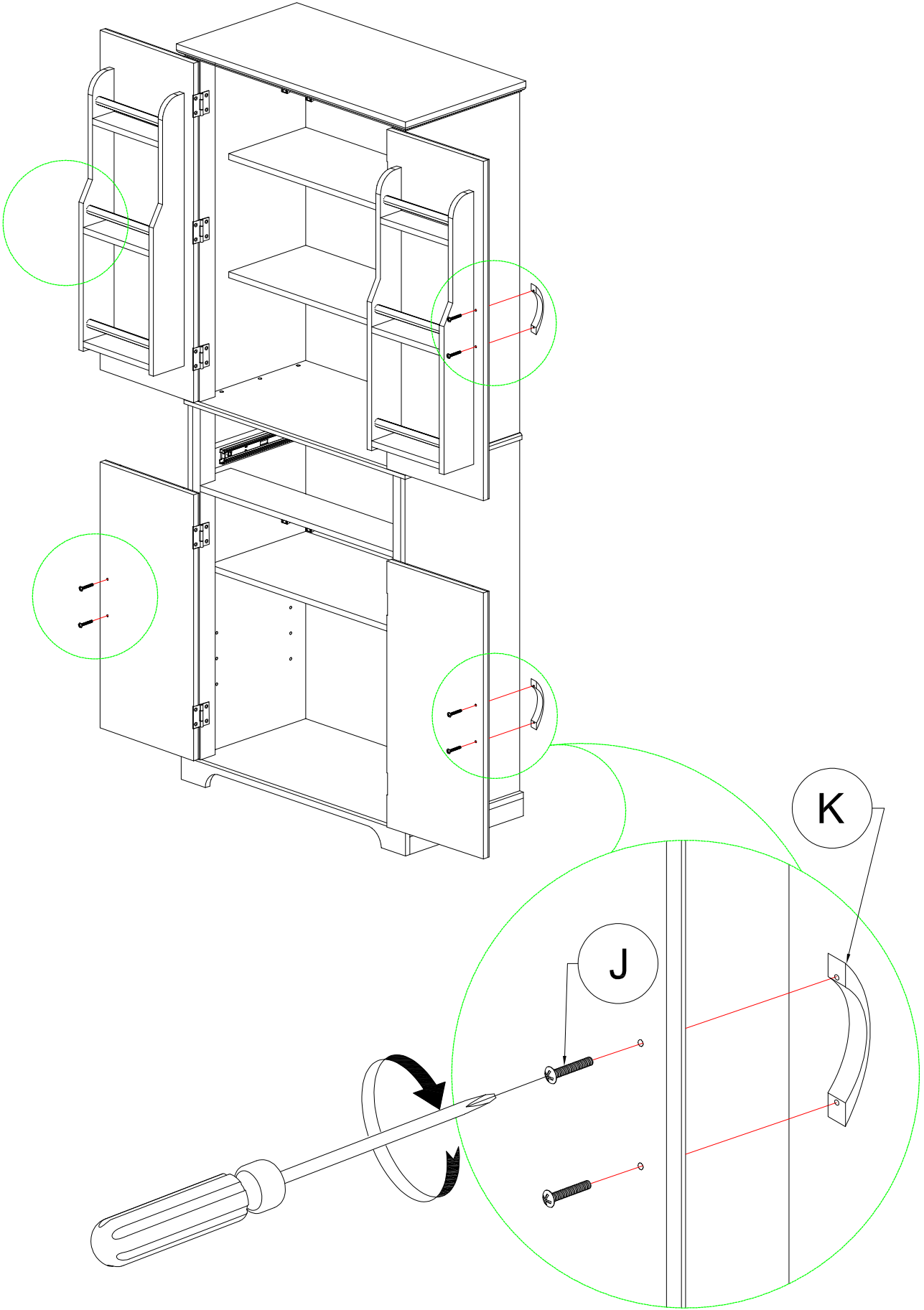
12

G


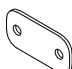


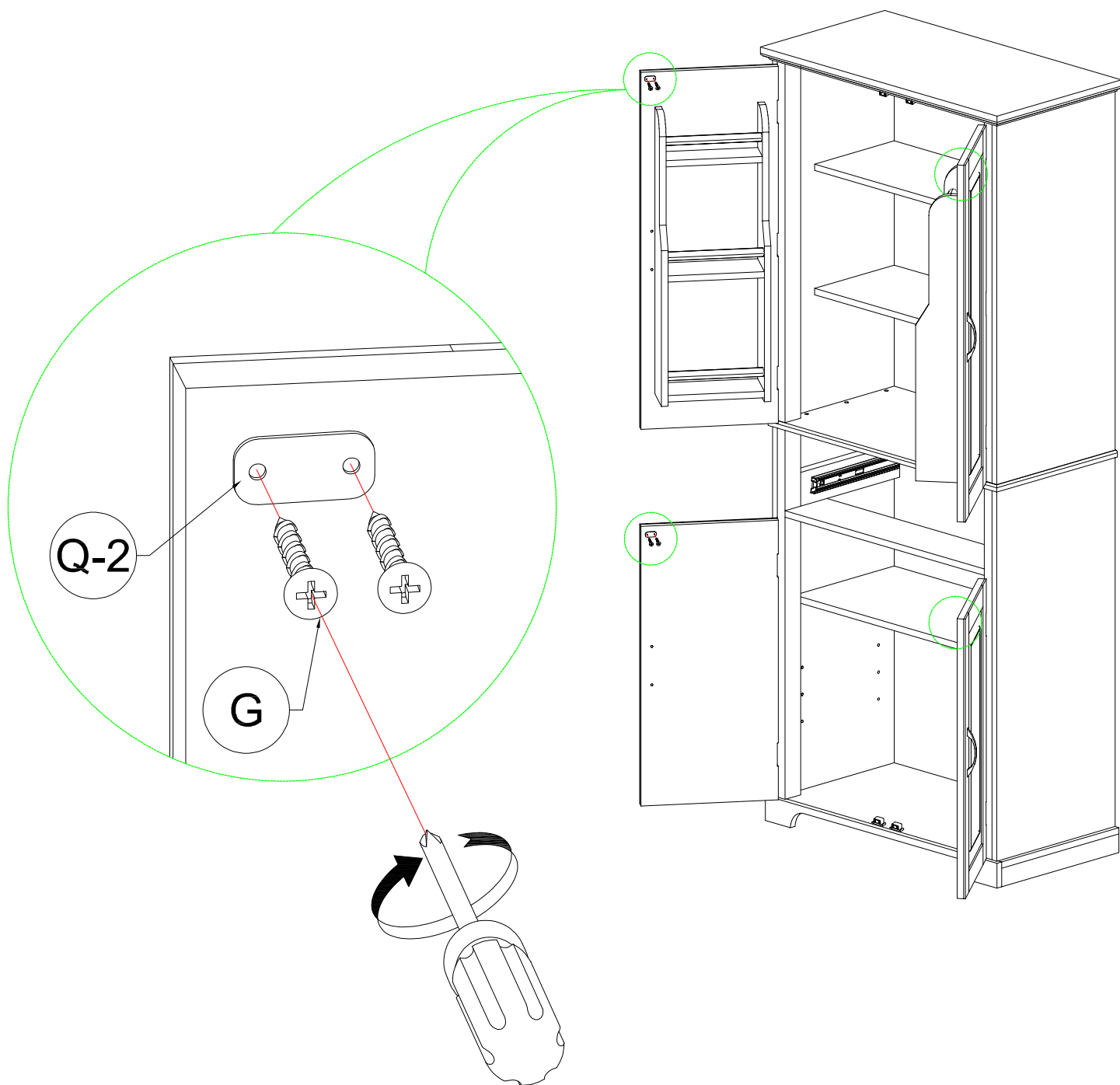
STEP 16: Following below illustration:

J	K
	
8pcs	4pcs


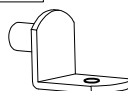


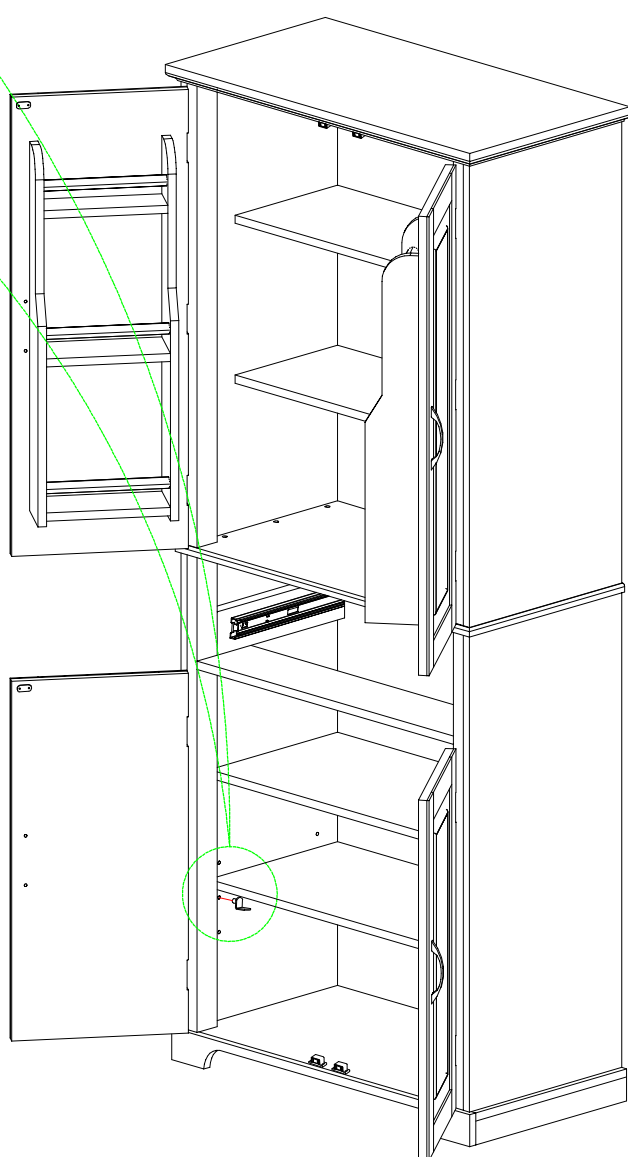
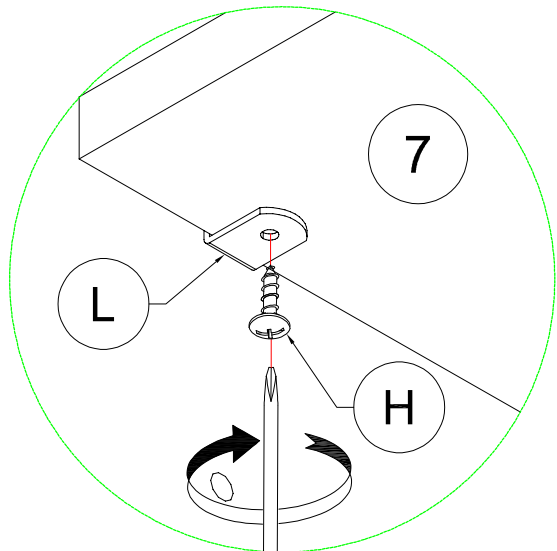
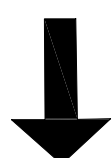
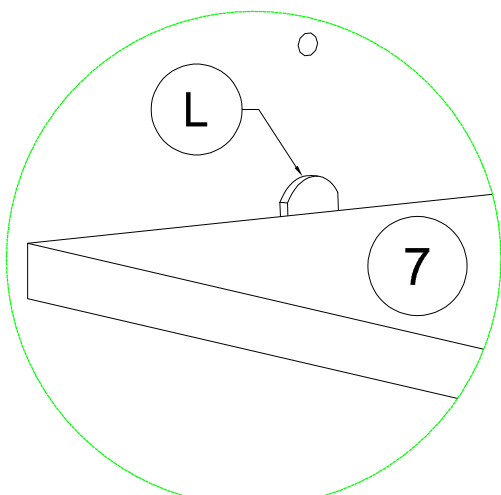
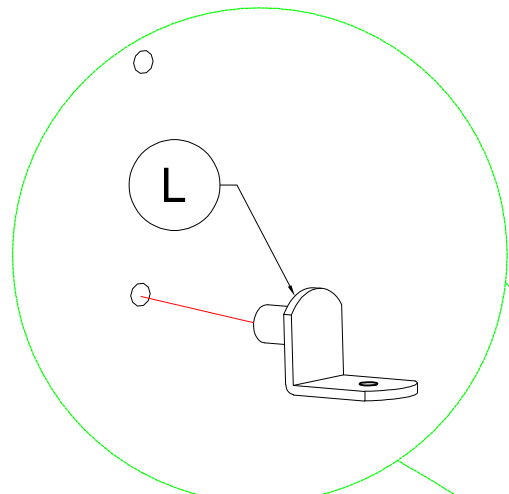
STEP 17: Following below illustration:

G	Q-2
	
8pcs	4pcs



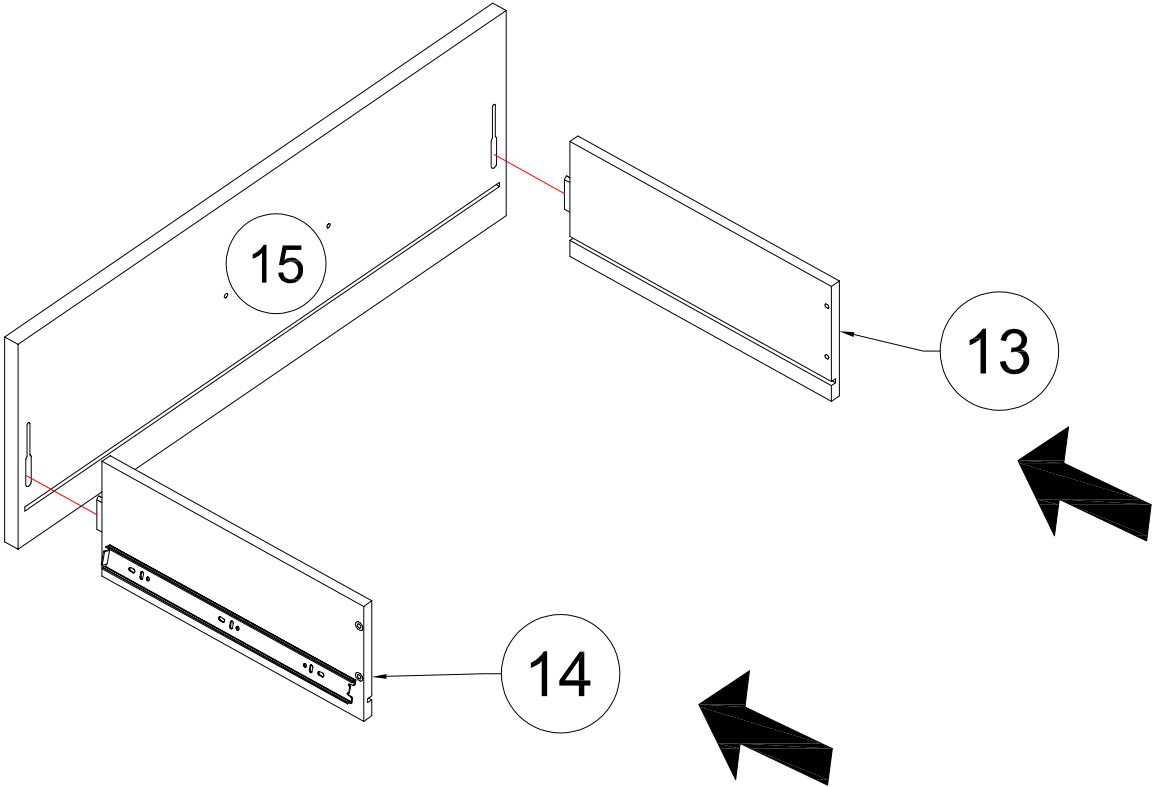
STEP 18: Following below illustration:

H		L	
	4pcs		4pcs

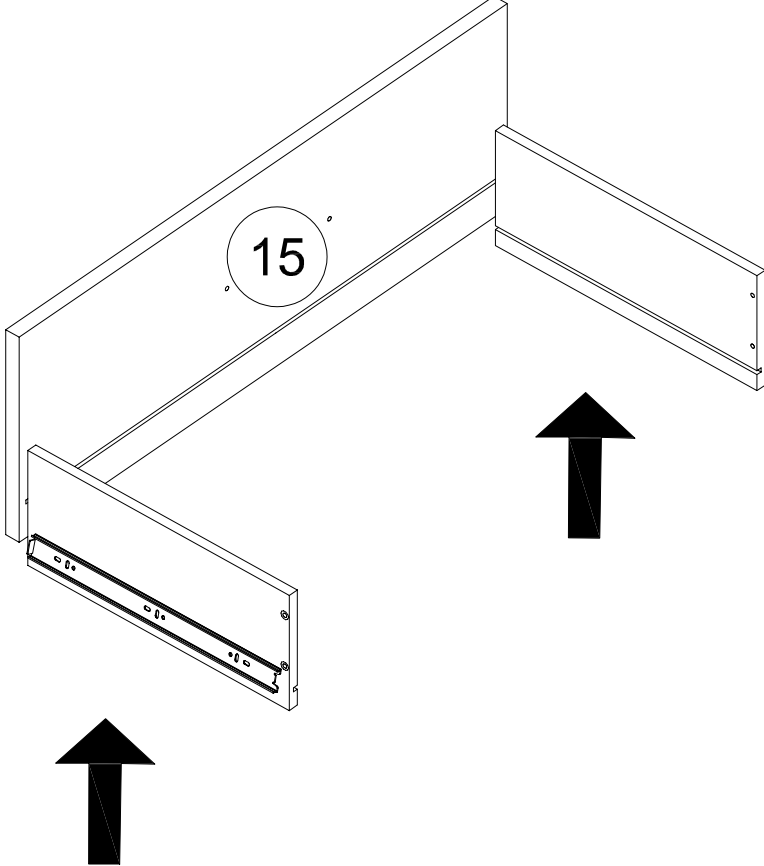


x4

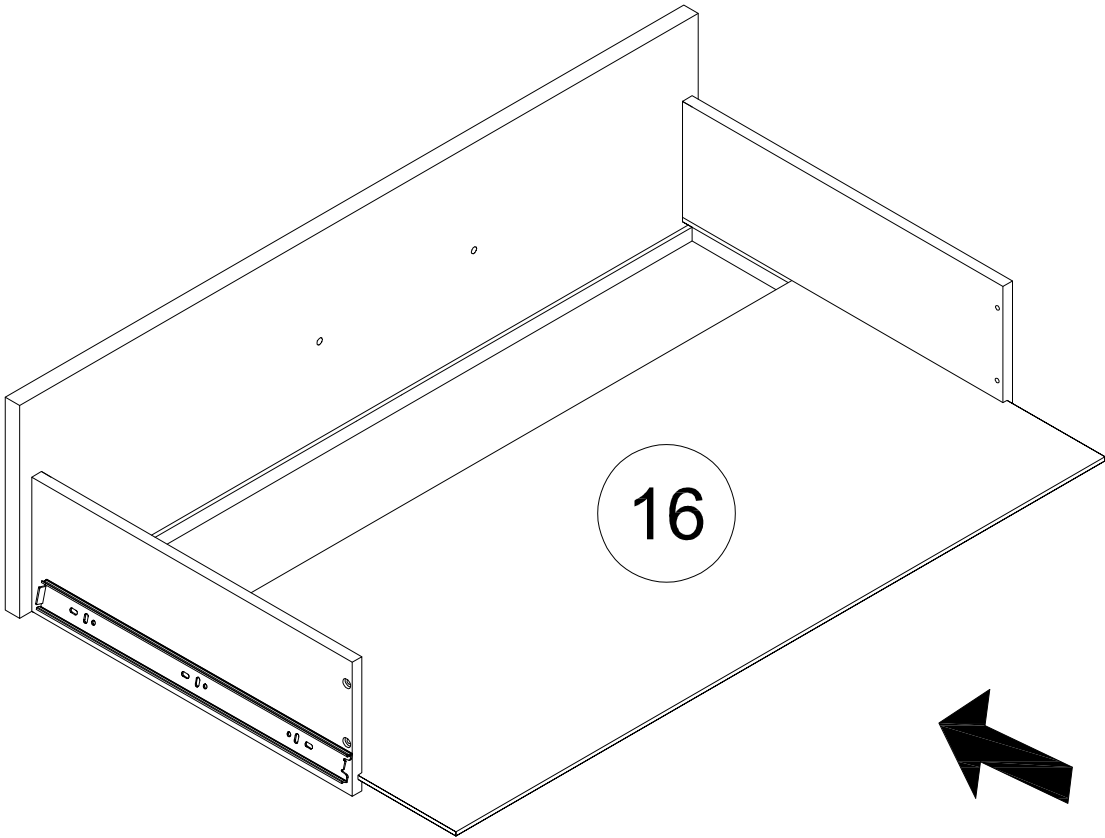
STEP 19.1: Following below illustration:






STEP 19.2: Following below illustration:

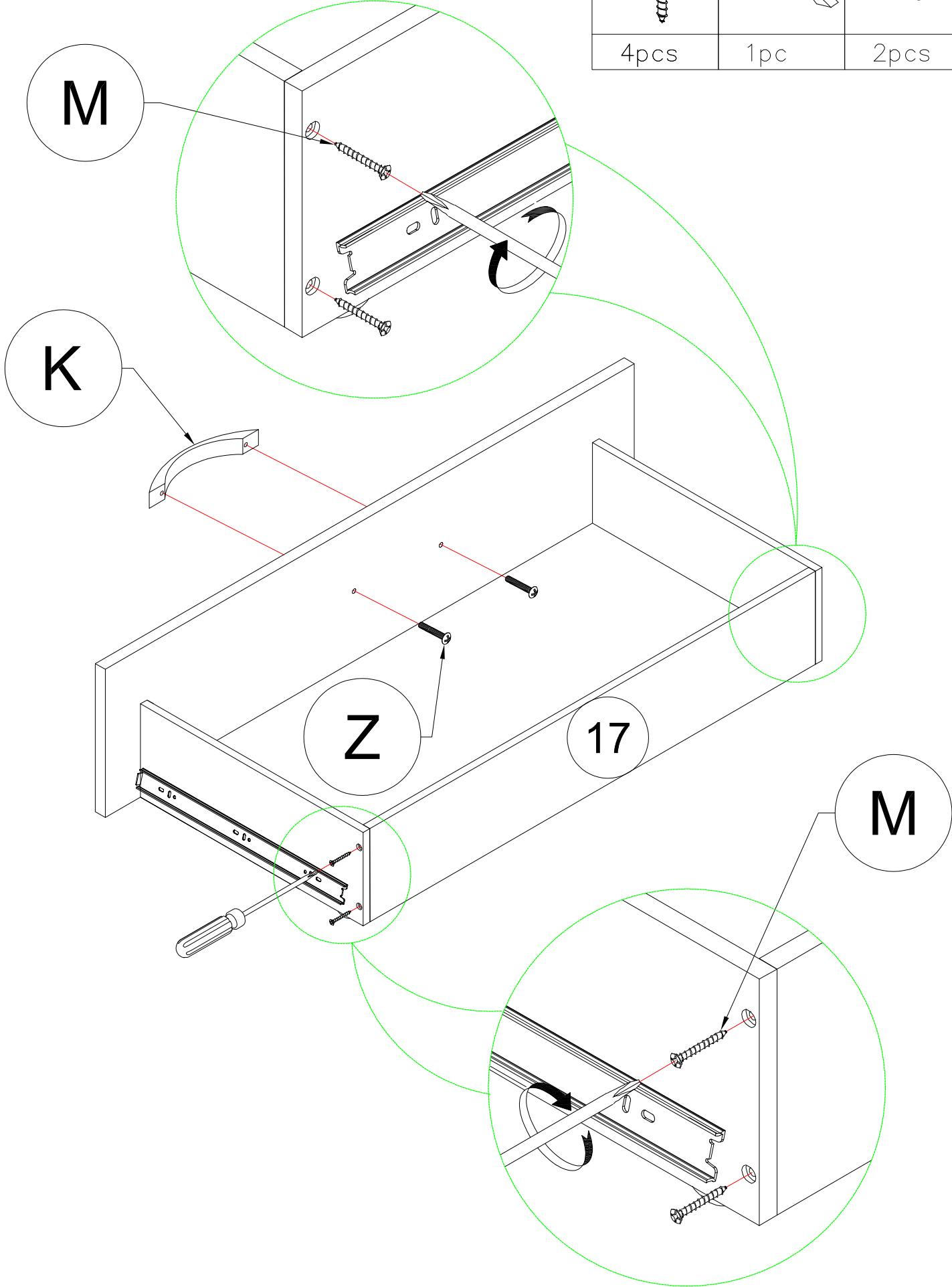


STEP 19.3: Following below illustration:

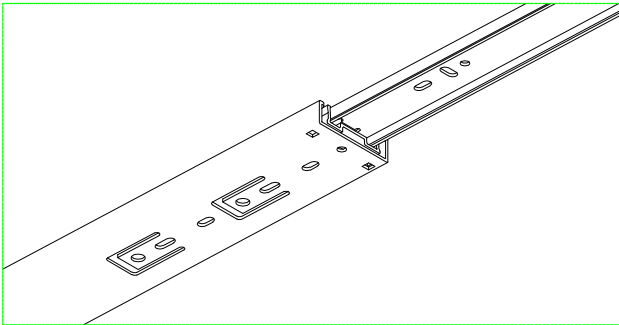
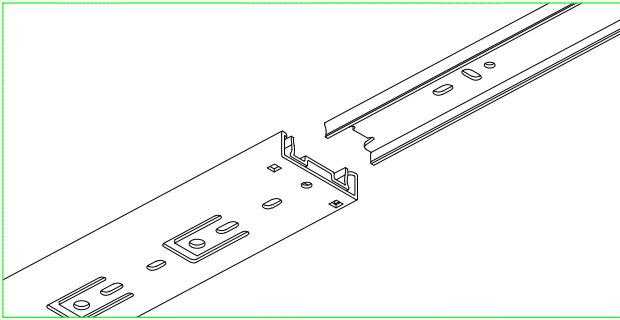
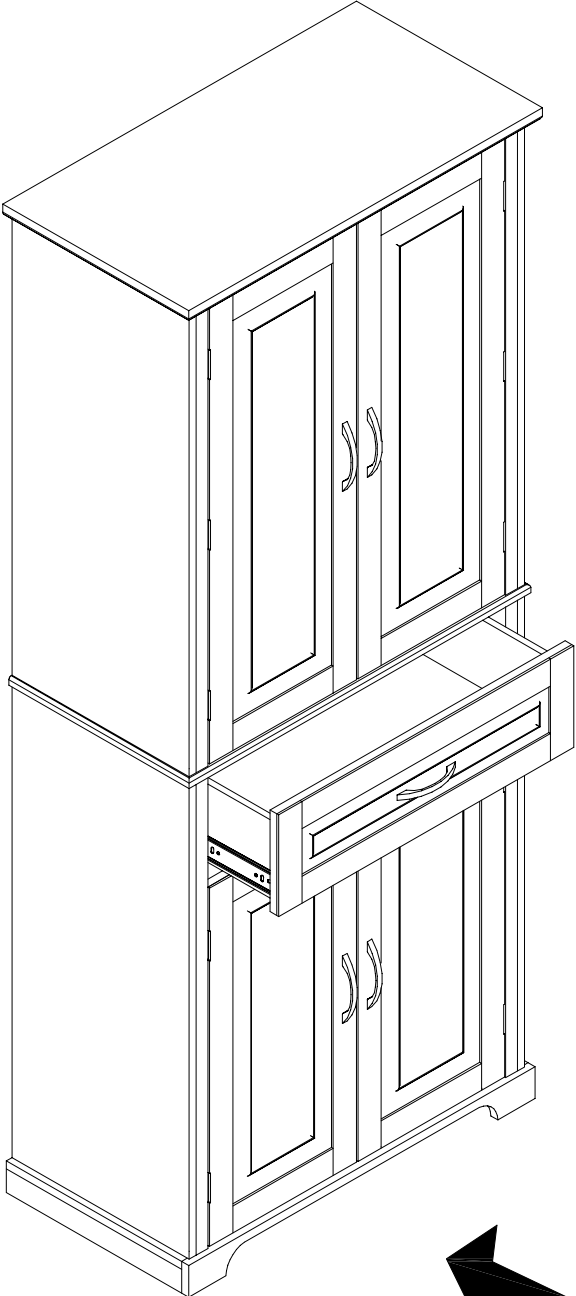


STEP 19.4: Following below illustration:




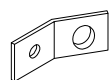
M 	K 	Z 
4pcs	1pc	2pcs

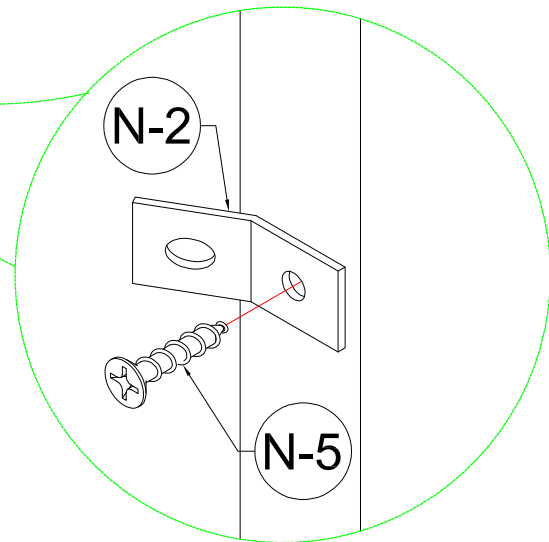
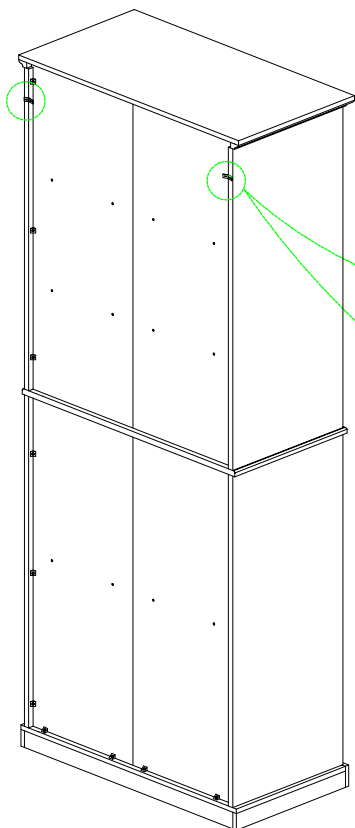
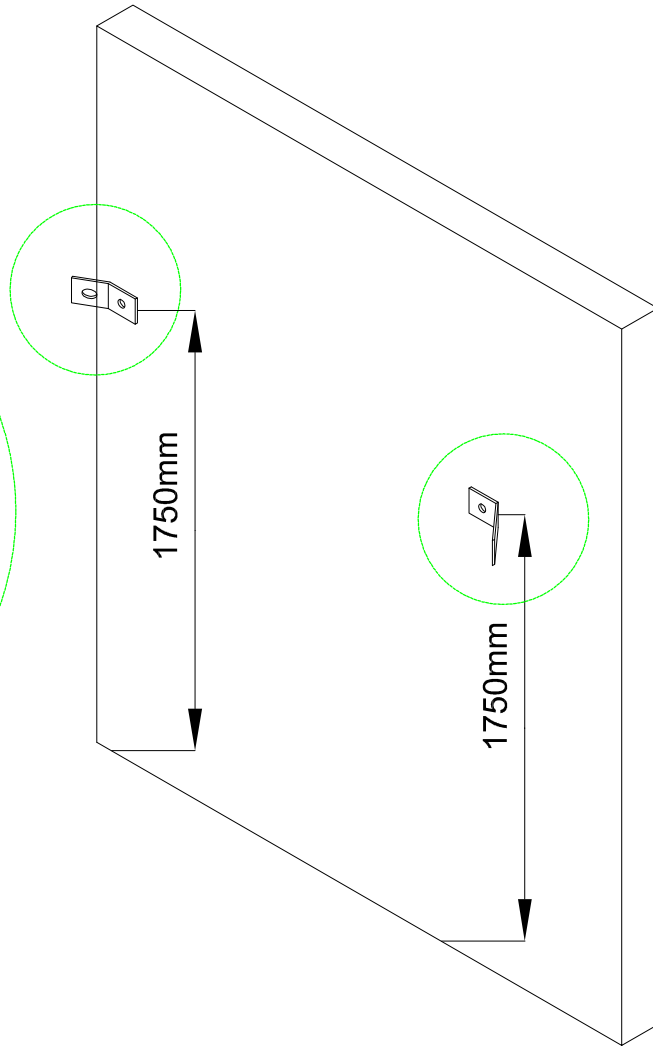
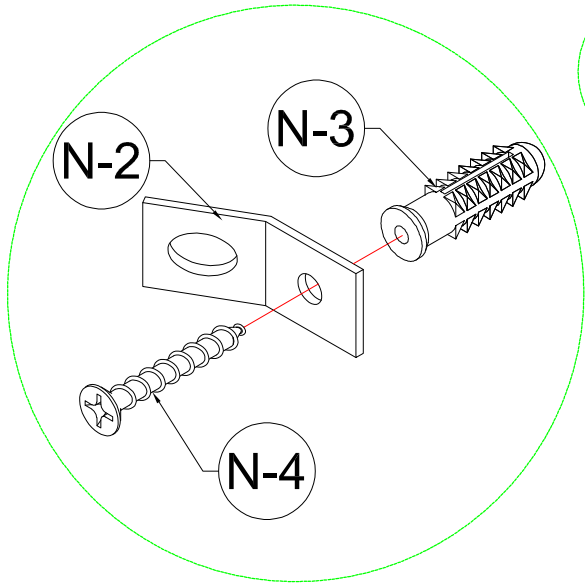


STEP 20: Following below illustration:




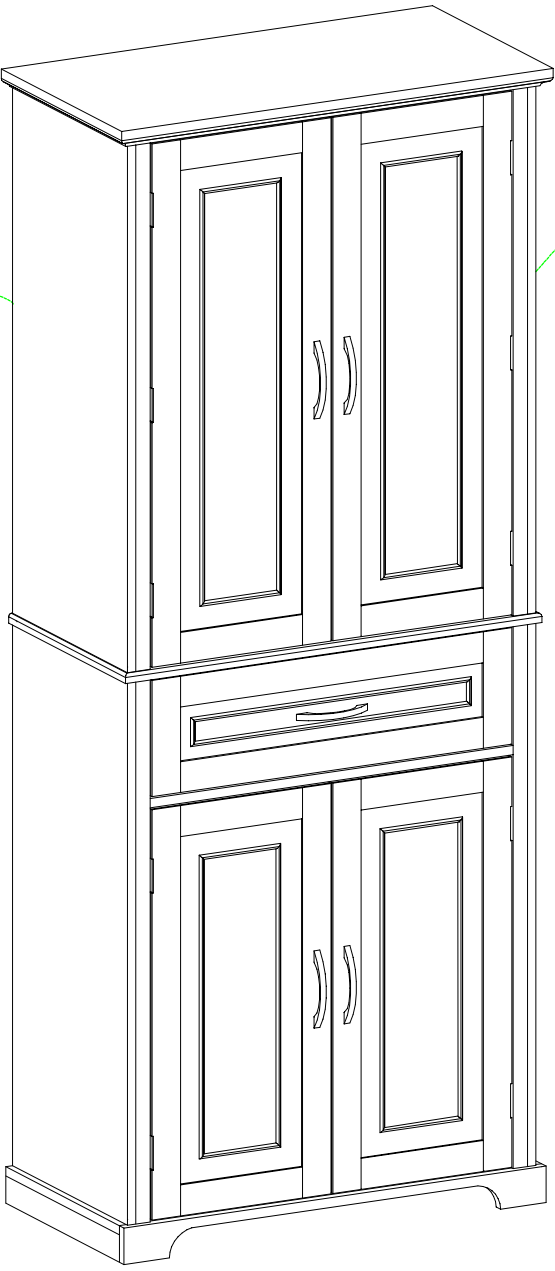
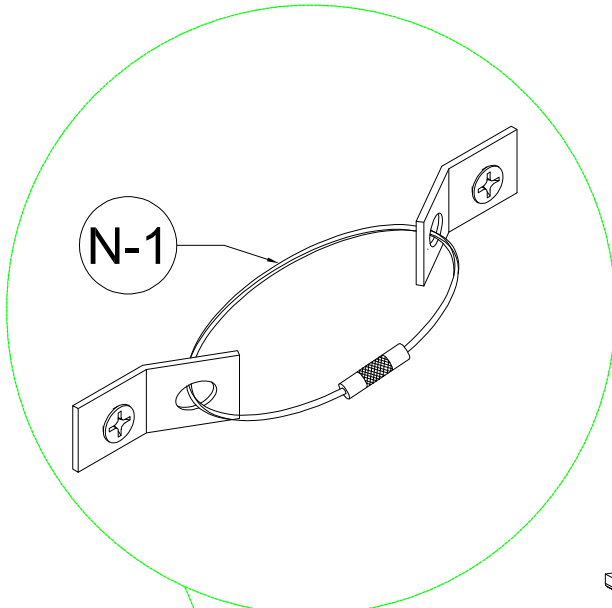
STEP 21: Following below illustration:

N-5	N-4	N-3	N-2
			
2pcs	2pcs	2pcs	4pcs



STEP 22: Following below illustration:

N-1

2pcs



FINISH

