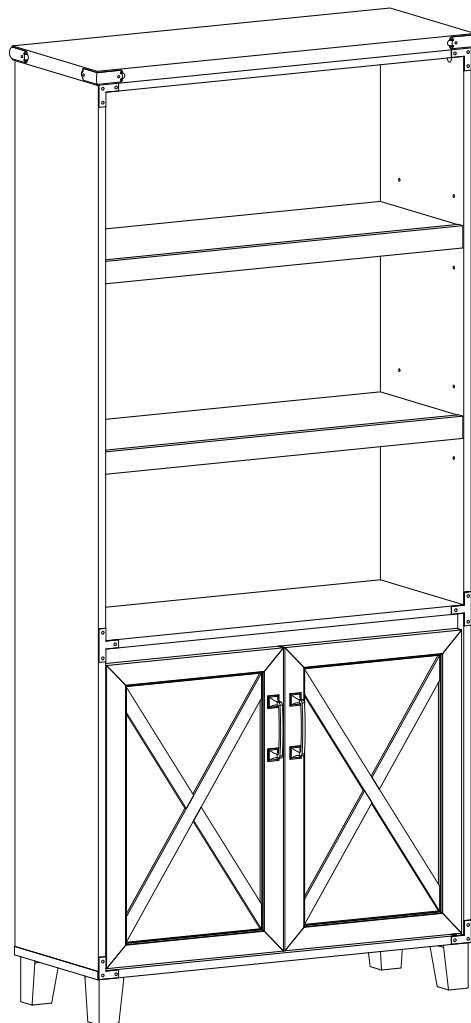


# ASSEMBLY INSTRUCTIONS

## Important Safety Instructions:

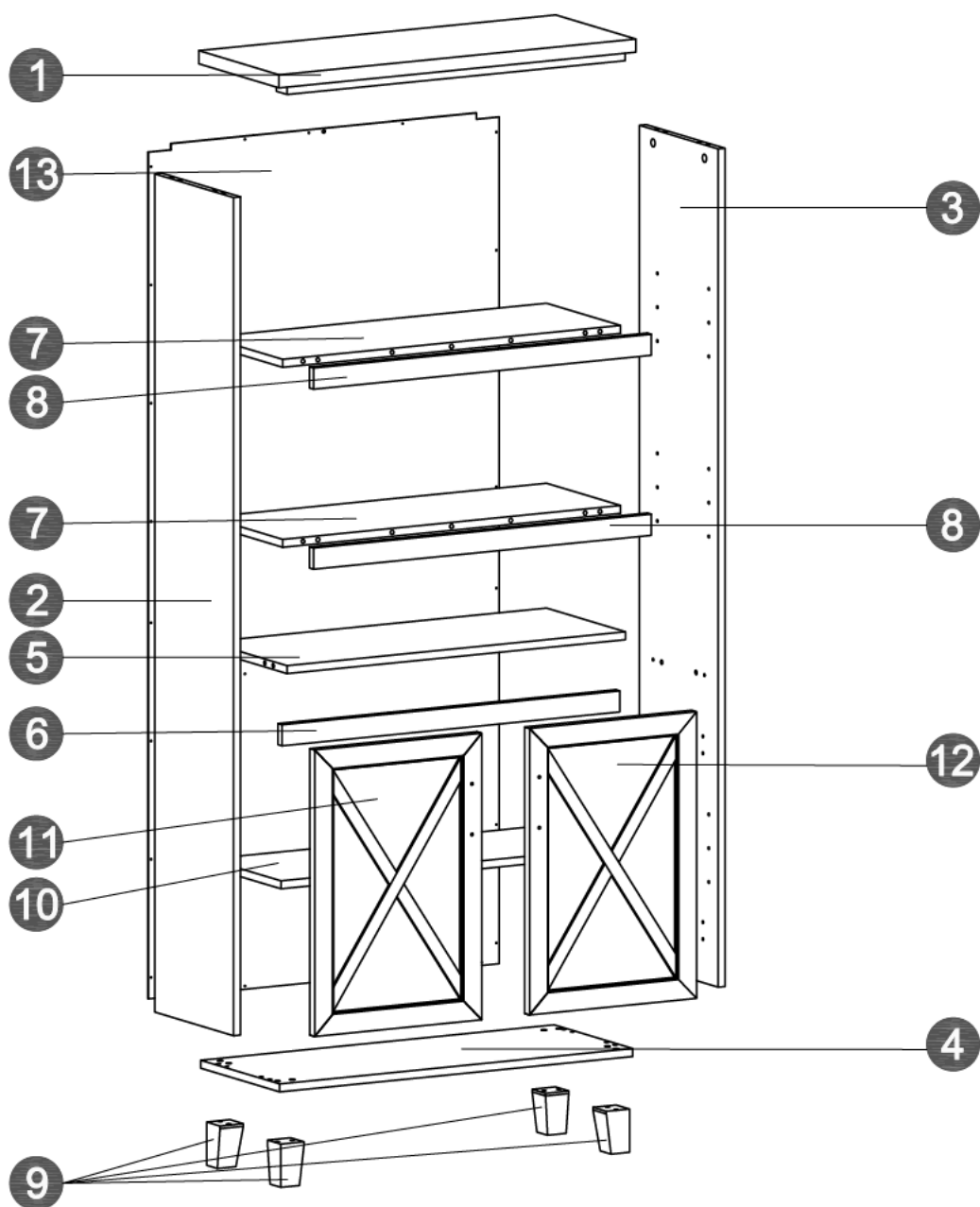
- Please read all instructions before beginning assembly
- Please make sure receive all the parcels to start the assembly
- For your safety and convenience, assembly by two people is recommended
- Use the parts and hardware lists to identify and separate each of the components included
- Save all packing materials until assembly is completed to avoid the accidental discarding of smaller parts or hardware






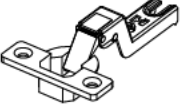
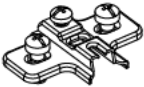




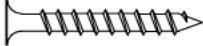
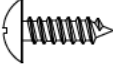
THANK YOU FOR PURCHASING


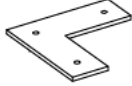
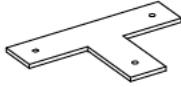

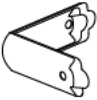
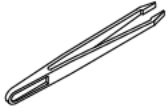
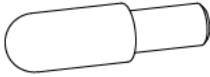
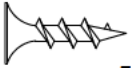

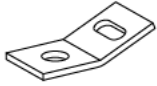

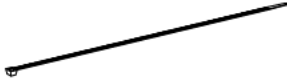
# PARTS LIST

1 X1	2 X1	3 X1	4 X1	5 X1
6 X1	7 X2	8 X2	9 X4	10 X1
11 X1	12 X1	13 X1		



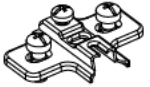
# HARDWARE LIST

Name	Part	Qty.	Spare
A		14	1
B		14	1
C		24	1
D		4	
E		4	
F		2	
G	 7/8" Screw	4	1
H	 3/4" Nail	29	2
I		3	
K	 2" Screw	12	1
N	 1/2" Screw	6	1

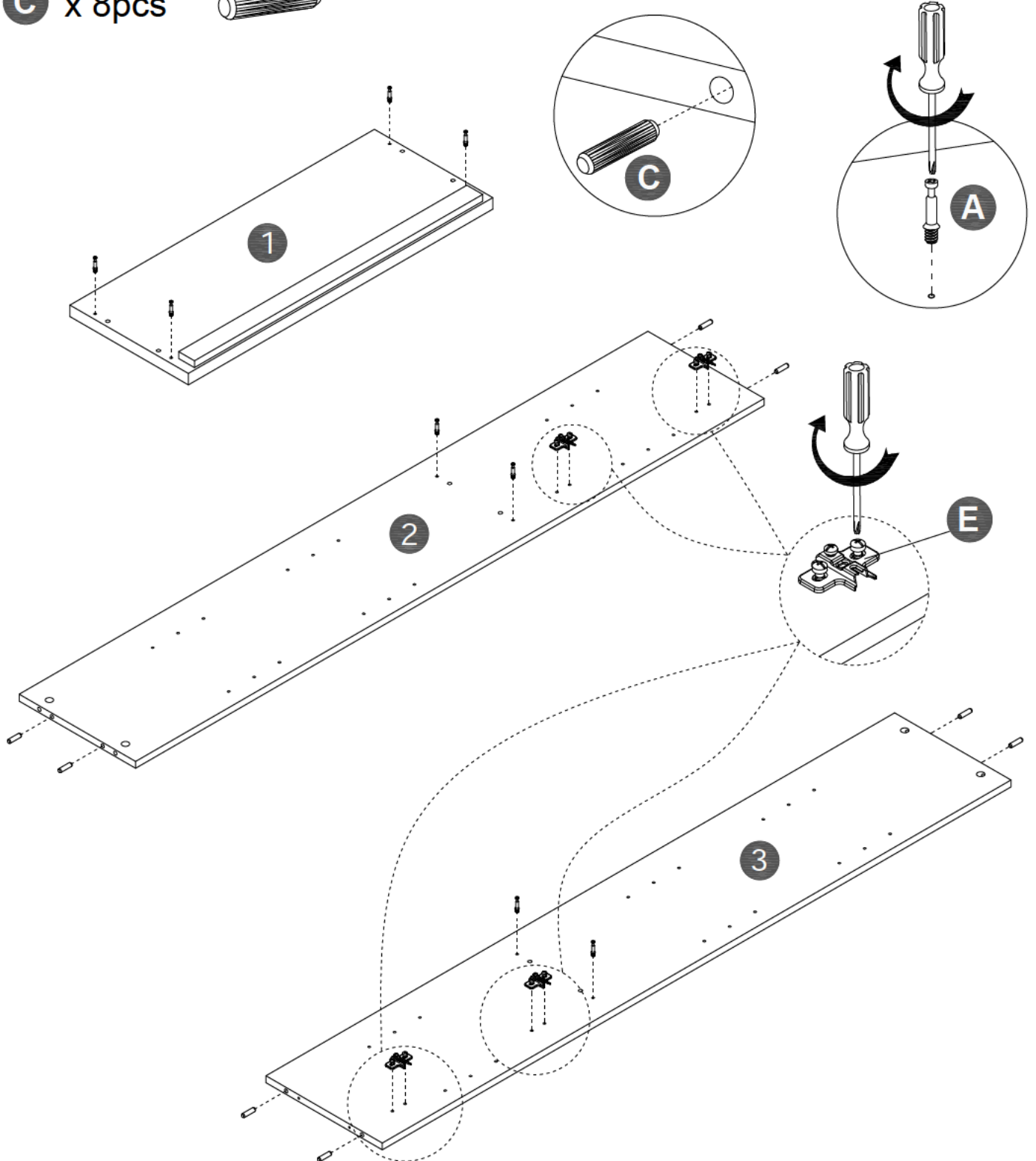
Name	Part	Qty.	Spare
O		18	2
P		4	
Q		2	
R	 5/6" nail	8	2
S		4	
U		1	
W		12	
Z	 5/8" Screw	8	1
U1		2	
U3		2	
U4		1	
U5		1	

# STEP 1

**A** x 8pcs 

**E** x 4pcs 

**C** x 8pcs 

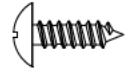


# STEP 2

**A** x 6pcs



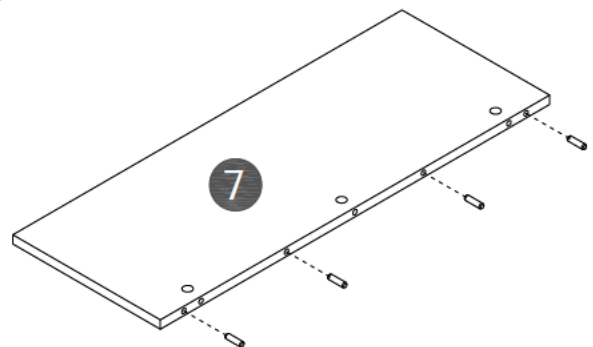
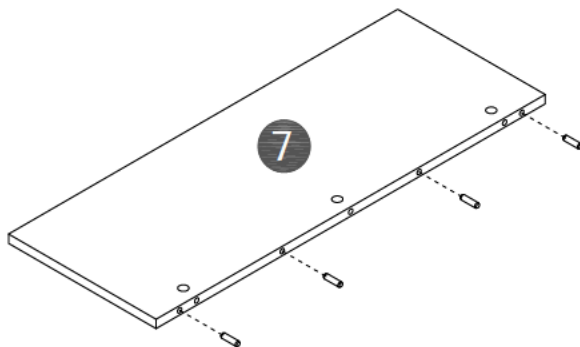
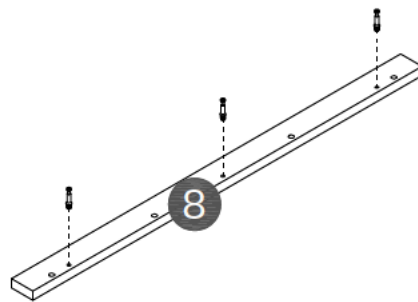
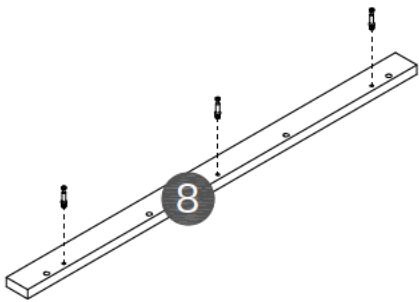
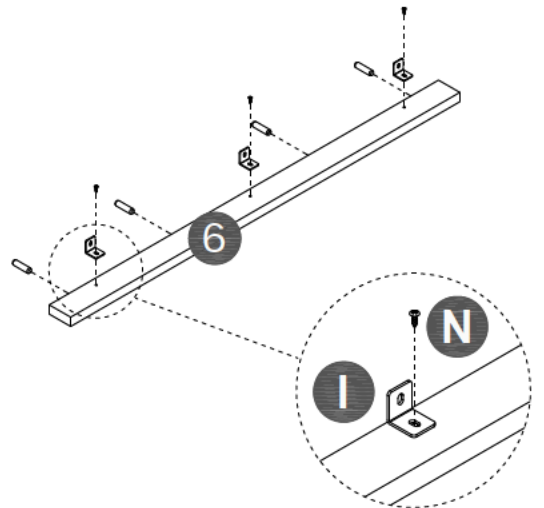
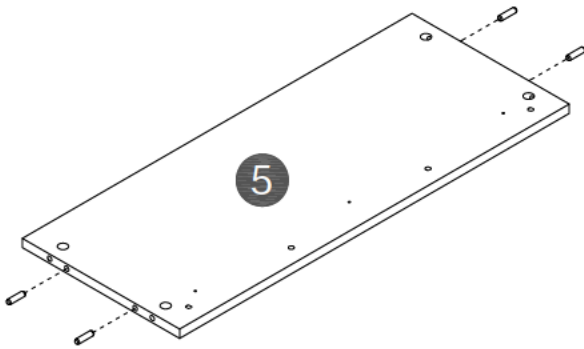
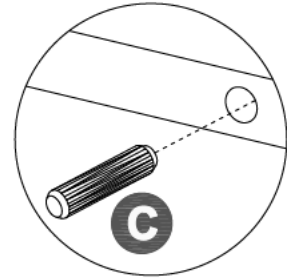
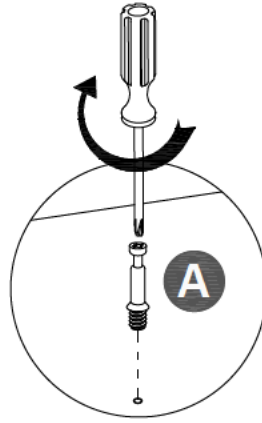
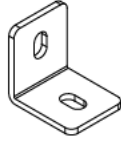
**N** x 3pcs



**C** x 16pcs

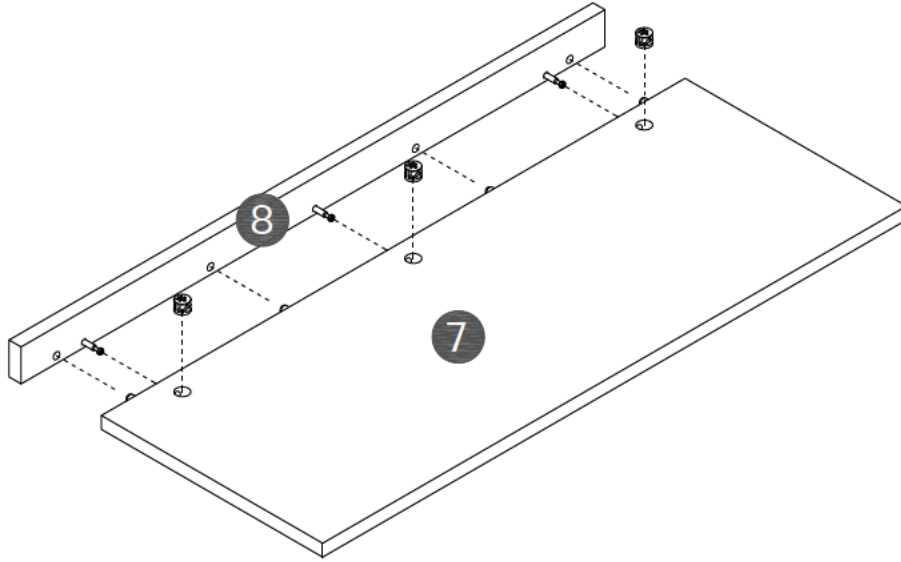
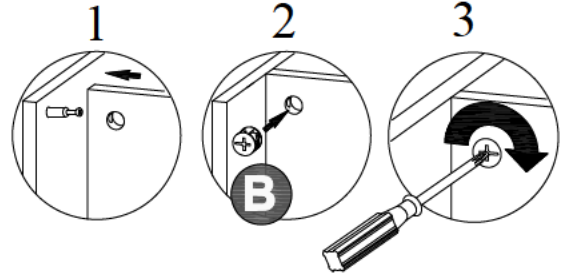


**I** x 3pcs



### STEP 3

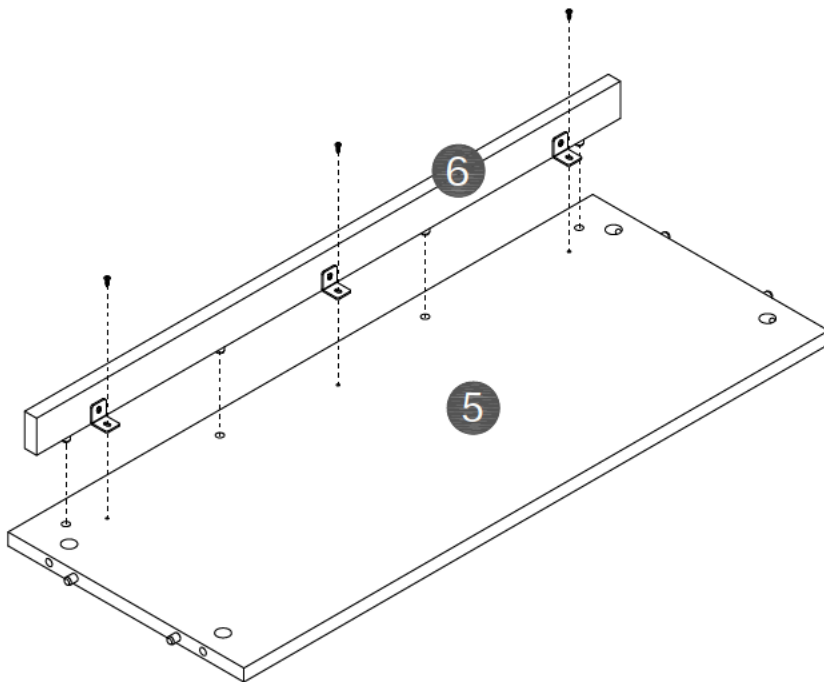
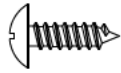
**B** x 6pcs



x 2

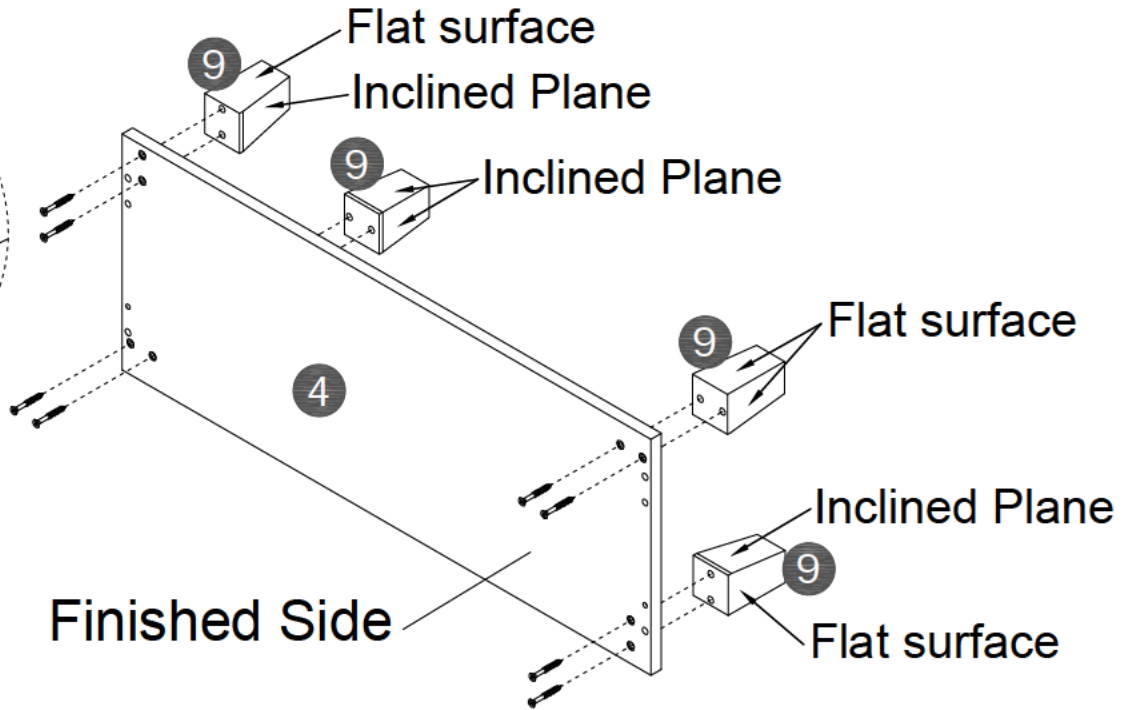
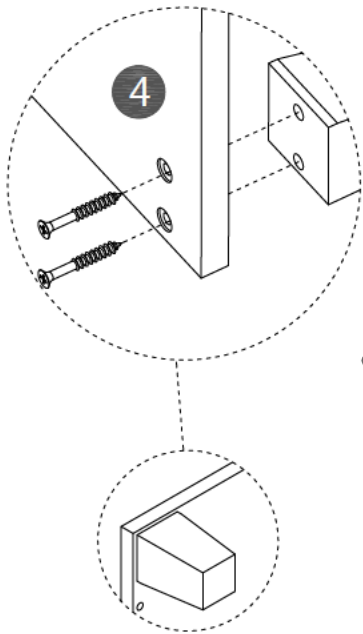
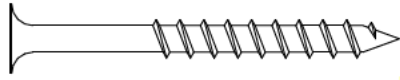
### STEP 4

**N** x 3pcs



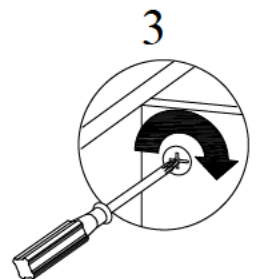
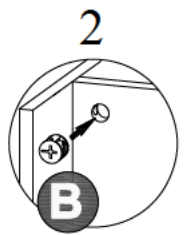
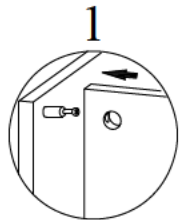
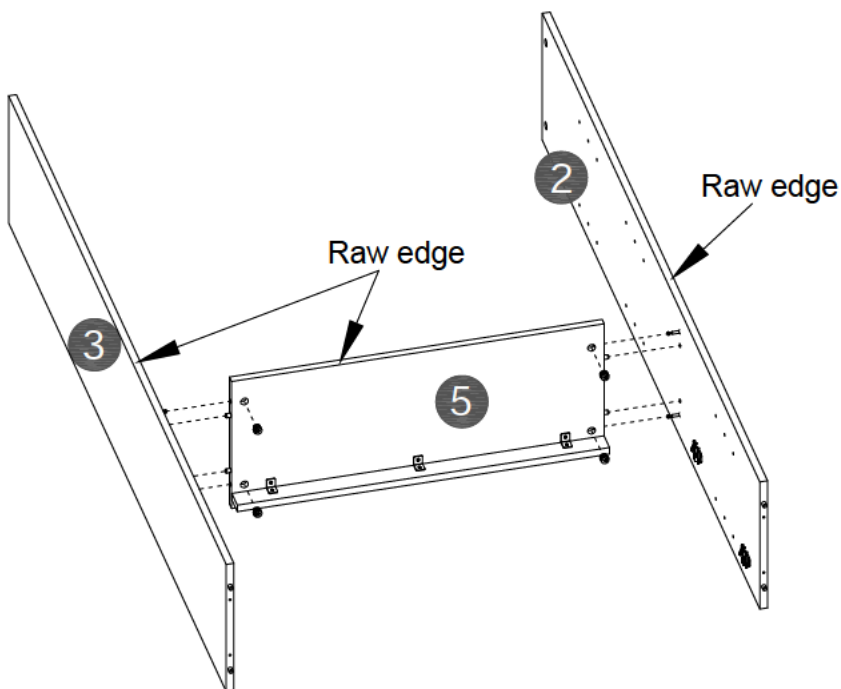
## STEP 5

**K** x 8pcs



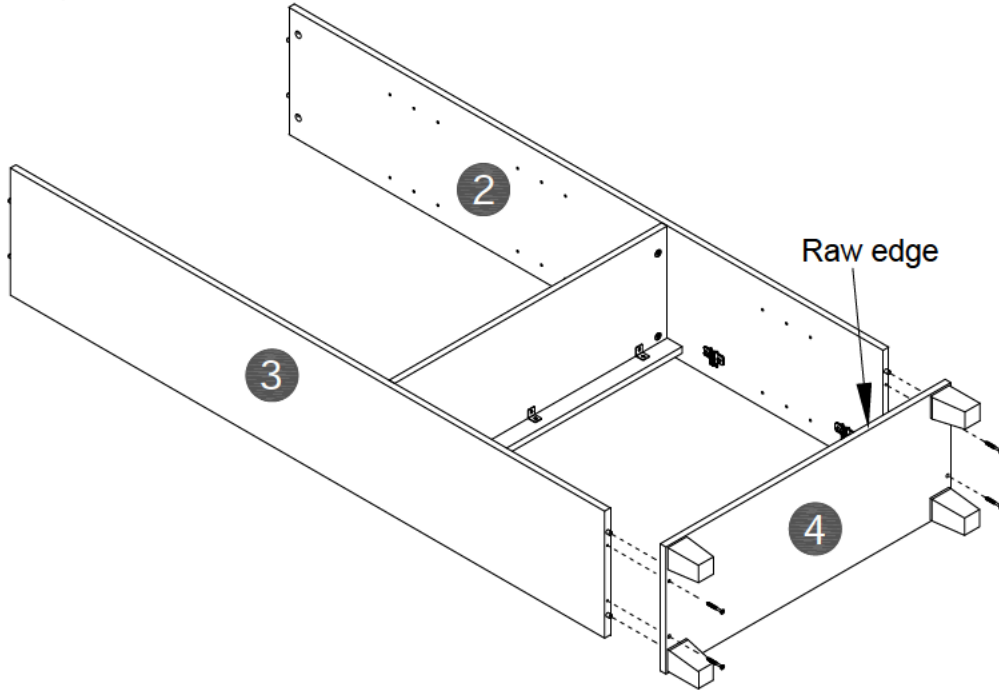
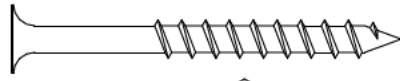
## STEP 6

**B** x 4pcs



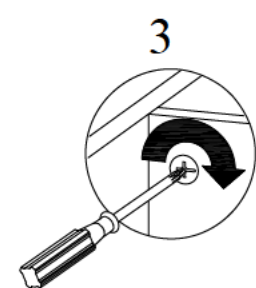
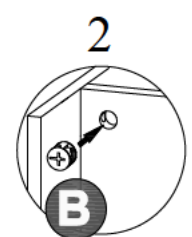
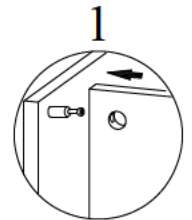
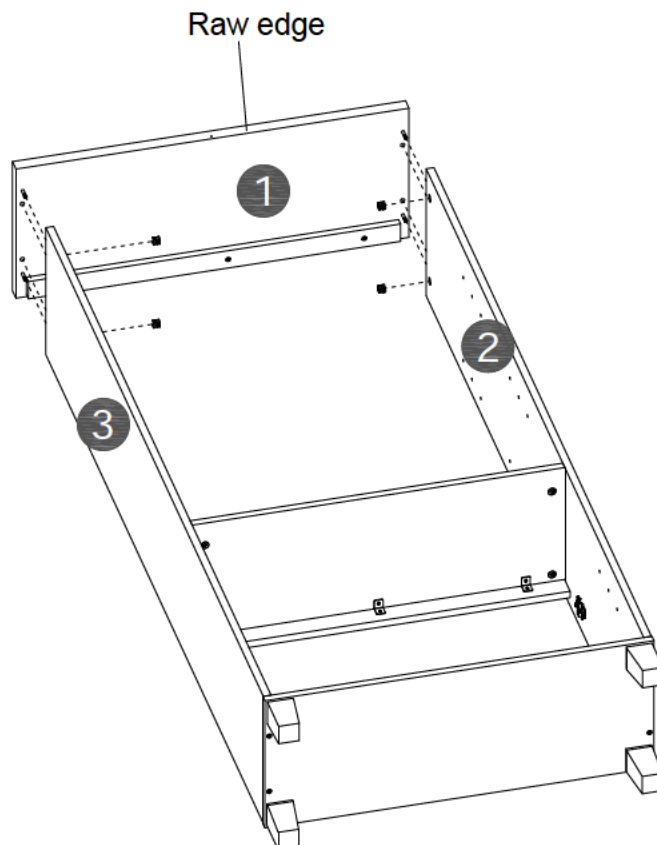
# STEP 7

**K** x 4pcs



# STEP 8

**B** x 4pcs



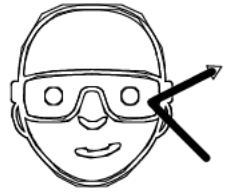
# STEP 9

**H** x 29pcs



No Screw

Raw Side



Safety glasses

Raw edge

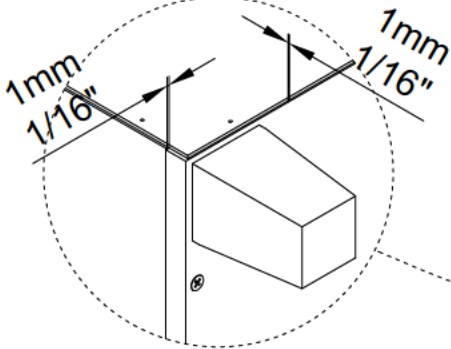
1

13

3

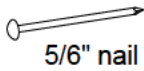
4

Raw edge



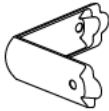
# STEP 10

**R** x 4pcs



5/6" nail

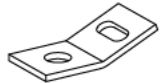
**S** x 2pcs



**U1** x 1pc

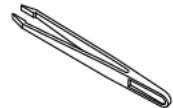


**U3** x 1pc



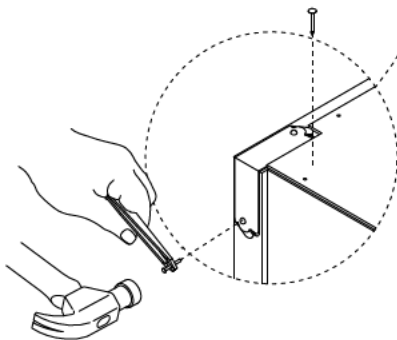
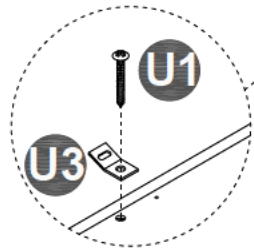
Connecting Plate

**U**




13

1

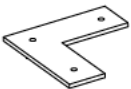


## STEP 11

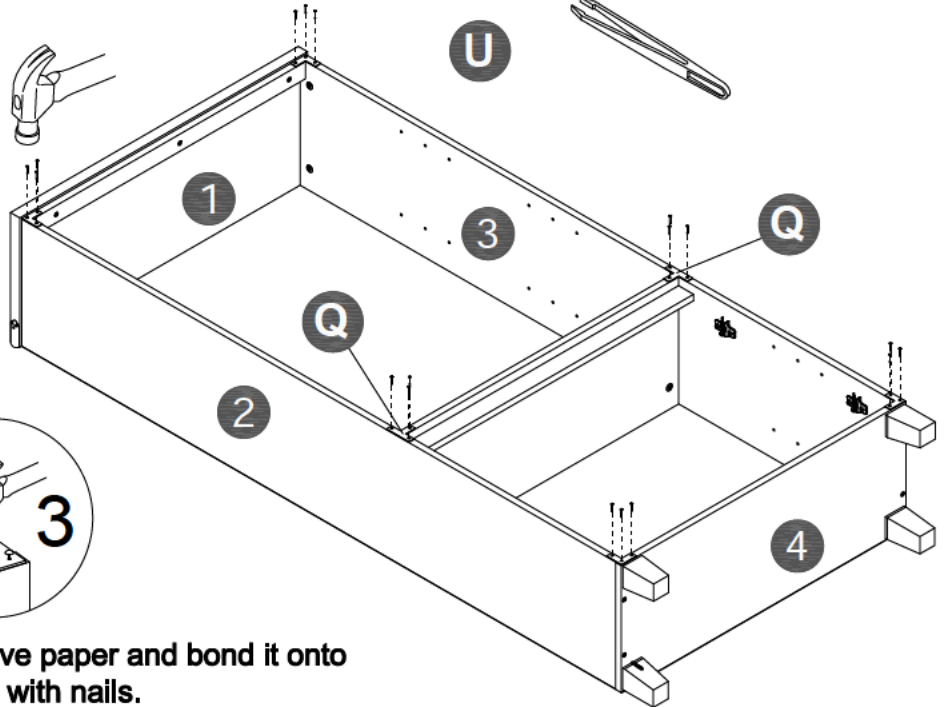
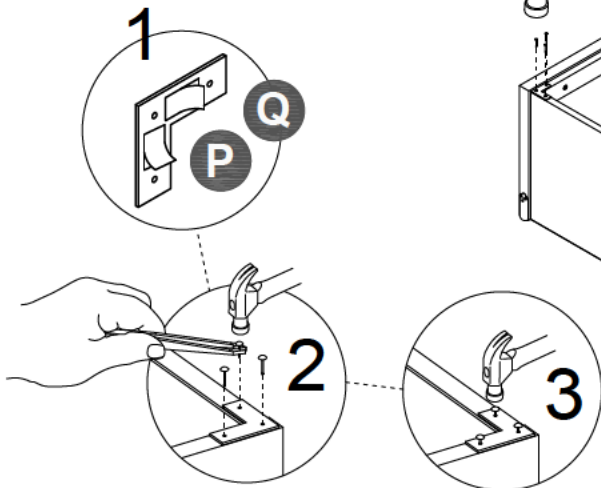
With assistant carefully flip unit over.

**O** x 18pcs 

**Q** x 2pcs 

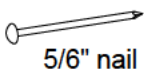
**P** x 4pcs 

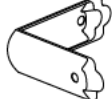
**U** 



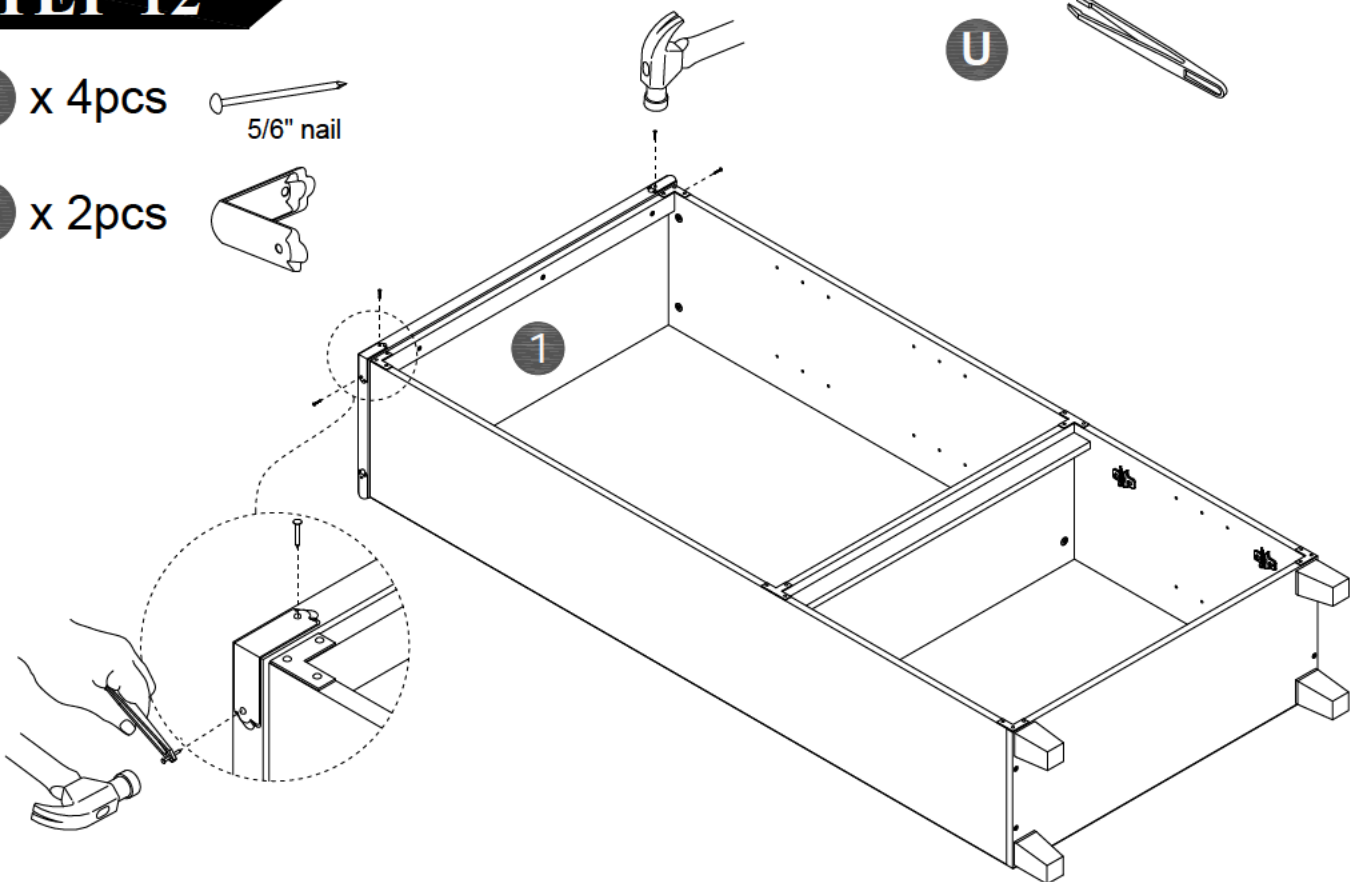
Peel off the adhesive sticker's protective paper and bond it onto the designated position before secure with nails.

## STEP 12

**R** x 4pcs   
5/6" nail

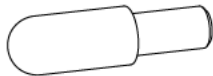
**S** x 2pcs 

**U** 

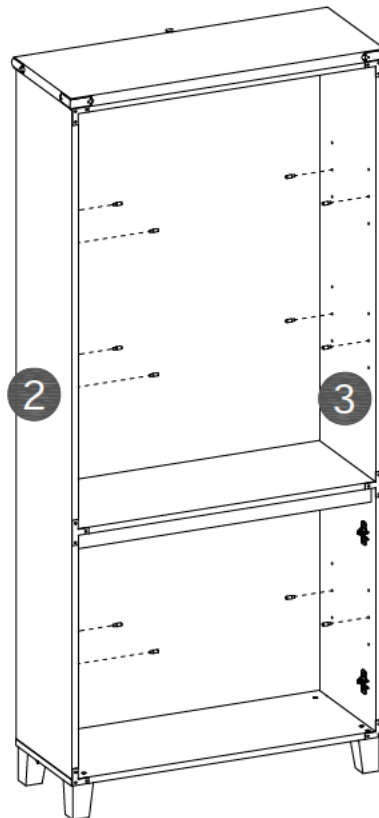


## STEP 13

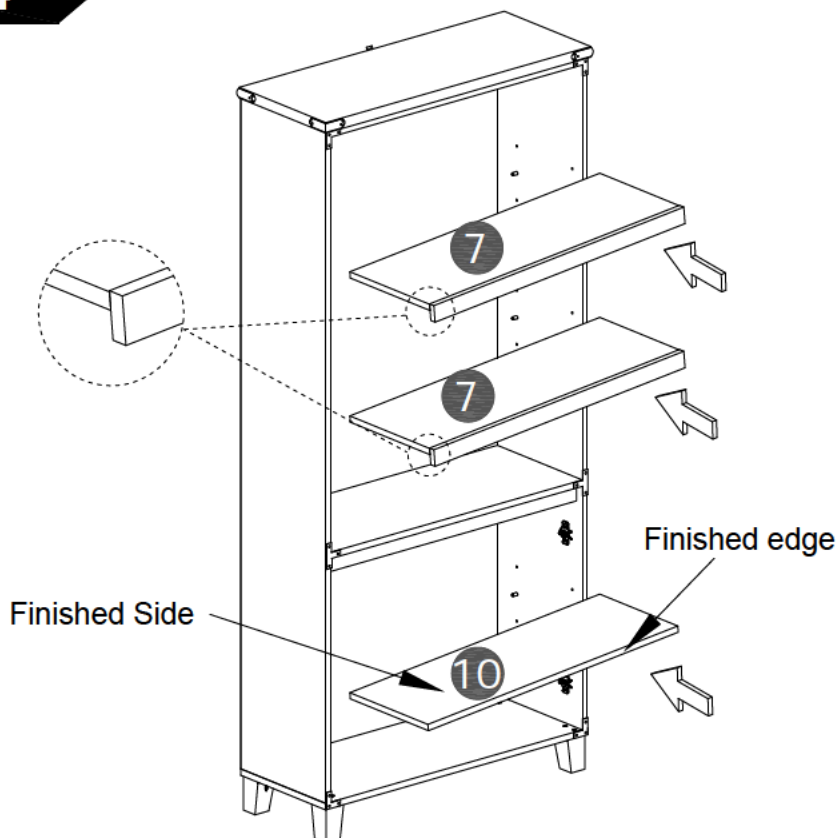
W x12pcs



With assistant carefully stand unit up.

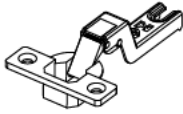


## STEP 14

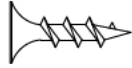


# STEP 15

**D** x 4pcs



**Z** x 8pcs



**F** x 2pcs

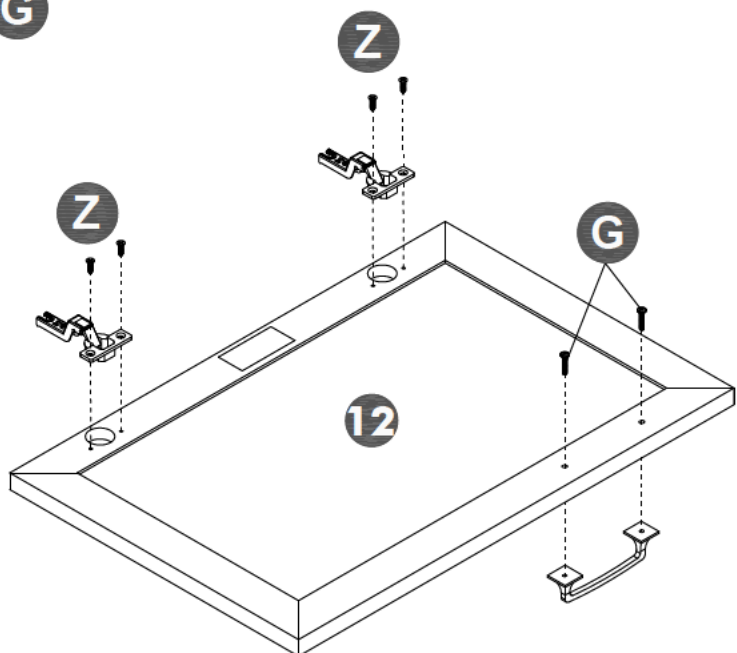
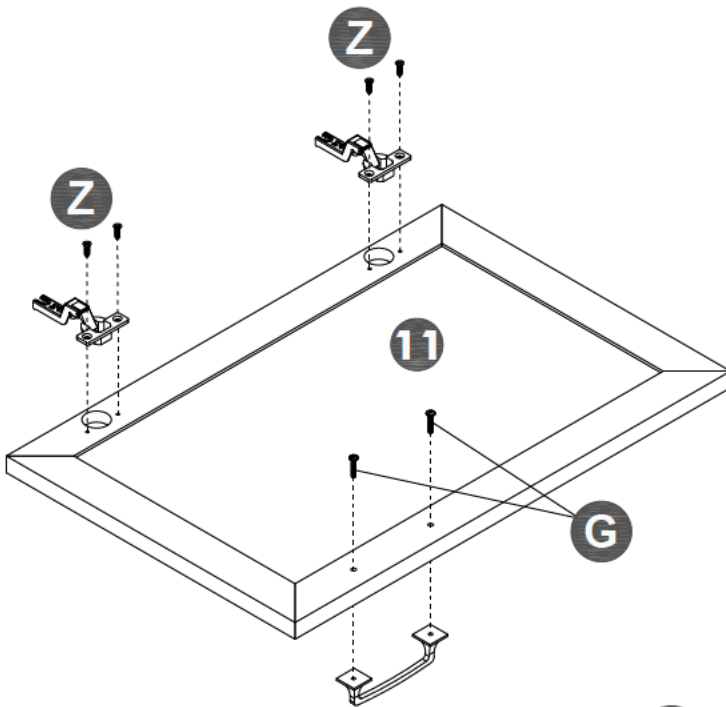


**G** x 4pcs



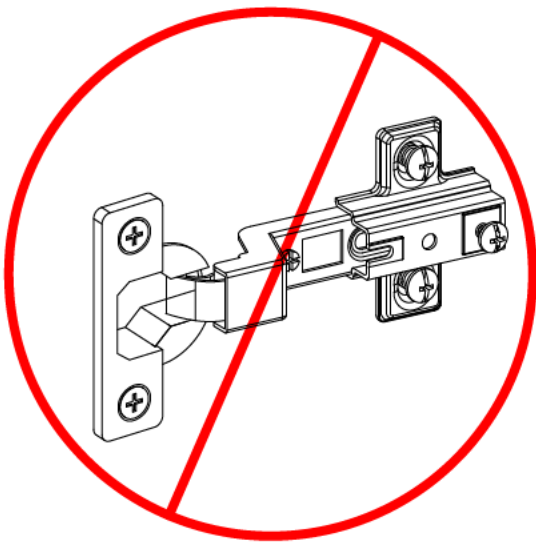
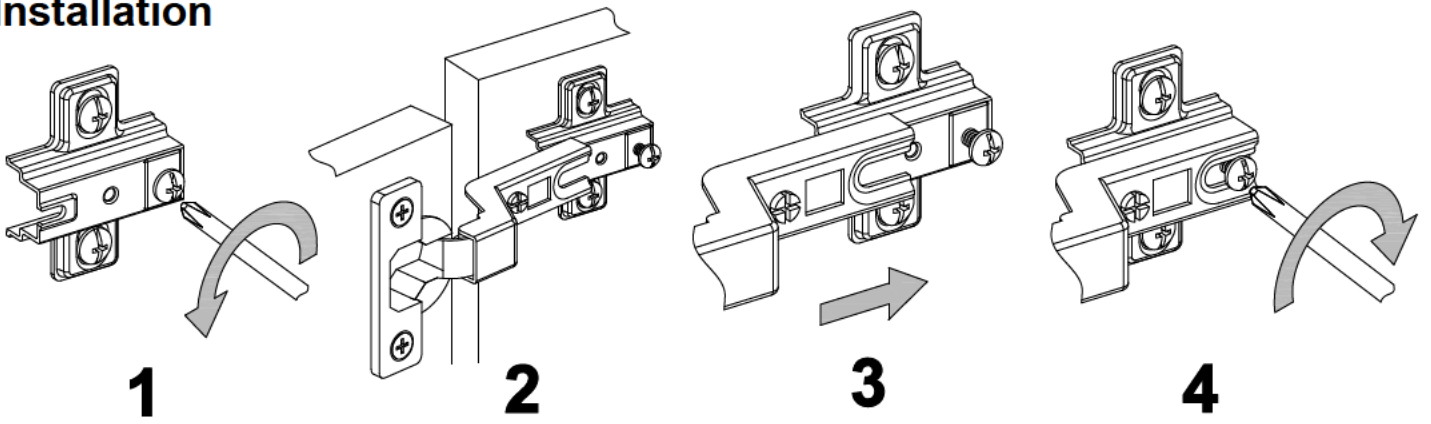
## WARNING

**Caution, Storing electronic equipment may result in equipment overheating.**  
Shelves located behind doors are not intended for storing electronic equipment. Placing electronic equipment in this area may result in equipment overheating

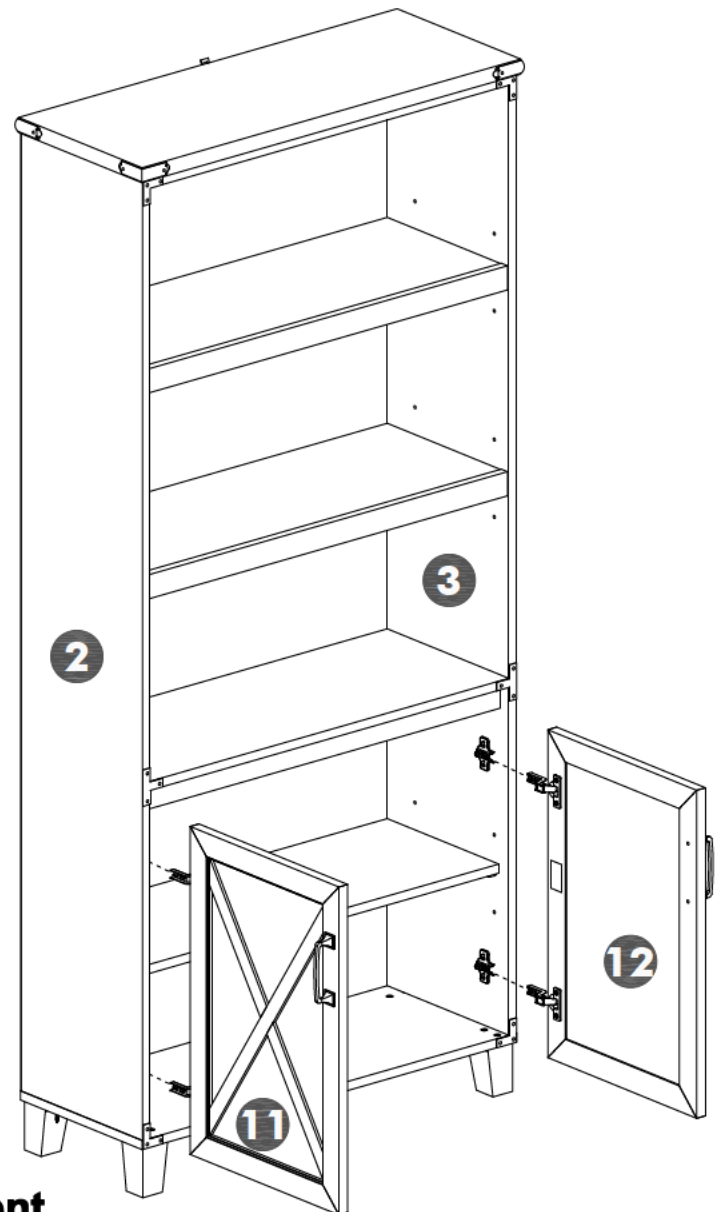
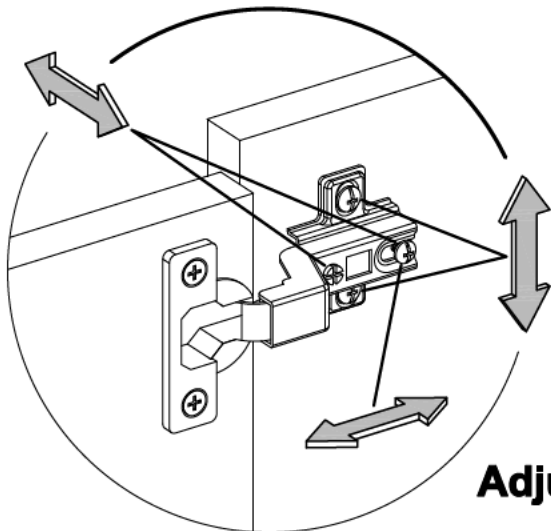


# STEP 16

## Installation



**DO NOT Insert  
Hinge beneath mount**

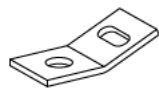


# STEP 17

**U<sub>1</sub>** x 1pc

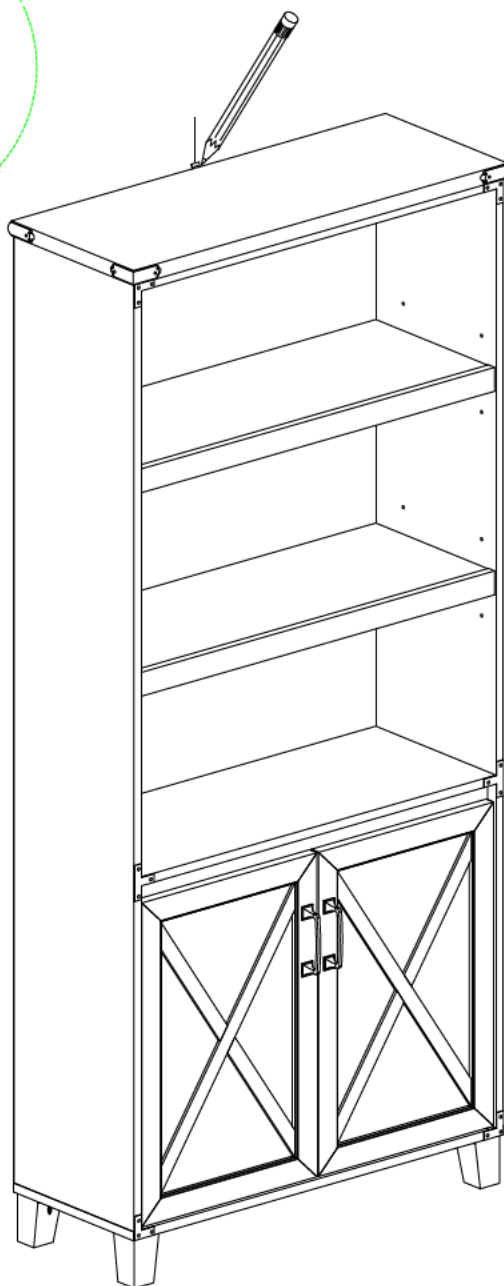
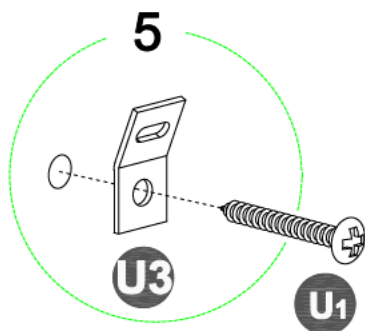
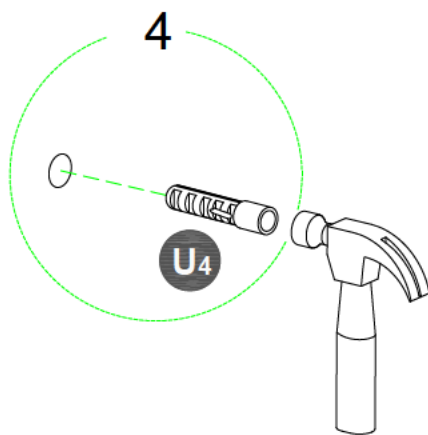
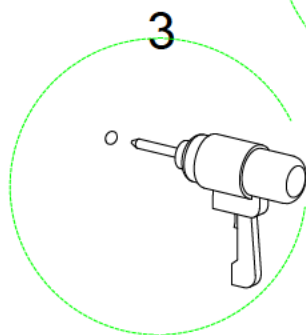
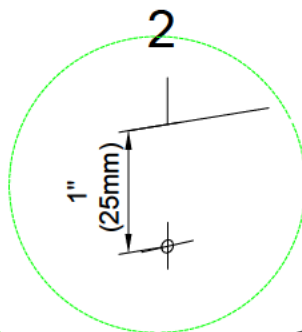
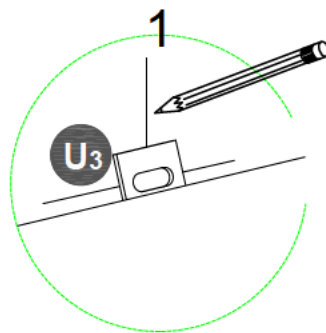
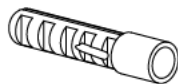


**U<sub>3</sub>** x 1pc



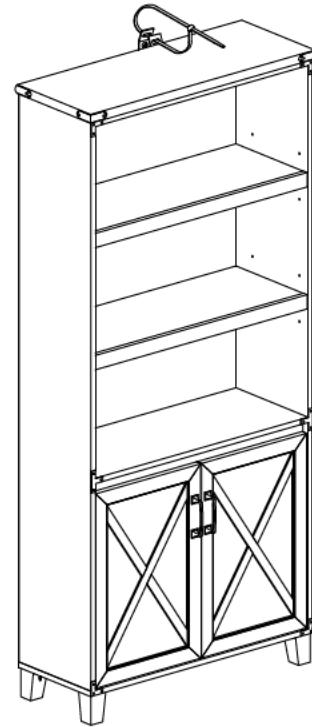
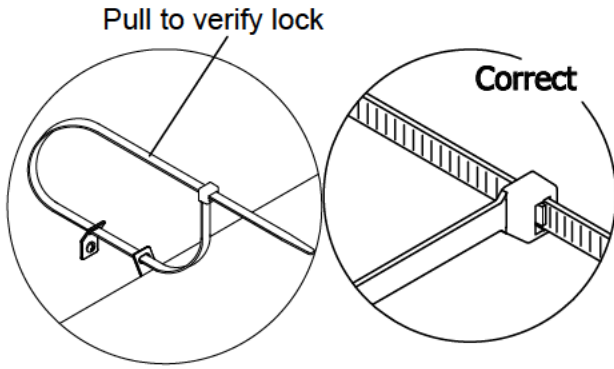
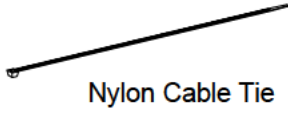
Connecting Plate

**U<sub>4</sub>** x 1pc

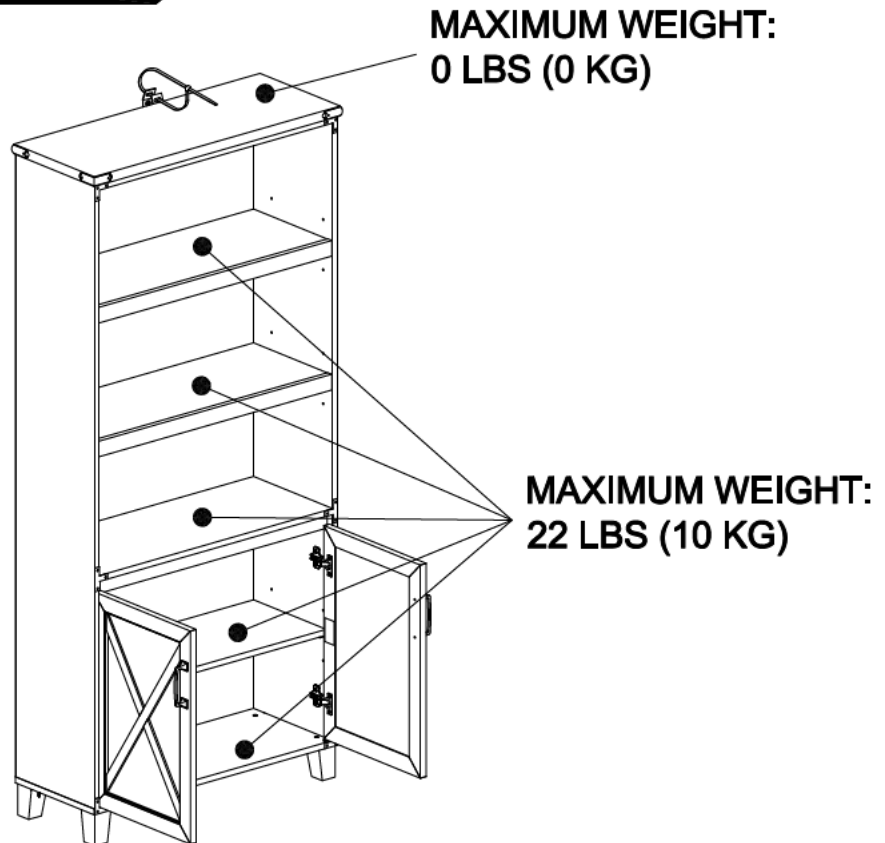


# STEP 18

U5 x 1pc



## Maximum weight capacities



## What is Proposition 65?

Proposition 65 is a California law that requires warning labels on products that may contain one of more than 800-plus chemicals or ingredients that the California Office of Environmental Health Hazard Assessment(OEHHA) has deemed to cause cancer or other reproductive toxicity. chemicals and elements on this list include wood dust , brass , and other everyday substances, which can be found in very common household items, such as : lamps , tableware , jewelry , crystal glasses , electric cords , beauty products , automobiles , and furniture.

## Why Did I Find a Proposition 65 Warning on My Home Goods Product?

We include Proposition 65 warnings on all of our products because there is always a chance that one of the 800-plus common chemicals and ingredients listed under this law could potentially be on our furniture or packing materials. We risk large fines under this law , if we don't include this warning.

## Should I worry?

We realize you may be worried finding this warning on our products , but we want to reassure you that the hazardous exposure limits for any of these chemicals have never been found on furniture products that we've shipped to our customers. Additionally, this warning label is very common and can be found on almost every piece of furniture sold in the state of California.

## Just How Common Are Proposition 65 Warnings?

Proposition 65 warnings have become so common in California that it is hard to take a trip to local bank, grocery store , or restaurant without finding at least one warning. In fact, even the Disney Land Resort has a Proposition 65 warning:

