

# artos<sup>®</sup>

## F902-45

## INSTALLATION GUIDE

flexible hose shower kit with  
integrated water connection  
round + square

BRUSHED NICKEL(BN)



CHROME(CH)



BLACK (BK)



# artos<sup>®</sup>

## F902-45

## OPERATING SPECIFICATIONS

flexible hose shower kit with  
integrated water connection  
round + square



### FEATURES

Integrated Water Outlet  
60" Flexible Hose

### OPERATING PRESSURE

Minimum: 15 psi  
Maximum: 75 psi  
Above 90psi it may be necessary to install a pressure reducer

### OPERATING TEMPERATURE

Maximum: 176°

### FLOW CAPACITY

1.8 USGPM

### INLET/OUTLET

1/2" Female NPT

### REQUIREMENTS

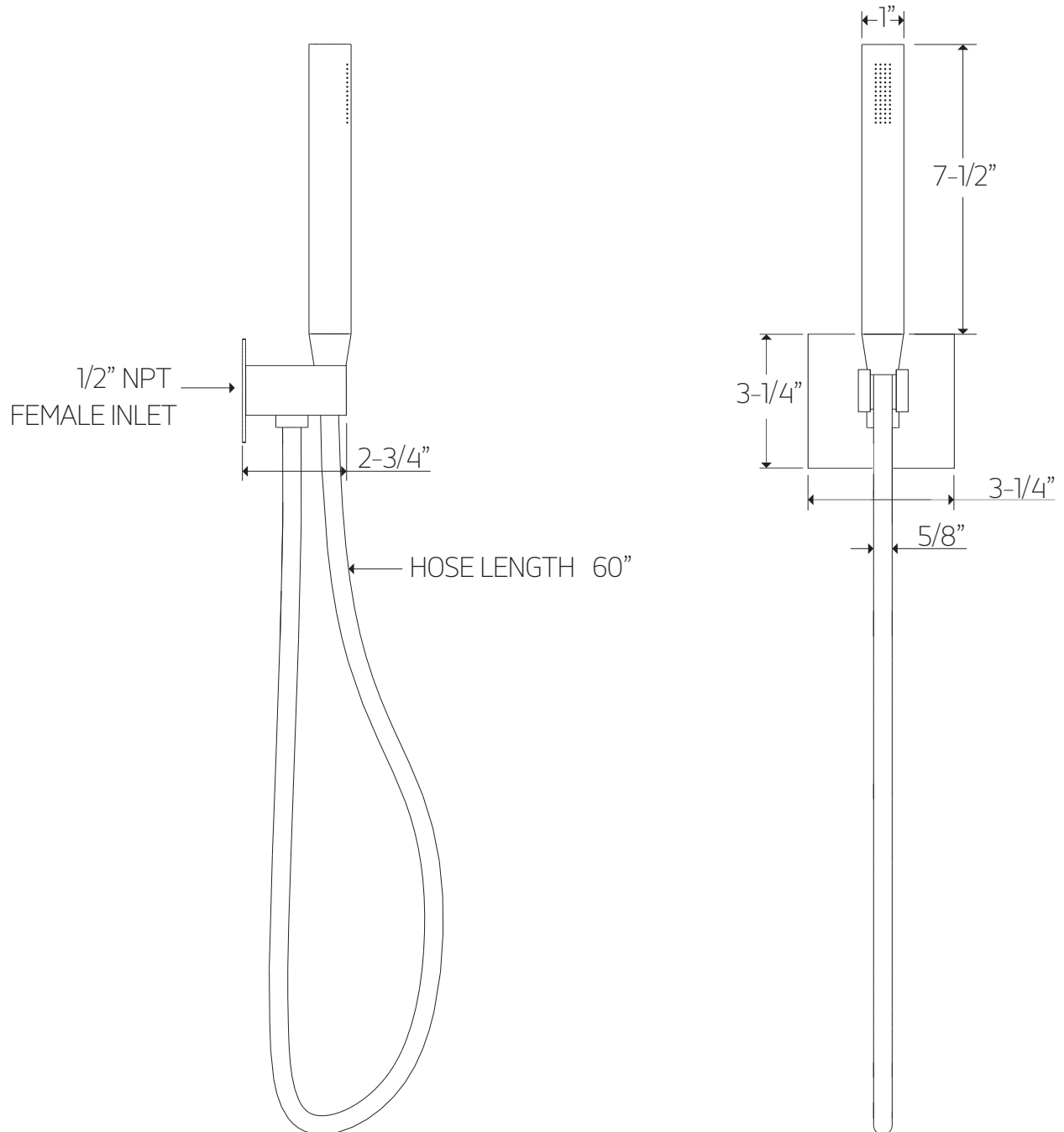
This unit requires a control

# artos<sup>®</sup>

## F902-45

## PRODUCT DIMENSIONS

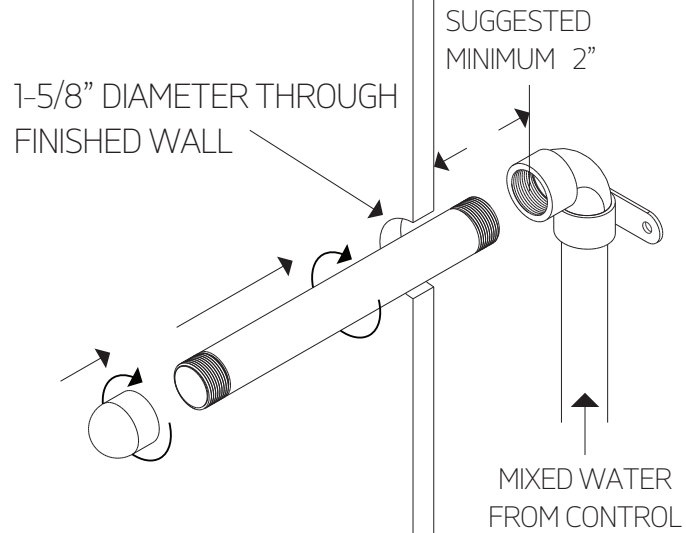
flexible hose shower kit with  
integrated water connection  
round + square



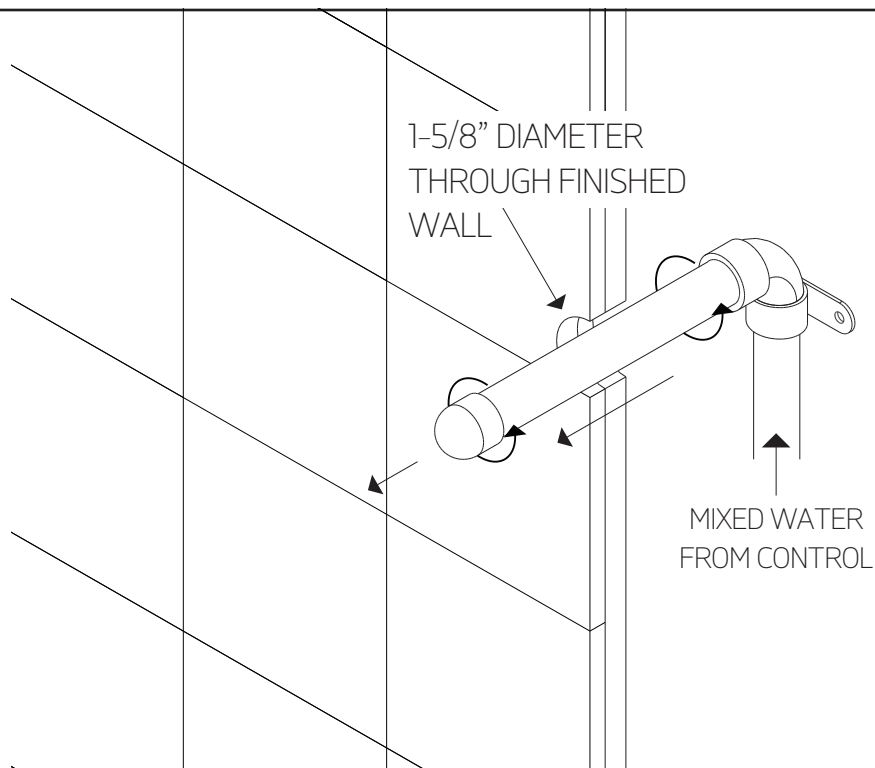
## F902-45

flexible hose shower kit with  
integrated water connection  
round + square

### STEP 1

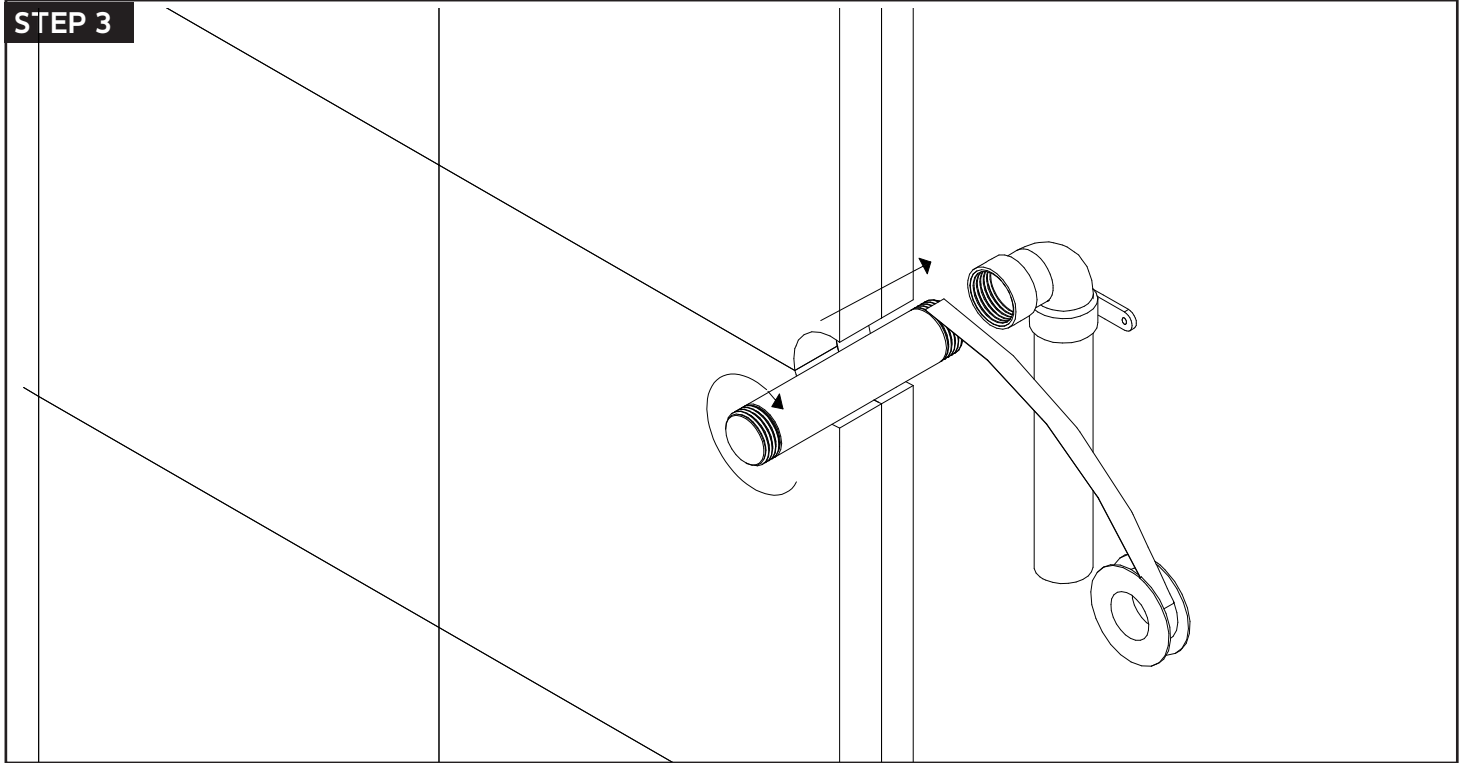


### STEP 2

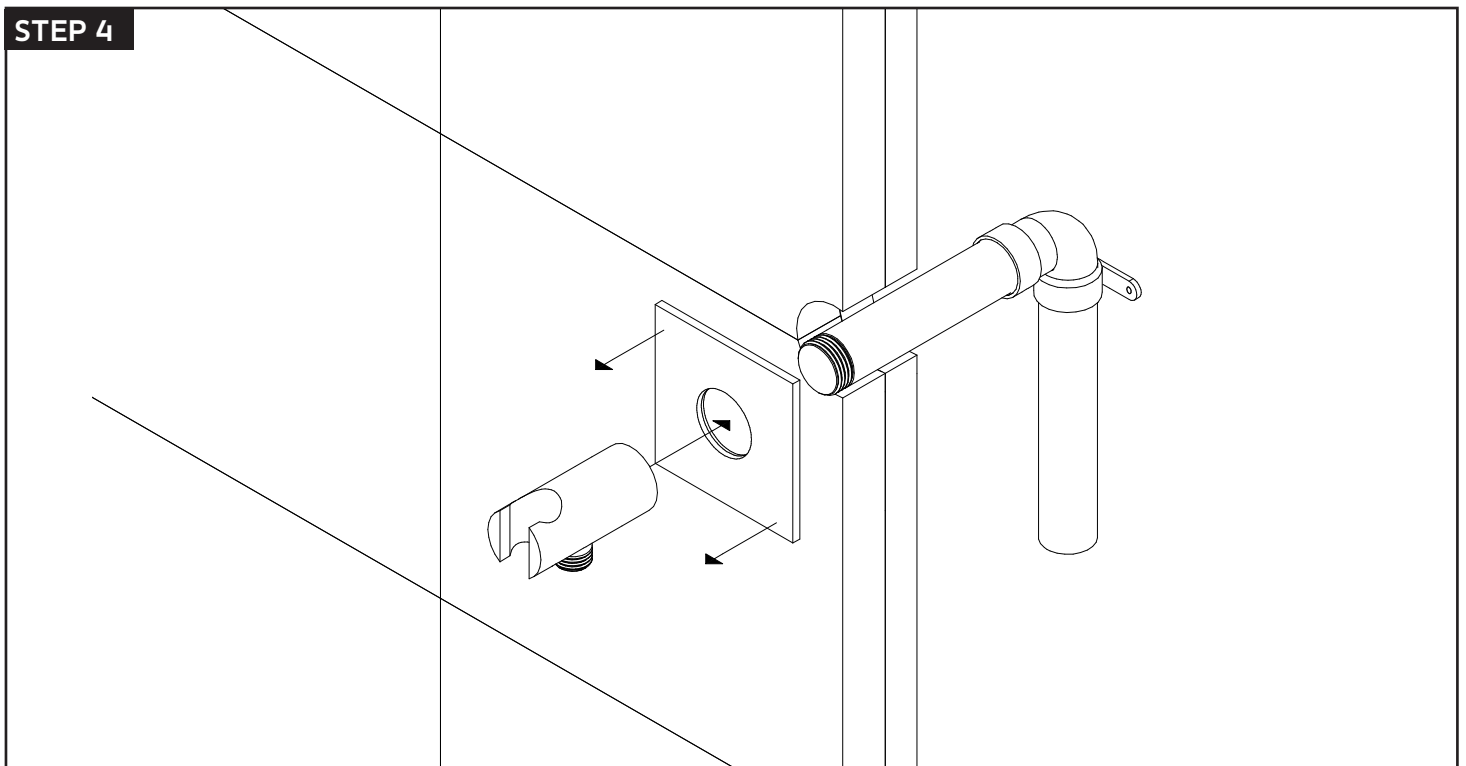


# INSTALLATION STEPS

## STEP 3



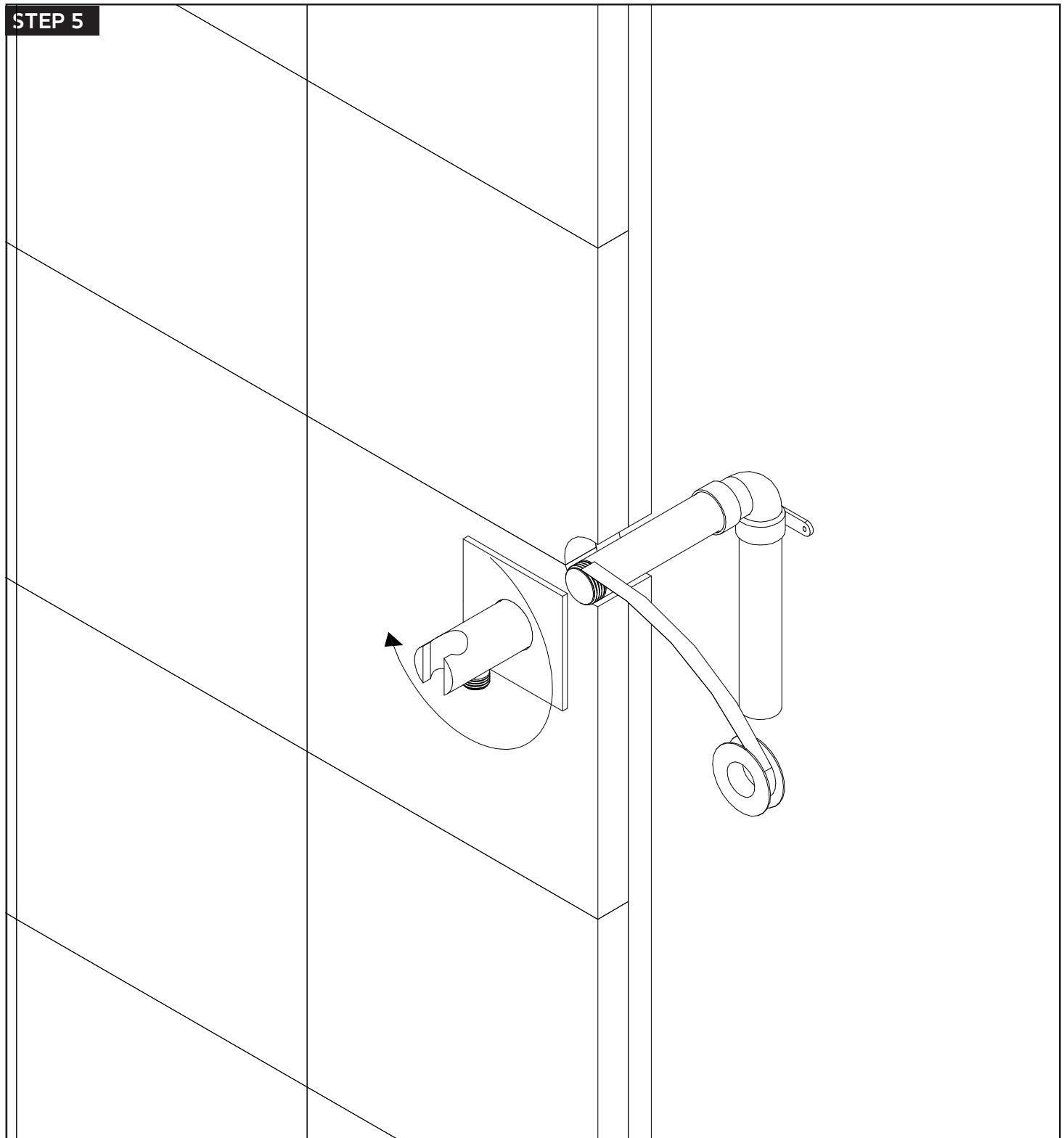
## STEP 4



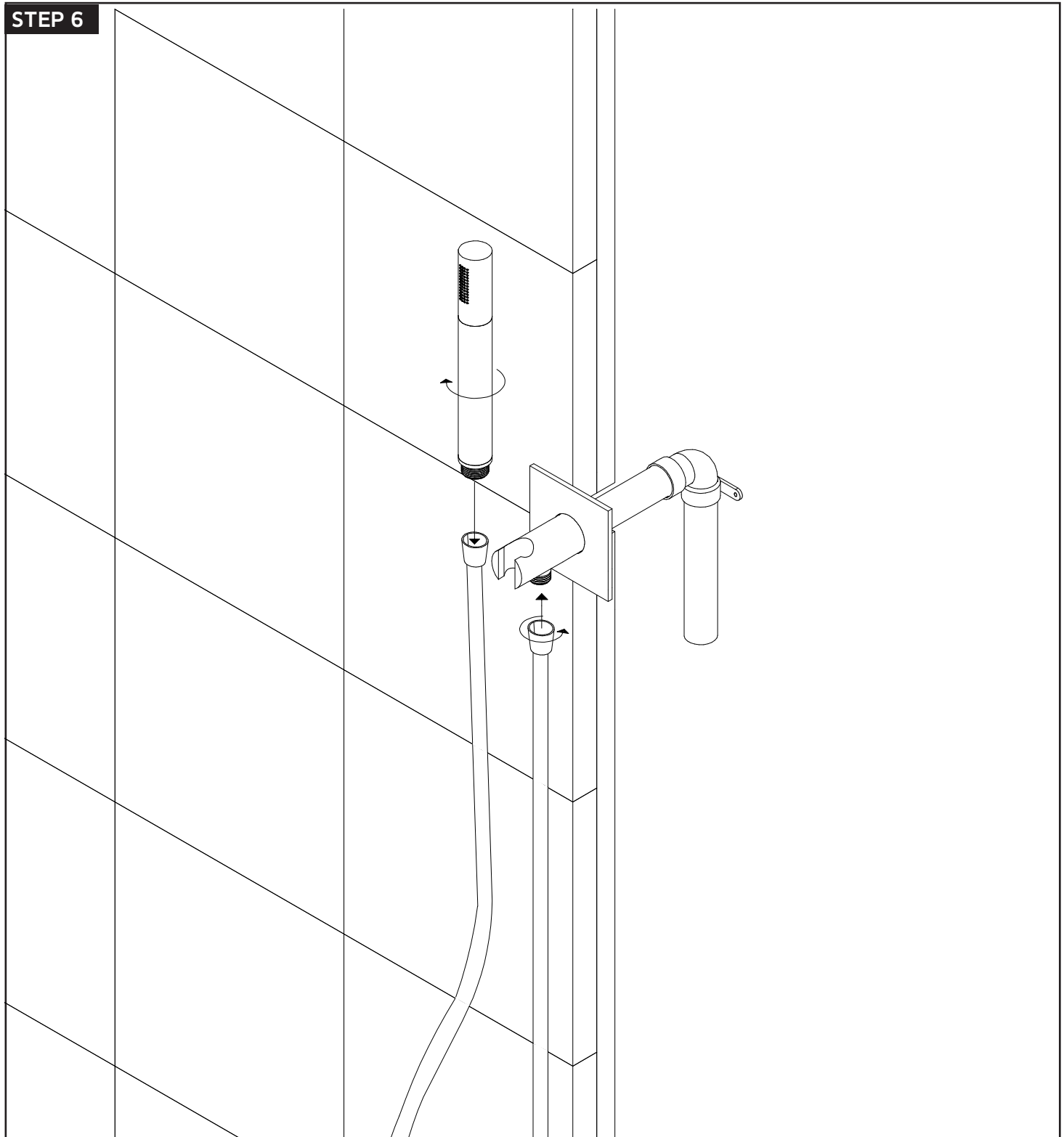
# artos<sup>®</sup>

## F902-45

flexible hose shower kit with  
integrated water connection  
round + square



flexible hose shower kit with  
integrated water connection  
round + square



flexible hose shower kit with  
integrated water connection  
round + square

