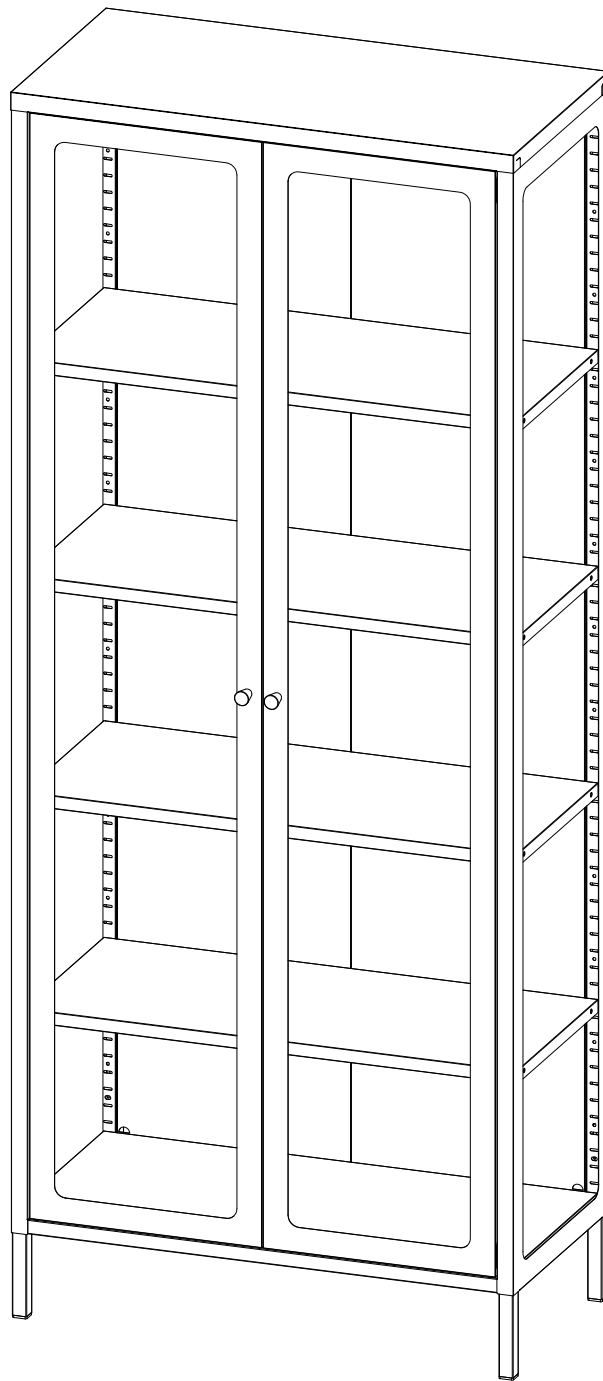


# Metal Glass Display Cabinet Assembly Manual



## **Dear Valued Customer,**

Thank you for your purchase! We sincerely appreciate your choice and trust in our product.

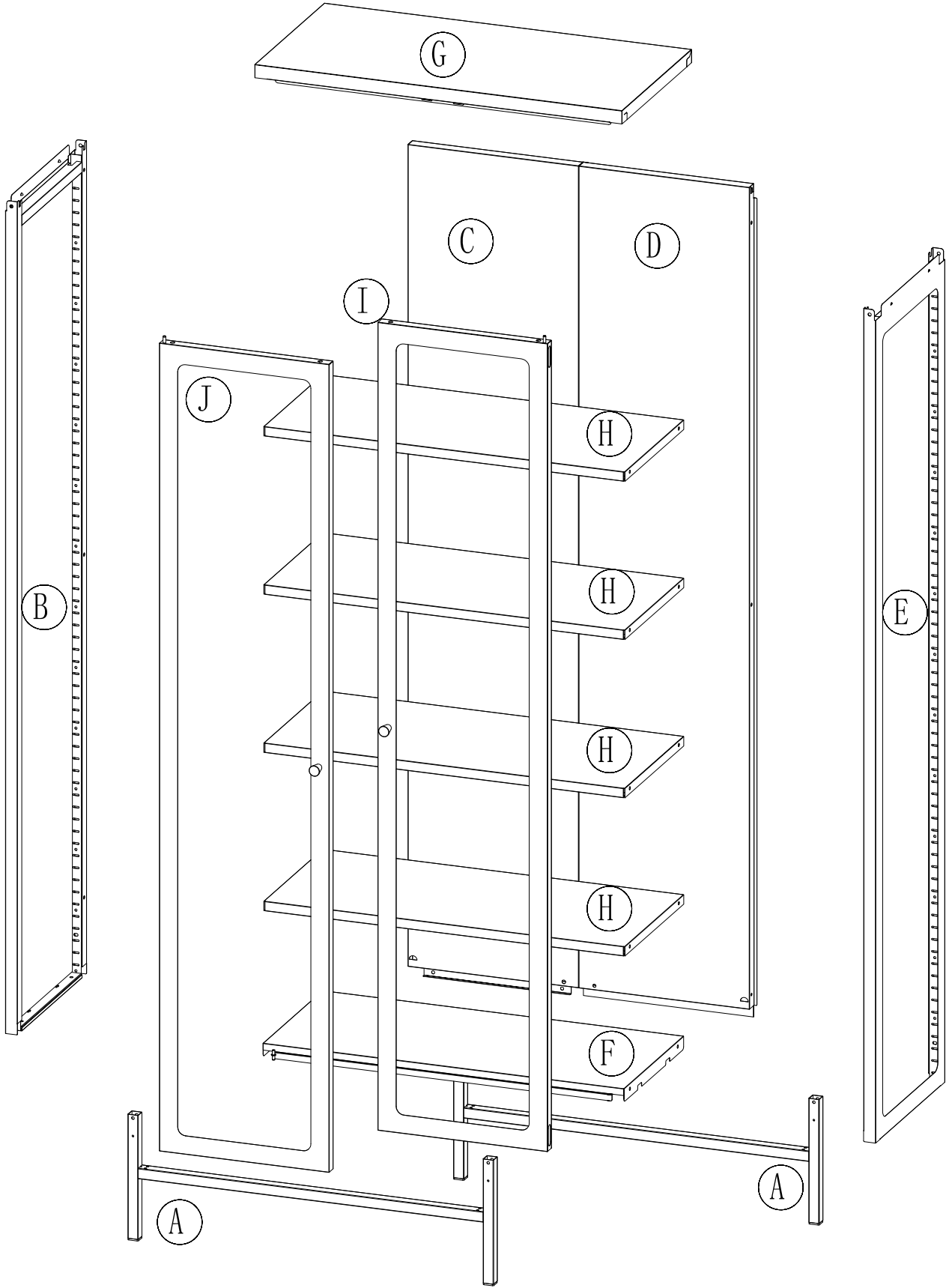
We are dedicated to providing high-quality products and after-sales service, including:

- ✔ **Installation videos and guidance**
- ✔ **Free replacement of damaged parts ( please provide damage pictures and part numbers)**

If you need assistance or have any questions, please feel free to contact us through the purchasing platform. We are always here to help!

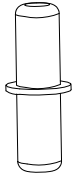
Thank you once again for your support!





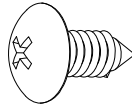
# Accessories List

1



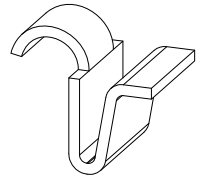
Bolts × 4

2



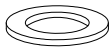
Screws × 33

3



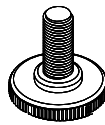
Holders × 16

4



Plastic Rings×4

5



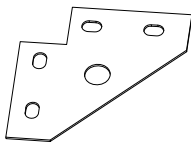
Adjustable Feet×4

6



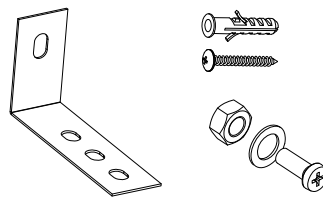
Puller handle, Screws×2

7



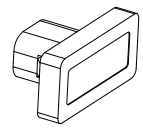
Triangles×4

8



L-type  
anti tilt films ×2

9



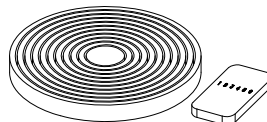
Magnetic  
attractions×4

10



Double-sided  
tapes ×3

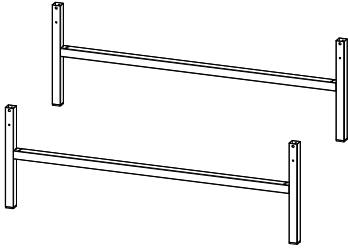
11



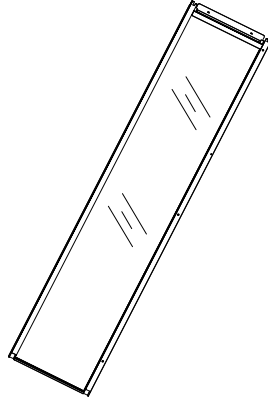
Led strip ×1

# Parts List

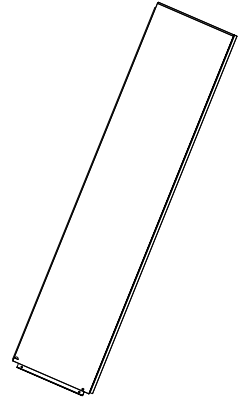
(A) Legs x 2



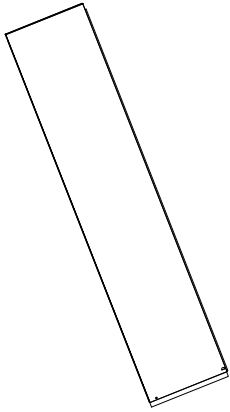
(B) Side panel, left x 1



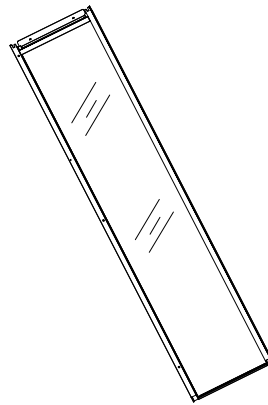
(C) Back panel, left x 1



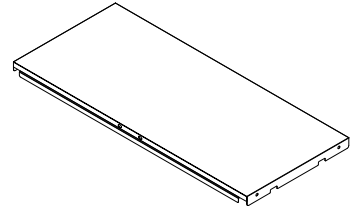
(D) Back panel, right x 1



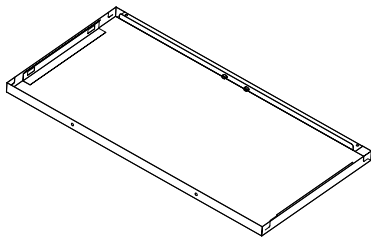
(E) Side panel, right x 1



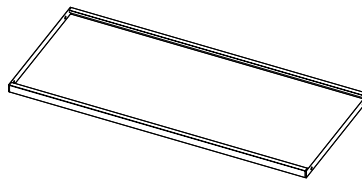
(F) Bottom panel x 1



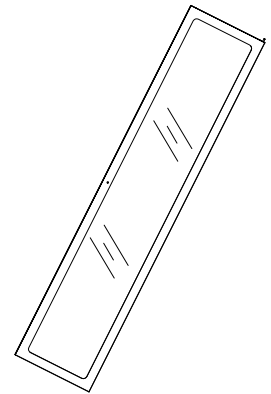
(G) Top cover panel x 1



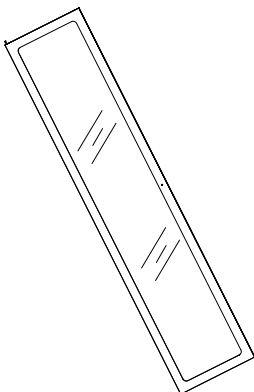
(H) Shelves x 4



(I) Door, right x 1



(J) Door, left x 1



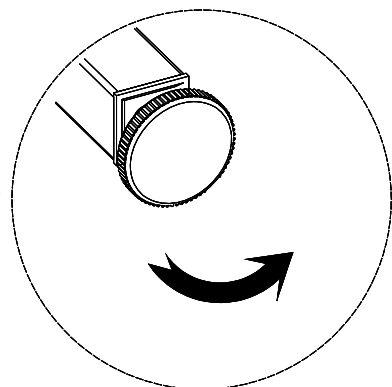
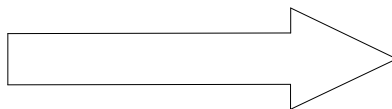
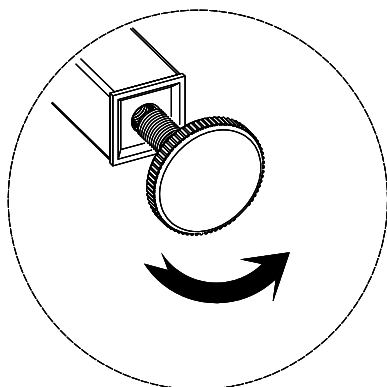
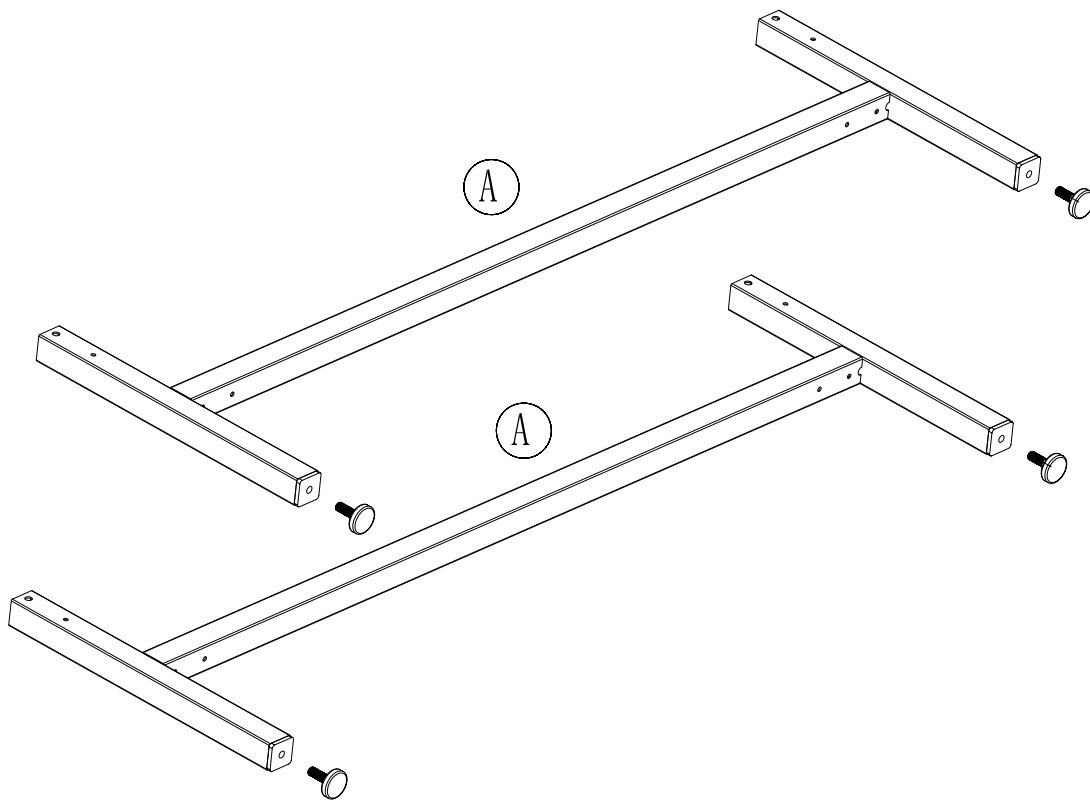
# Step 1

Install the adjustable feet on the leg A

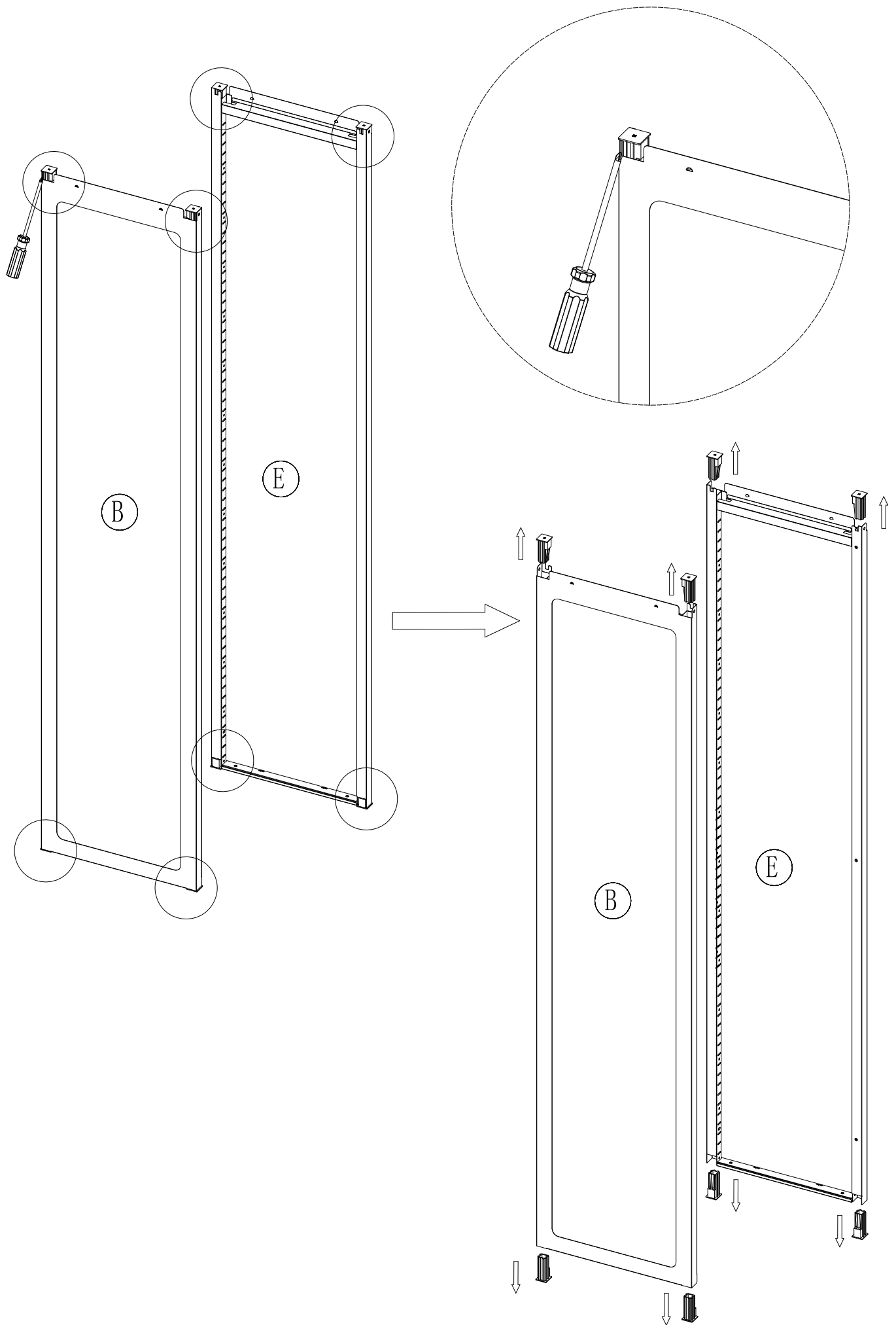
5



Adjustable Feets×4

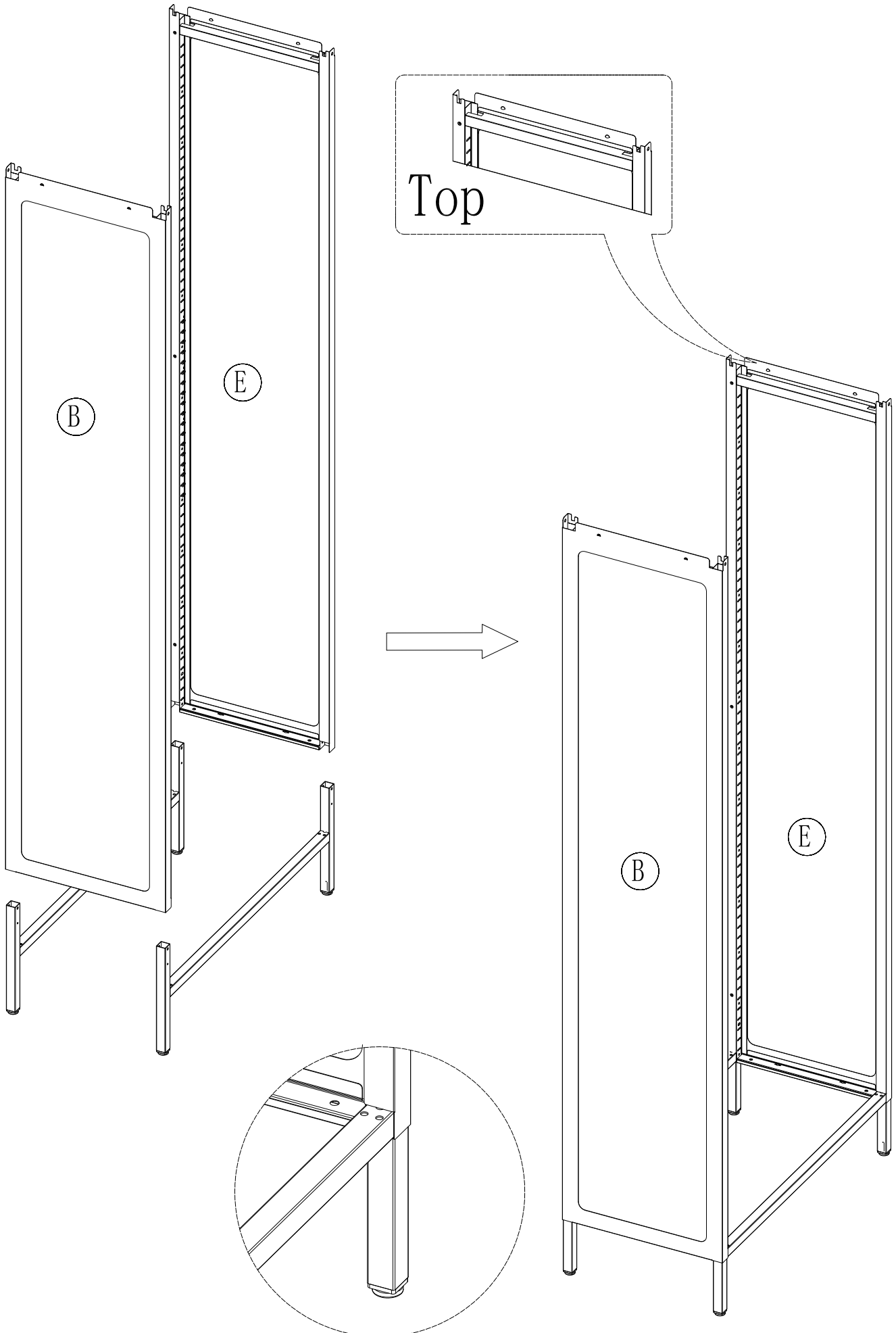


# Step 2 Remove the protective plug from B and E side panel



# Step 3

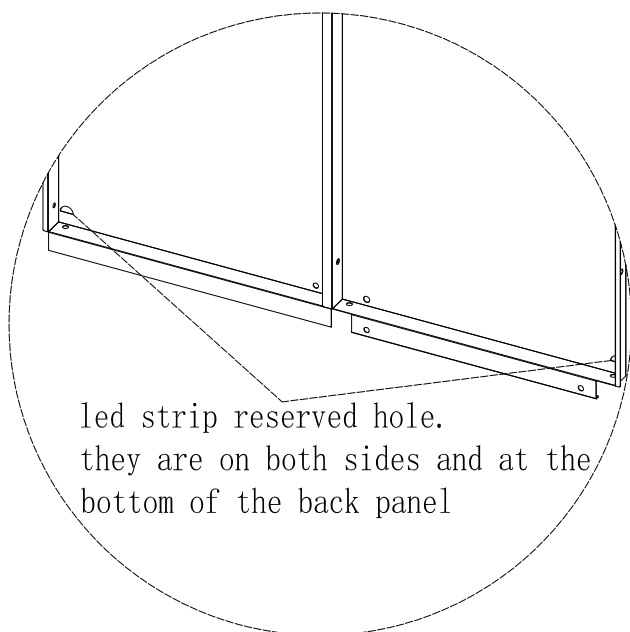
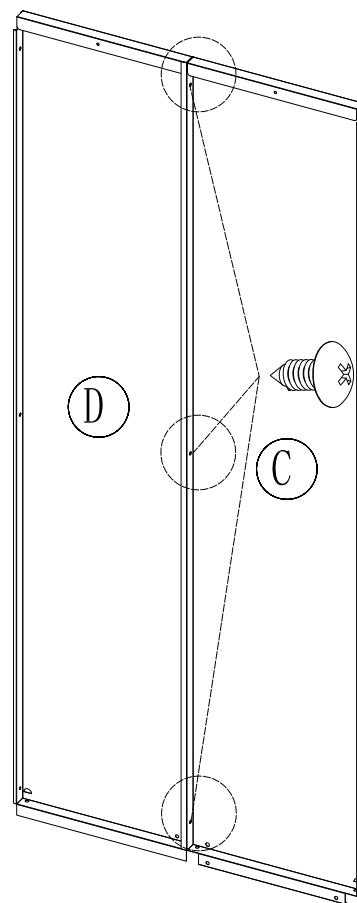
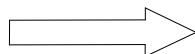
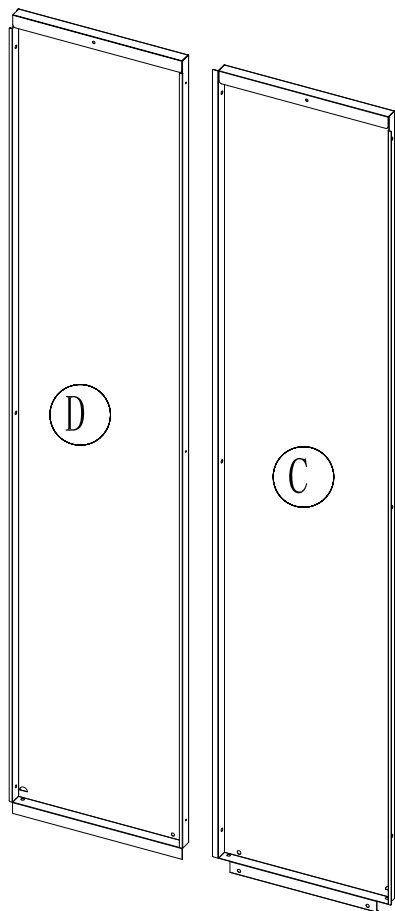
Insert the legs A into the side panels B and E



# Step 4 Use screws to connect back panels C and D

2

 Screws × 3



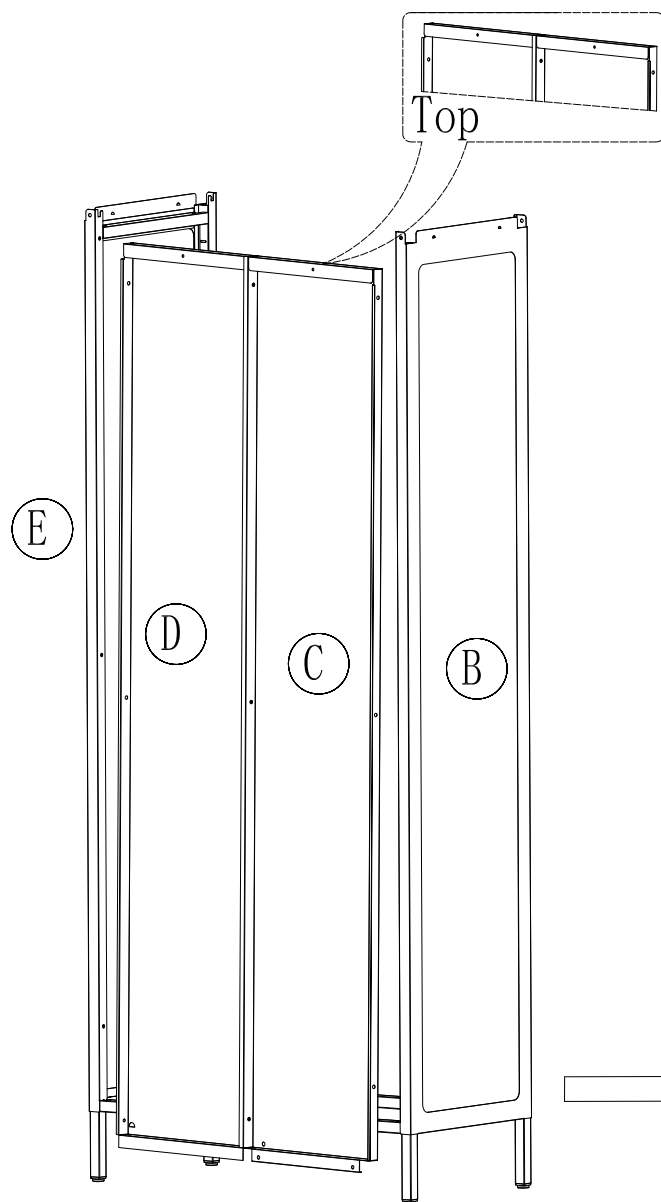
led strip reserved hole.  
they are on both sides and at the  
bottom of the back panel

# Step 5

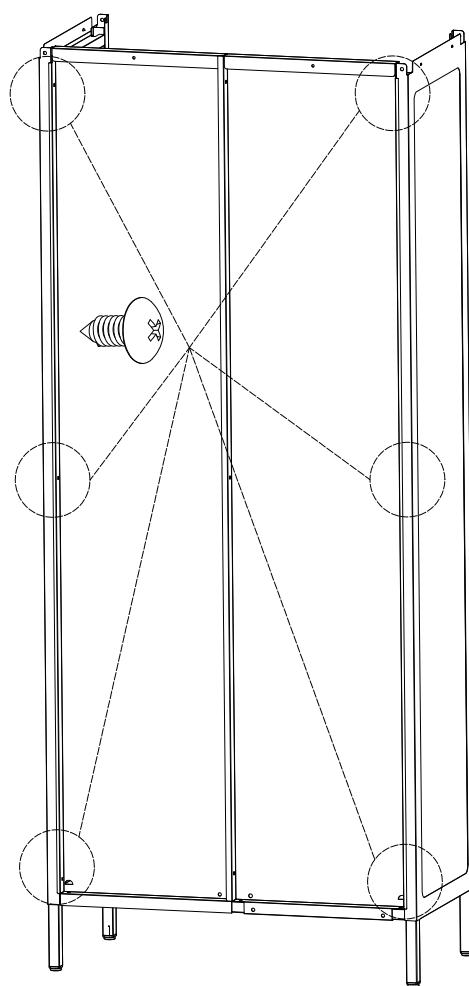
Install the spliced back panels on the side panels and legs

**Attention:** The side of the back panels without protrusions faces the interior of the steel cabinet.

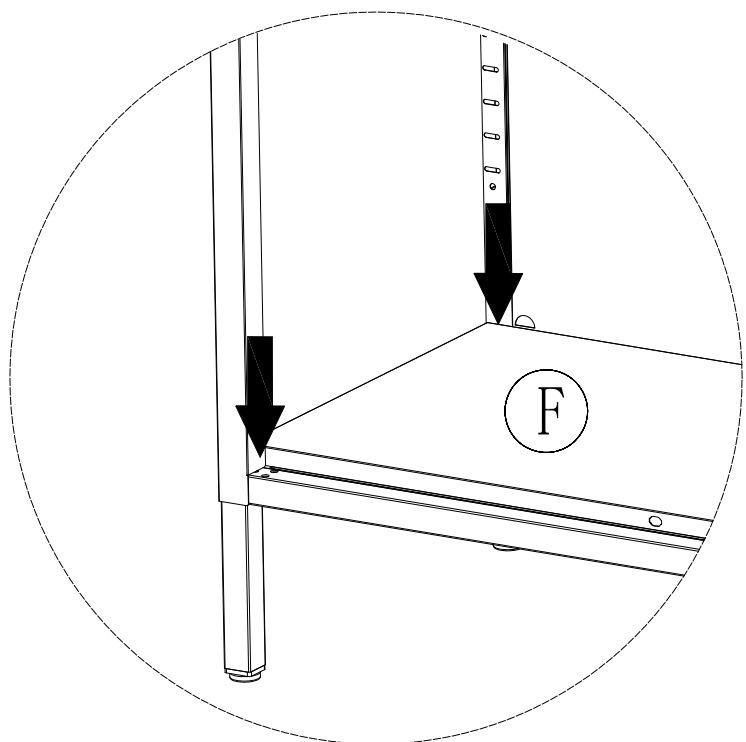
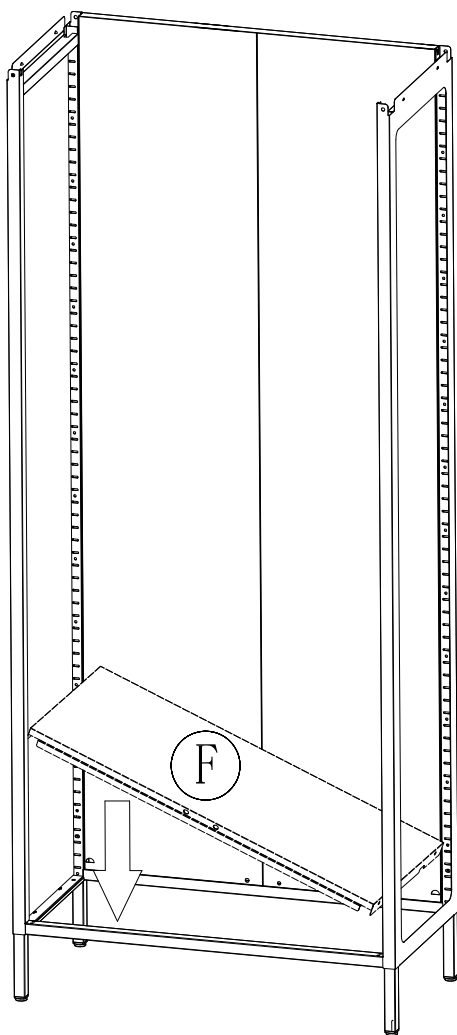
2	 Screws × 6
---	--



Fix the back panels with screws

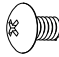


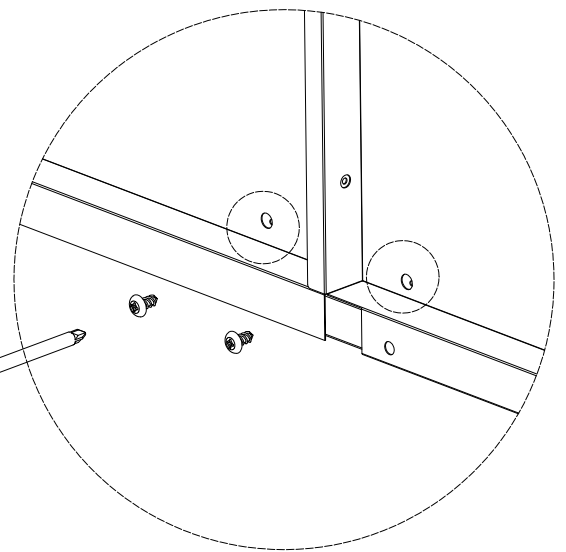
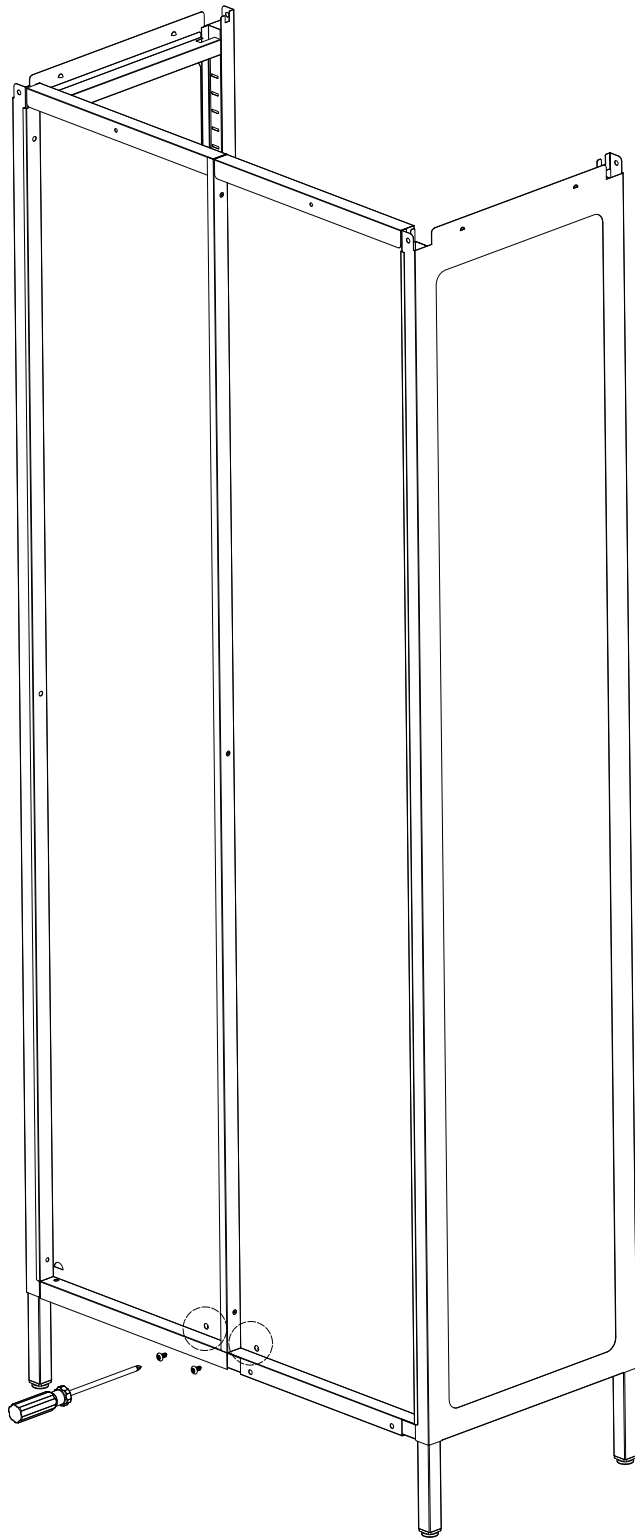
# Step 6 Install the bottom panel



# Step 7

Fix the bottom panel F

2	 Screws × 2
---	--

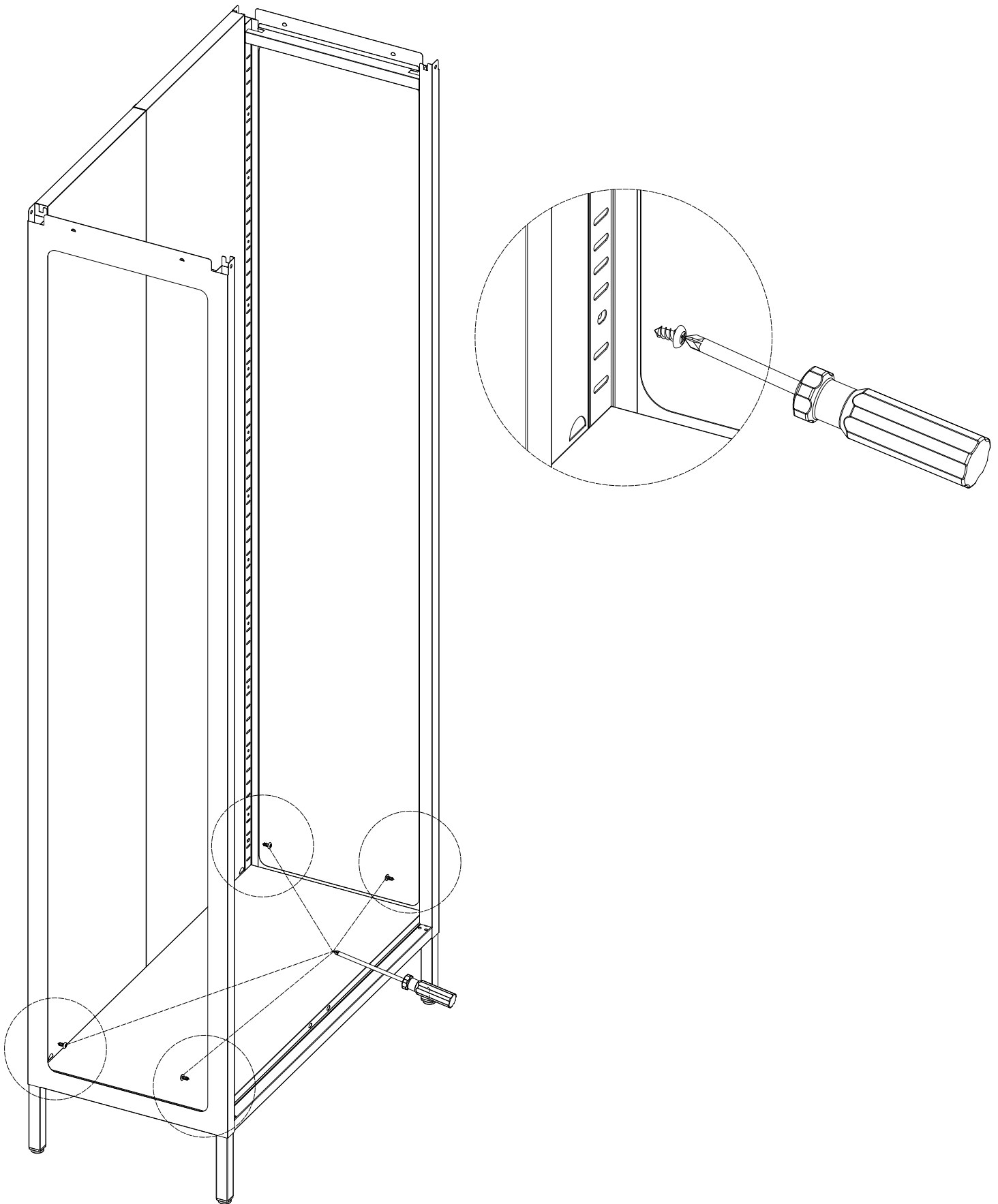


# Step 8

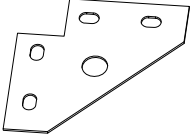
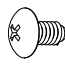
Uses screws to fix the side panels on the legs

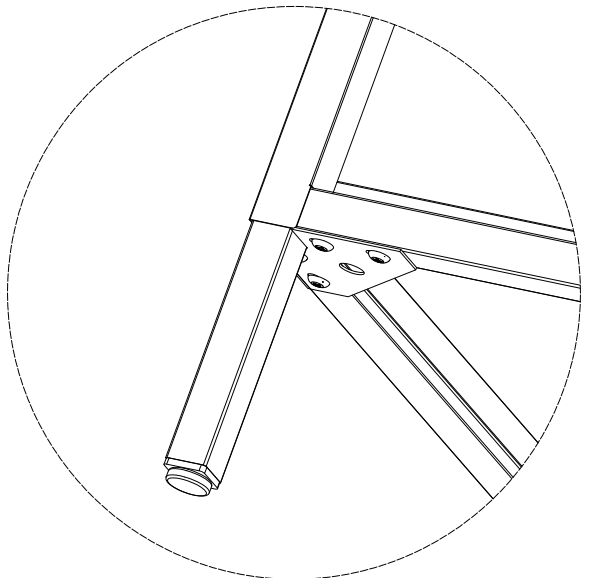
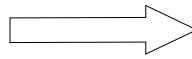
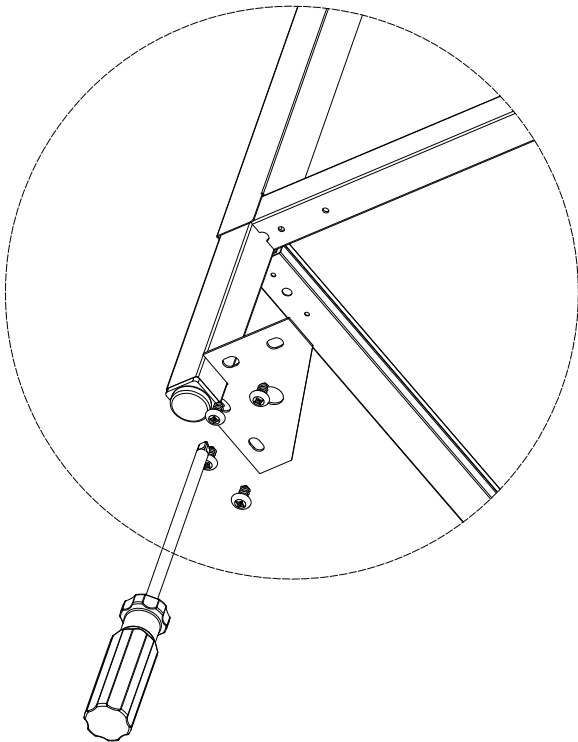
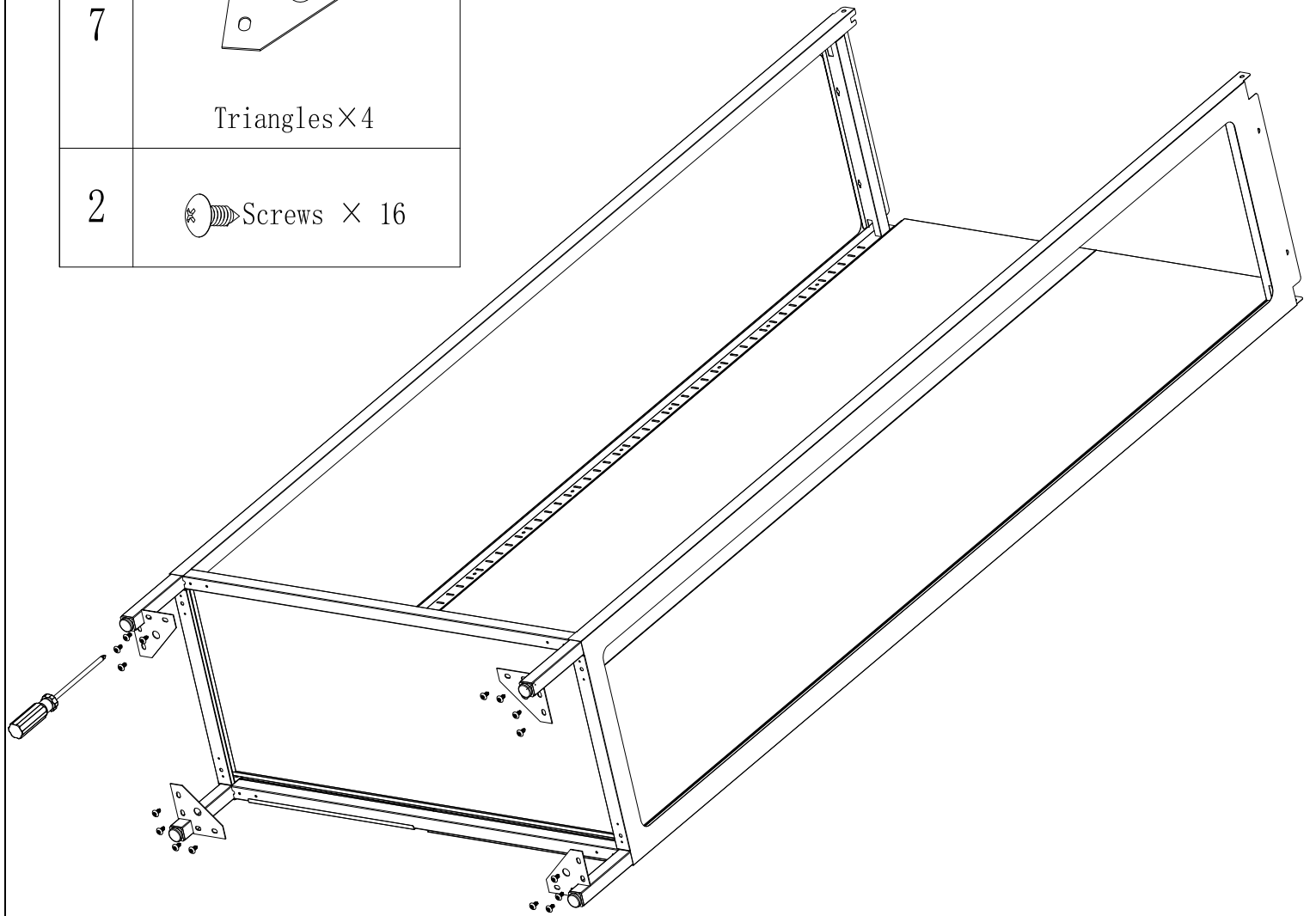
2

 Screws × 4



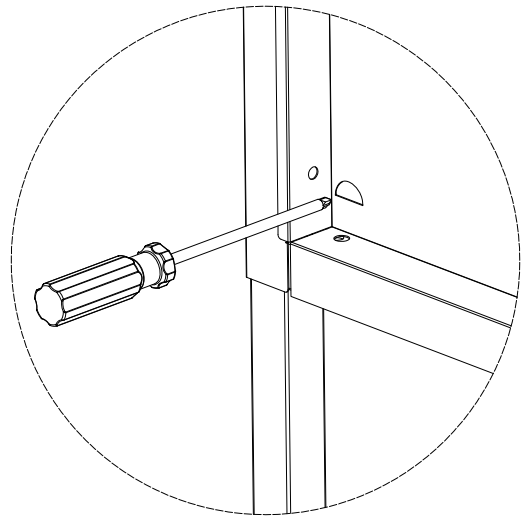
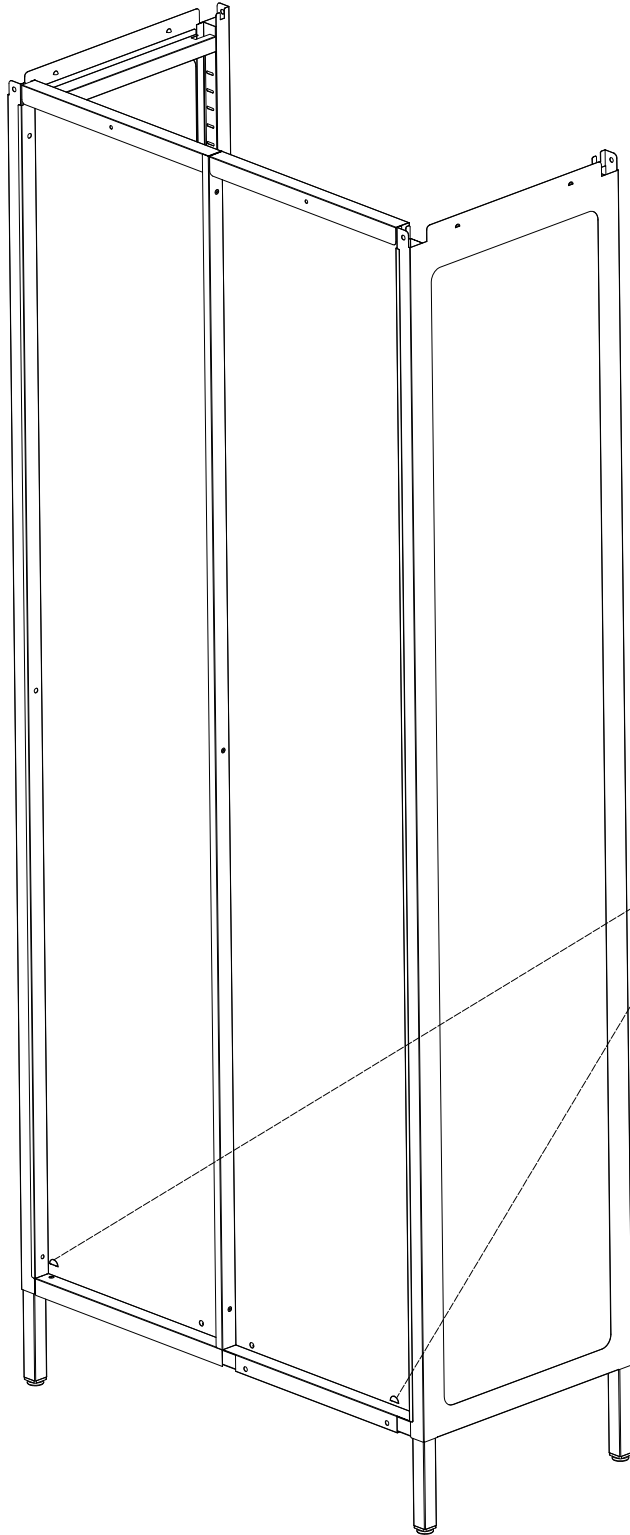
# Step 9 Install the triangles

7	 Triangles×4
2	 Screws × 16

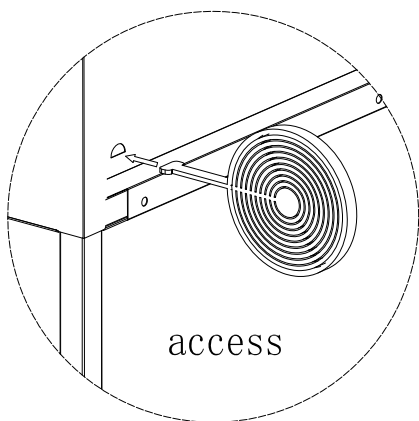
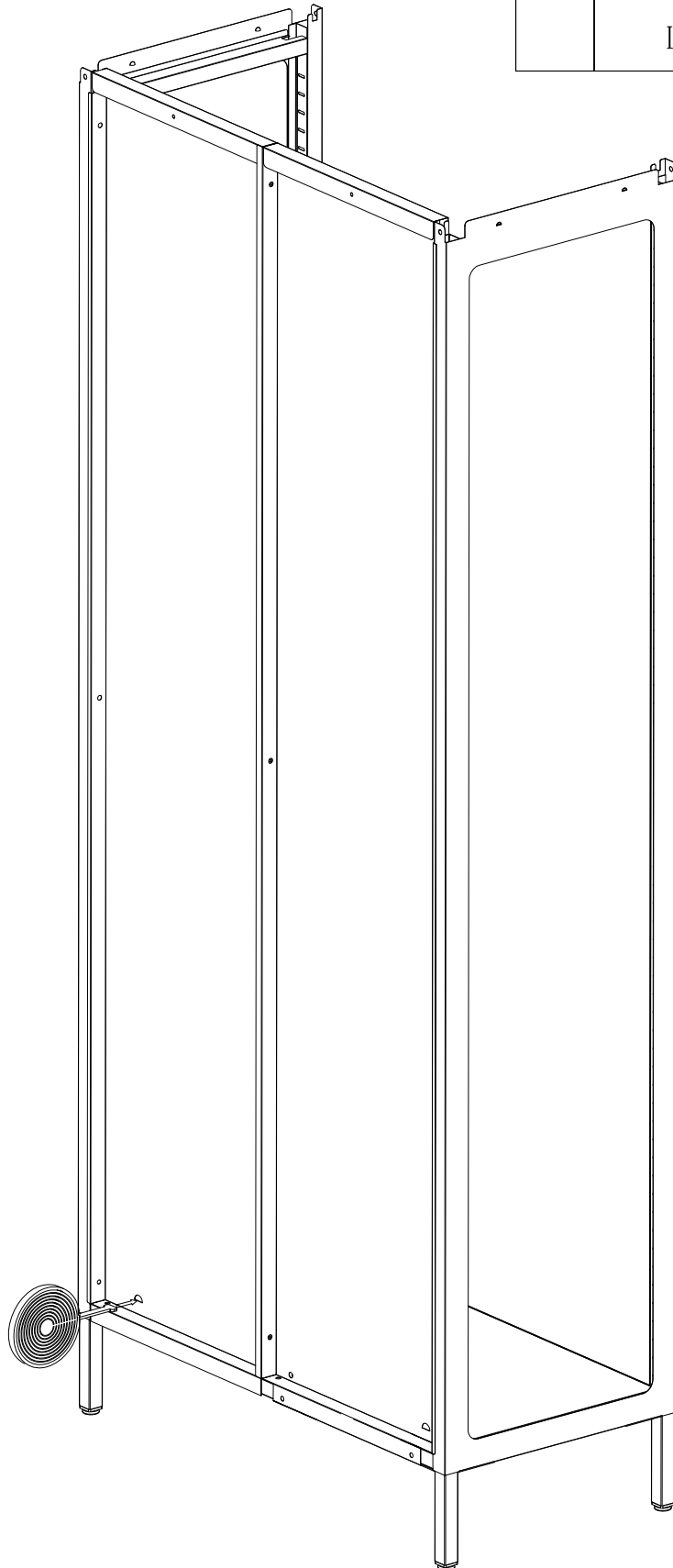
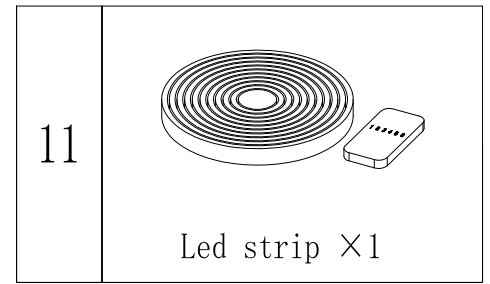


# Step 10

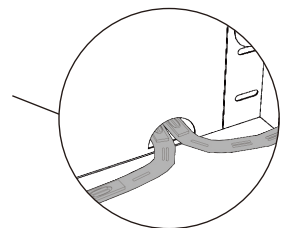
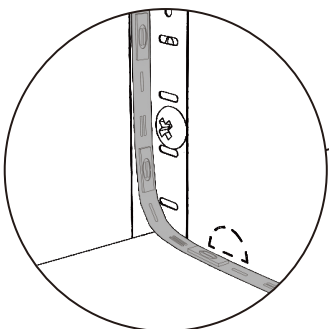
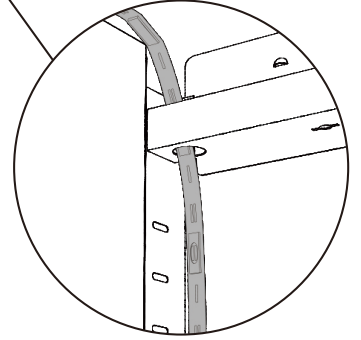
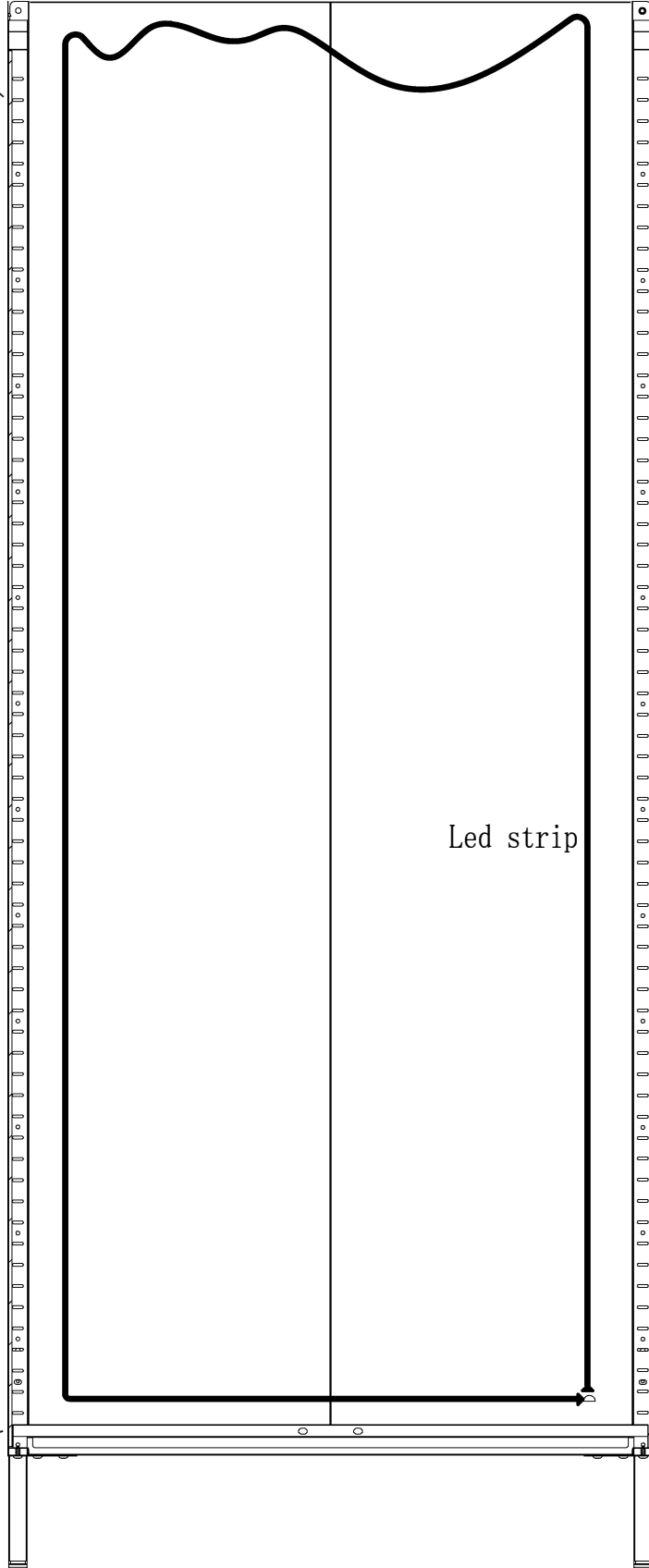
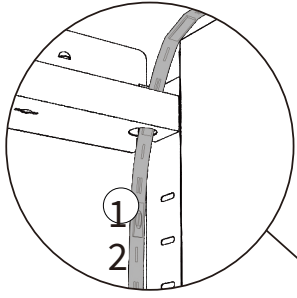
knock the reserved led strip hole



Step 11-1 Thread the led strip through the cabinet  
This step don' t tear off the led strip tape

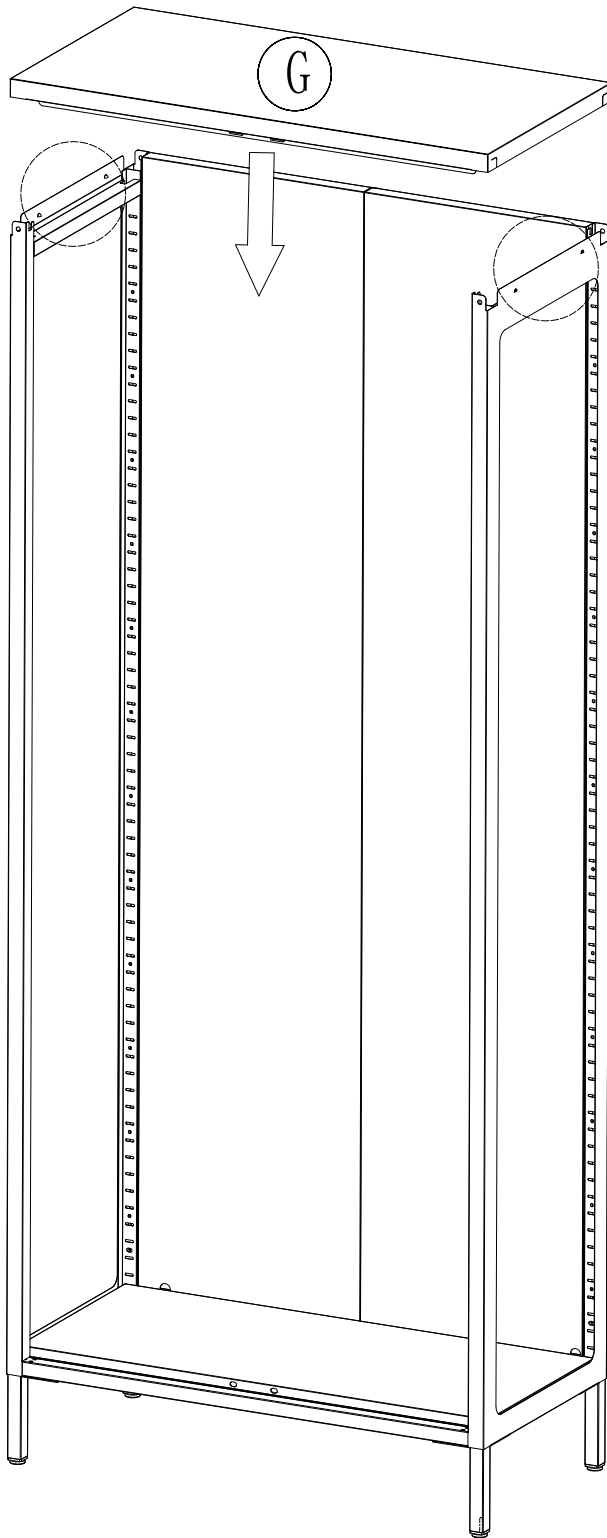


# Step 11-2



# Step 12

Install the top panel G

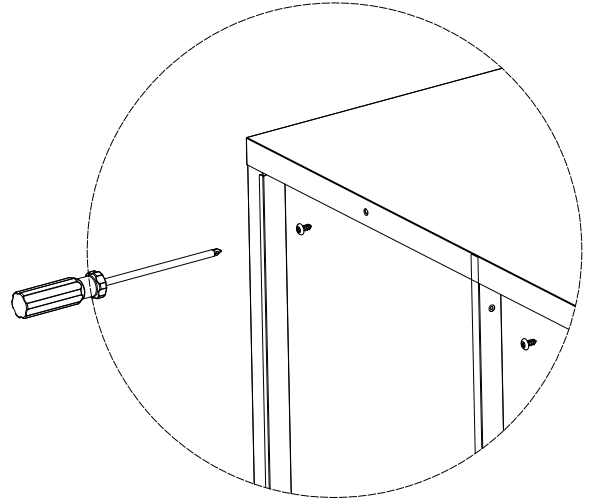
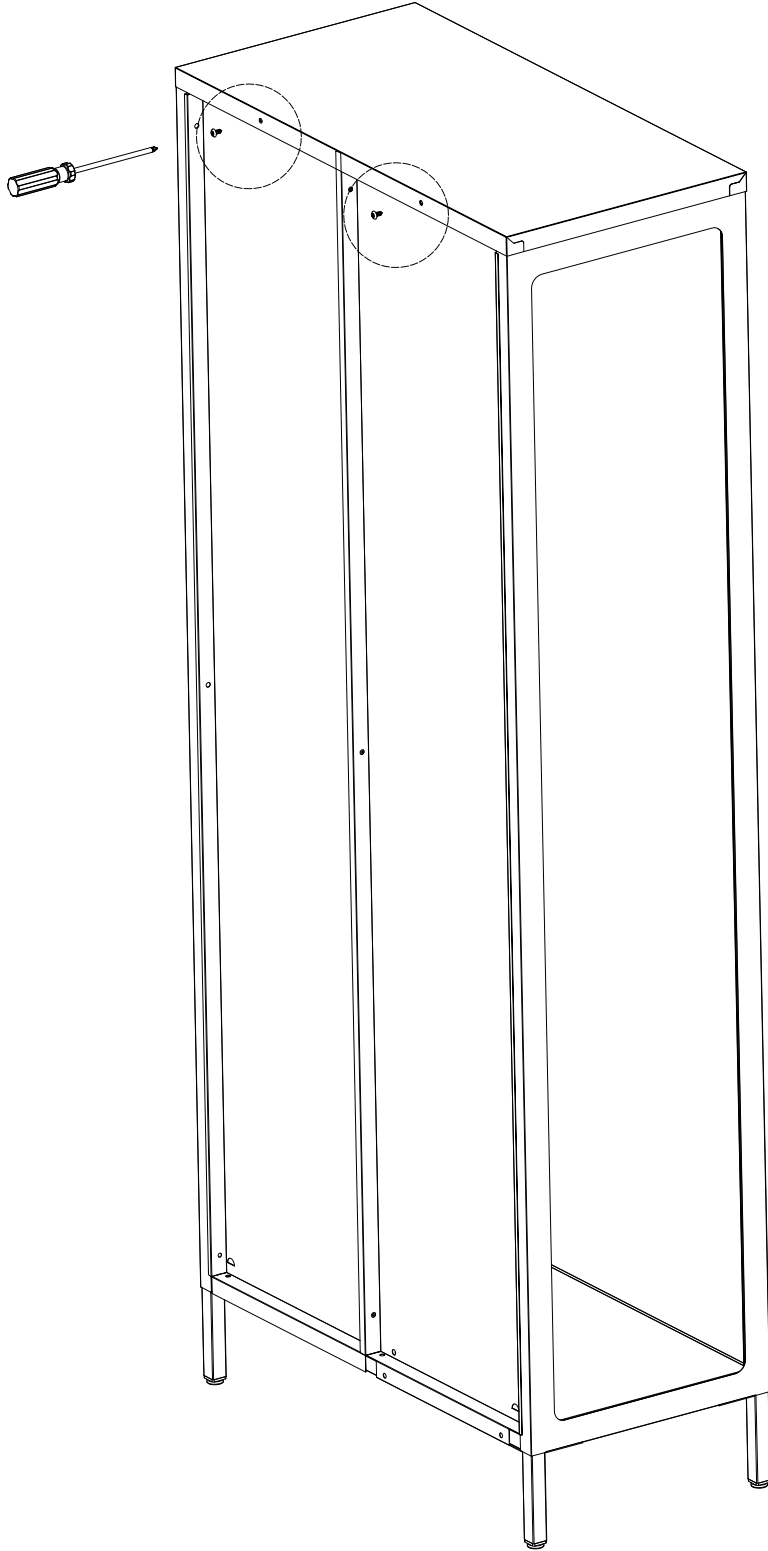


# Step 13

Use screws to fix the top panel

2

 Screws × 2

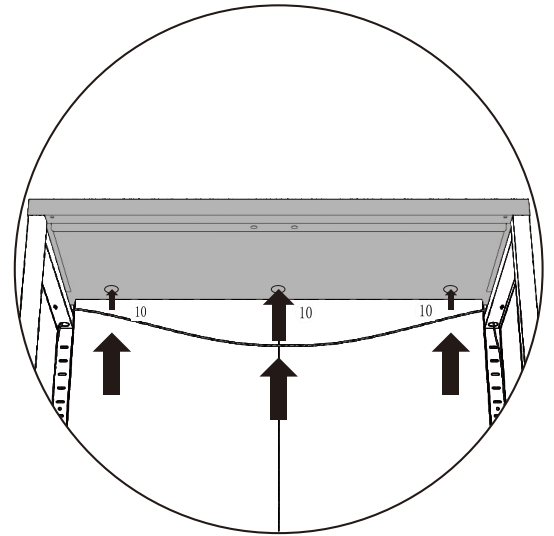
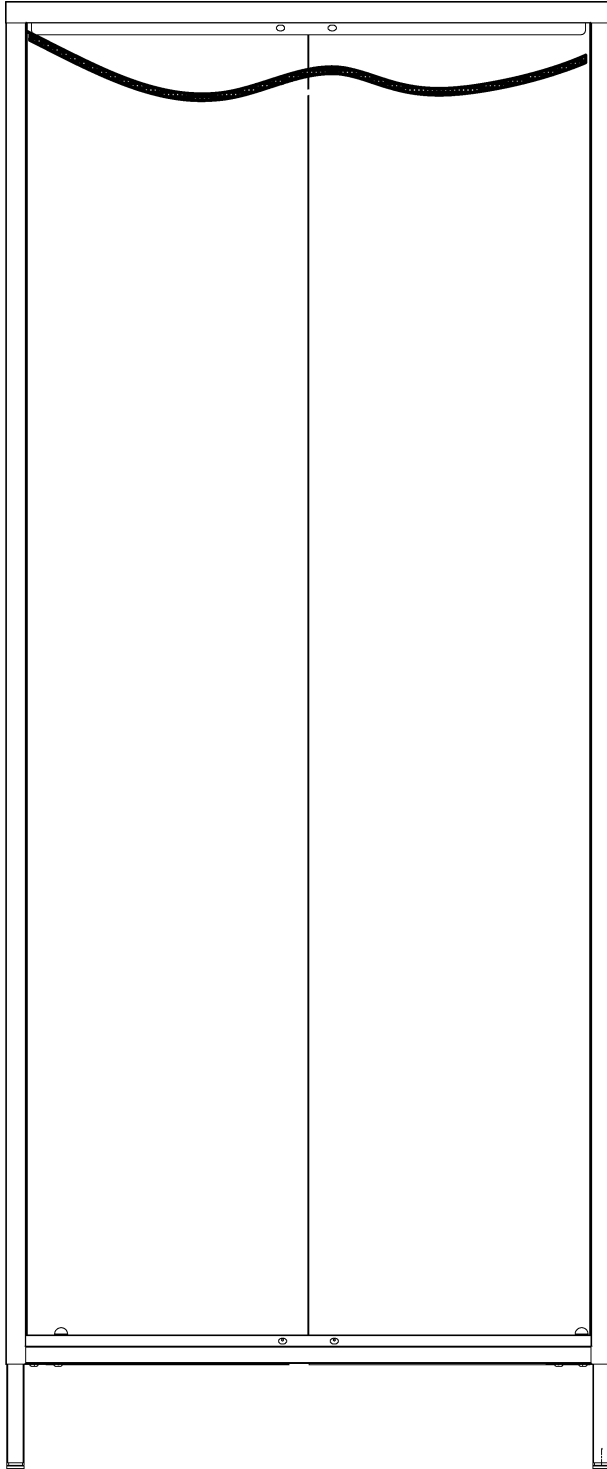


Step 14 Tear off the led strip tape and stick the strip to the cabinet

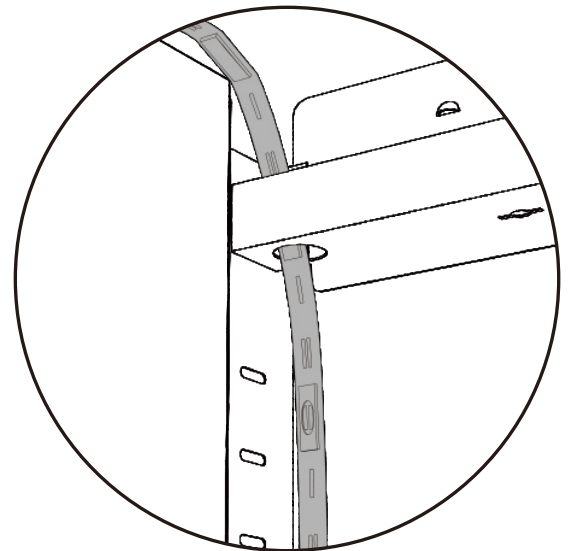
10



Double-sided tapes ×3



Stick label 10 (Double-sided tapes) to the top panel, then attach the led strip on it.



Stick like this. Don't cover the partition buckle hole.

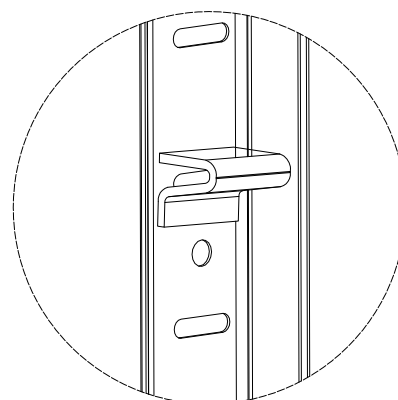
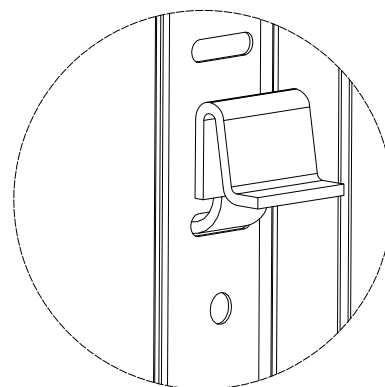
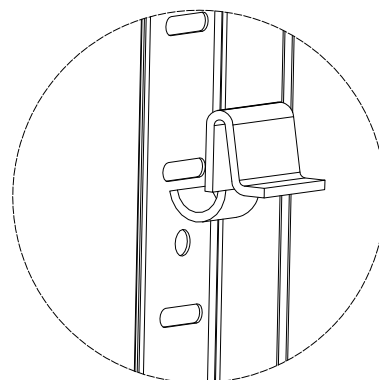
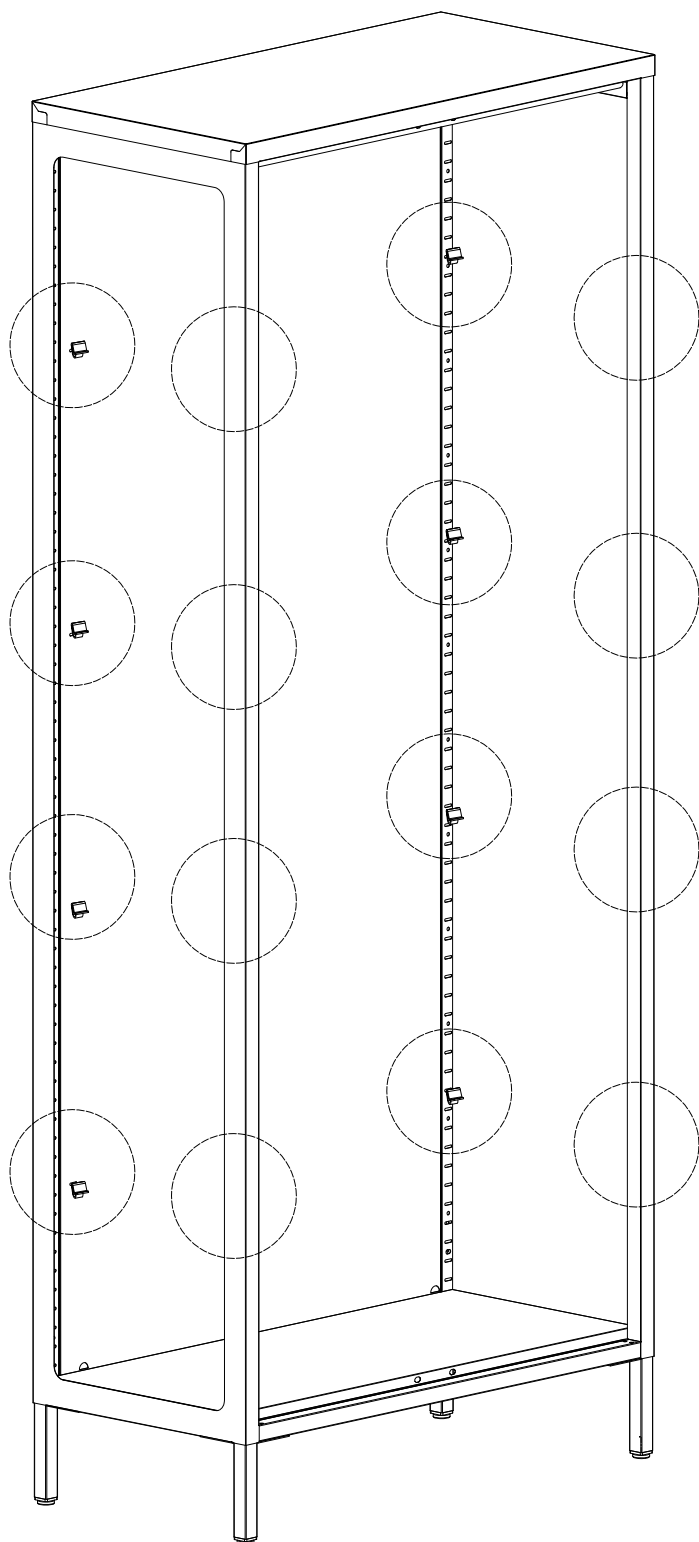
# Step 15

Install the partition buckle

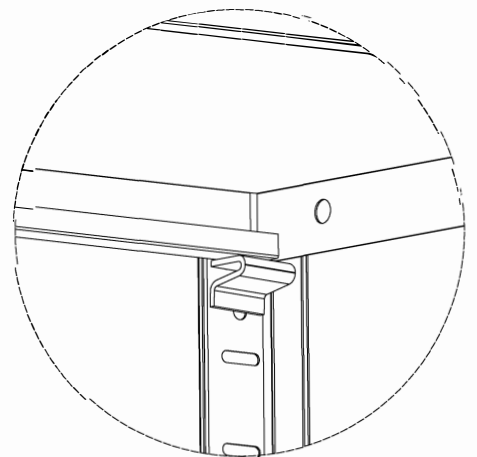
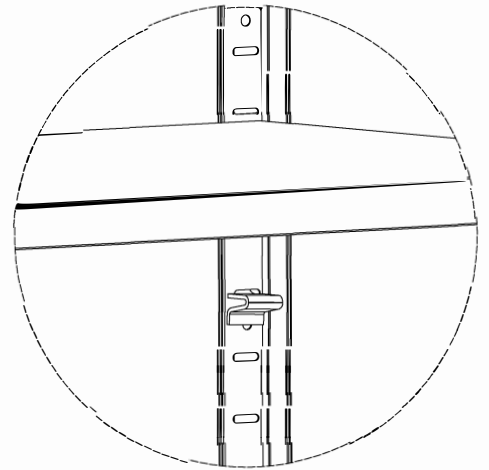
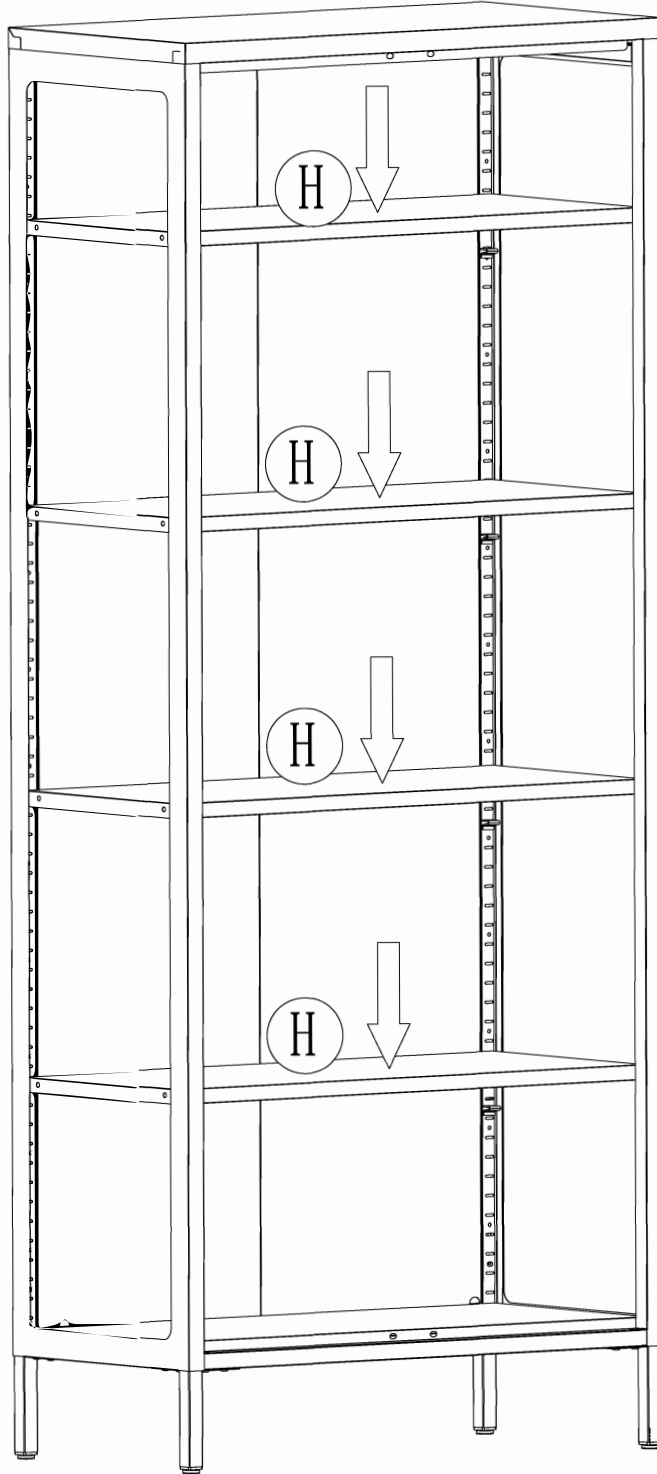
3



Holders × 16



# Step 16 Place the shelves above the partition buckle



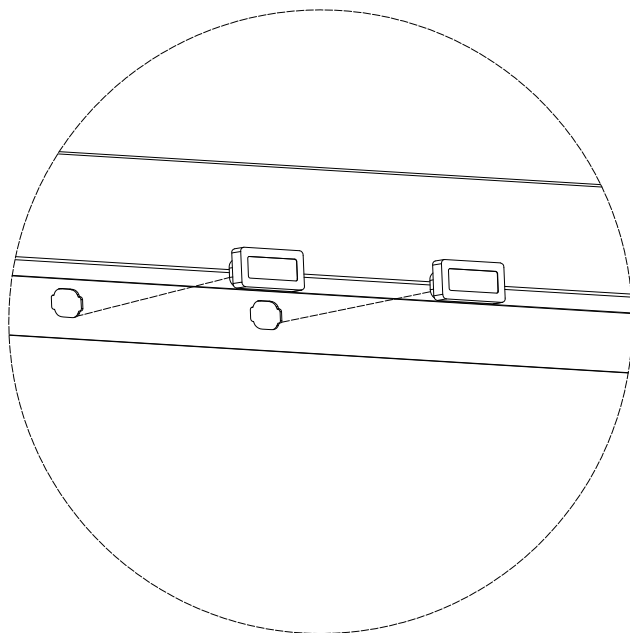
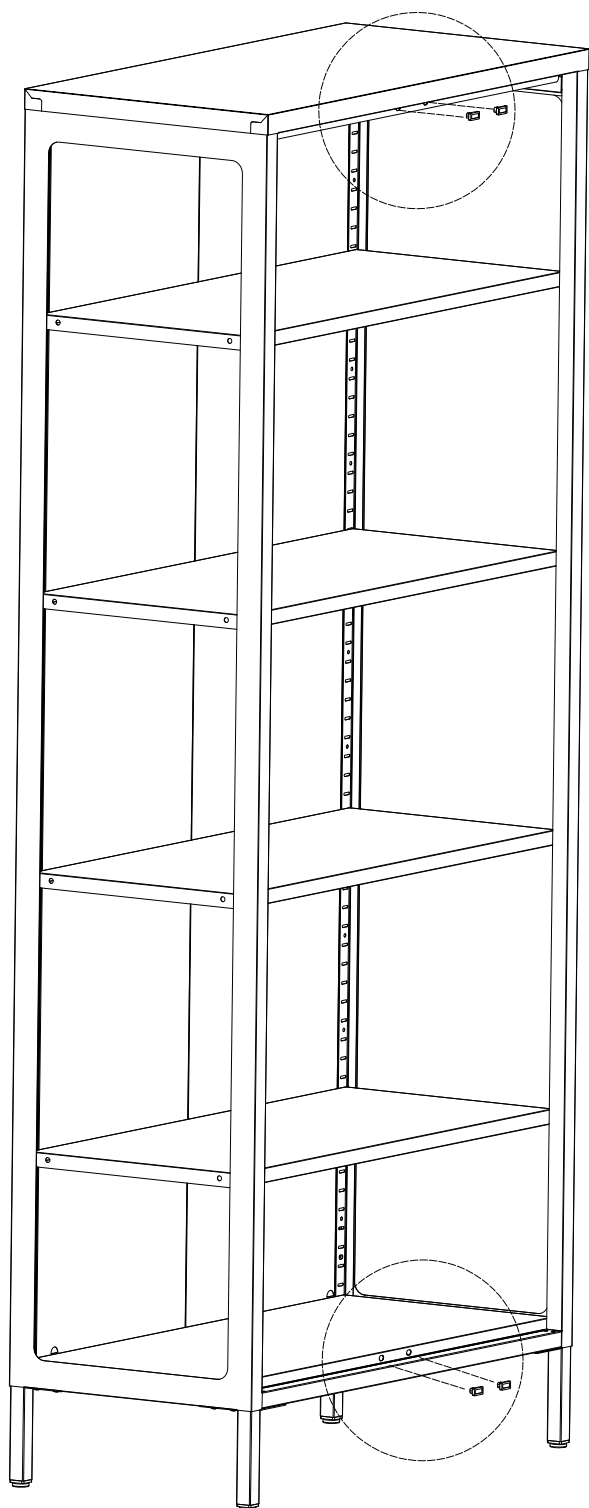
# Step 17

Install the magnetic attraction

9




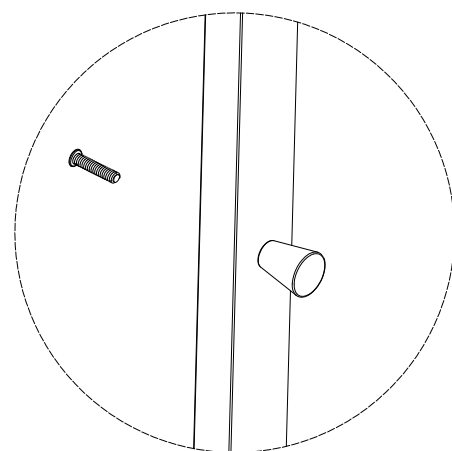
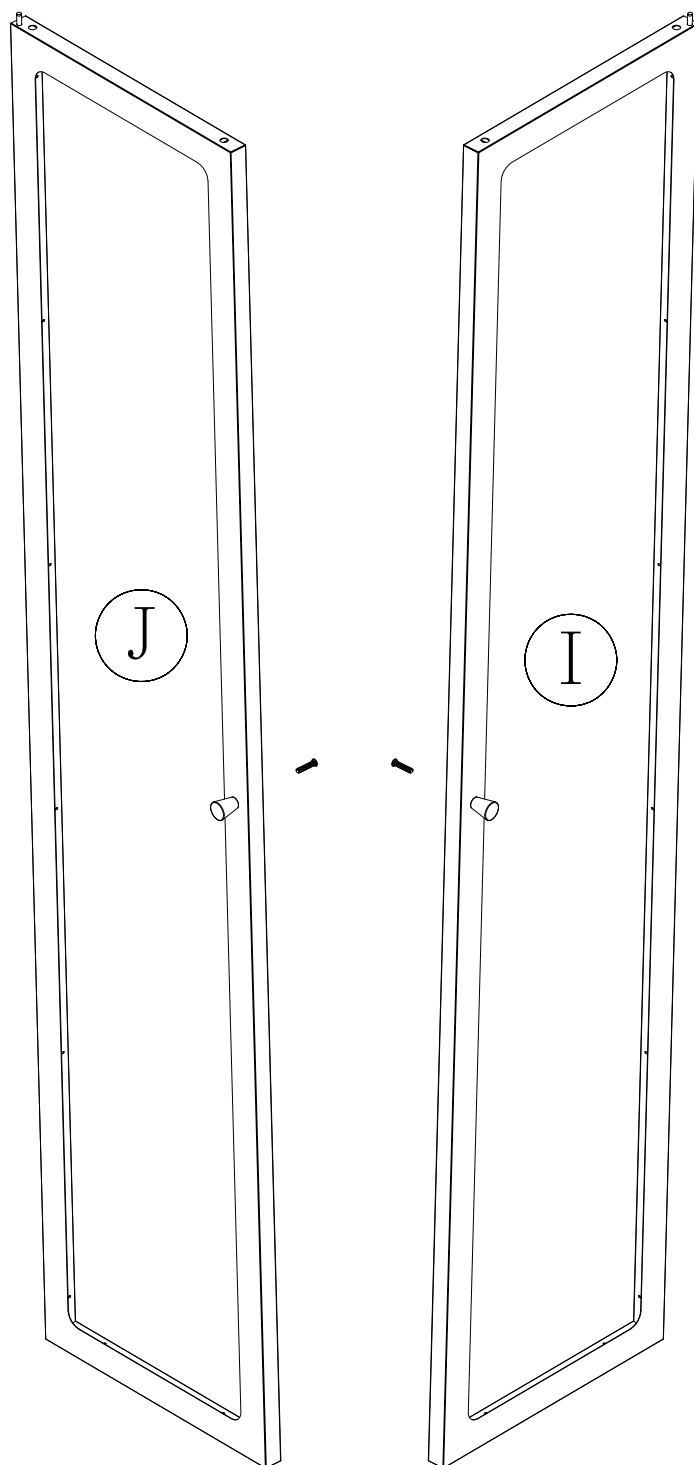
Magnetic attractions×4



# Step 18

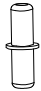

Install the door handles

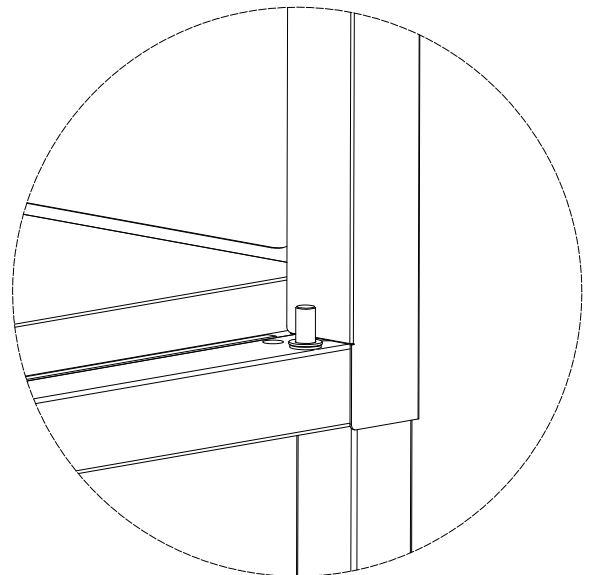
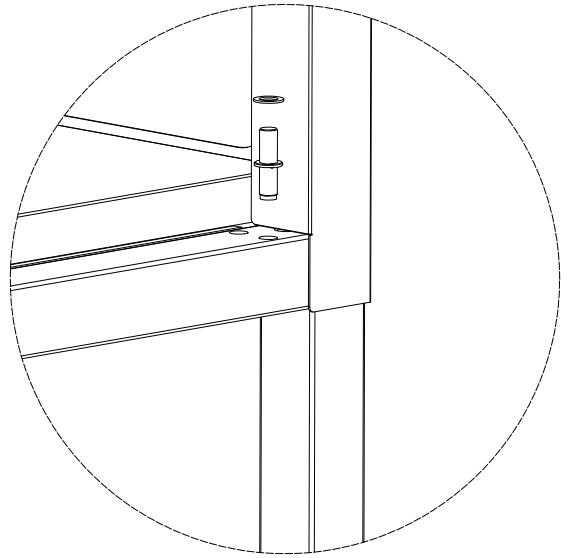
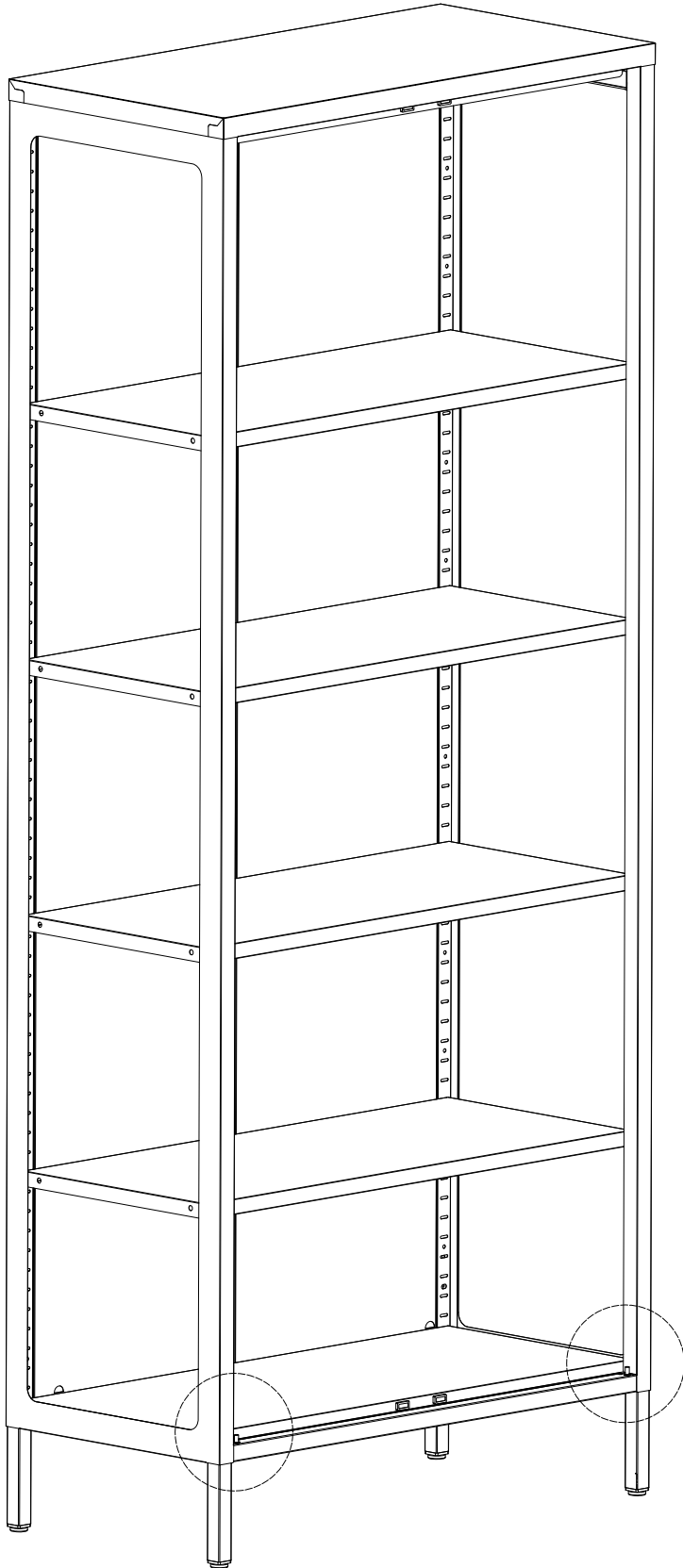
6	 Puller handle, Screws×2
---	--



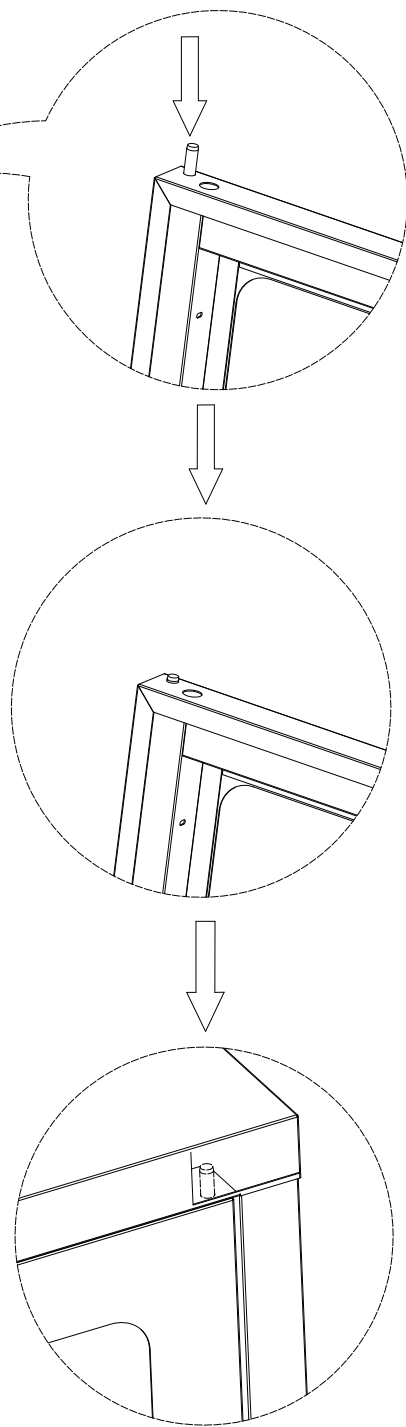
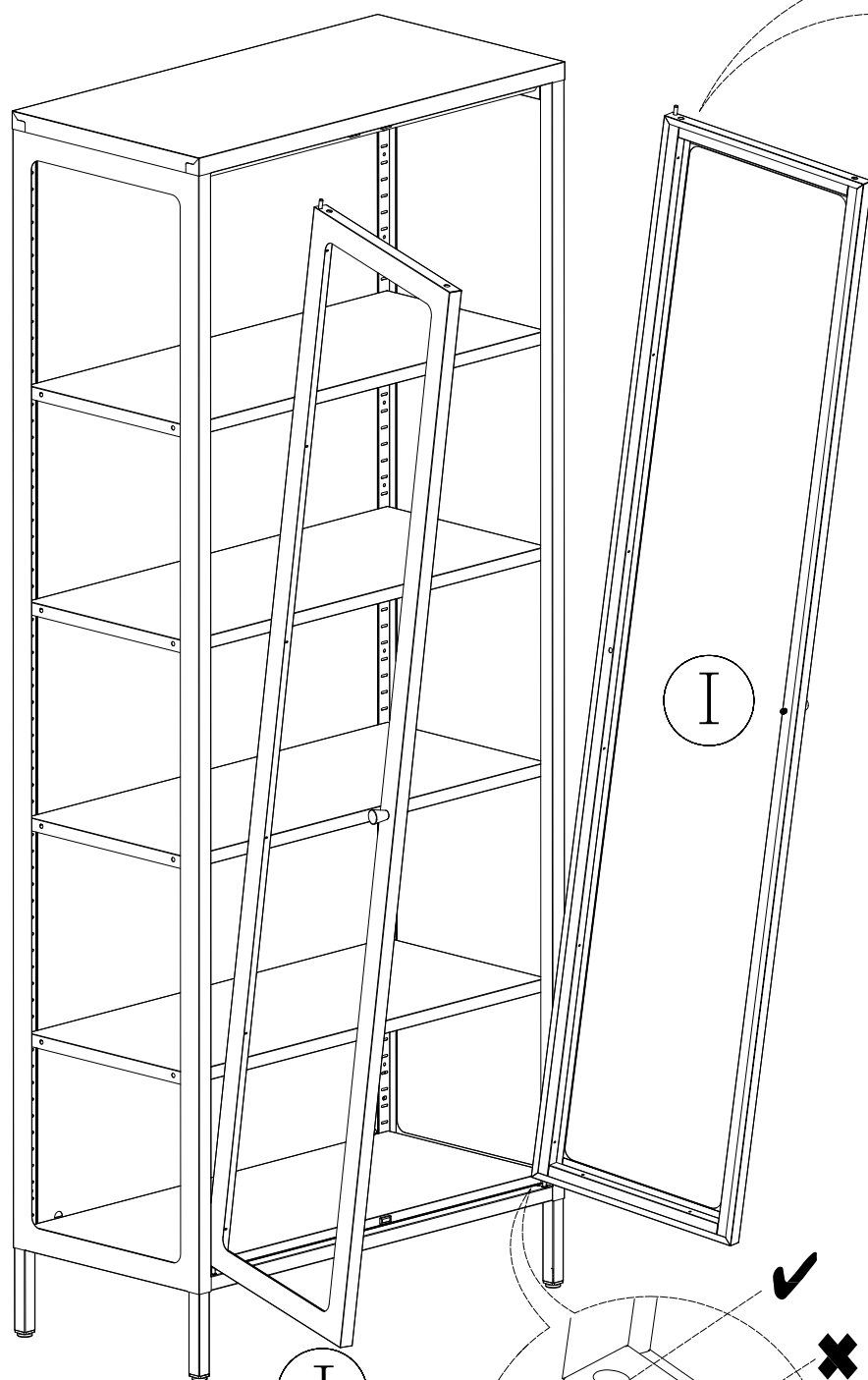
# Step 19

Install the bottom door shafts

1	 Bolts × 2
4	 Plastic Rings × 2

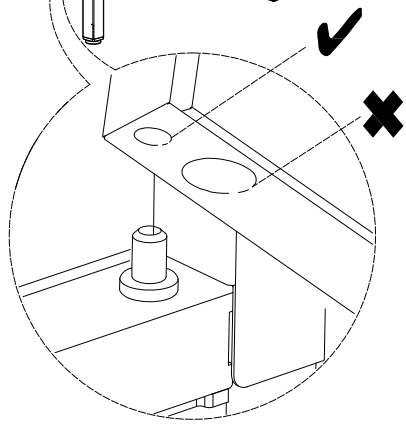


# Step 20 Install the glass doors

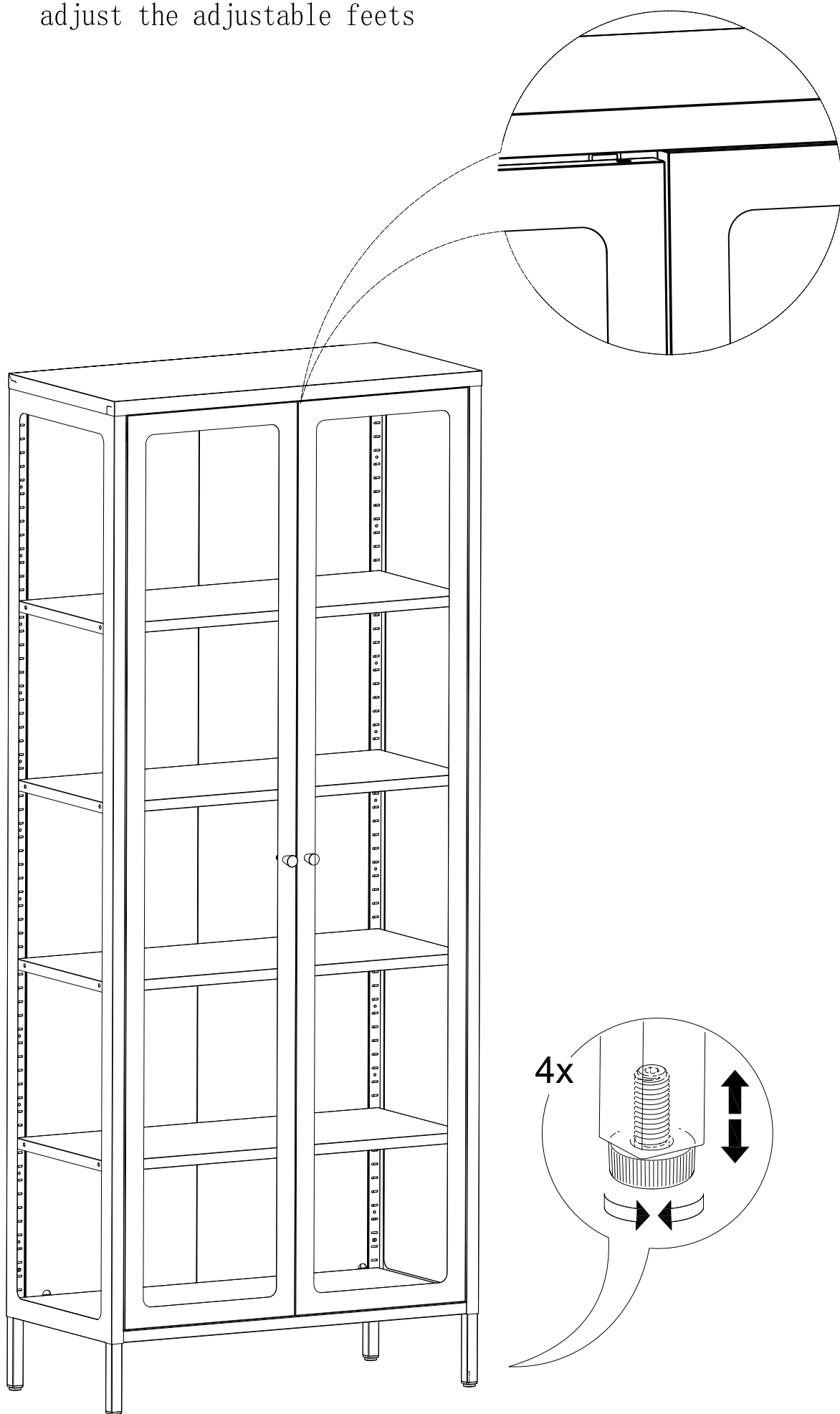


Then press the bolt down and pull glass door into cabinet

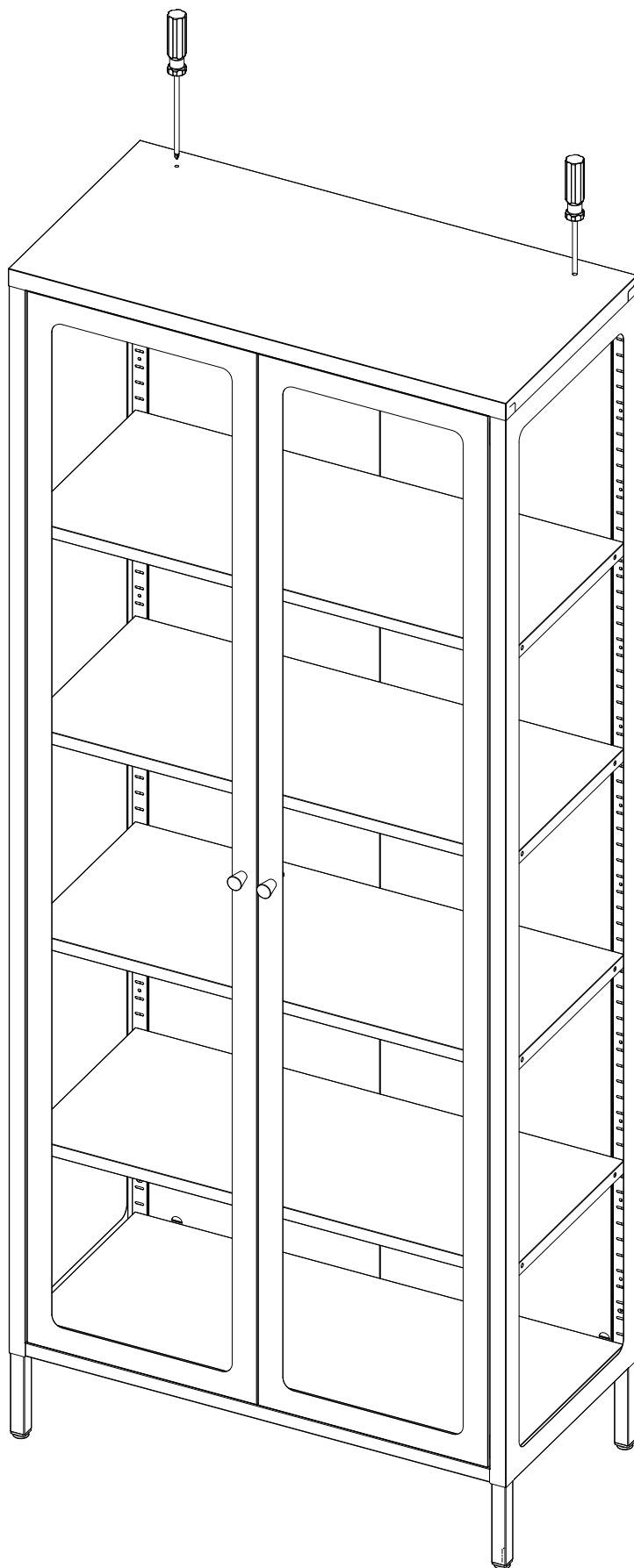
First, let the bolt into the small hole of glass door



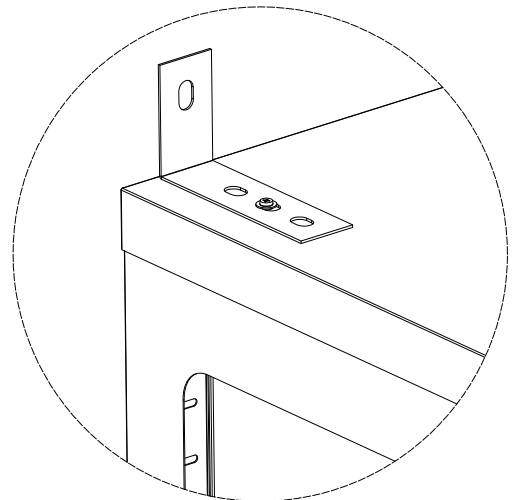
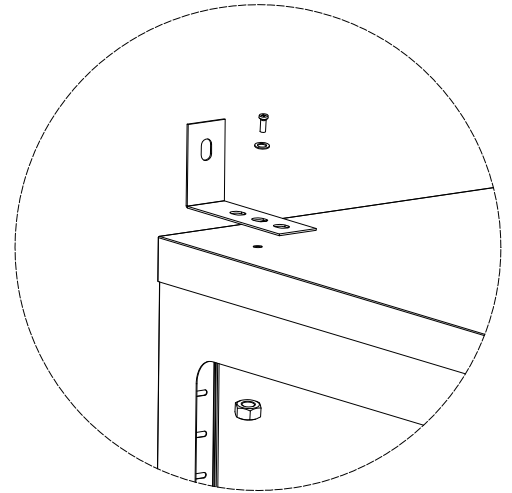
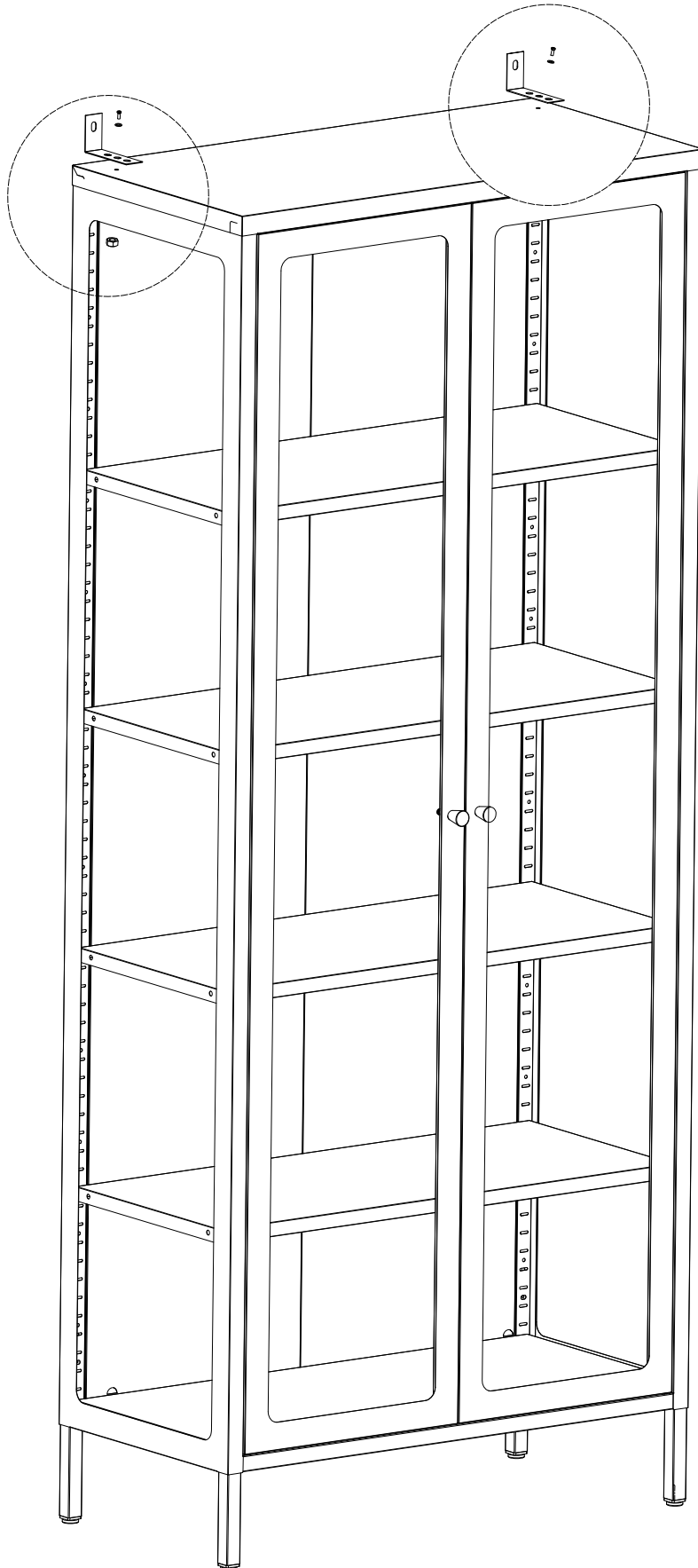
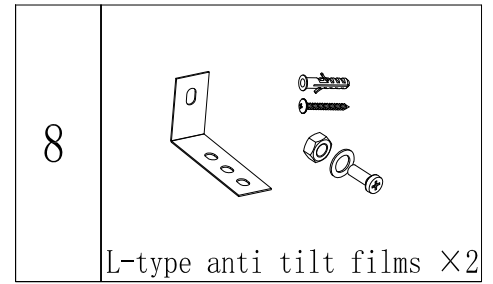
Step 21 If it appears that the doors are not in line ,  
adjust the adjustable feet



# Step 22-1 Install the anti-tipping accessories



# Step 22-2 Install the anti-tipping accessories



# Step 23

Install the anti-tipping accessories

