

# Extendable Dining Table

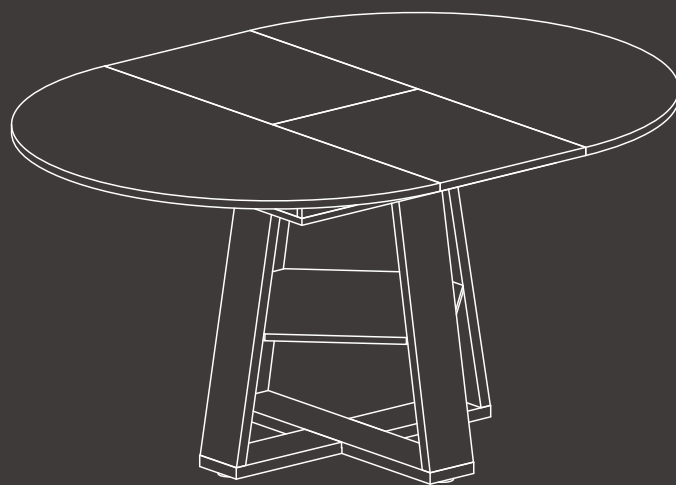
Instruction Manual

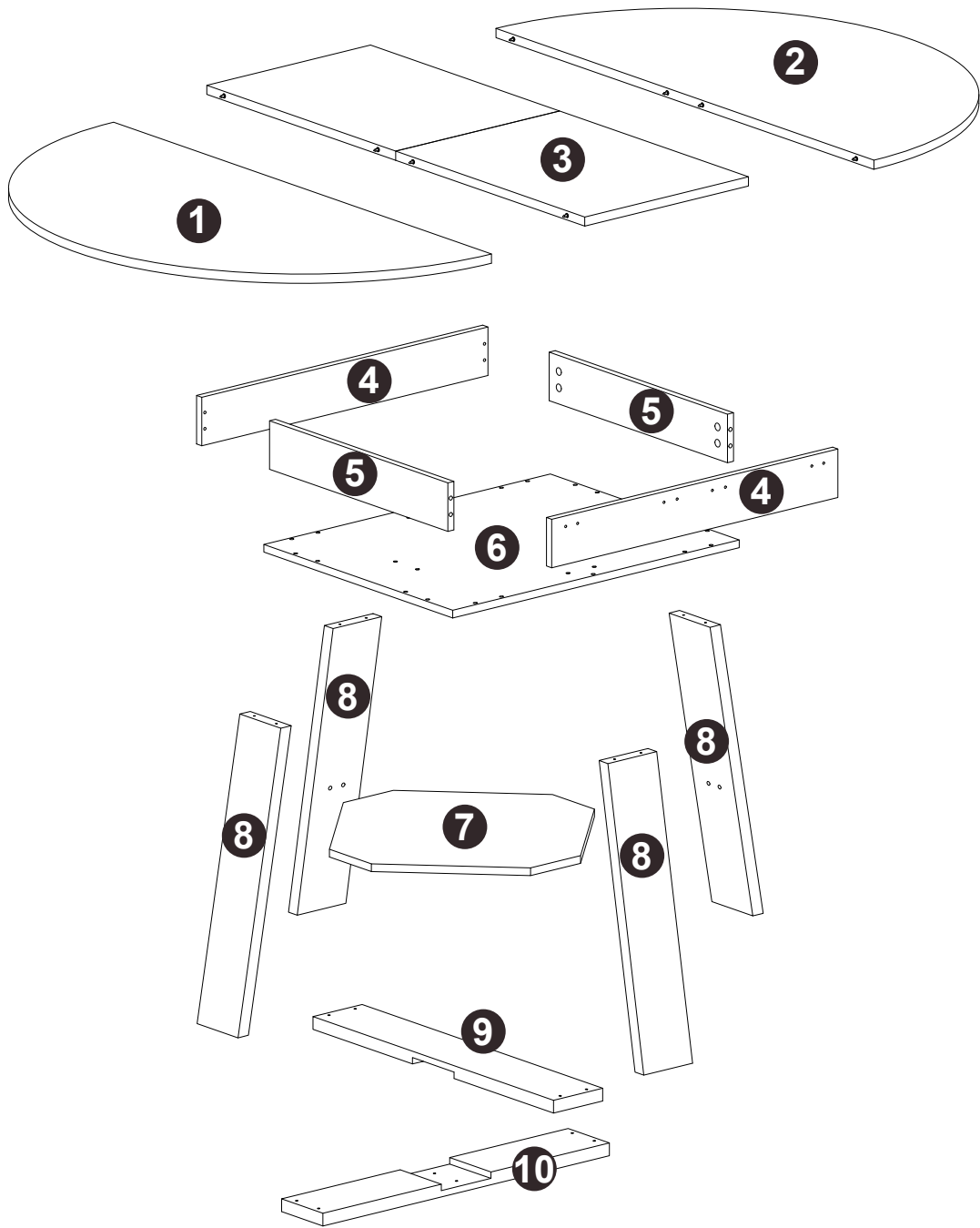
# Mesa de comedor extensible

Manual de instrucciones

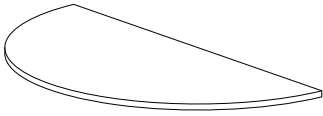
# Table à Rallonge

Manuel d'Instruction

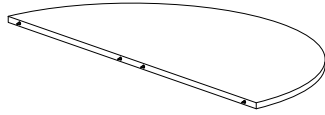




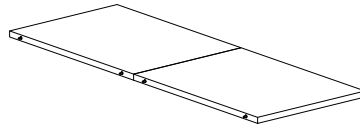
1 X1



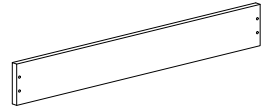
2 X1



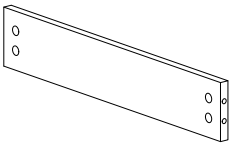
3 X1



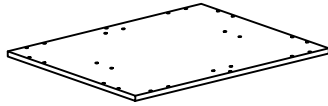
4 X2



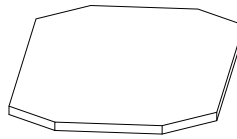
5 X2



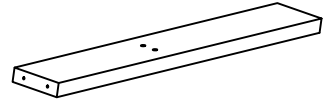
6 X1



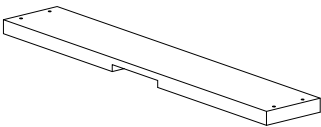
7 X1



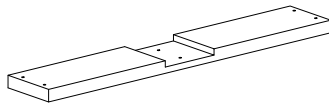
8 X4



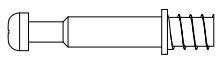
9 X1



10 X1

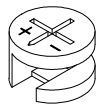


**A** X8



M6X35mm

**B** X8



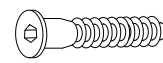
M15X12mm

**C** X8



M8X30mm

**D** X10

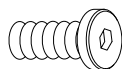


M7X47mm

**E** X1



**F** X24



M6X12mm

**G** X2



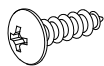
M4X20mm

**H** X16



M4X50mm

**I** X32



M4X14mm

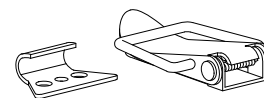
**J** X8



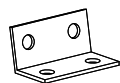
**K** X5



**L** X4



**M** X4

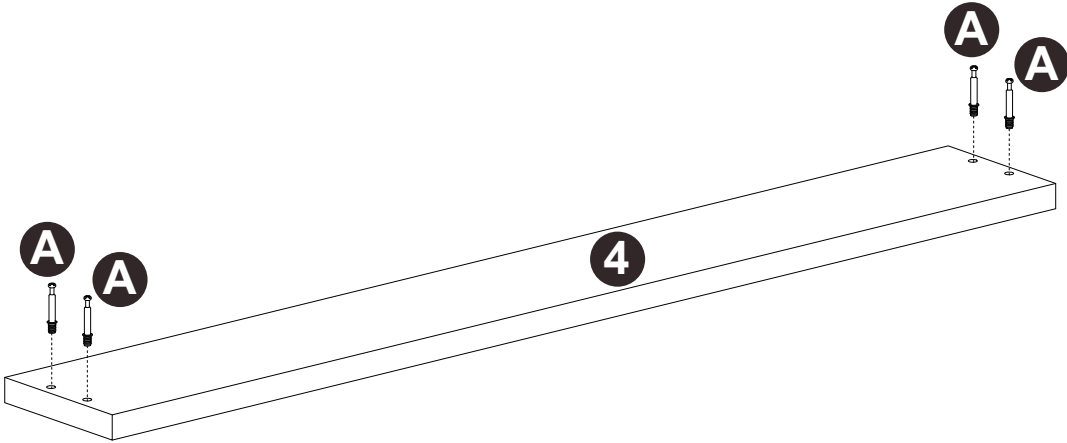
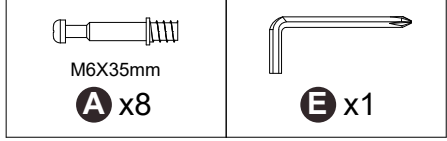
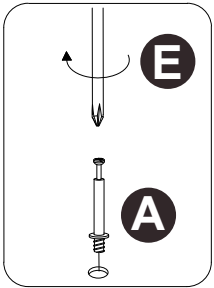


**N** X2



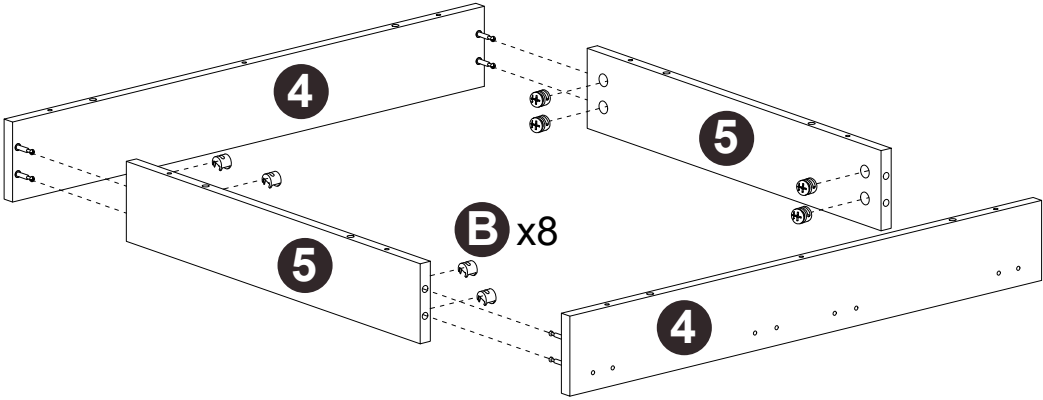
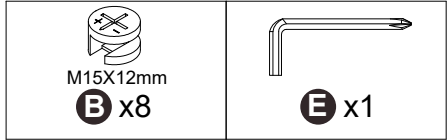
4

# Step 1

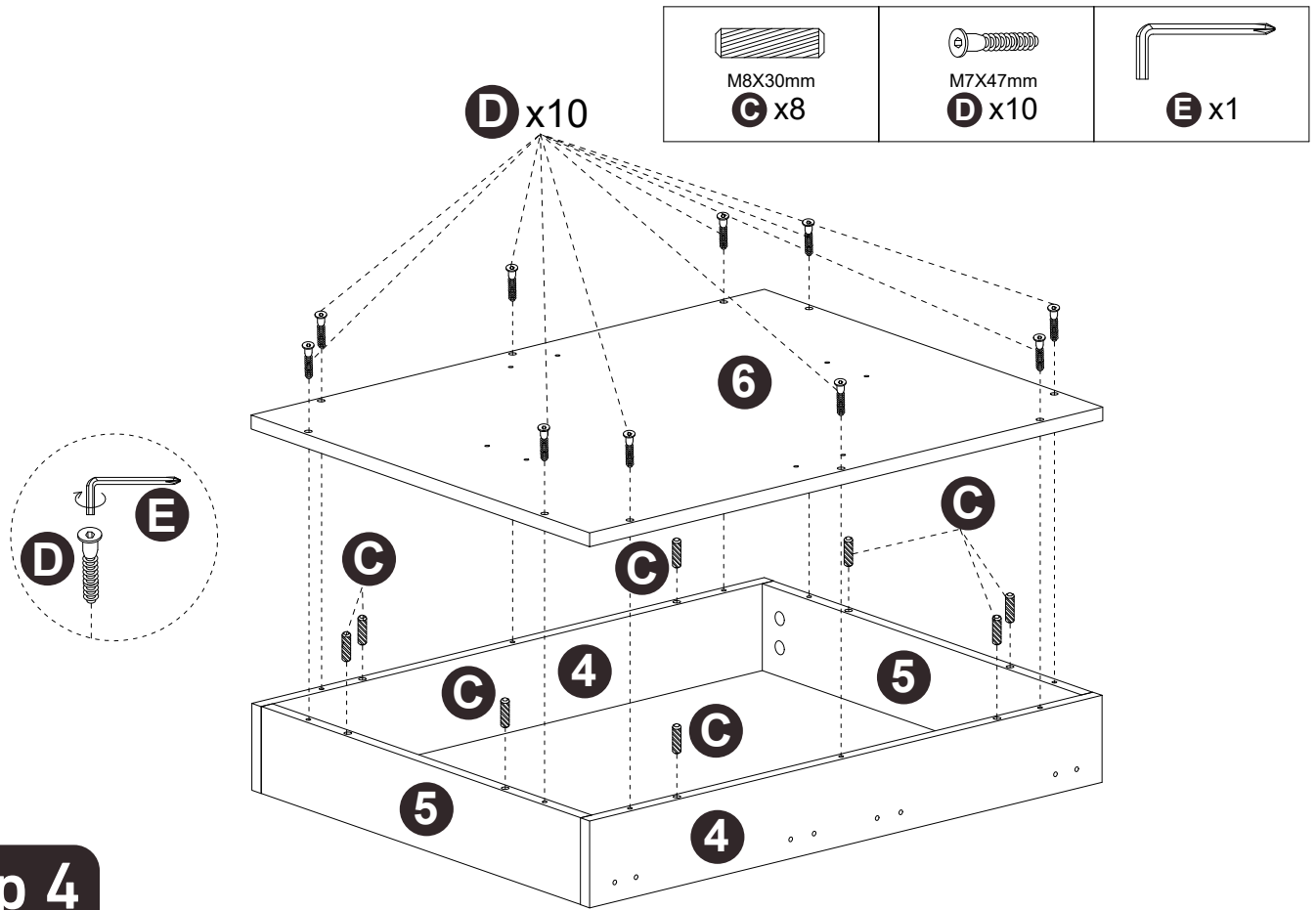


x2

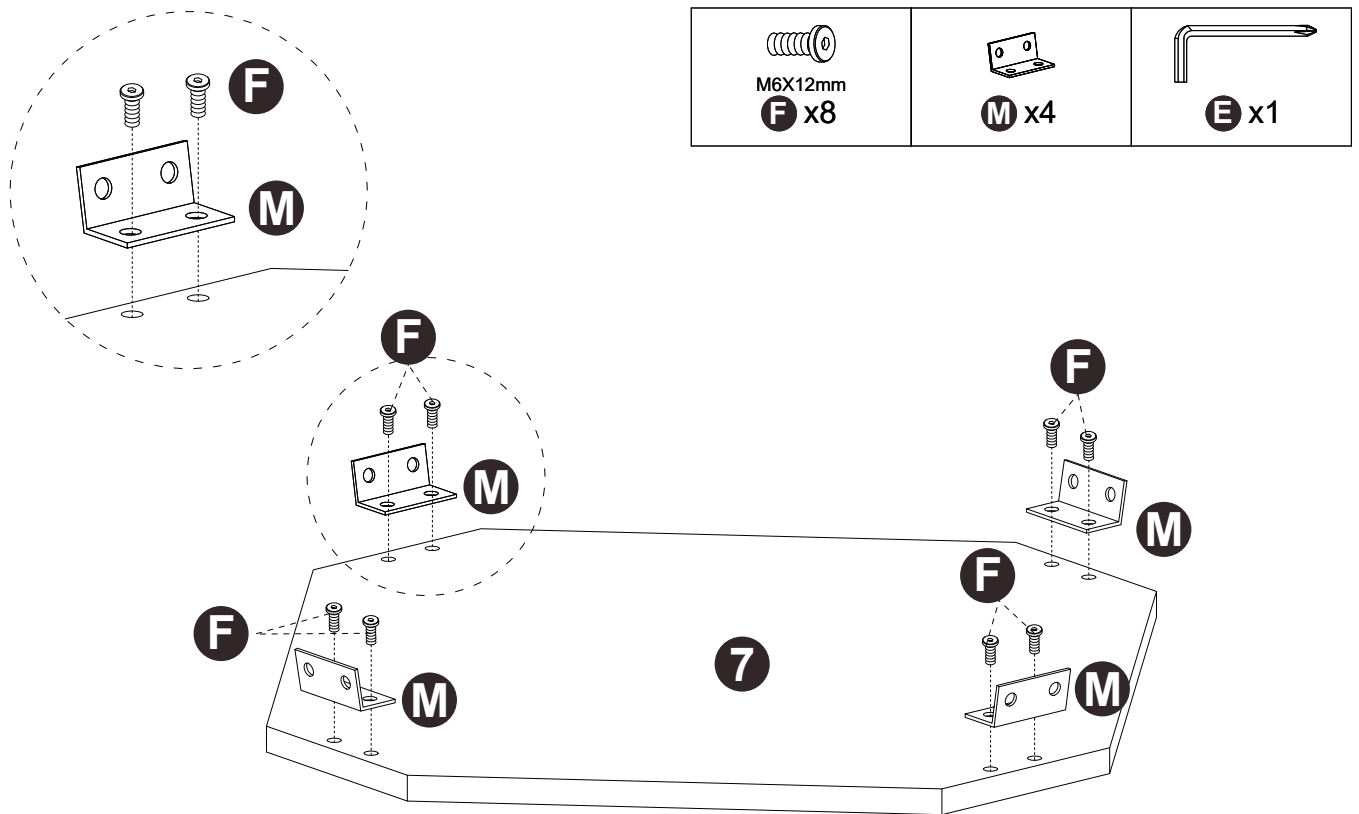
# Step 2





# Step 3

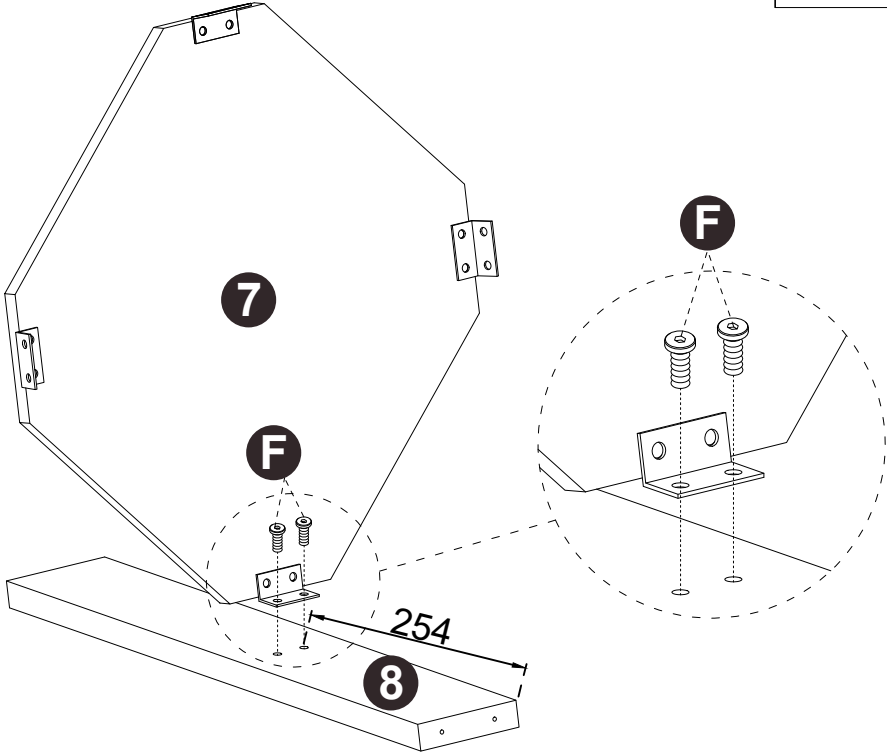


# Step 4

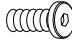



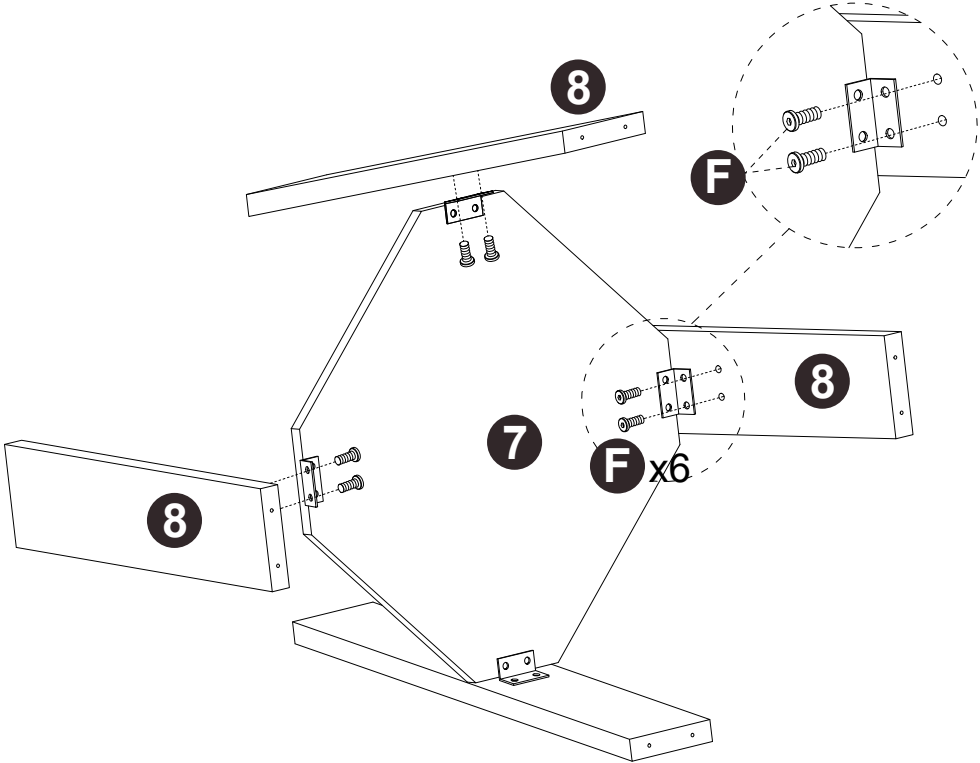
# Step 5

 M6X12mm <b>F</b> x2	 <b>E</b> x1
---	--

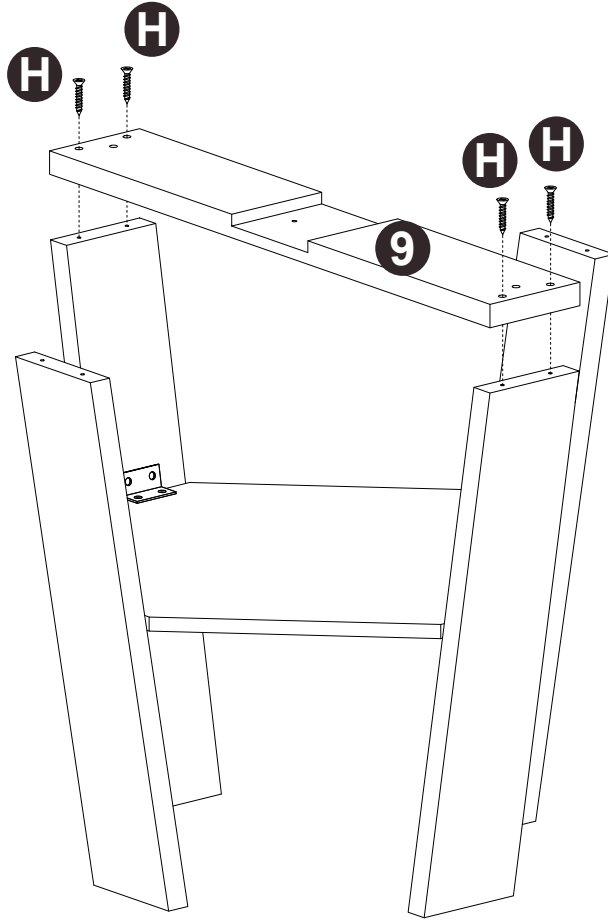



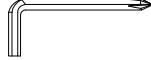
# Step 6

 M6X12mm <b>F</b> x6	 <b>E</b> x1
---	--

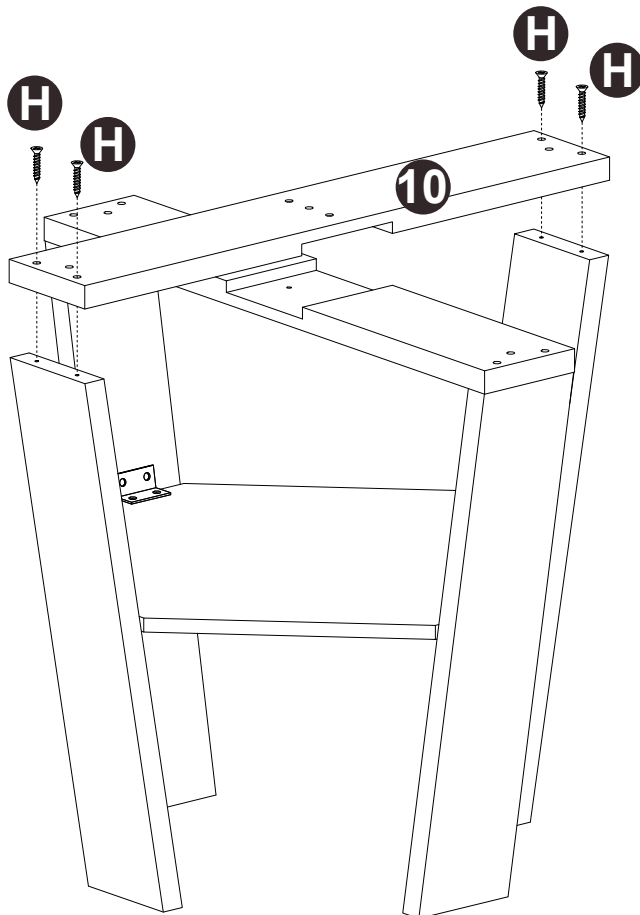




# Step 7



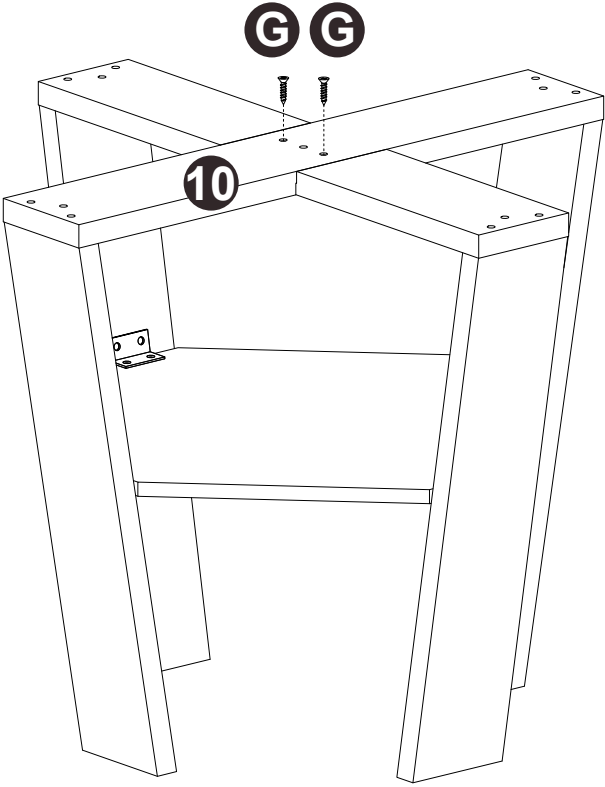
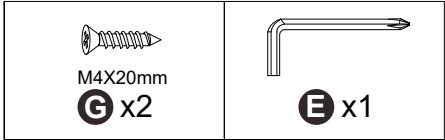
 M4X50mm <b>H</b> x4	 <b>E</b> x1
---	--

# Step 8

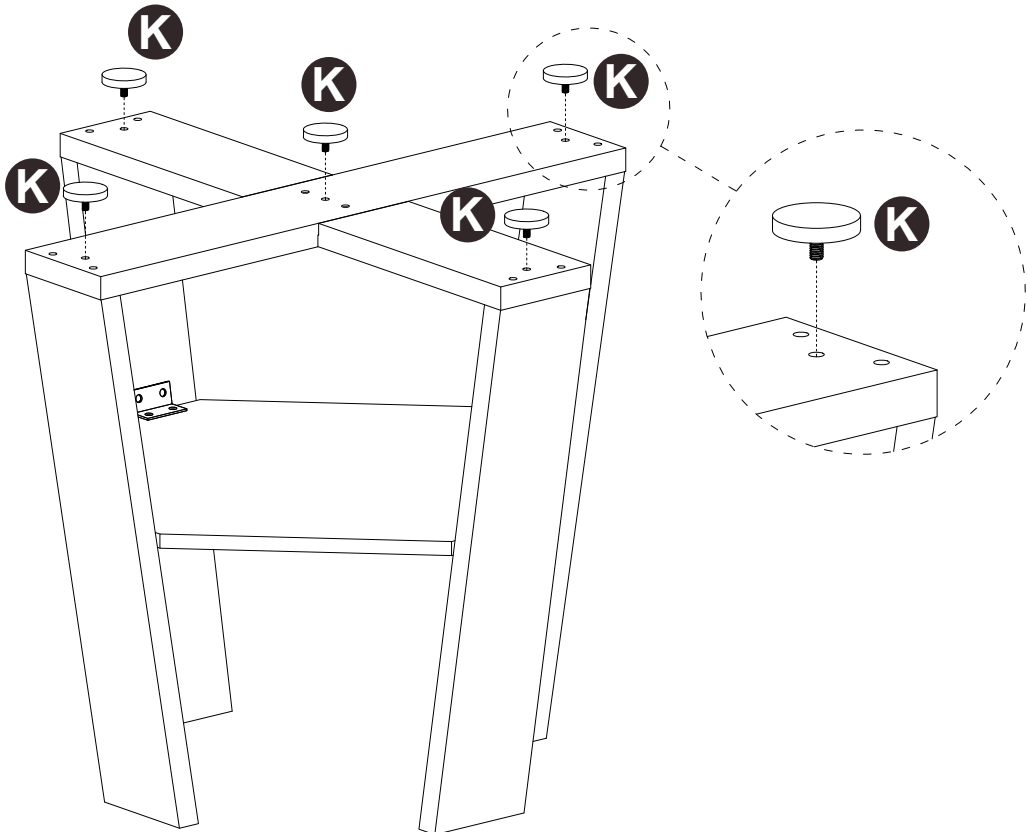
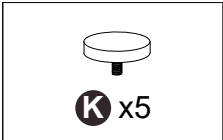


 M4X50mm <b>H</b> x4	 <b>E</b> x1
---	--



# Step 9

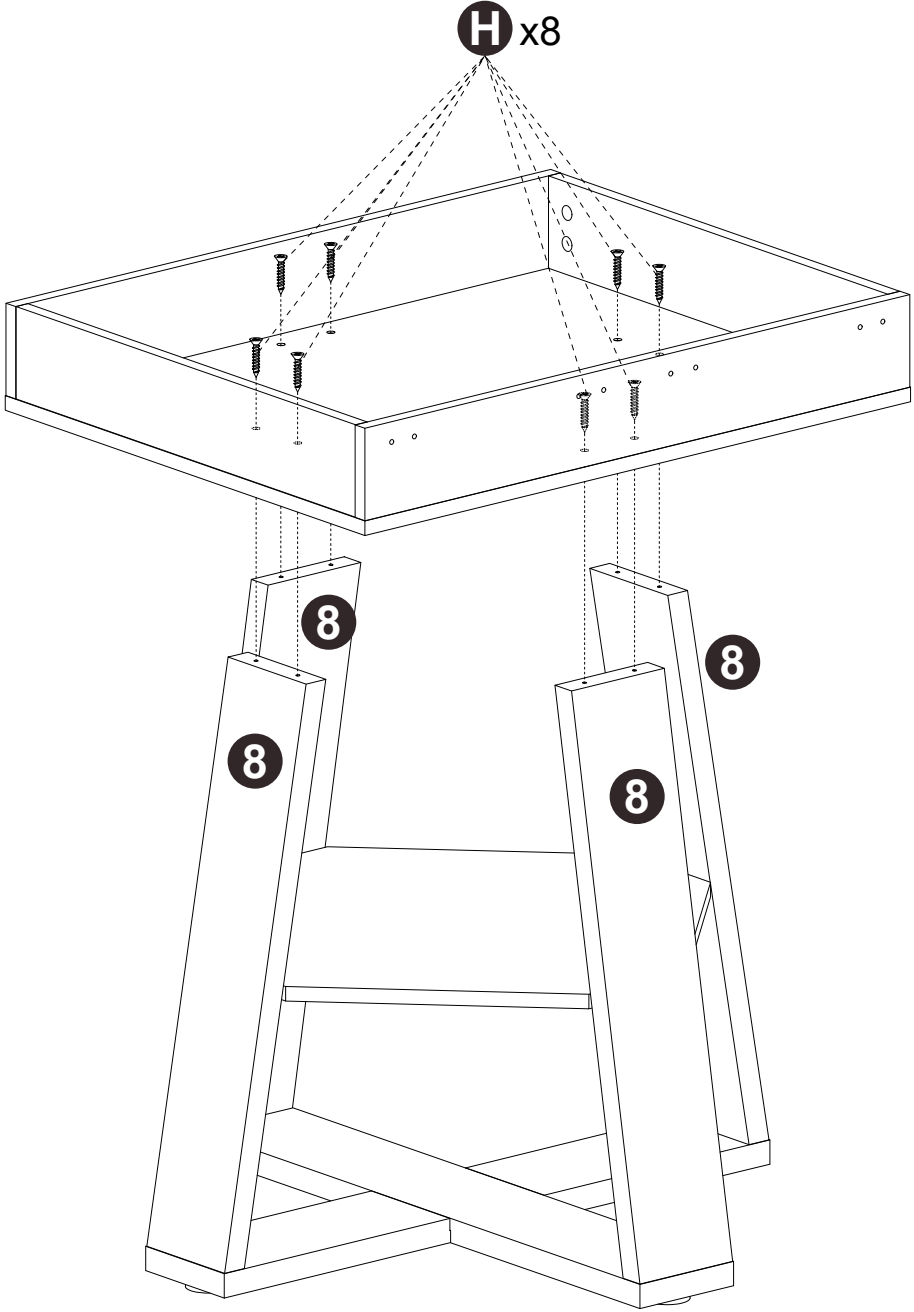


# Step 10





# Step 11

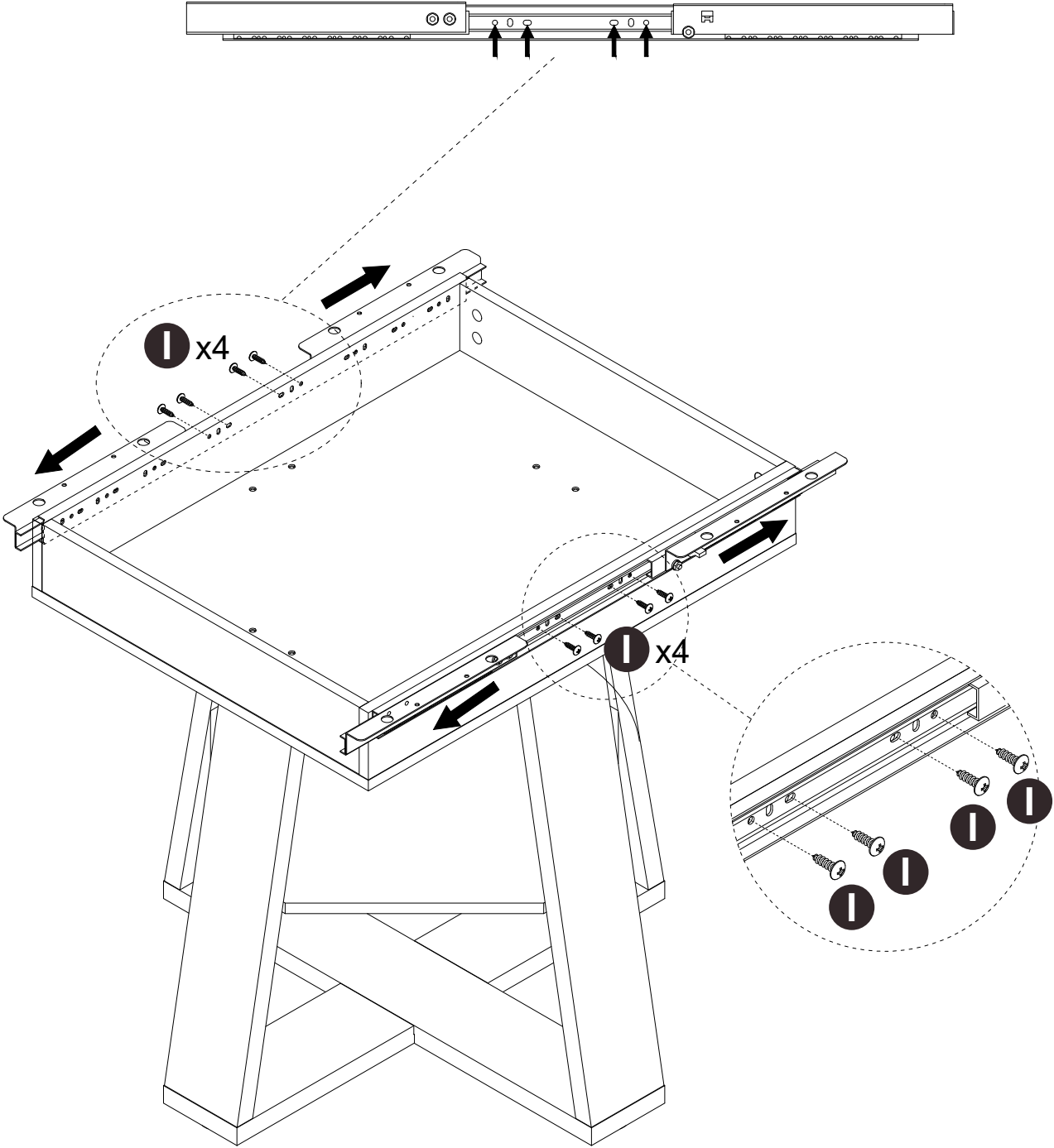
 M4X50mm <b>H</b> x8	 <b>E</b> x1
---	--








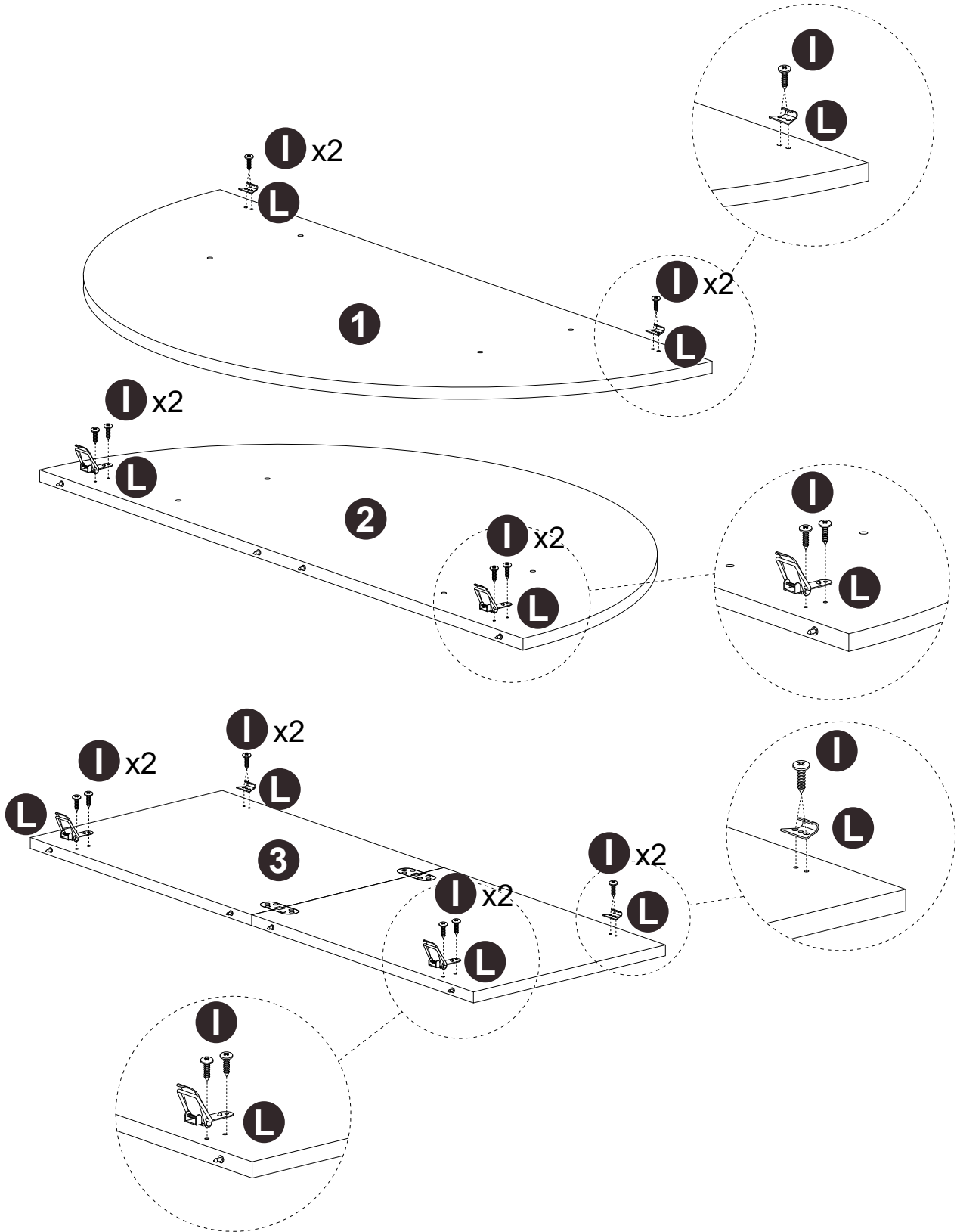
# Step 13

 M4X14mm <b>I</b> x8	 <b>E</b> x1
---	--



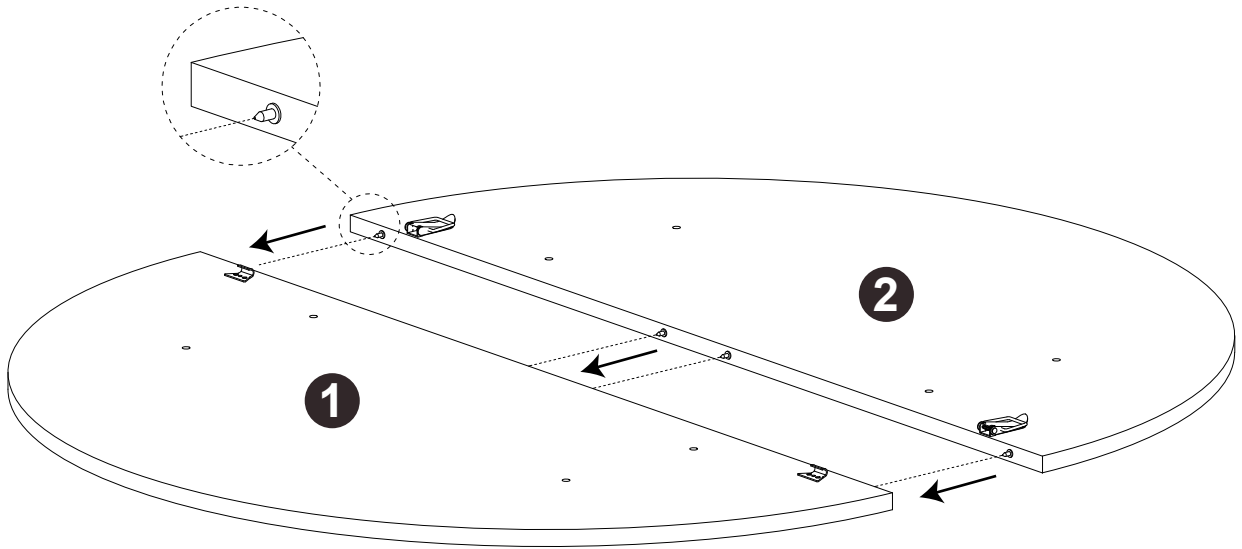
# Step 14

 M4X14mm <b>I</b> x16	 <b>L</b> x4	 <b>E</b> x1
---	--	--



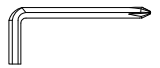


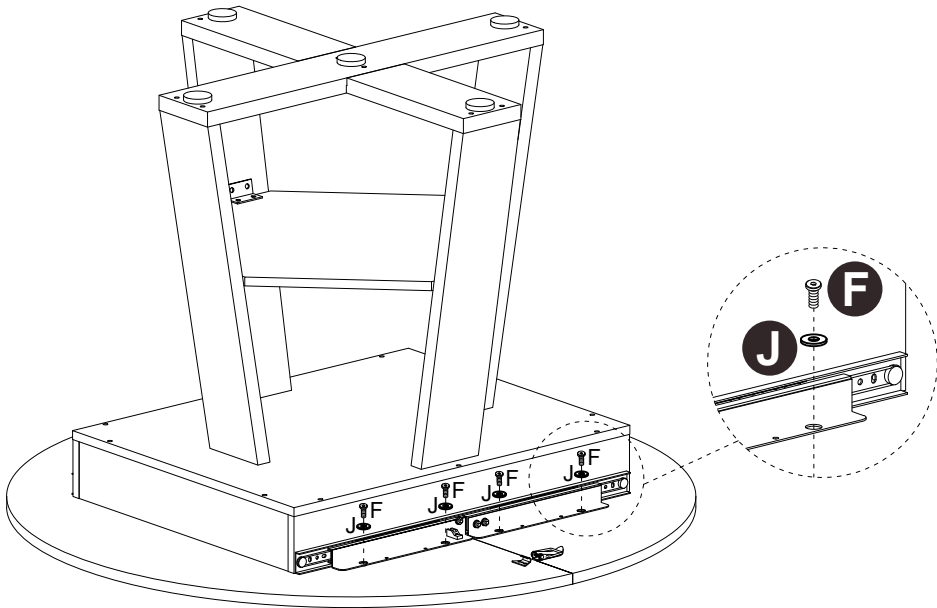
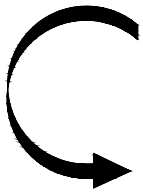
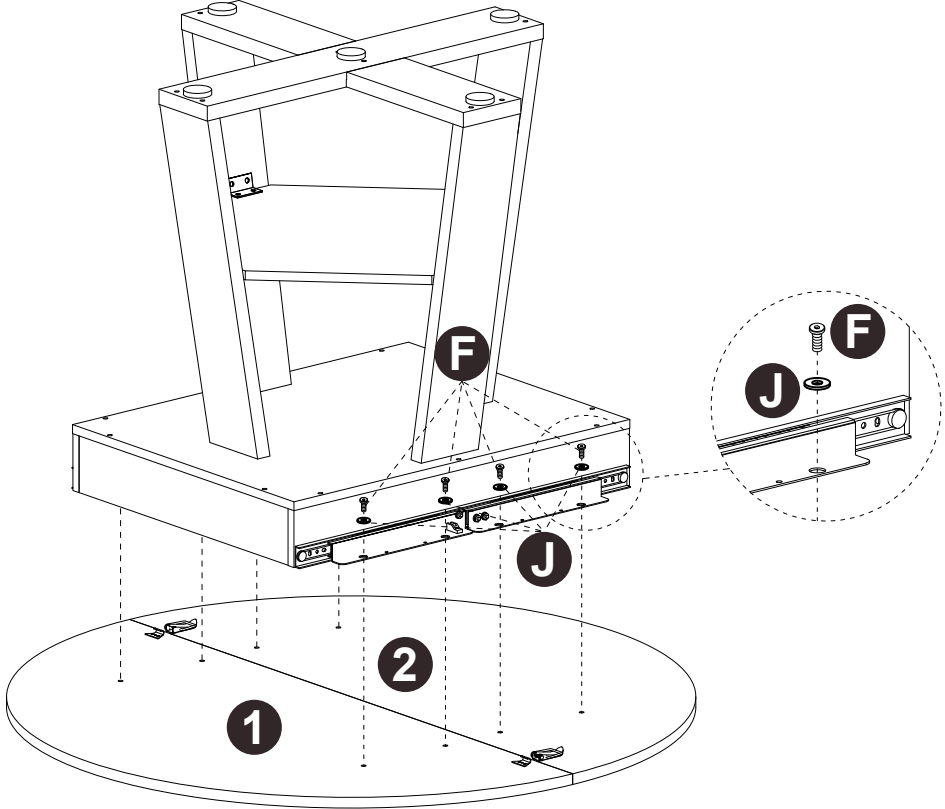
# Step 15

---



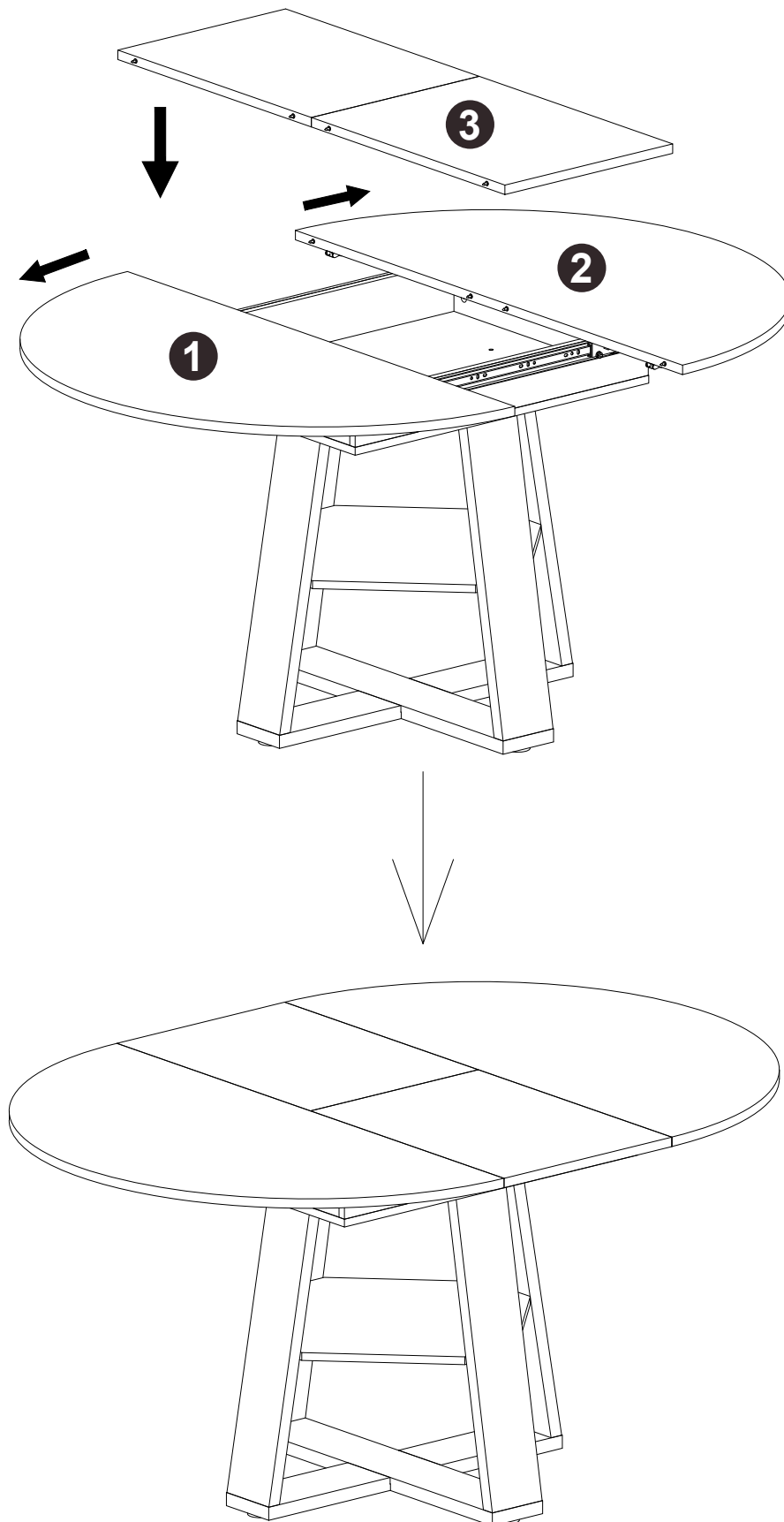
# Step 16

 M6X12mm <b>F</b> x8	 <b>J</b> x8	 <b>E</b> x1
--	--	--



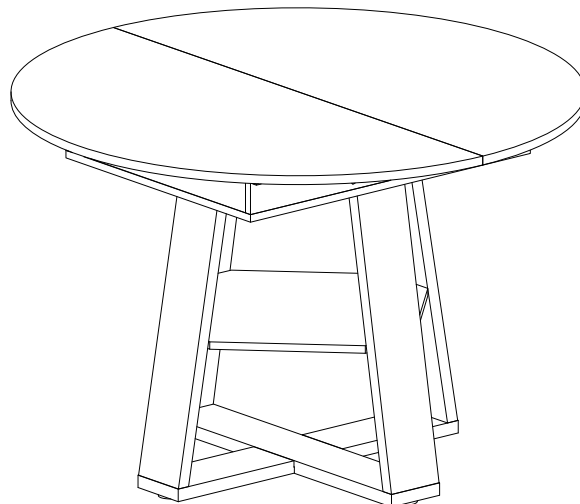
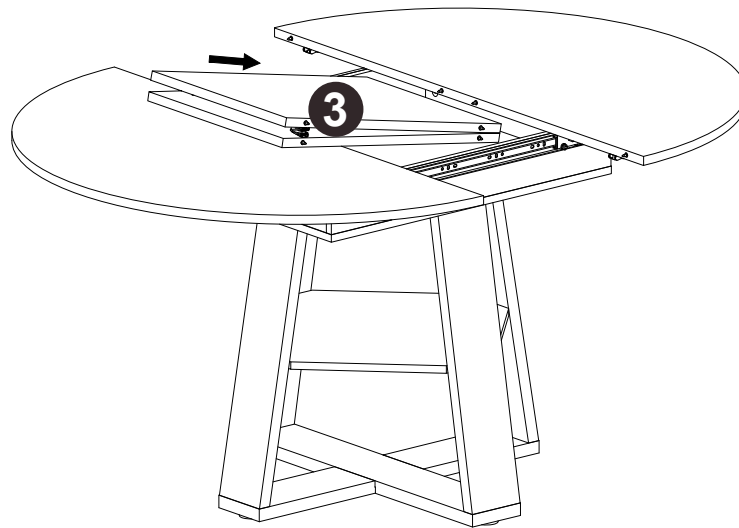
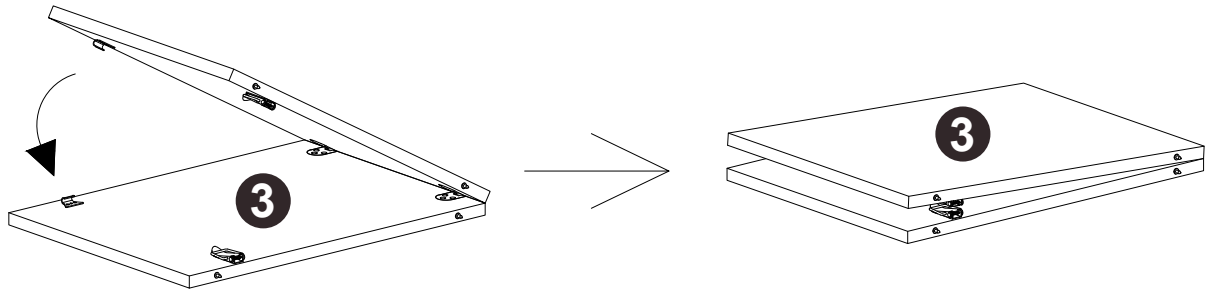
# Step 17

EN  
STYLE 1 / OPCIÓN 1 / STYLE 1



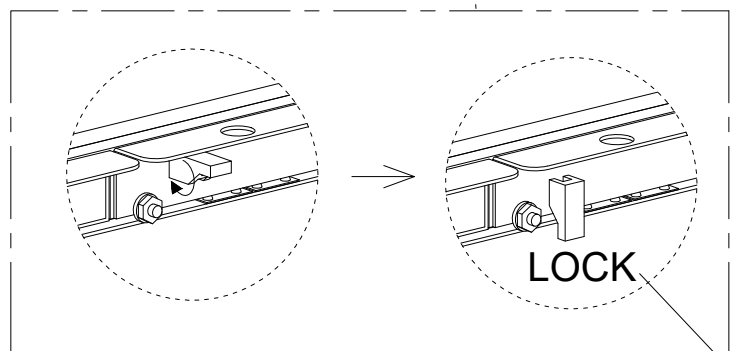
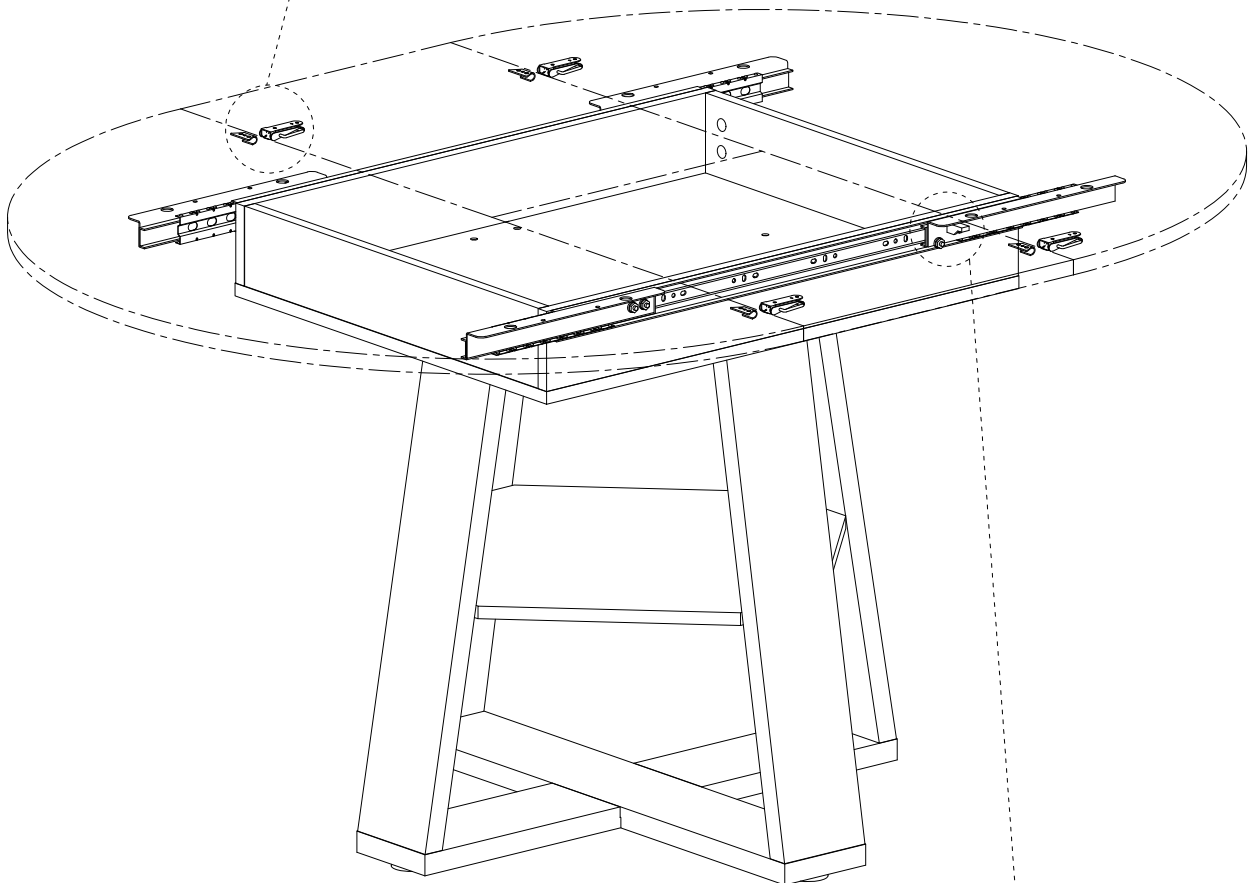
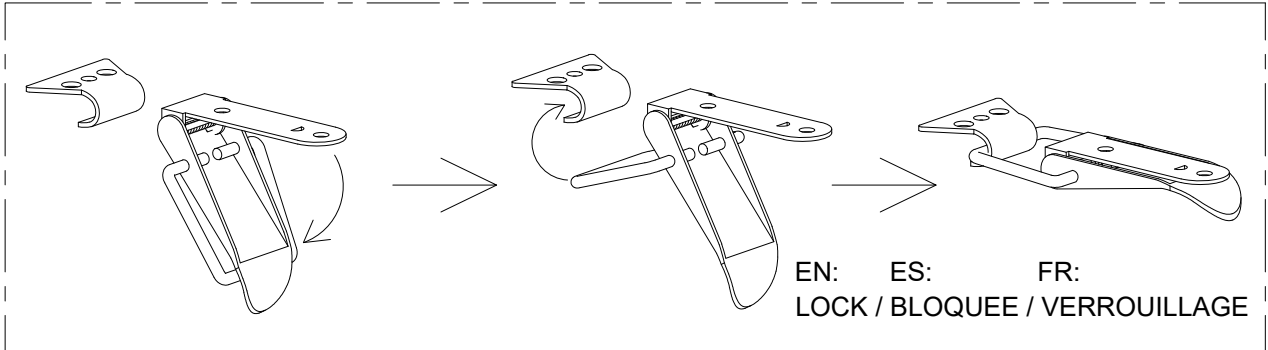
# Step 18

EN  
STYLE 2 / OPCIÓN 2 / STYLE 2



# Step 19

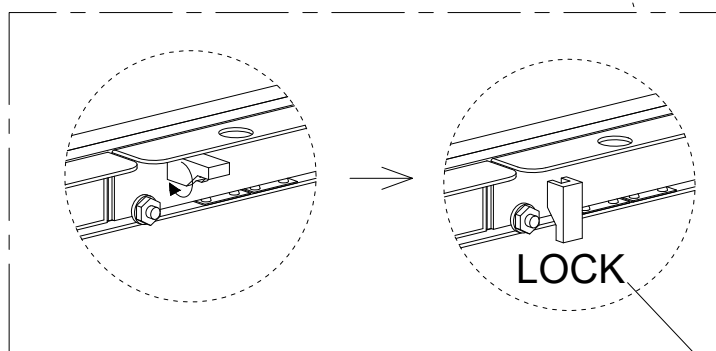
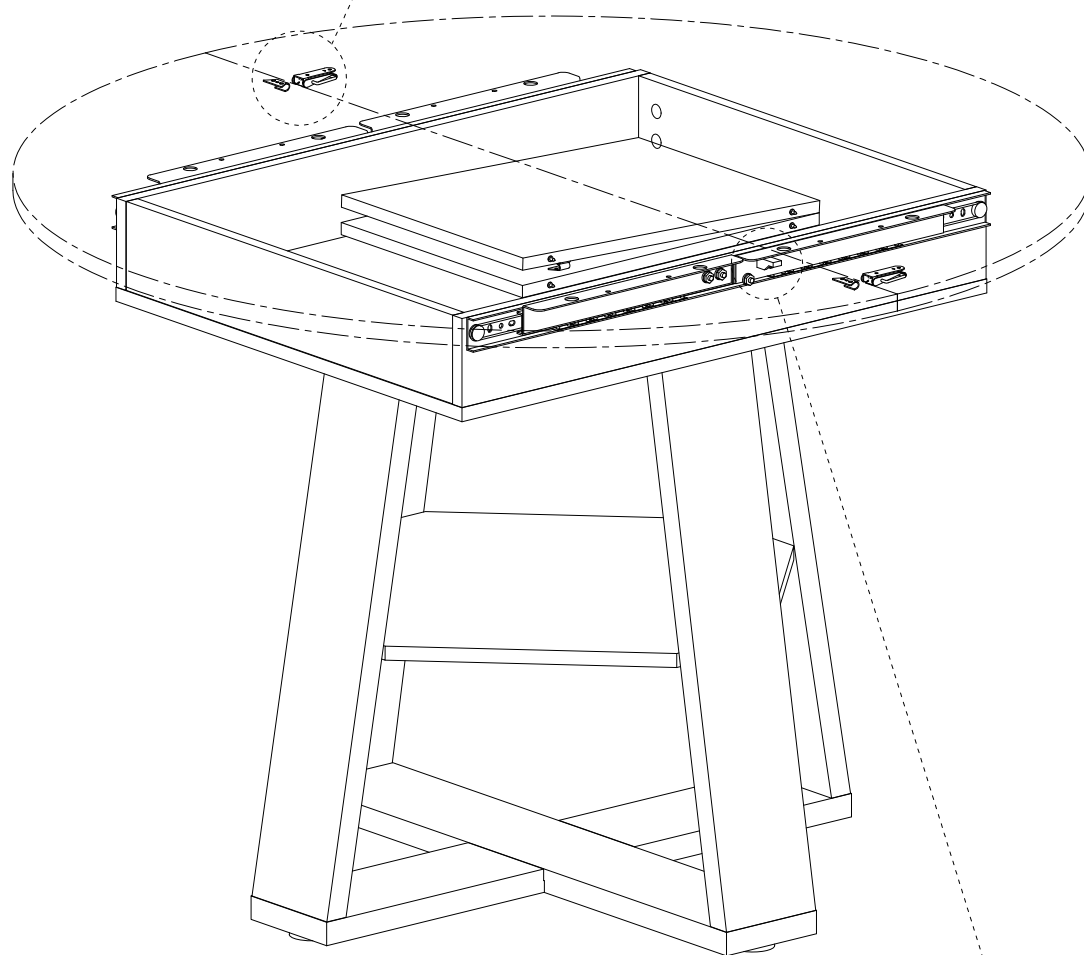
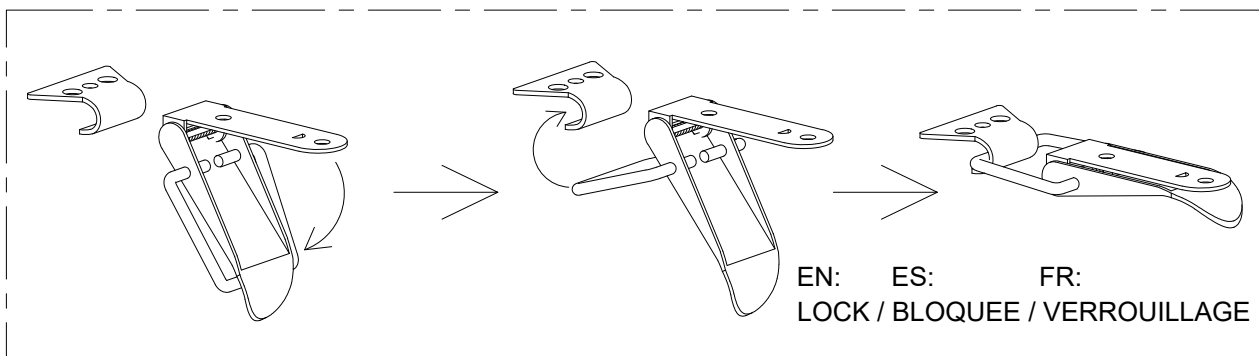
EN ES FR  
STYLE 1 / OPCIÓN 1 / STYLE 1



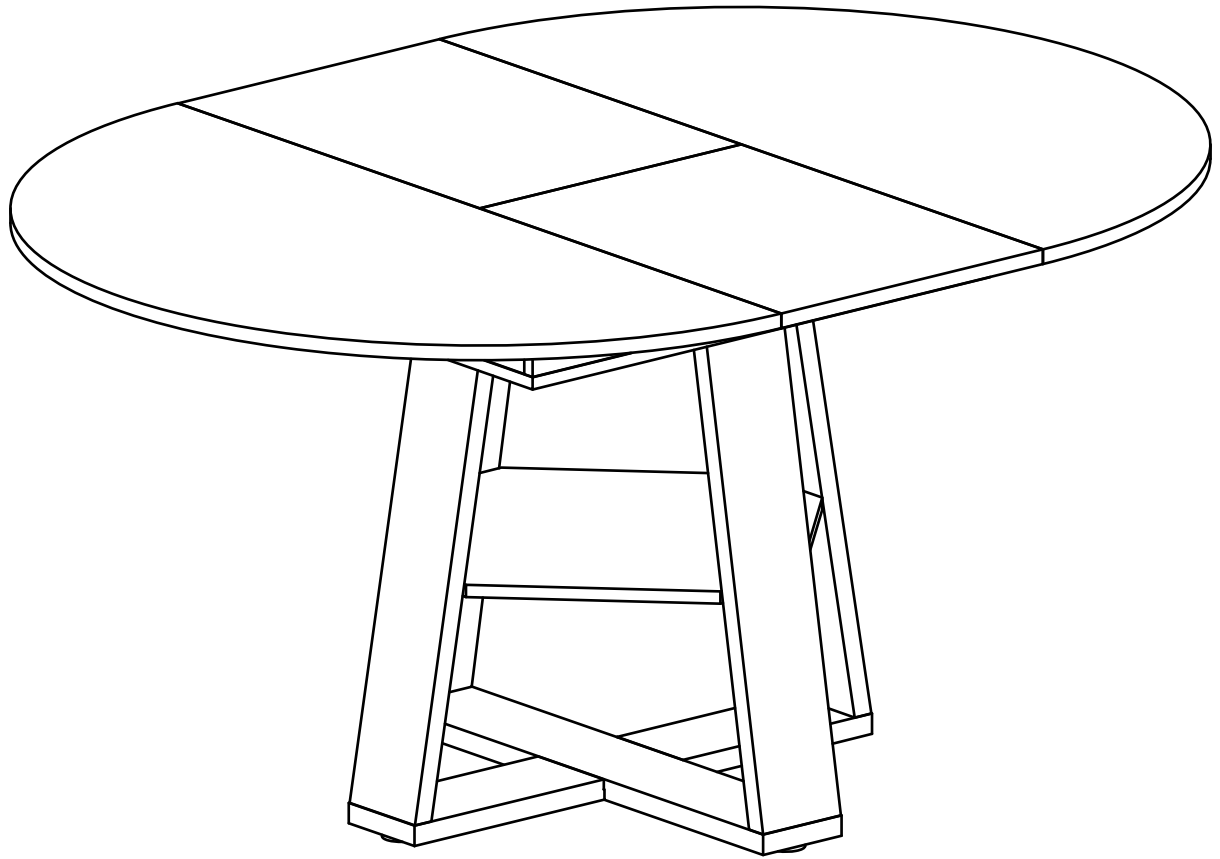
EN: ES: FR:  
LOCK / BLOQUEE / VERROUILLAGE

# Step 20

EN  
STYLE 2 / OPCIÓN 2 / STYLE 2



EN: ES: FR:  
LOCK / BLOQUEE / VERROUILLAGE



Thank you for choosing this product. We strive to provide you with the best quality products and service in the industry. Should you have any issues, please don't hesitate to contact us.