



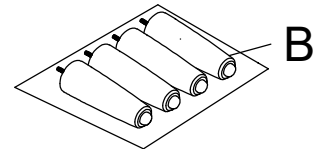
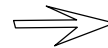
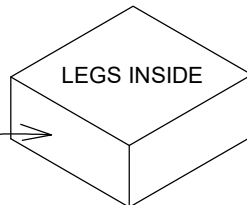
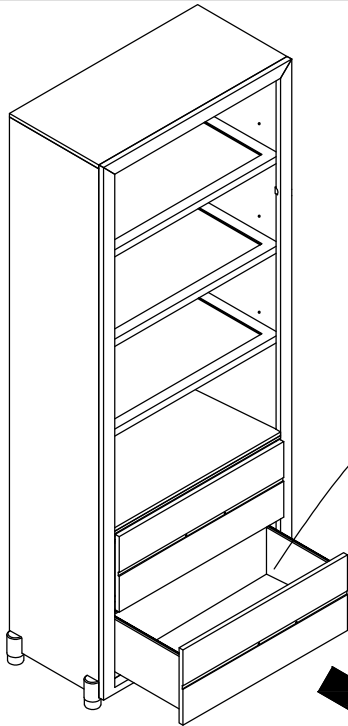
LEGENDS
HOME

Assembly Instruction

ZTRN-3001: Tranquility Bookcase Pier

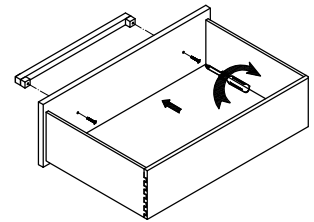
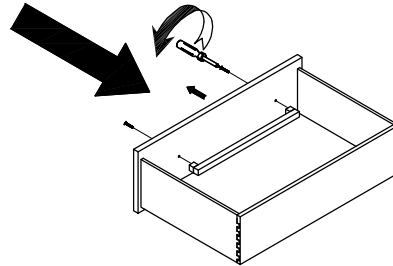
Step 1

Take part (B) legs box from bottom drawer .



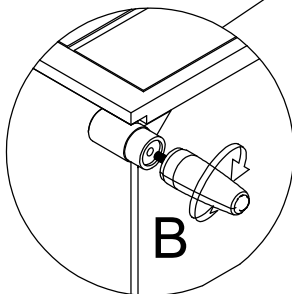
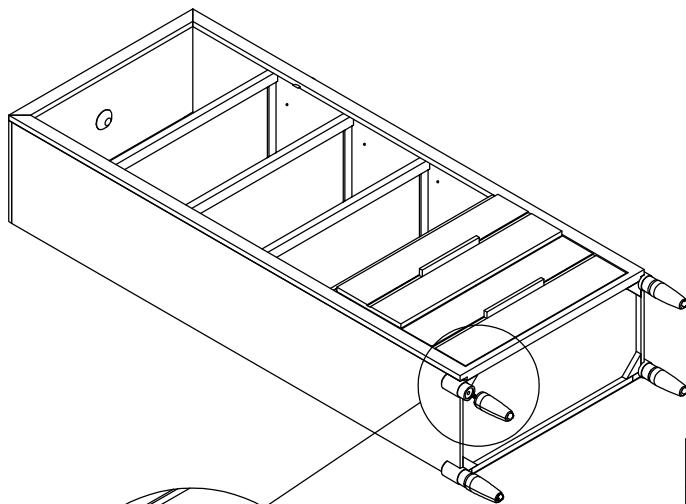
Step 2

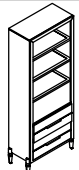

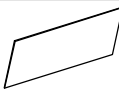
NOTE: Requires Phillips Head Screwdriver (Not Included)



Step 2

Tighten legs (B) onto bookcase pier .



NO.	PARTS LIST		Q'TY
A	Bookcase Pier		1pc
B	Leg		4 pcs
C	Glass		3 pcs

Thanks for Choosing Legends Home.



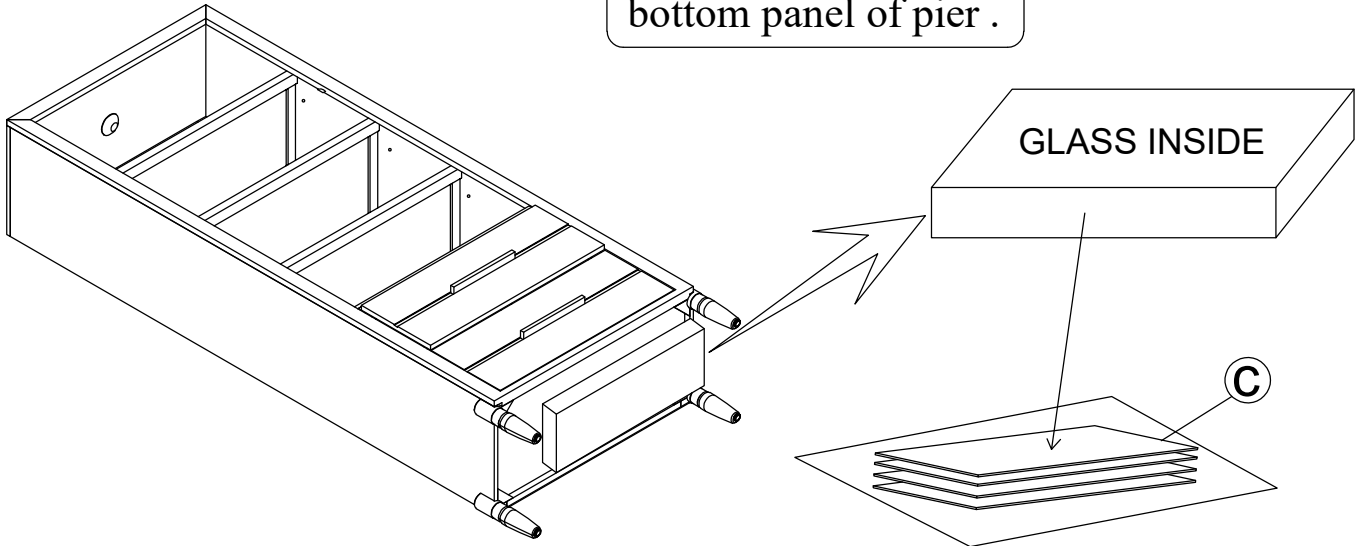
LEGENDS
HOME

Assembly Instruction

ZTRN-3001: Tranquility Bookcase Pier

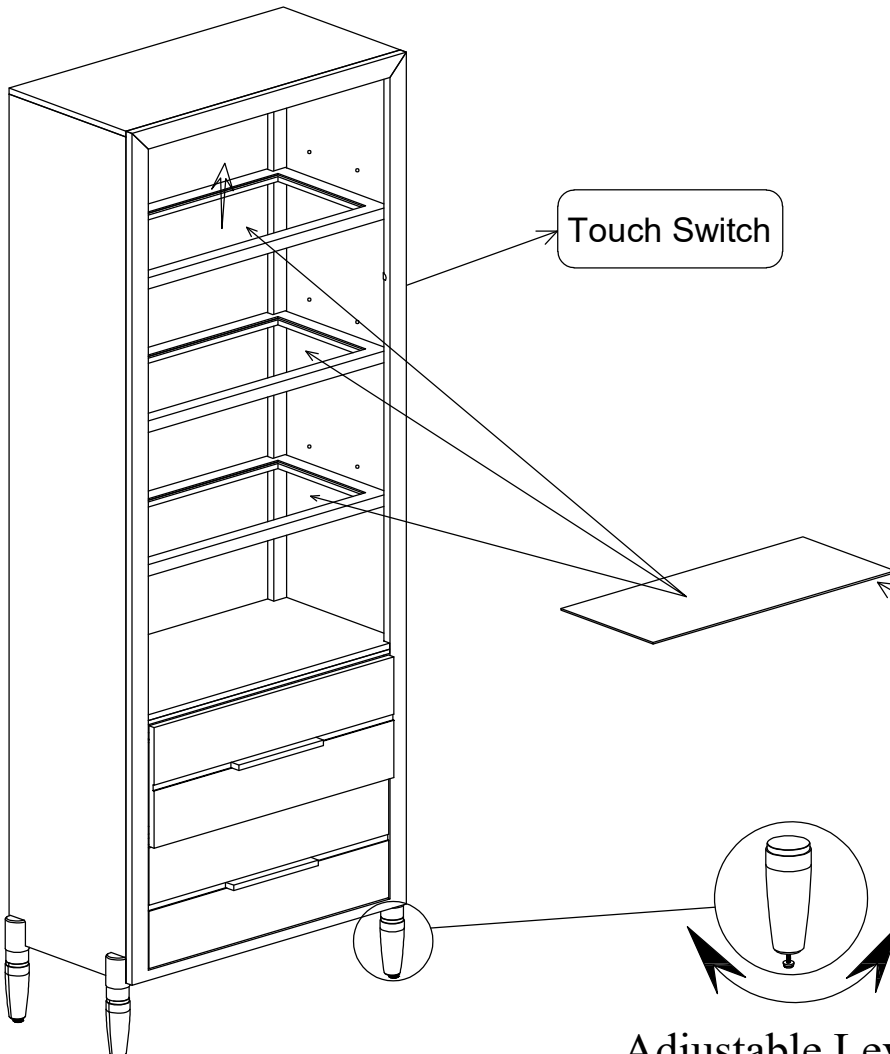
Step 3

Take glass (C) from bottom panel of pier .



Step 4

To adjust the height of shelf panel , remove the srew and adjust the shelf pins .



Step 5

Set the glass (C) into the shelf frame .

Adjustable Leveler

Thanks for Choosing Legends Home.