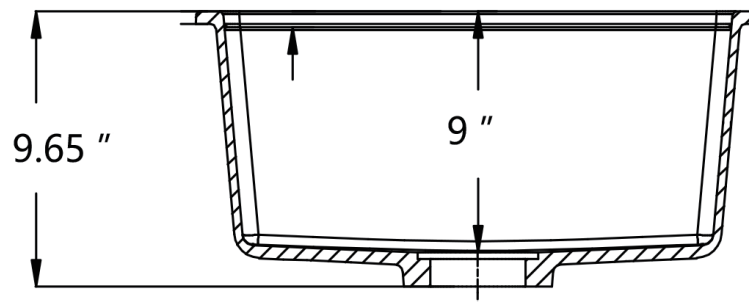
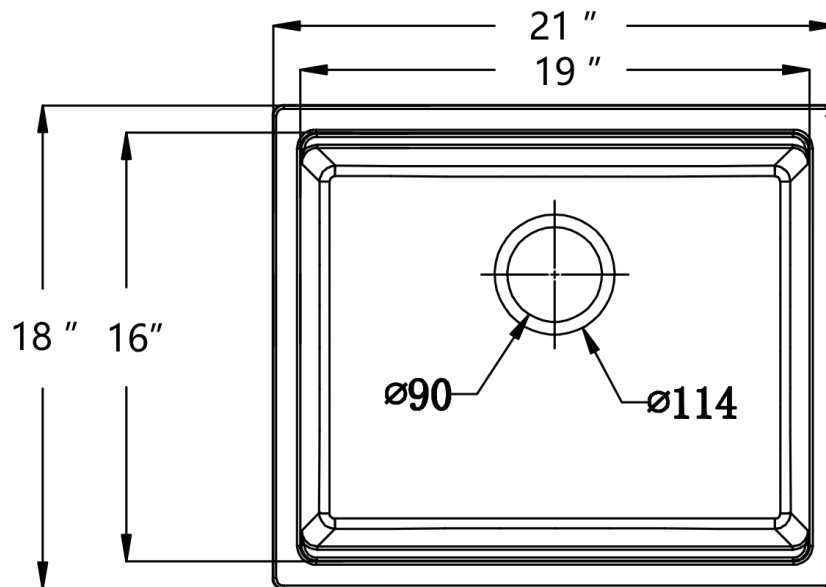


# Dimension/Specification



Sink size : 21Length\* 18Width\* 9 5/8Depth  
MINIMUM BASE CABINET : 24"WIDE, STANDARD 3 1/2" OPENING WILL.  
AVAILABLE FOR GARBAGE DISPOSAL UNIT.

**Sku RX-QS01-2118W**