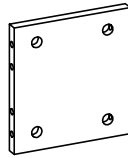


Ax2



Bx3



Cx12



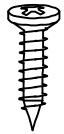
Dx12



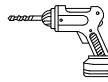
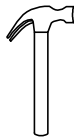
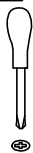
Ex12



Fx4



Gx8



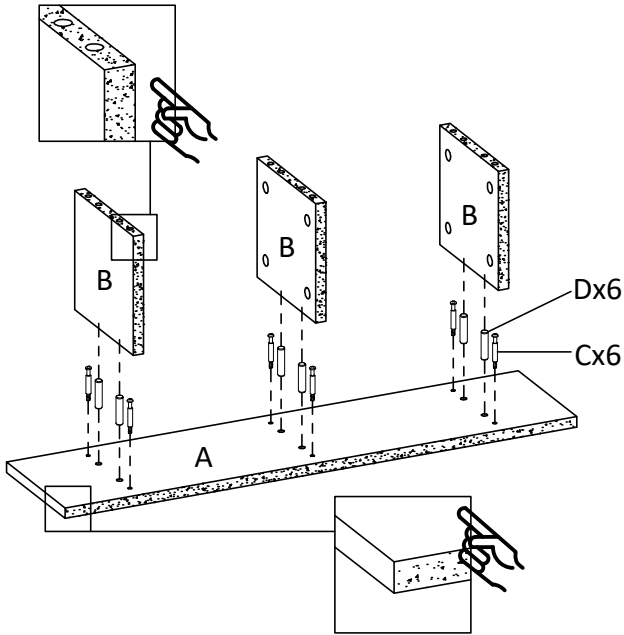
ESE



mm  
inch

x2

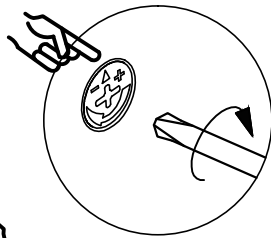
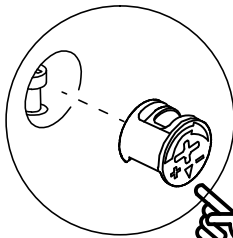
①



Cx6

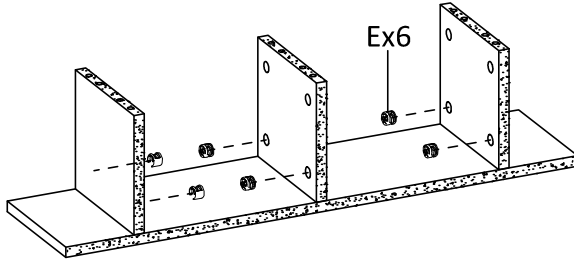


Dux6



②

Ex6

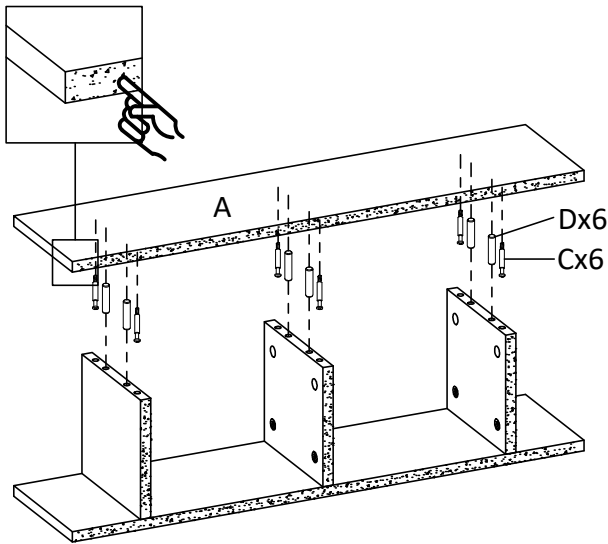


③

Cx6

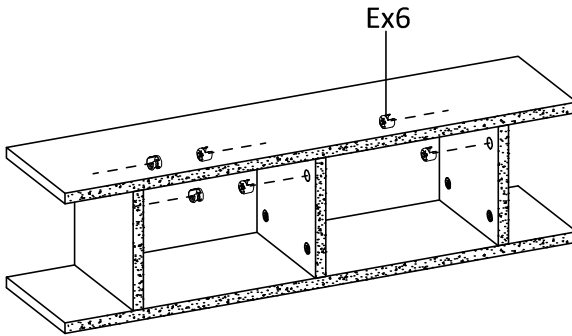


Dx6

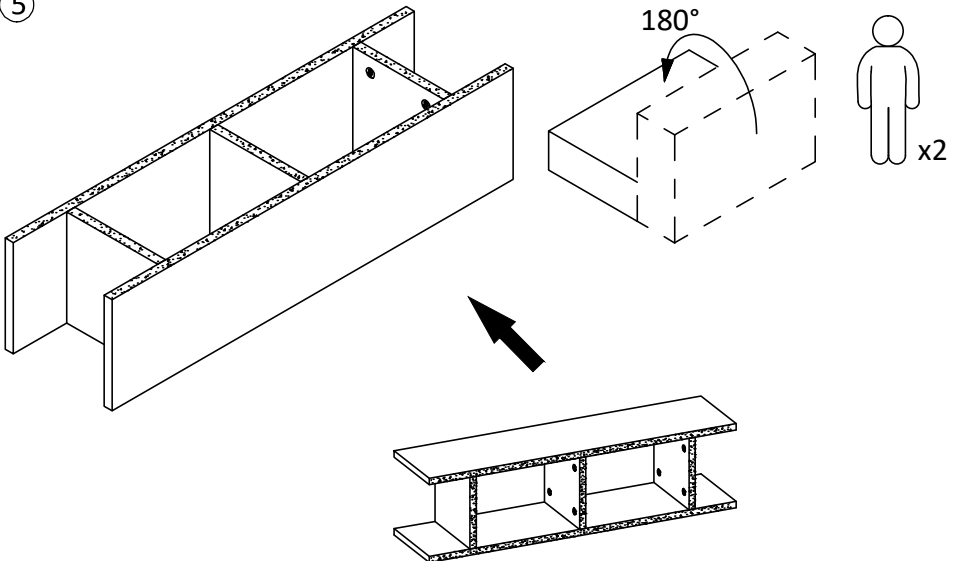


4

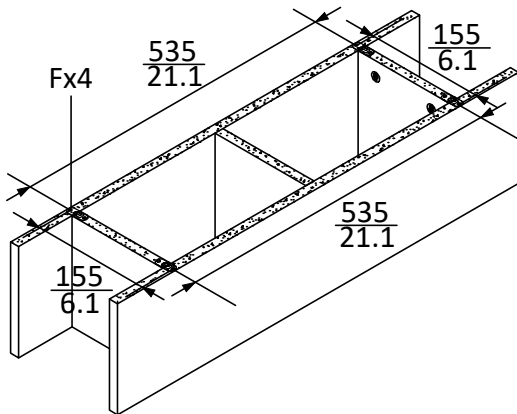
Ex6



5



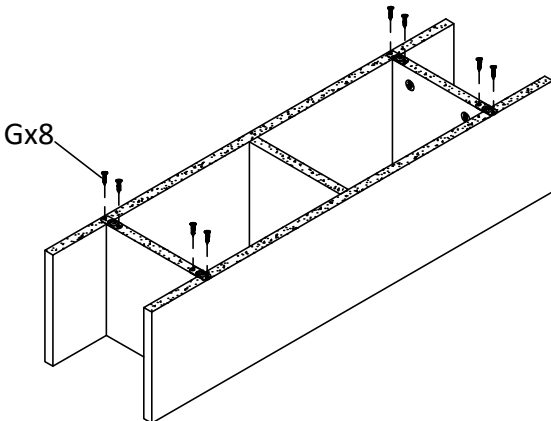
⑥



Fx4



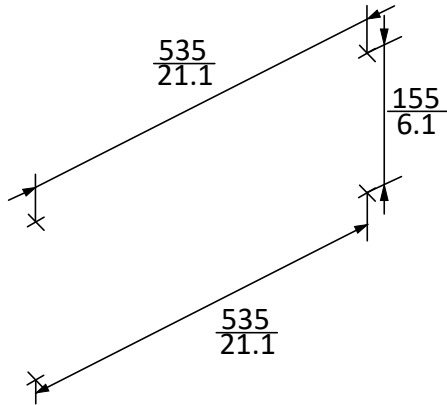
⑦



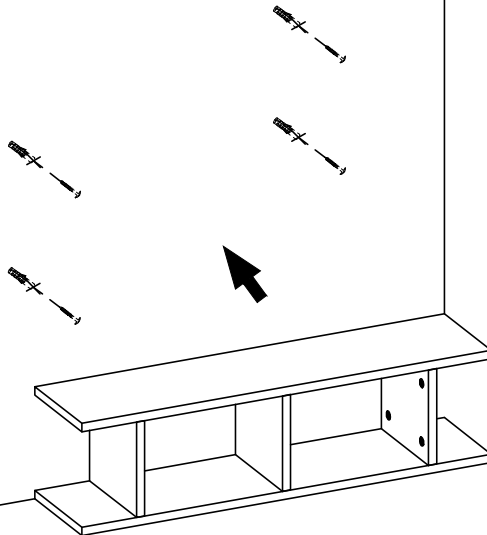
Gx8



⑧



⑨



10

