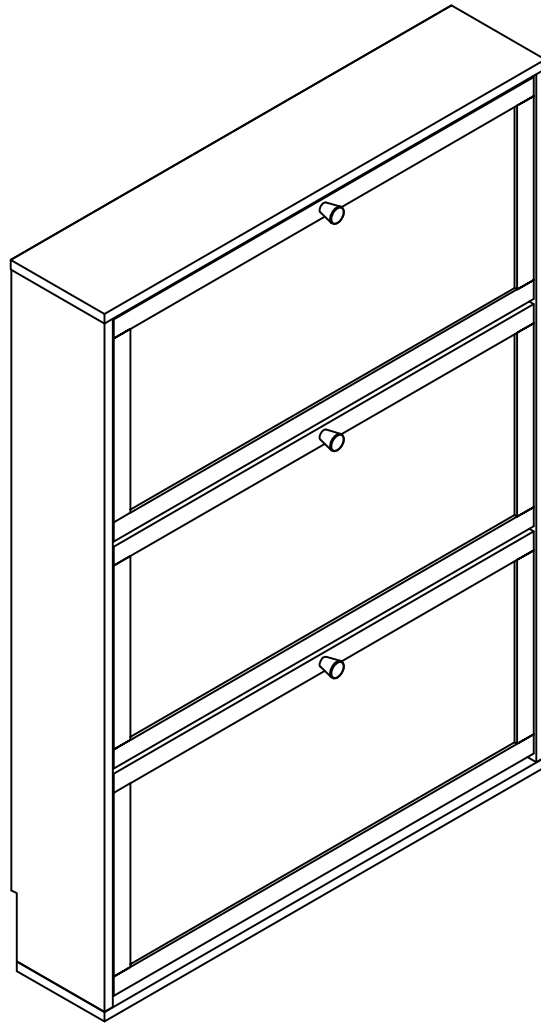


# Installation Instruction

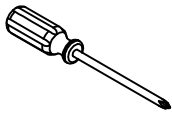


# Assembling

---

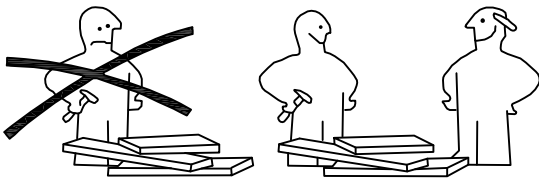
## What you need

- Use the packaging carton as a working surface to prevent product damage during assembly
- Phillips head screwdriver



## Weight Limitation

 **100** | **35**  
lbs table top      lbs per

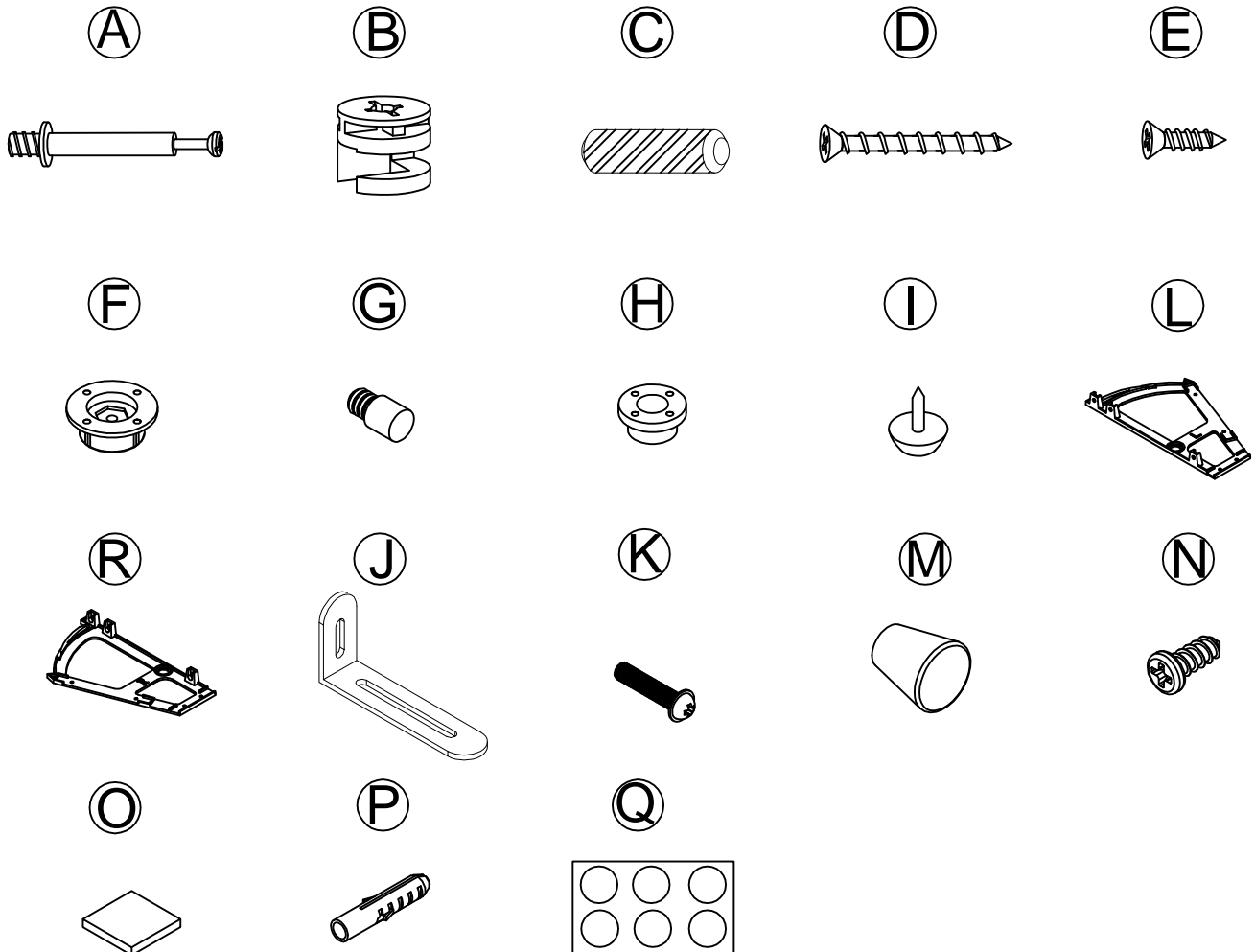


# What' included

---

Code Description	Qty
A Cam Bolt M6X35MM	16
B Cam Lock 15X10MM	16
C Wooden Dowel M7.8X30MM	4
D Screw M4X40MM	6
E The screw M3.5X16MM	44
F Inner Shaft	6
G Stopper	6
H External Shaft	6
I Mats	6
L Left Plastic Holder	3
R Right Plastic Holder	3
J Metal connector	2
K Cam Bolt M4X18MM	3
M Metal shake handhandle	3
N Screw M4X10MM	6
O EVA MATS	6
P Anchor	2
Q Hole position sticker	16

# The Hardwares



## IMPORTANT:

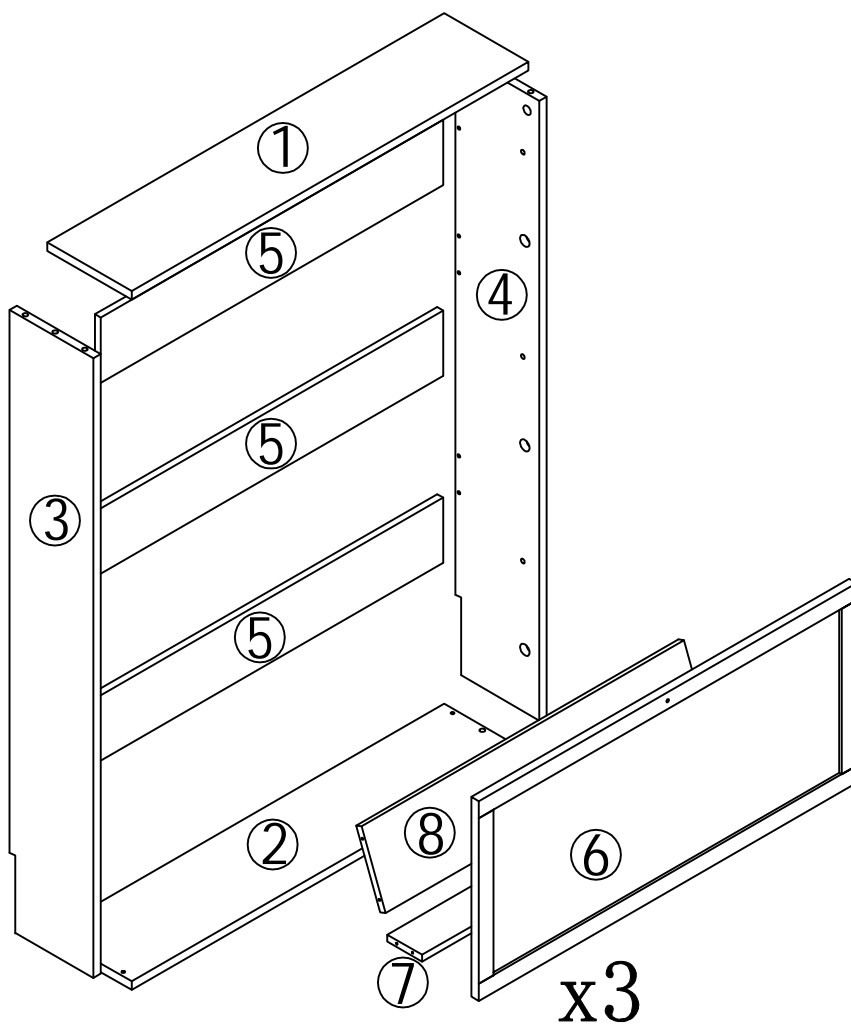
1. Do not tighten bolts / screws completely until all bolts / screws are lined up and inserted into holes.
2. Do not over tighten screws and bolts to avoid stripping
3. Please use hand tools to assemble this product, you can also use power tools (please use power tools carefully)

# Included Accessories

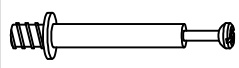
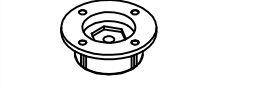
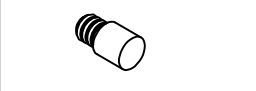
---

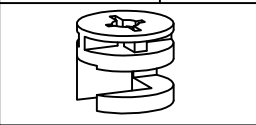
Code	Description	Qty
1	Cabinet Top	1
2	Bottom Panel	1
3	Left Side Panel	1
4	Right Side Panel	1
5	Back stiffener	3
6	Door	3
7	Inner lamella	3
8	Large inner plate	3

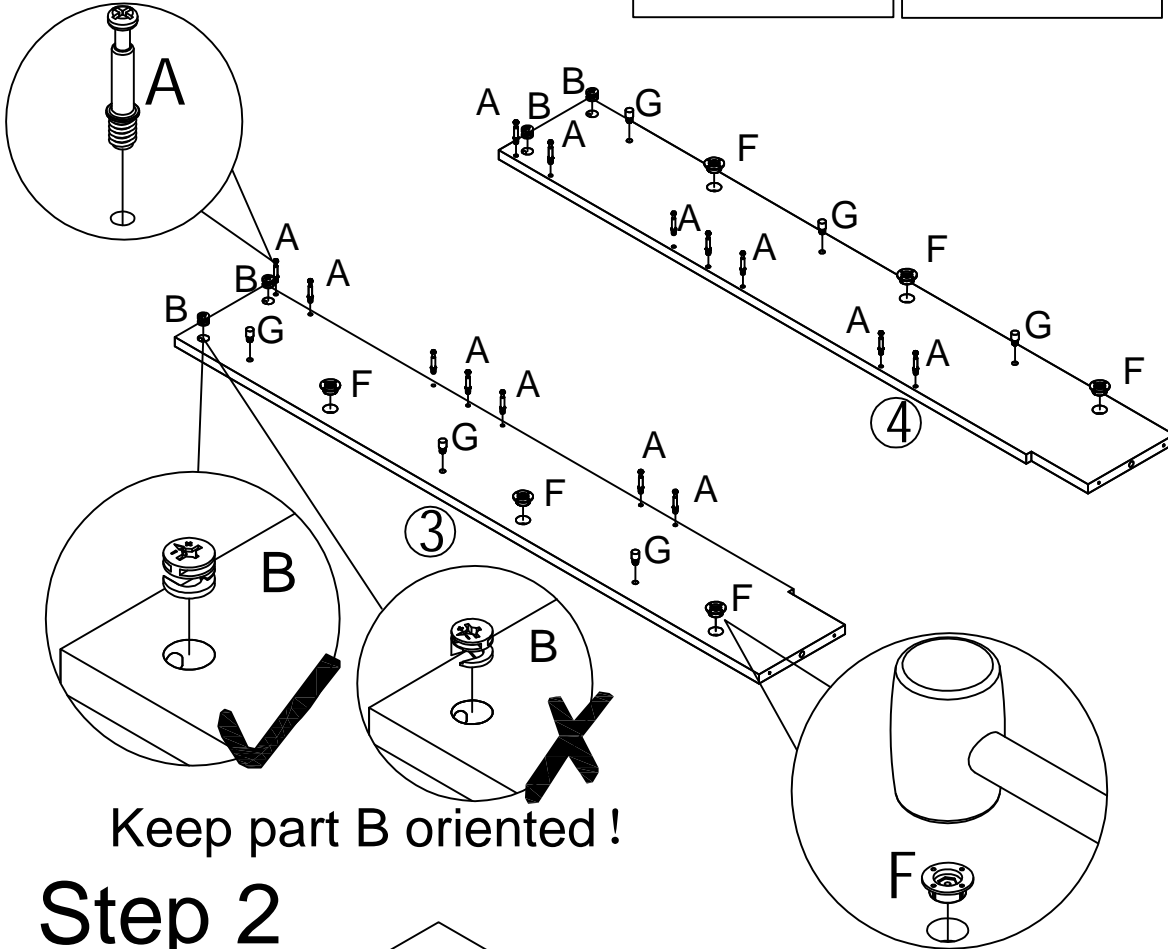
# The Accessoriess



# Step 1

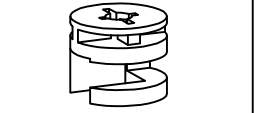
A	×12	F	×6	G	×6
					

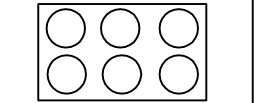
B	×4
	

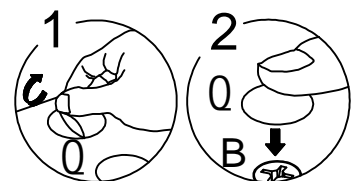
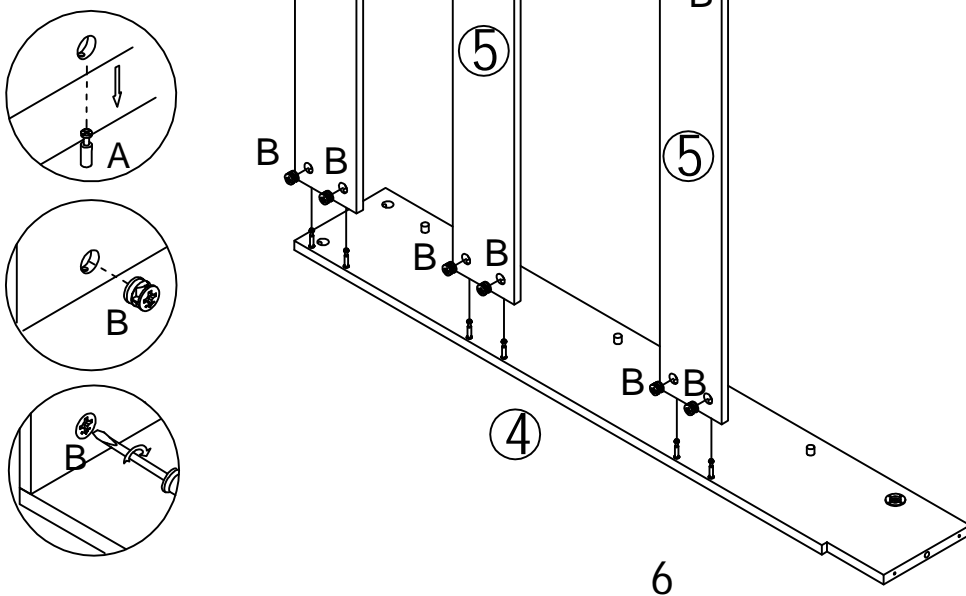


Keep part B oriented!

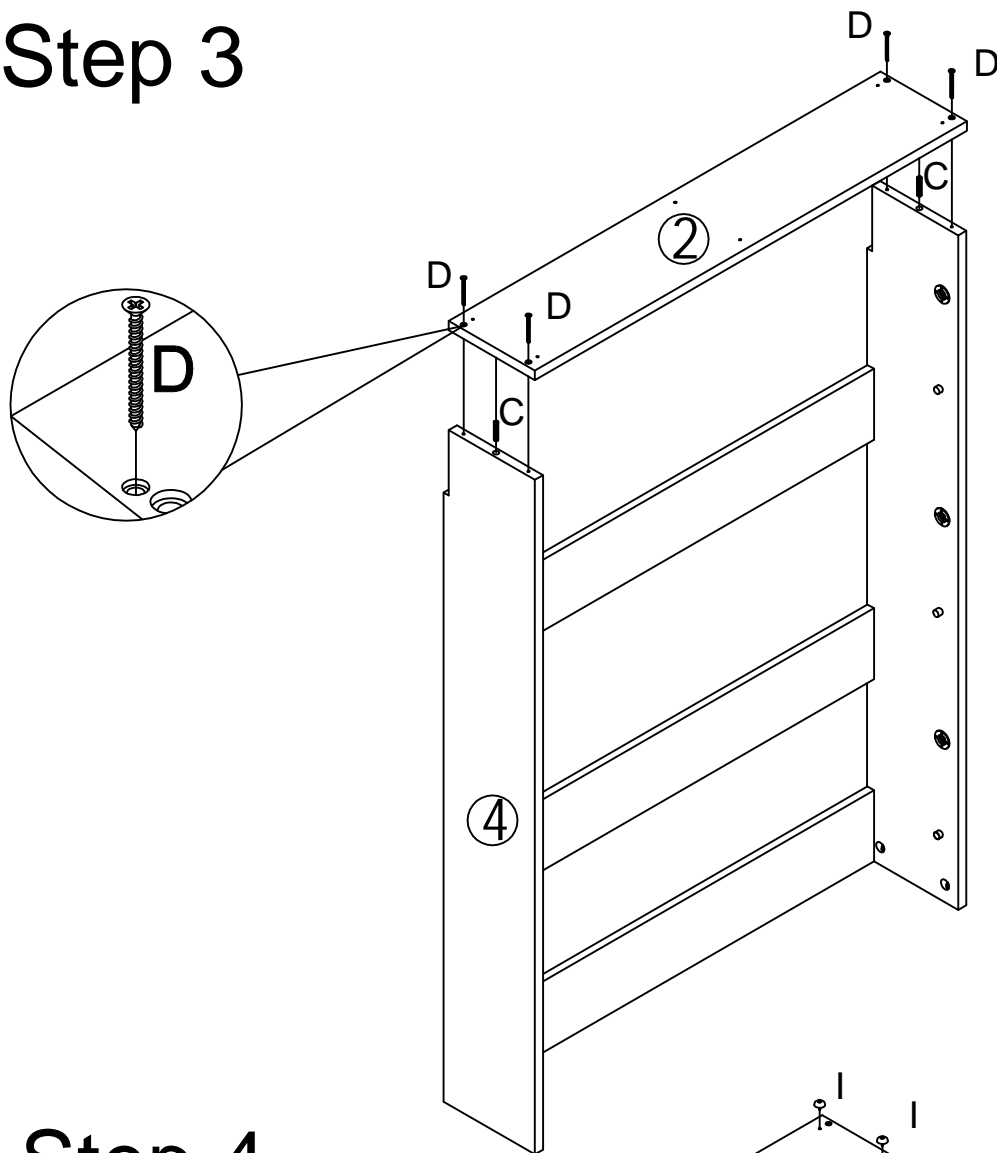
# Step 2

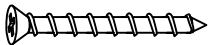

B	×12
	

Q	×12
	

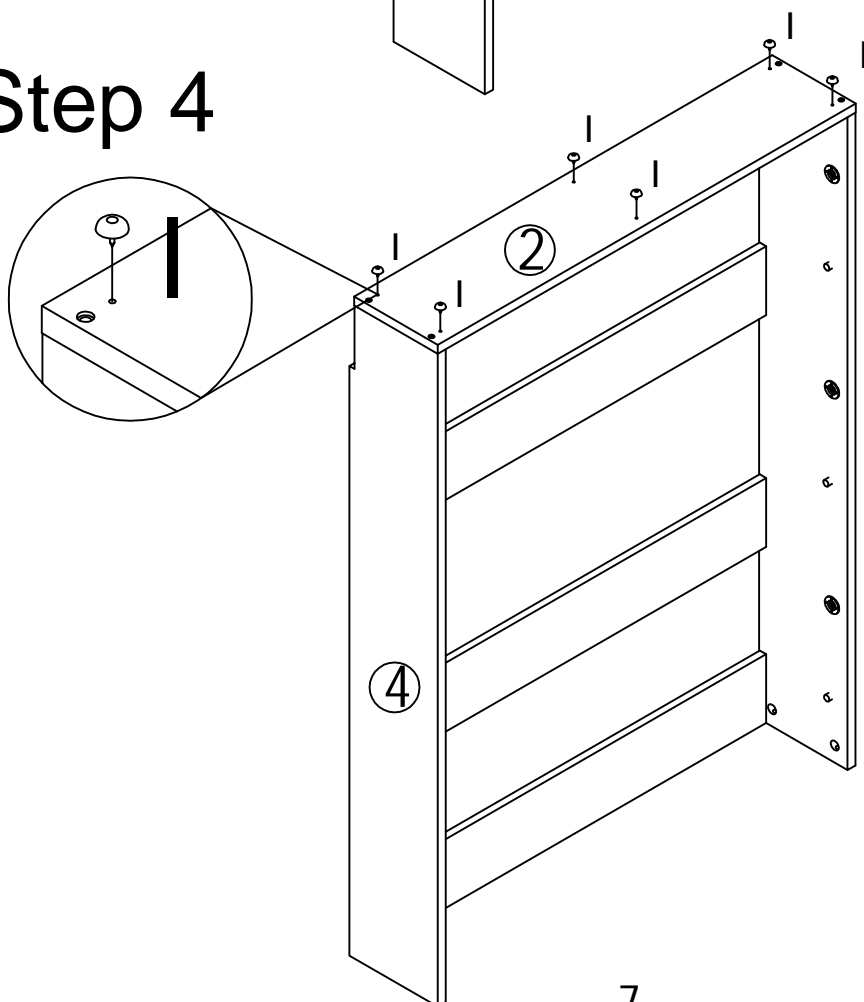



# Step 3



D	×4
	
C	×2
	

# Step 4

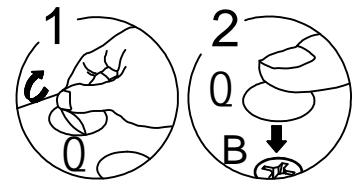
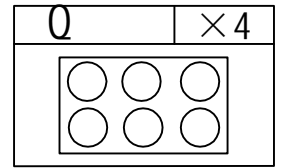
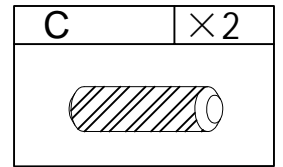
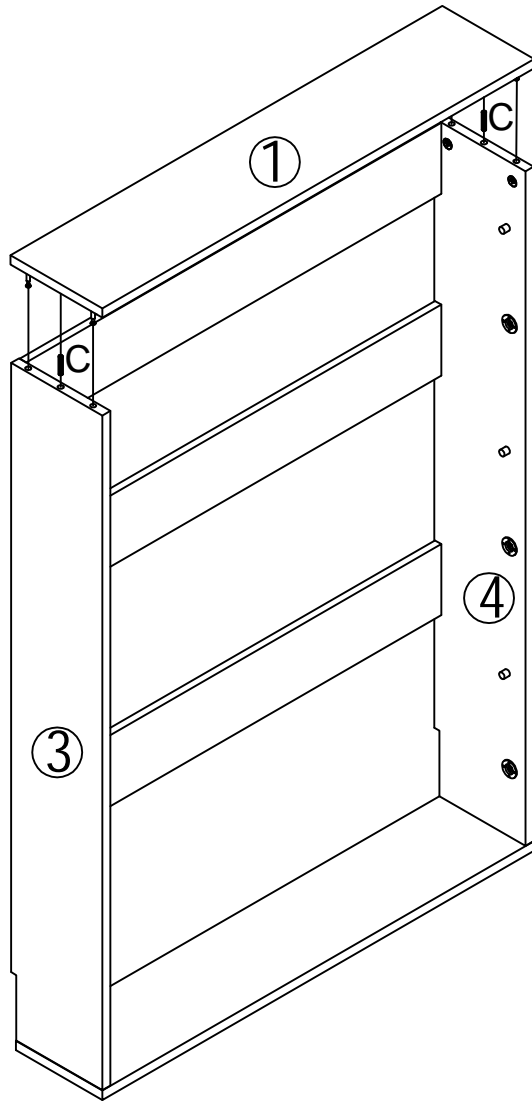
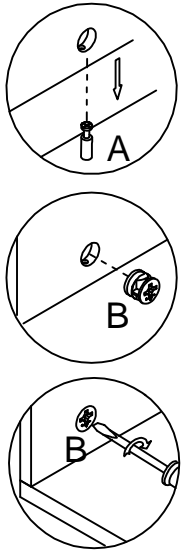


I	×6
	

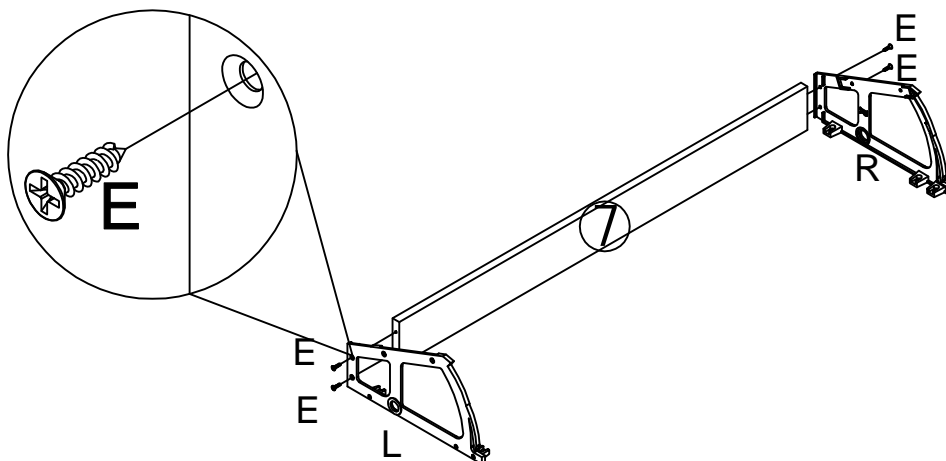
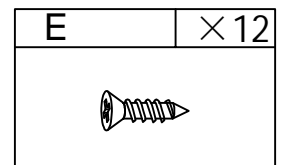
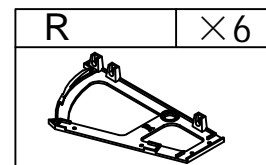
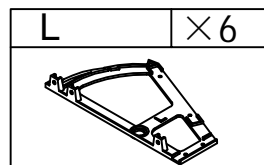
You can freely choose the accessory I or accessory O to use. Please follow step 4 to install the accessory I and Step 5 to install the accessory O!



# Step 7

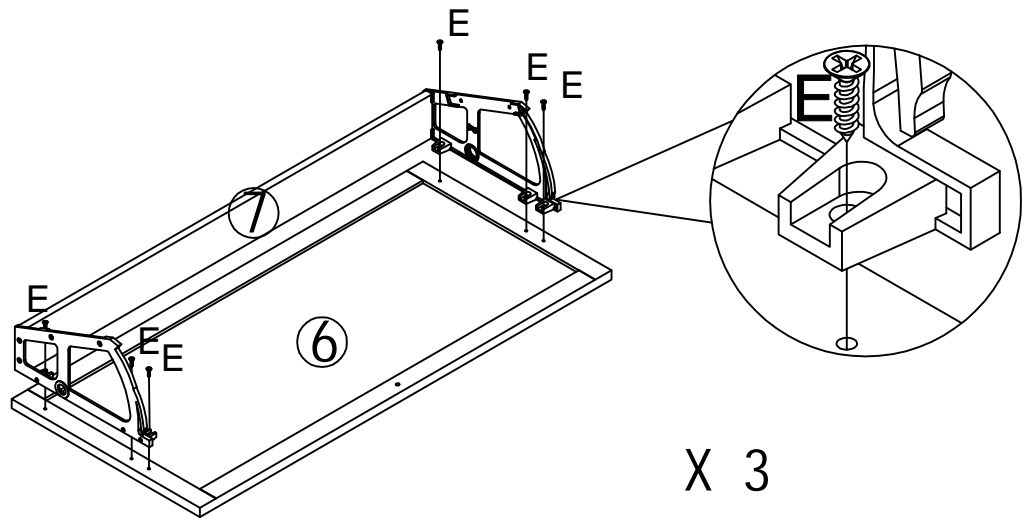
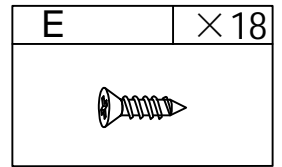


# Step 8

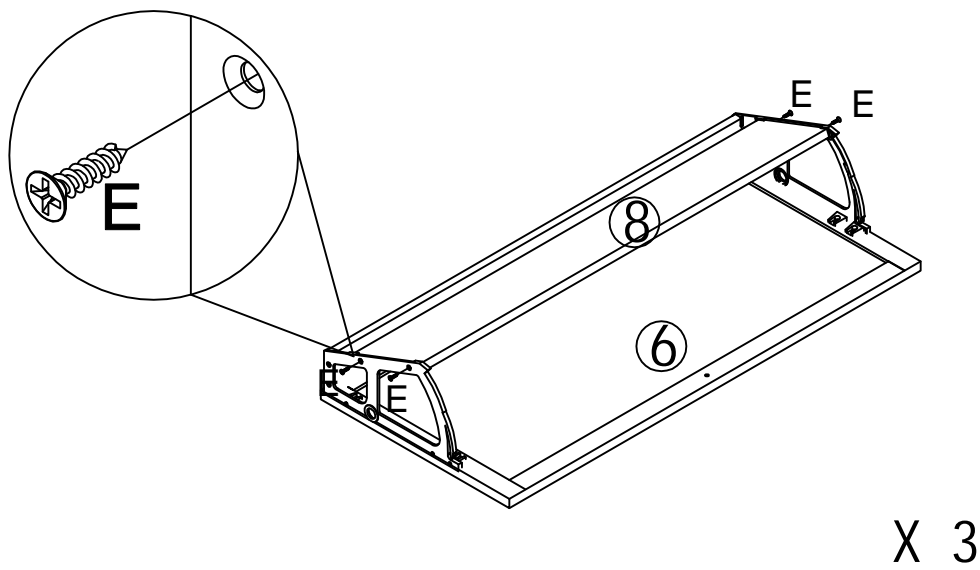
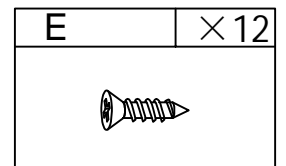


X 3


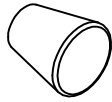
# Step 9

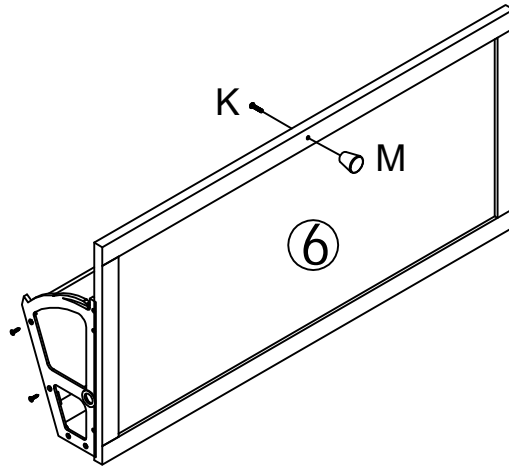


# Step 10



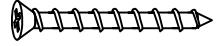

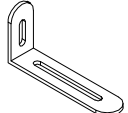
# Step 11

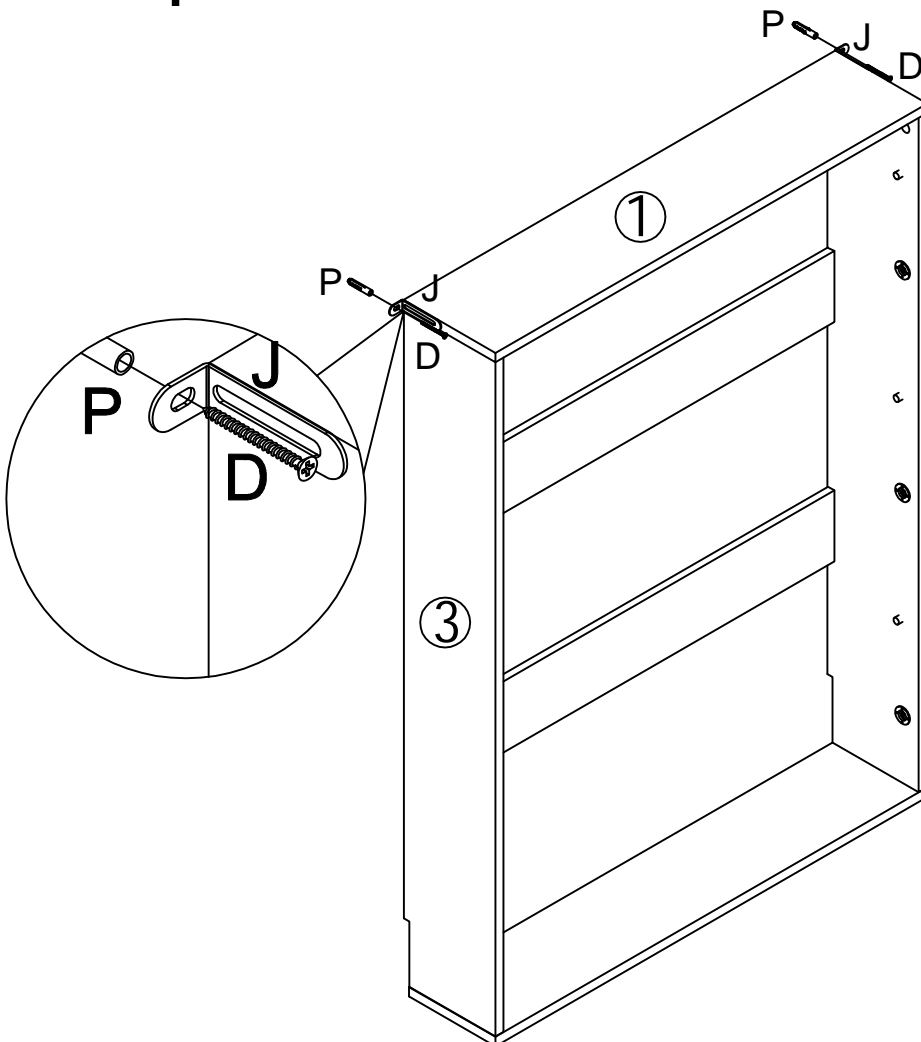
K	×3	M	×3
			



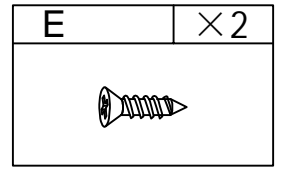
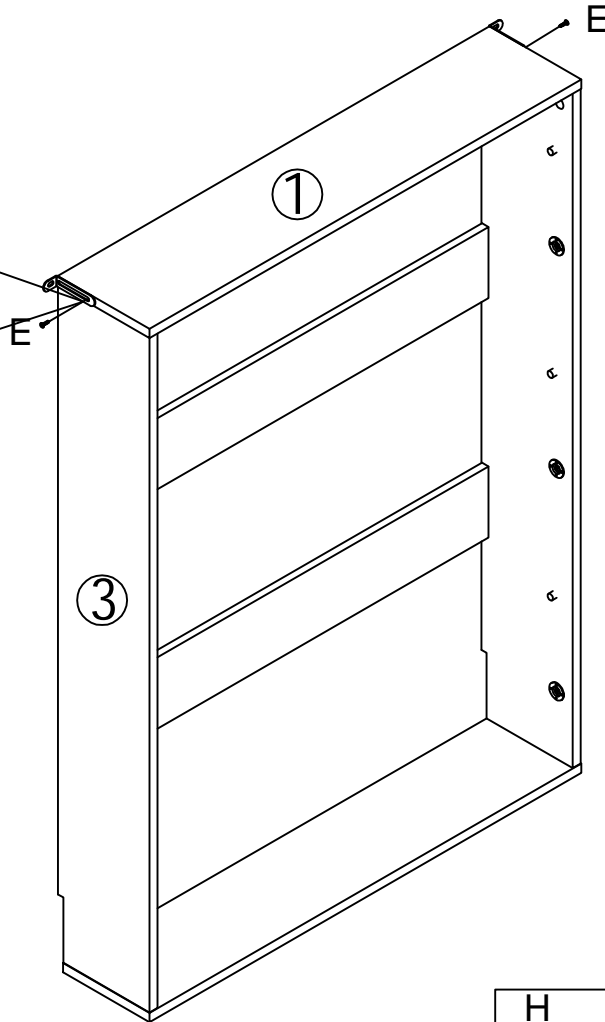
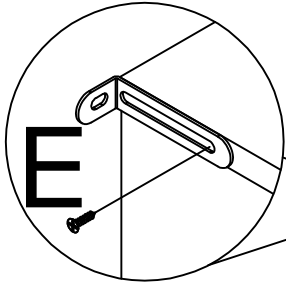
X 3

# Step 12

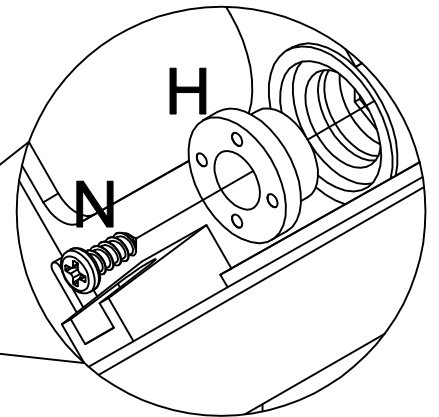
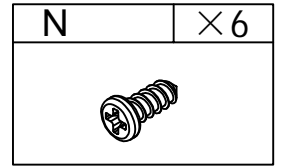
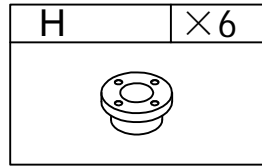
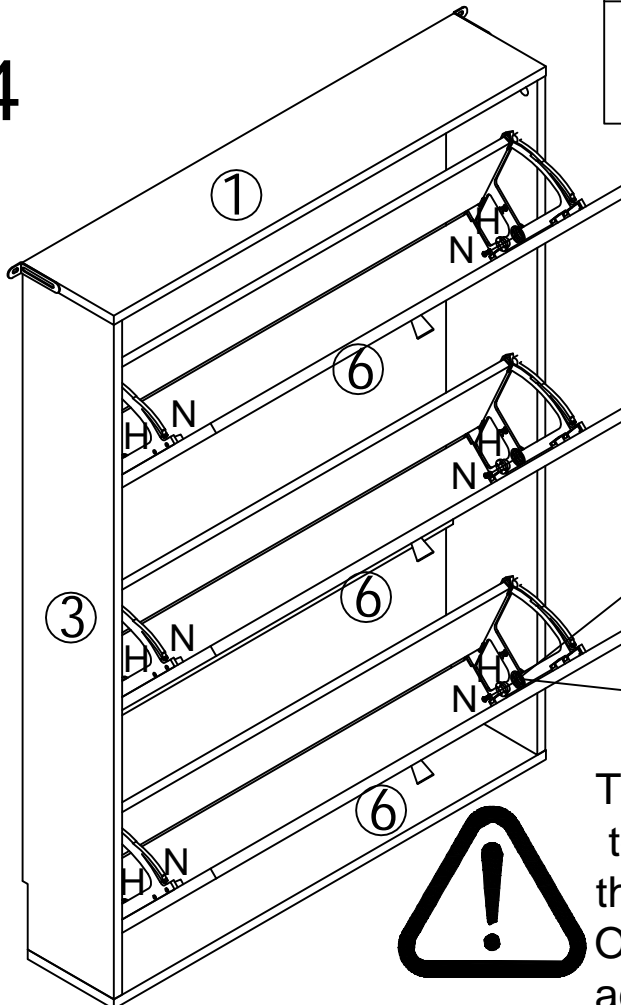
D	×2
	
P	×2
	
J	×2
	



# Step 13



# Step 14



Take care to lock part N to the middle hole of part F. Otherwise, the part F of the accessory will be damaged.