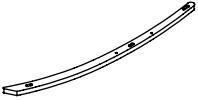
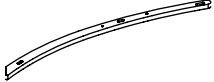

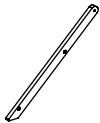
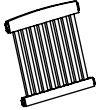



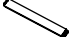

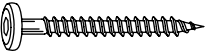
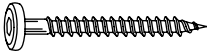
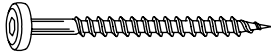

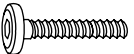


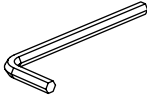
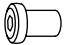
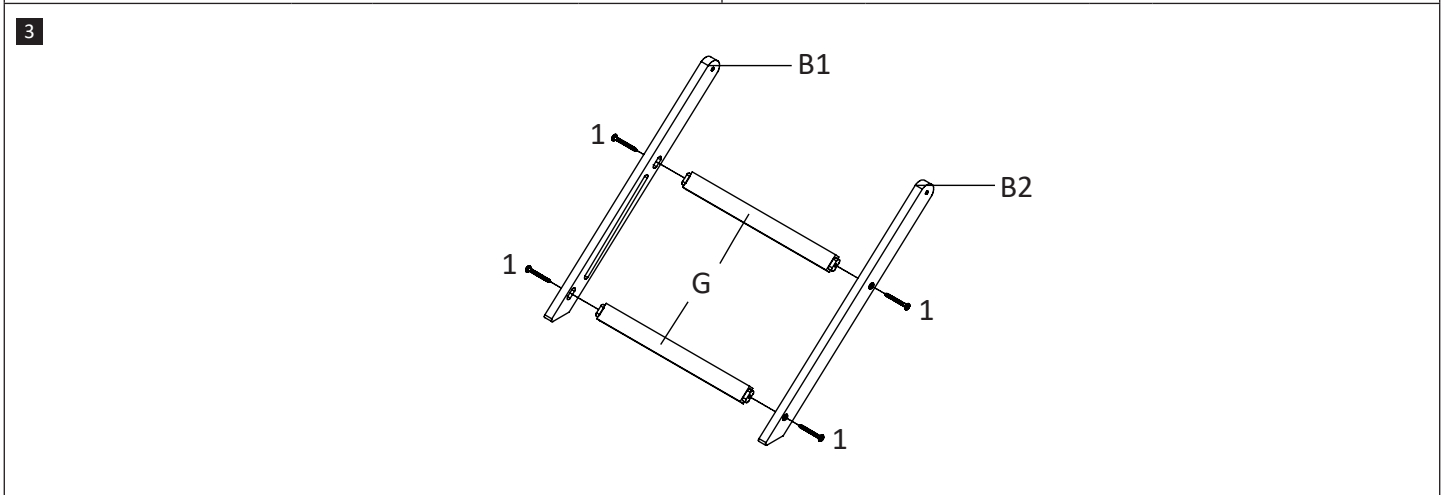
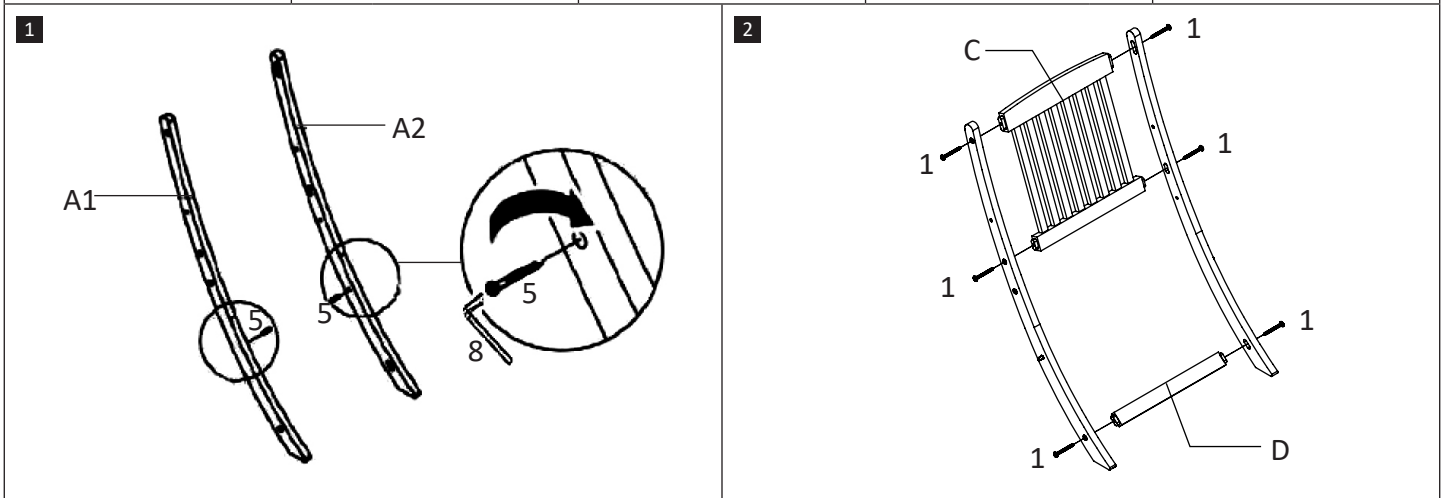


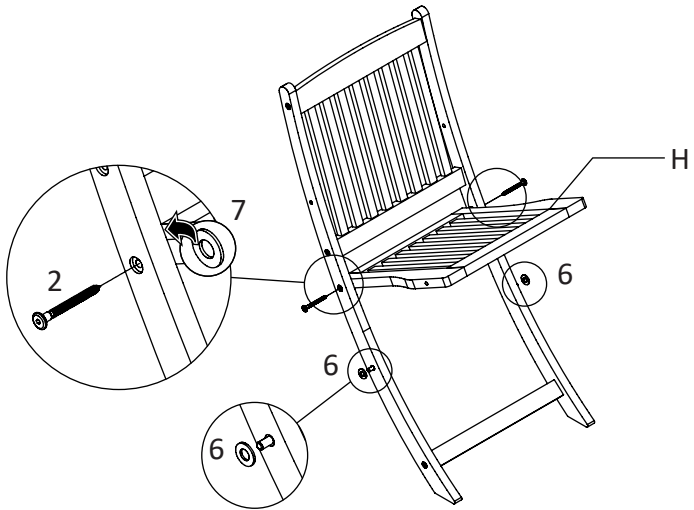
A1 1pc 	A2 1pc 	B1 1pc 	B2 1pc 	C 1pc 
D 1pc  $\frac{20 \times 30 \times 420}{0.8 \times 1.2 \times 16.53}$	E1 1pc 	E2 1pc 	G 2pcs  $\frac{20 \times 30 \times 464}{0.8 \times 1.2 \times 18.26}$	H 1pc 

1 10pcs  $\frac{\Phi 6 \times 60}{\Phi 0.2 \times 2.4}$	2 2pcs  $\frac{\Phi 7 \times 60}{\Phi 0.3 \times 2.4}$	3 2pcs  $\frac{\Phi 7 \times 70}{\Phi 0.3 \times 2.8}$	4 2pcs  $\frac{\Phi 6 \times 40}{\Phi 0.2 \times 1.6}$
--	---	--	---

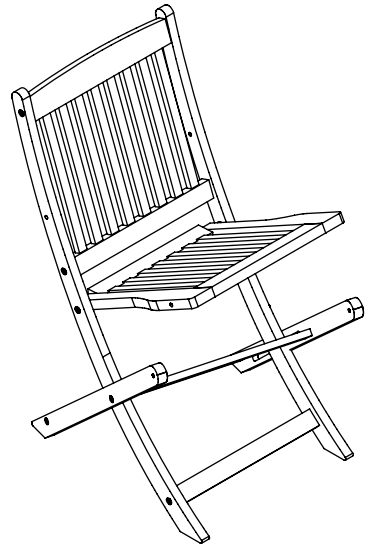
5 2pcs  $\frac{\Phi 6 \times 30}{\Phi 0.2 \times 1.2}$	6 2pcs  $\frac{\Phi 8 / 20 \times 1}{\Phi 0.3 / 0.8 \times 0.04}$	7 8pcs  $\frac{\Phi 8 / 20 \times 2}{\Phi 0.3 / 0.8 \times 0.08}$	8 2pcs 	9 2pcs  $\frac{\Phi 6 \times 15}{\Phi 0.2 \times 0.6}$
---	--	--	---	---



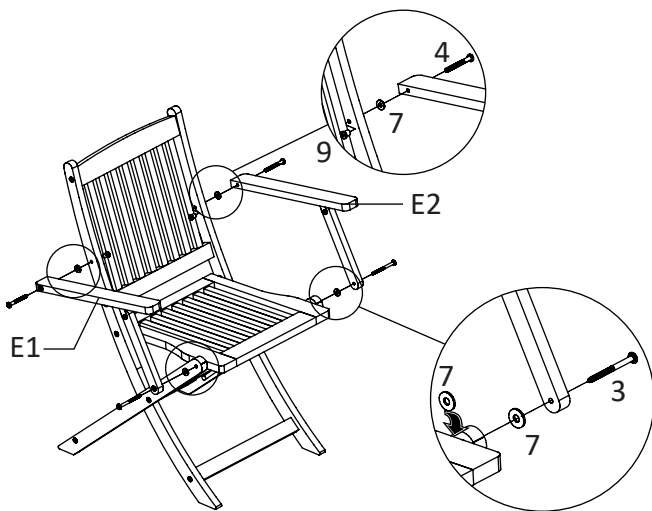
4



5



6



7

