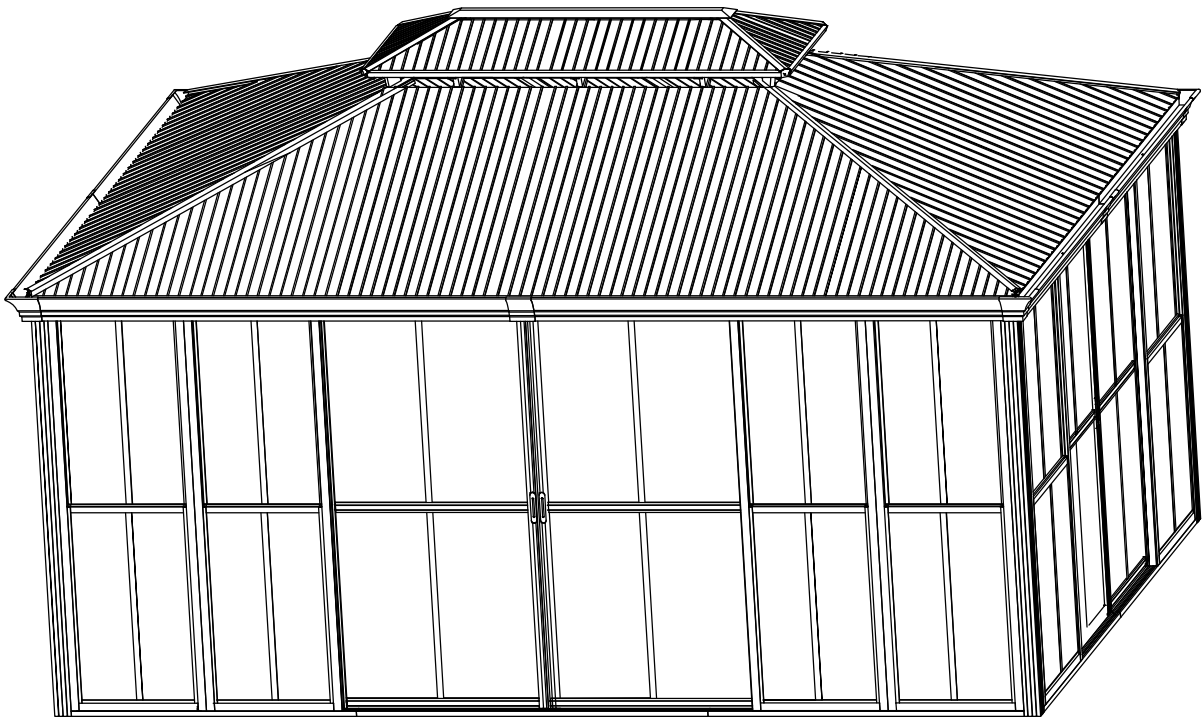


# 12 x 16FT

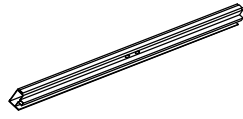
WQOT225TN



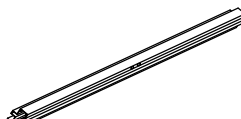
If you have any questions, please contact us at [customer01service@hotmail.com](mailto:customer01service@hotmail.com)

<b>CARTON-1/9</b>		Bd	8	1.2.3.4.5.6.7.8.9.10. 11.12.13.14.15.16.17. 18.19.20.21.22.23	1
Part	Oty	Be	8		
M1	4	Bf	2		
M3	4	Bg	2	G4	4
M4	4	Bo	2	<b>CARTON-8/9</b>	
M5	4	Bh	2	Part	Oty
M6	4	O	4	D(There are additional accessories in D parts, please take them out.)	4
M7	4	O1	4		
M9	4	<b>CARTON-6/9</b>			
<b>CARTON-2/9</b>		Part	Oty		
Part	Oty	C2	2		
AJ	4	C3	2	L	2
AH	4	F2	2	L1	2
AI	4	F3	2	L2	2
Q1	16	H1	4	L2	2
<b>CARTON-3/9</b>		E2	2	K	2
Part	Oty	E3	2	K1	2
BK	4	E4	2	K2	2
BJ	4	G2	2	O2	2
BL	4	G3	2	G	2
Q	16	<b>CARTON-7/9</b>		G1	2
<b>CARTON-4/9</b>		Part	Oty	K3	2
Part	Oty	C	2	K4	2
BK	4	C1	2	K5	2
BJ	4	F	2	<b>CARTON-9/9</b>	
BL	4	F1	2	Part	Oty
M	4	E	2	R	4
M2	4	E1	2	Rr	4
M8	4	E5	2	U	4
<b>CARTON-5/9</b>		H	4	Uu	4
Part	Oty	J1	8	T	4
Aa	2	J	8	T1	4
Ab	2	X	2	P	4
Ac	4	X1	2	P1	4
Ad	4	I	1	S	4
Ae	4	N	1	S1	4
Ag	2	Y	68	Z1	16
Af	2	V	4		
Ba	4	V1	4		
Bb	4	Mn	12		
Bc	8				

Accessories  
for  
Door  
A/A1



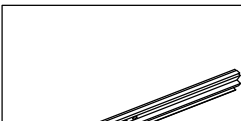
(Aa) x2



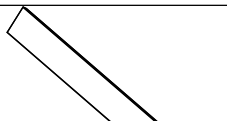
(Ab) x2



(Ac) x4



(Ad) x4



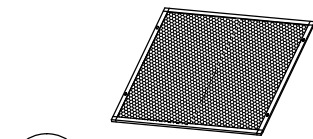
(Ae) x4



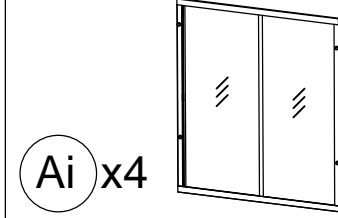
(Af) x2



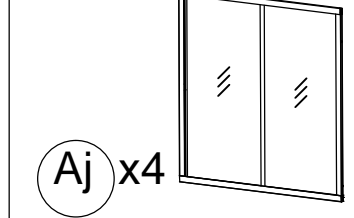
(Ag) x2



(Ah) x4

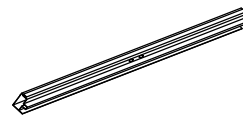


(Ai) x4

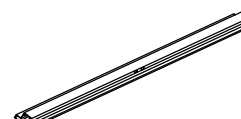


(Aj) x4

Accessories  
for  
Door  
B/B1/B2



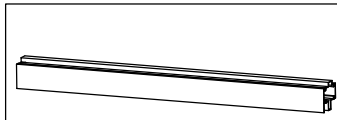
(Ba) x4



(Bb) x4



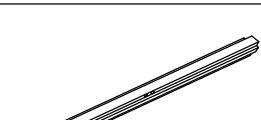
(Bc) x8



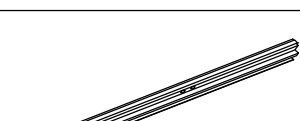
(Bd) x8



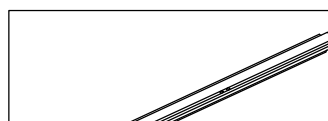
(Be) x8



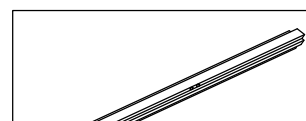
(Bf) x2



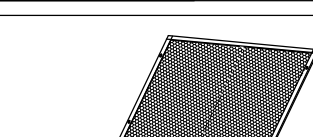
(Bg) x2



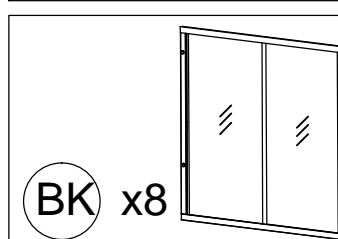
(Bo) x2



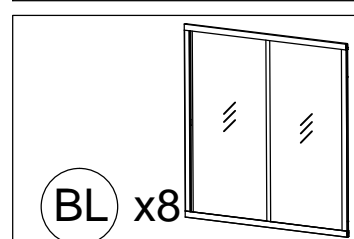
(Bh) x2



(Bj) x8



(Bk) x8

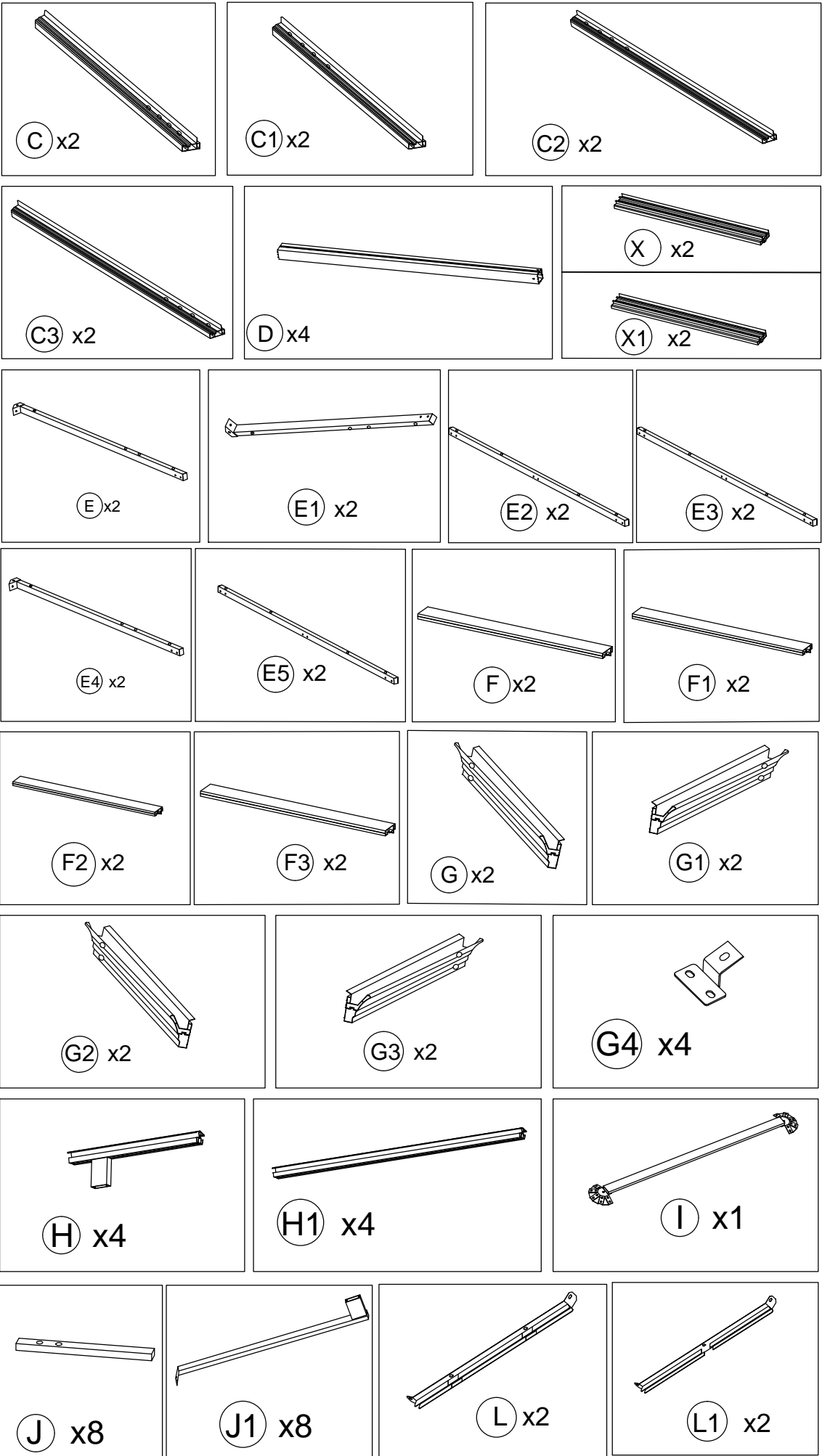


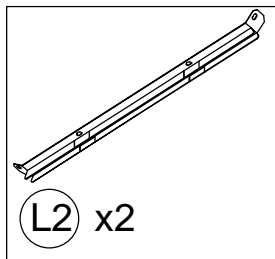
(Bl) x8

2

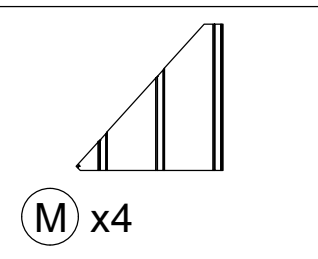


(Mn) x12

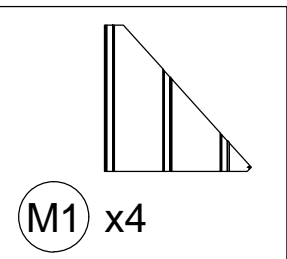




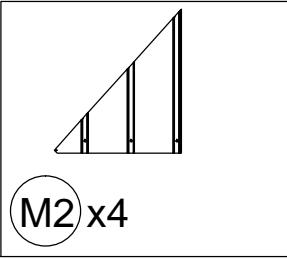
L2 x2



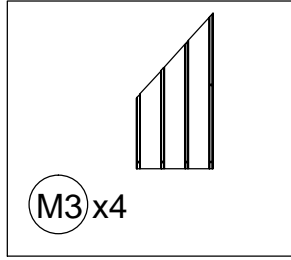
M x4



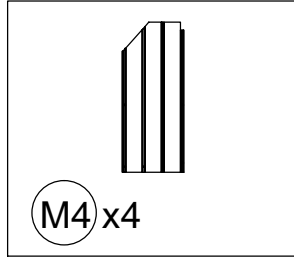
M1 x4



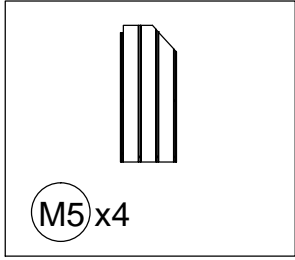
M2 x4



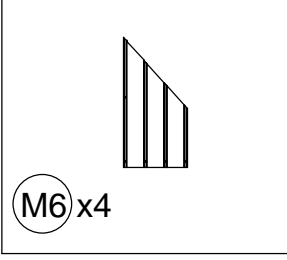
M3 x4



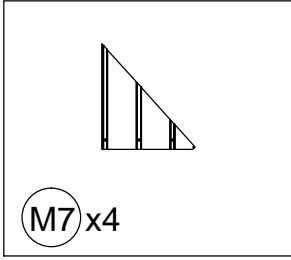
M4 x4



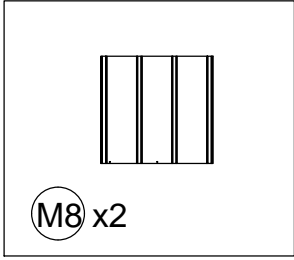
M5 x4



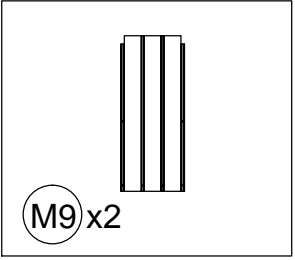
M6 x4



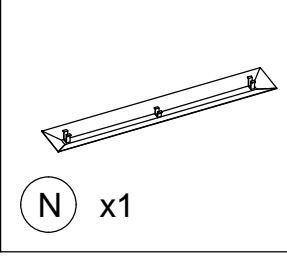
M7 x4



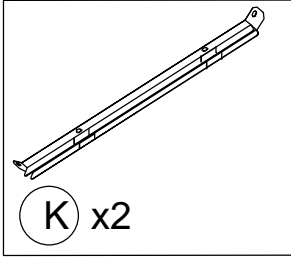
M8 x2



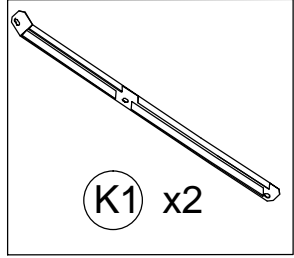
M9 x2



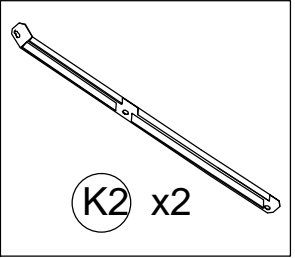
N x1



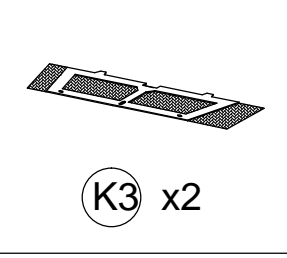
K x2



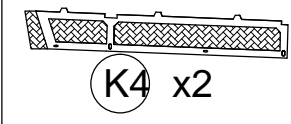
K1 x2



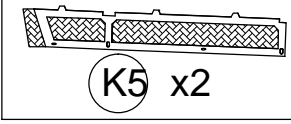
K2 x2



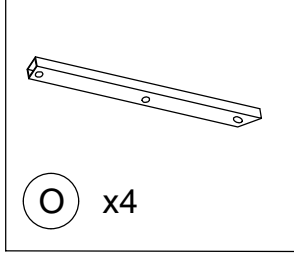
K3 x2



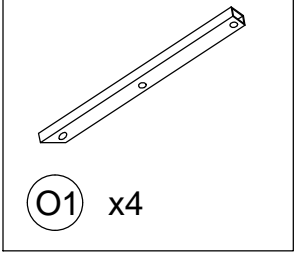
K4 x2



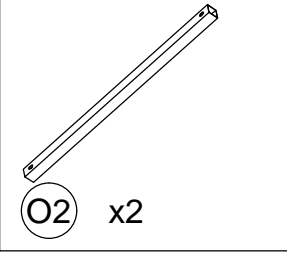
K5 x2



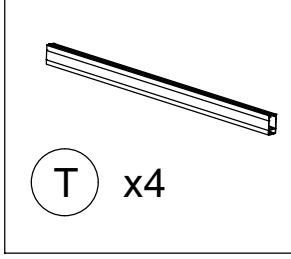
O x4



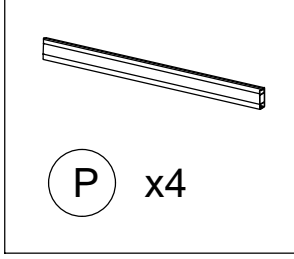
O1 x4



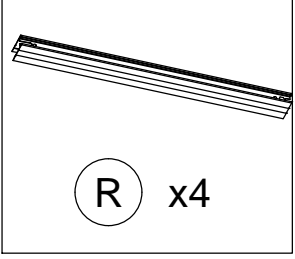
O2 x2



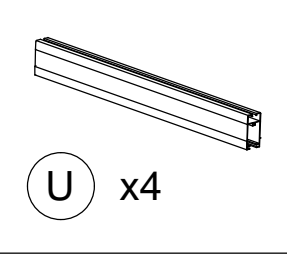
T x4



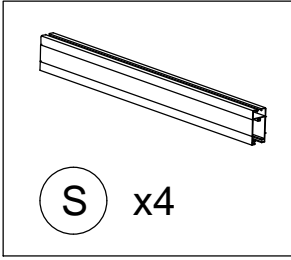
P x4



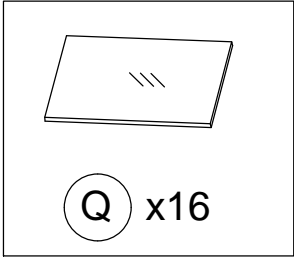
R x4



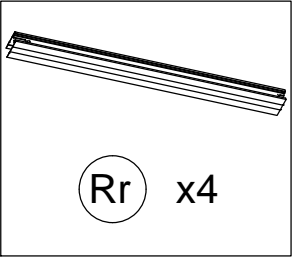
U x4



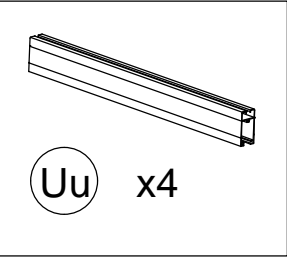
S x4



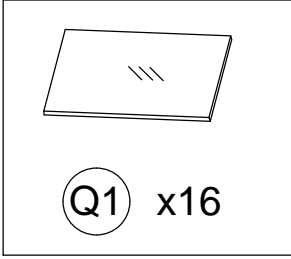
Q x16



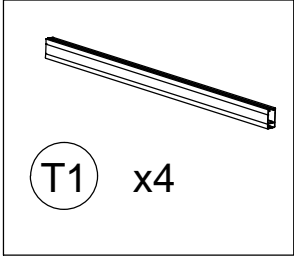
Rr x4



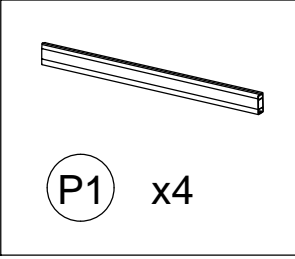
Uu x4



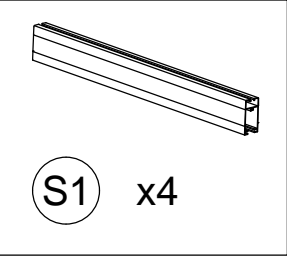
Q1 x16



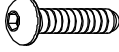
T1 x4



P1 x4



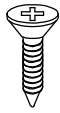
S1 x4

 Y x76	 V x4	 V1 x4	 Z1 x16
 M6x35mm 1 x52	 2 x180	 M6x55mm 3 x44	 M4x35mm 4 x176
 M6x15mm 5 x48	 6 x6	 7 x4	 8 x4
 M6x25mm 9 x136	 M6 10 x72	 11 x16	 12 x16
 13 x16	 14 x16	 M4x15mm 15 x24	 6mm 16 x1
 17 x1	 18 x2	 M6x45mm 19 x11	 M4x20mm 20 x108
 21 x40	 W x1	 M6x15mm 22 x150	 M6 23 x12

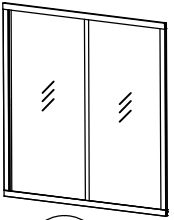
Before installing the sunroom, you should prepare the following tools for installation:

- Ladder
- Screwdriver
- Allen wrench
- Rubber hammer
- Cordless drill

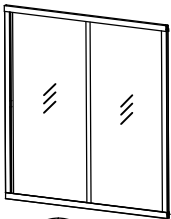
# Small Window Assembly Steps



15 x24



Aj x4

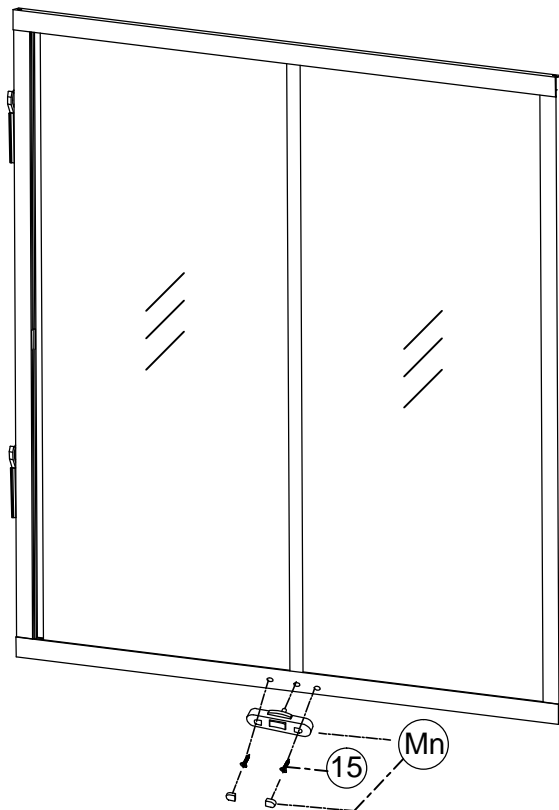


BL x8



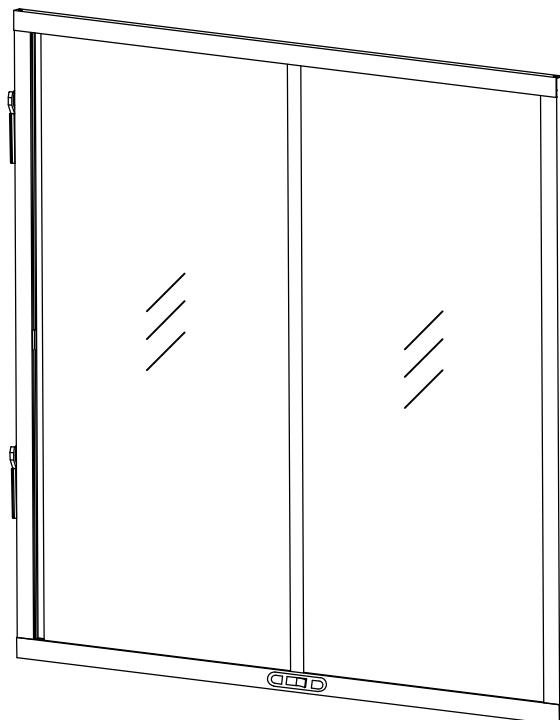
Mnx12

x12



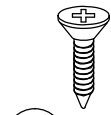
<2>

x12

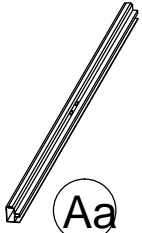


6

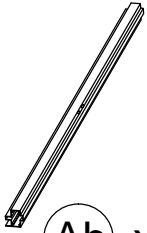
# Assembly Steps of Gate A



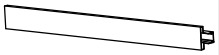
4 x8



Aa x2



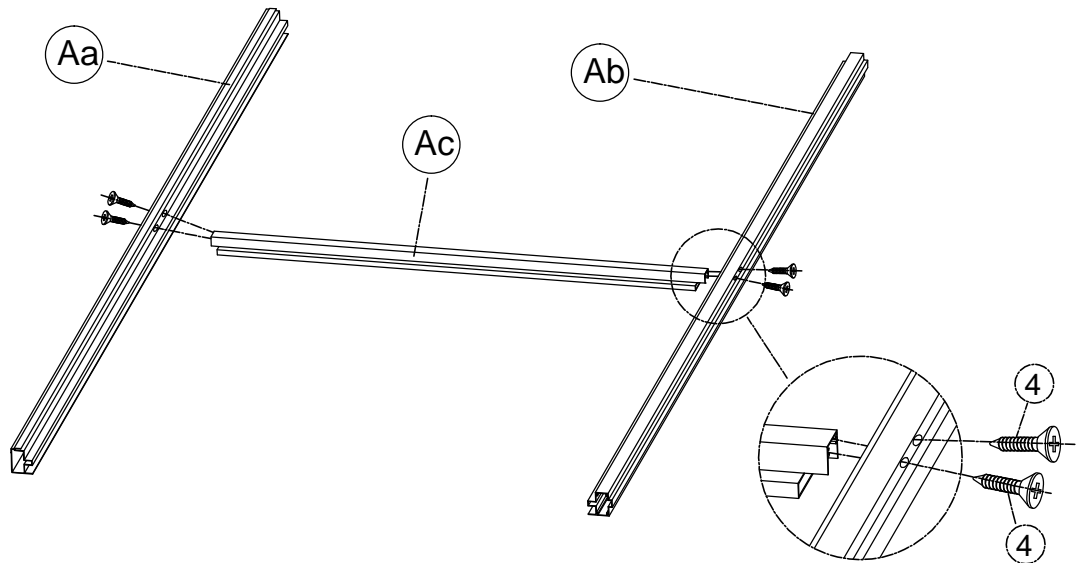
Ab x2



Ac x2

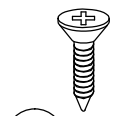
<1>

x2



<2>

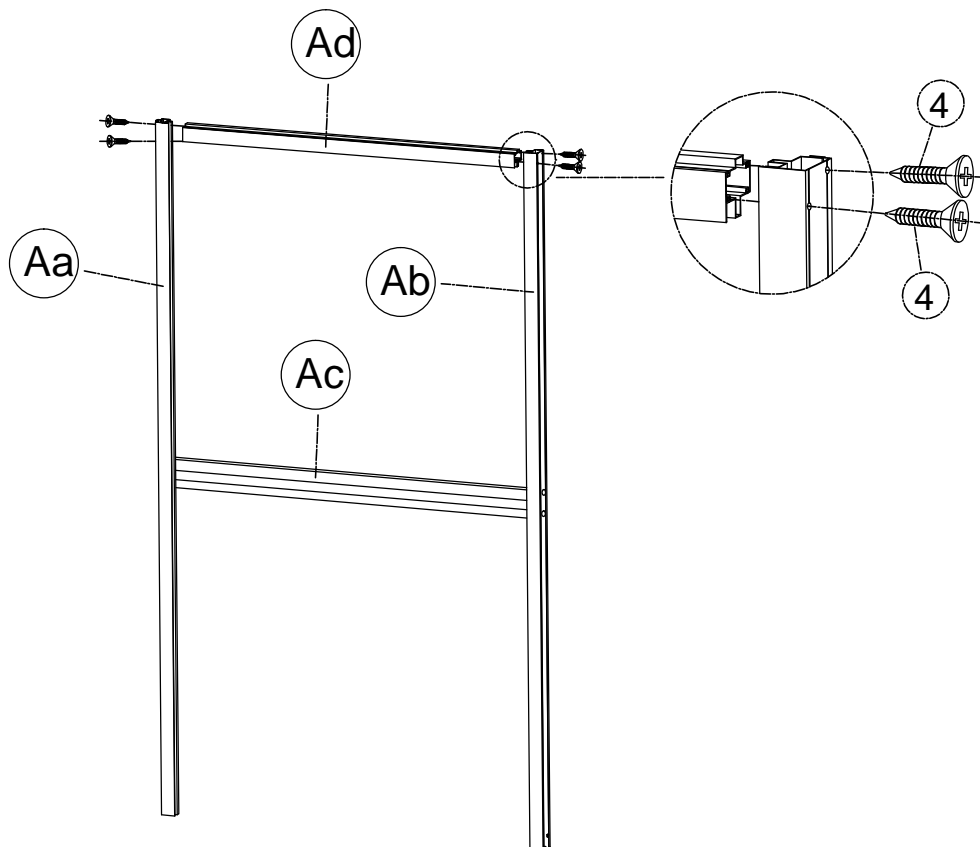
x2



4 x8



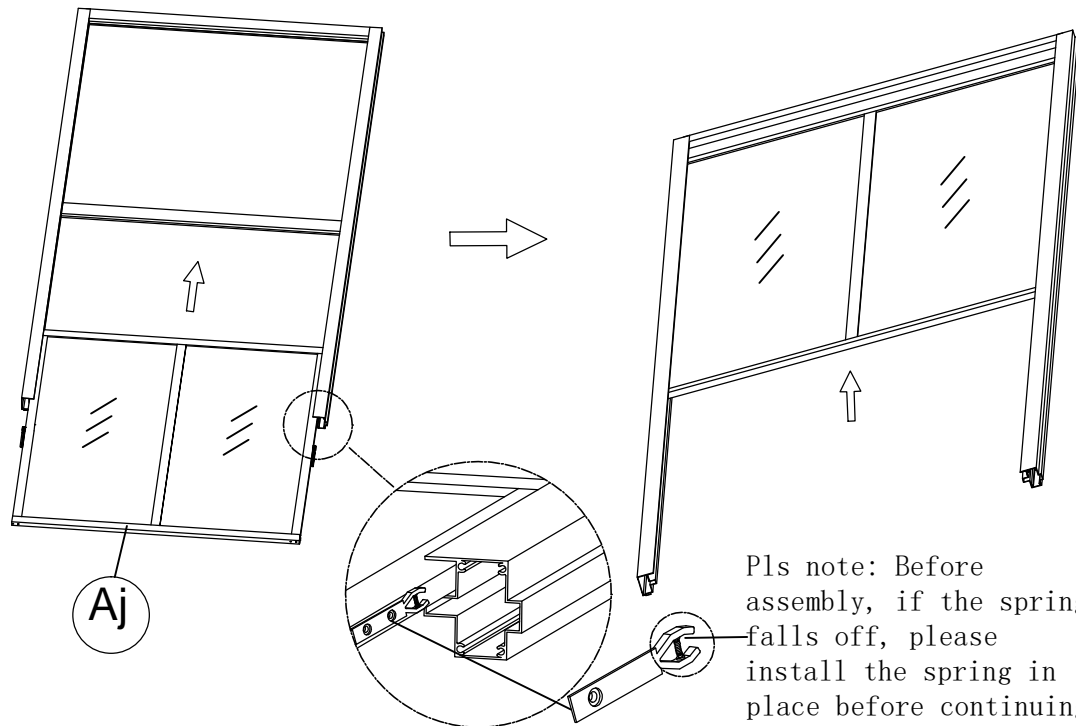
Ad x2



# Assembly Steps of Gate A

<3>

x2



Pls note: Before assembly, if the spring falls off, please install the spring in place before continuing assembly.

<4>

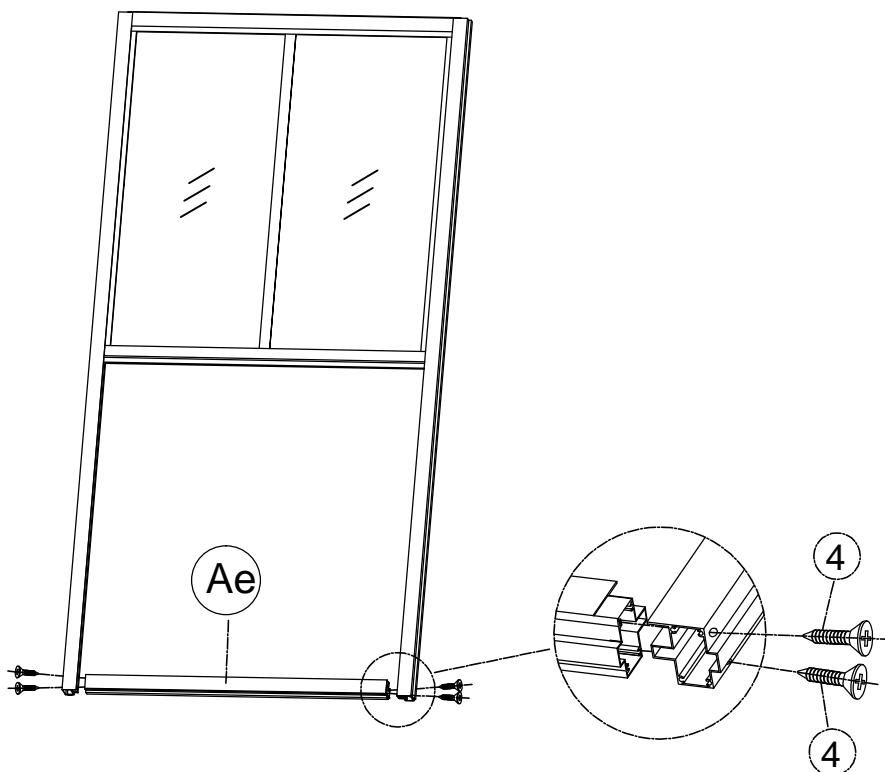
x2



4 x8

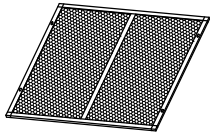


Ae x2

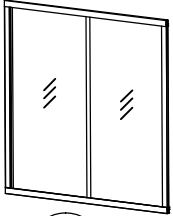


8

# Assembly Steps of Gate A



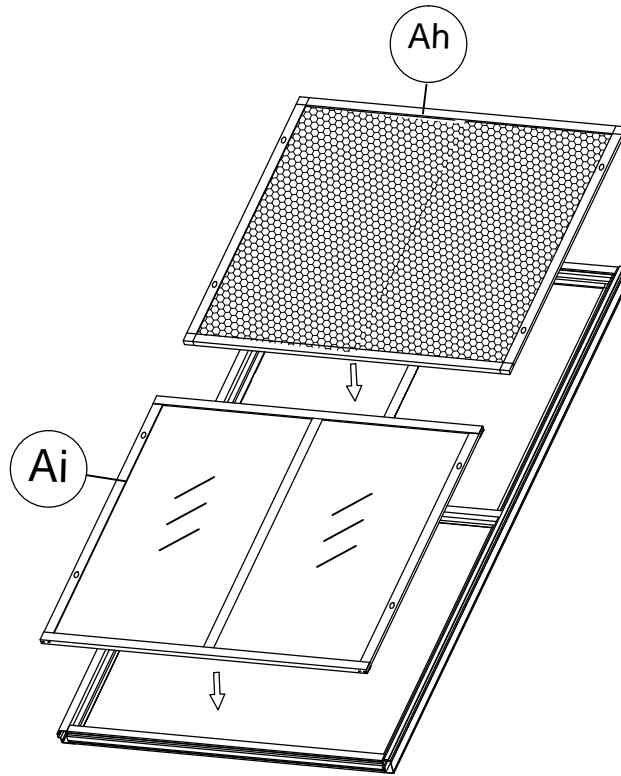
Ah x2



Ai x2

<5>

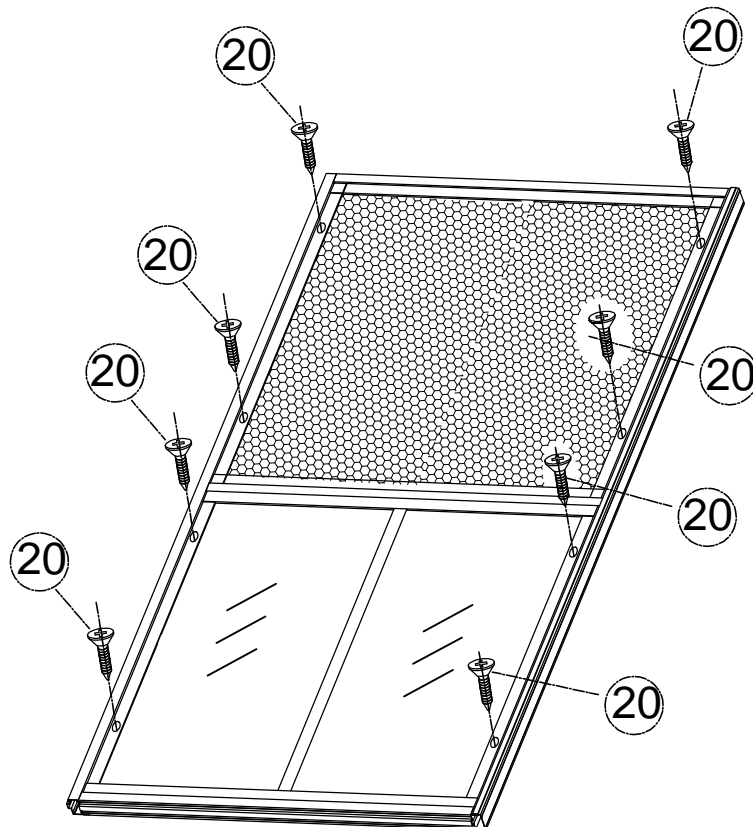
x2



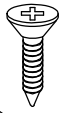
20 x16

<6>

x2



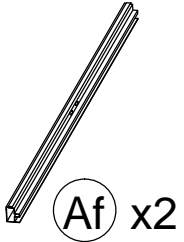
# Assembly Steps of Gate A1



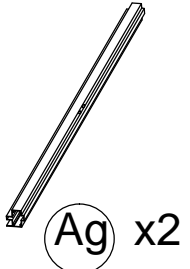
4 x8

<1>

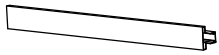
x2



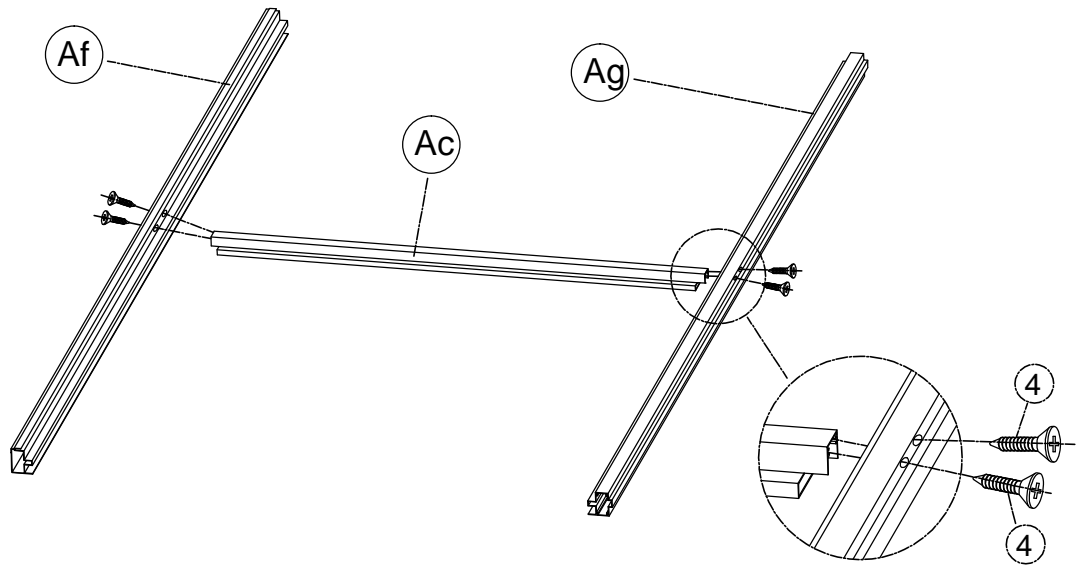
Af x2



Ag x2



Ac x2



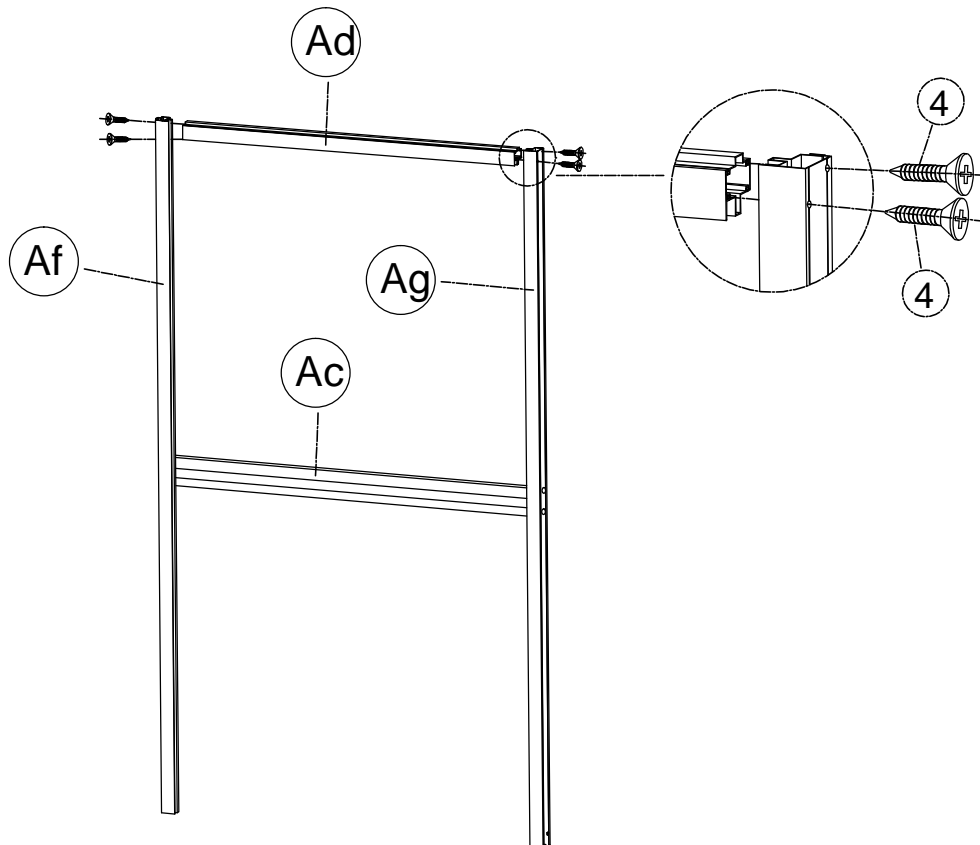
4 x8

<2>

x2



Ad x2

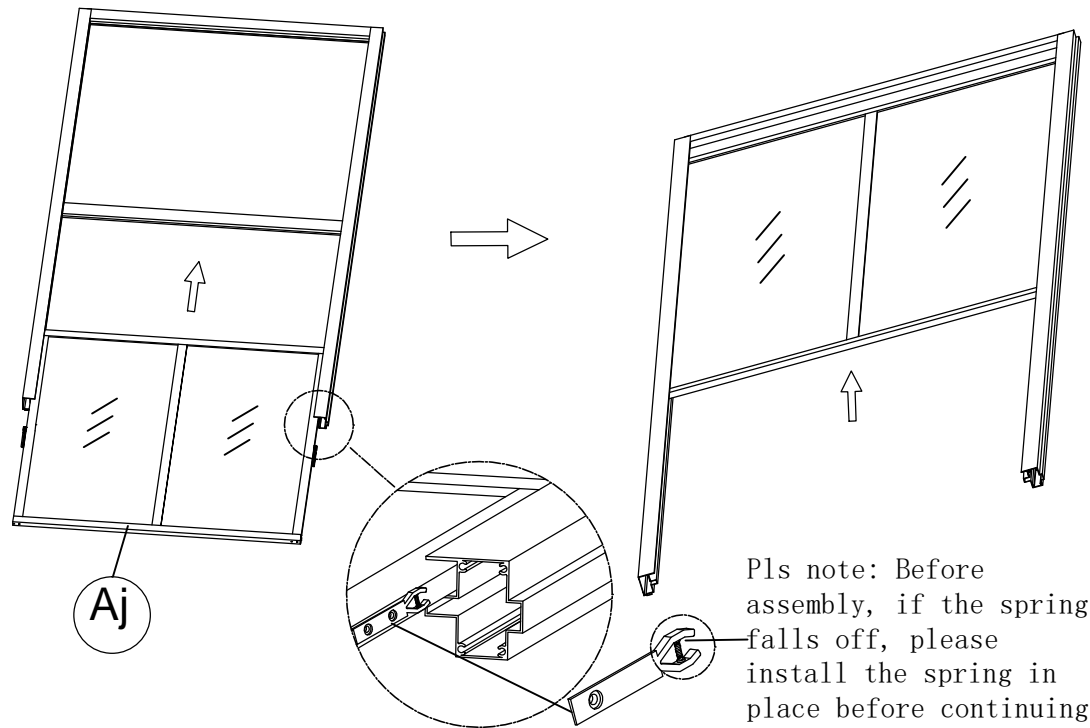


10

# Assembly Steps of Gate A1

<3>

x2



<4>

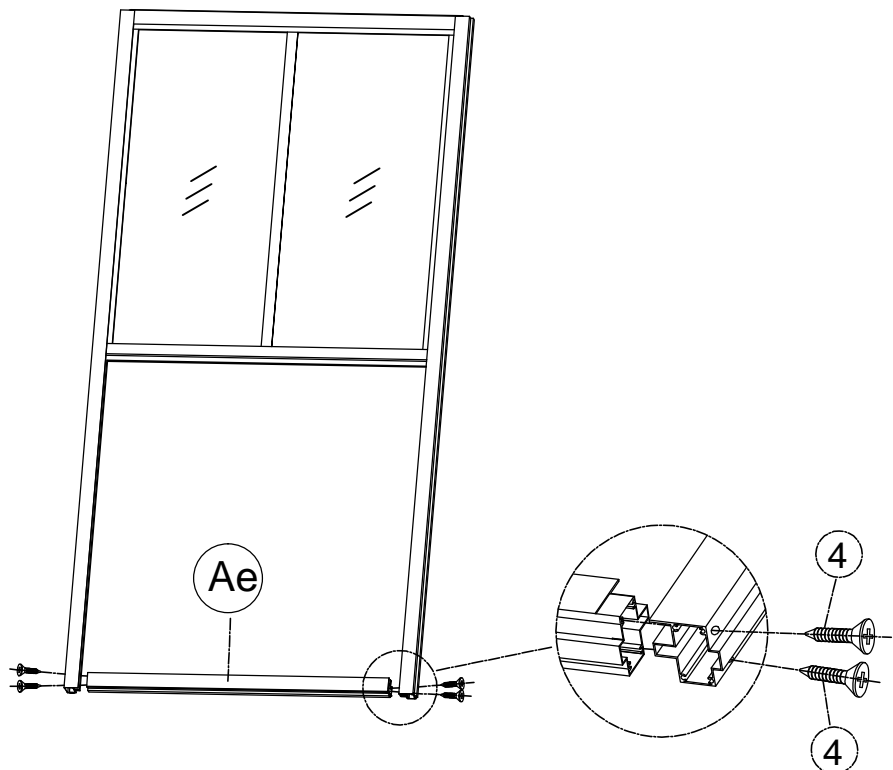
x2



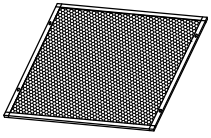
4 x8



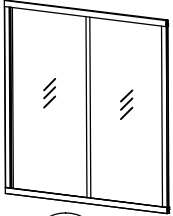
Ae x2



# Assembly Steps of Gate A1



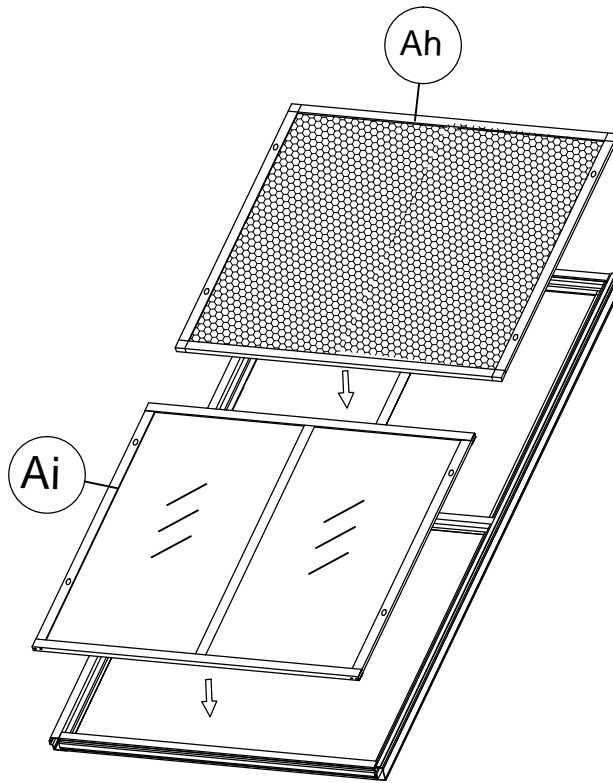
Ah x2



Ai x2

<5>

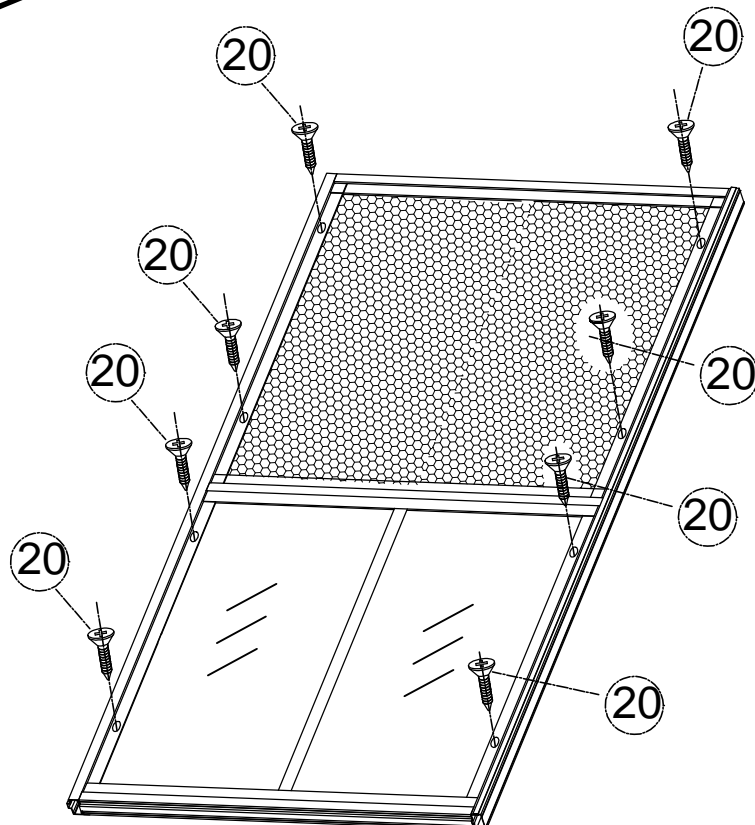
x2



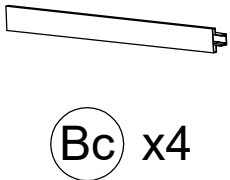
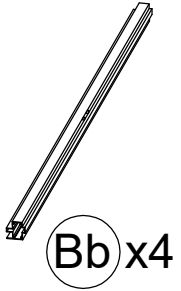
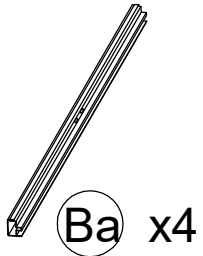
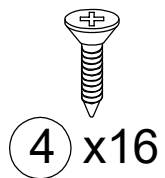
20 x16

<6>

x2

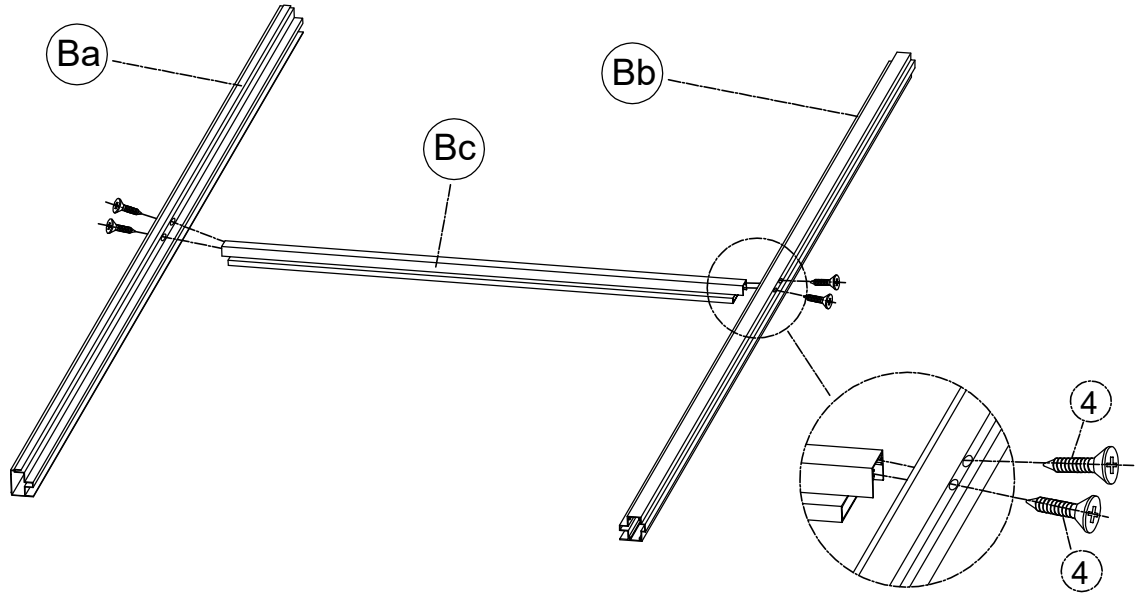


# Assembly Steps of Gate B



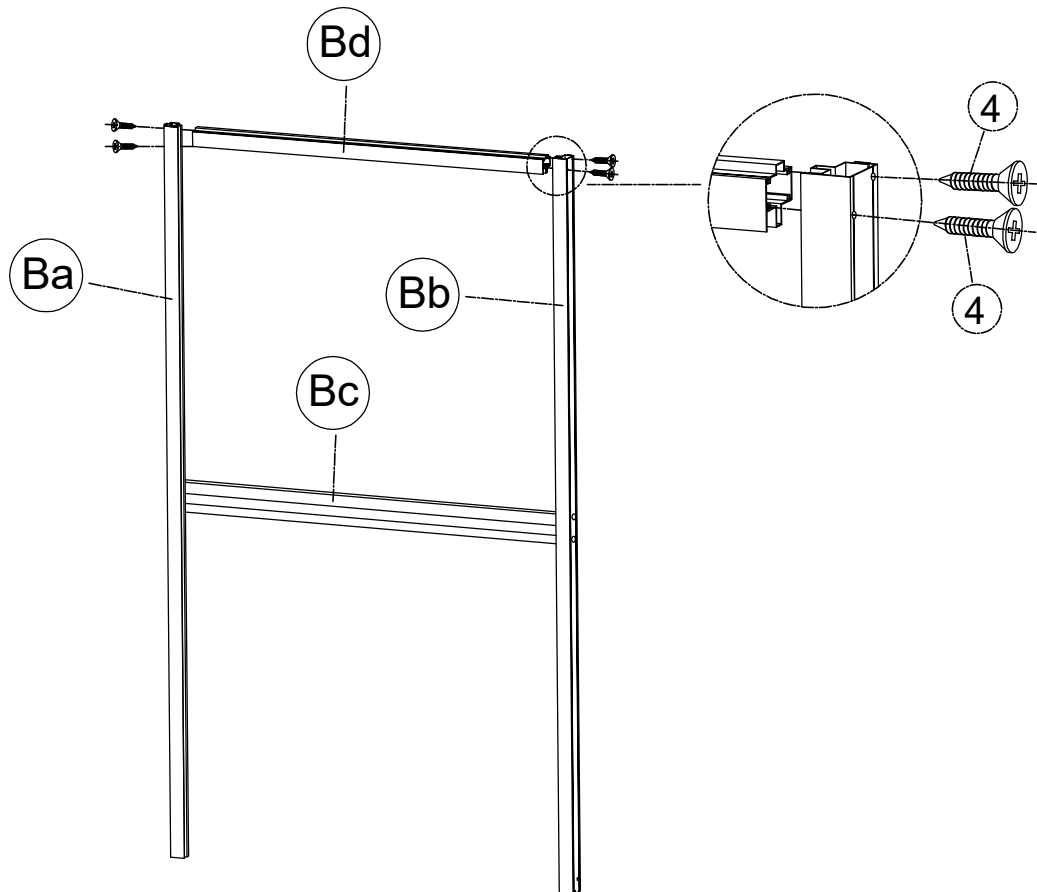
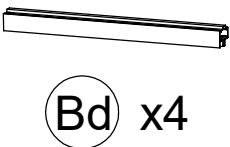
<1>

x4



<2>

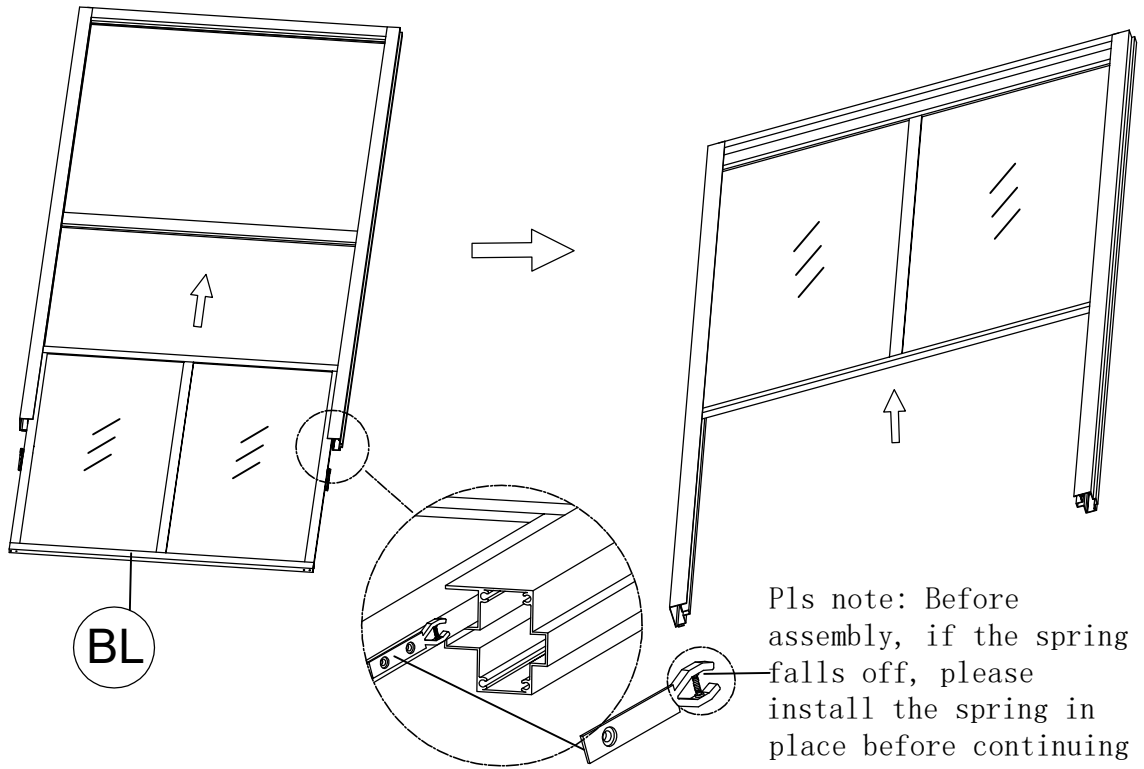
x4



# Assembly Steps of Gate B

<3>

x4



Pls note: Before assembly, if the spring falls off, please install the spring in place before continuing assembly.



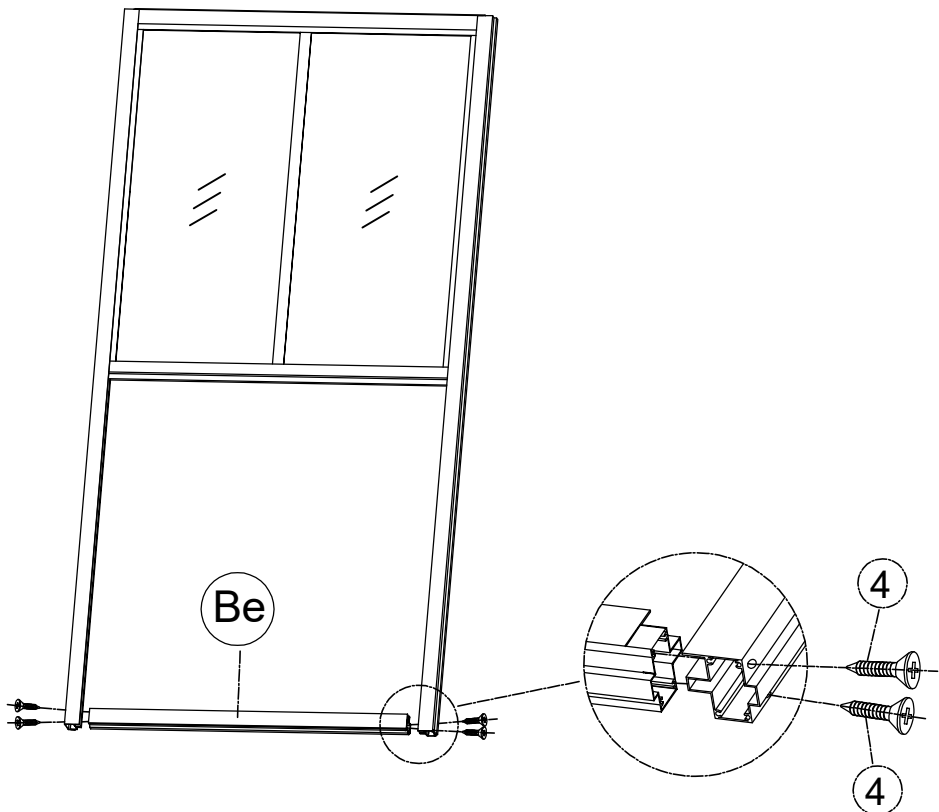
4 x16



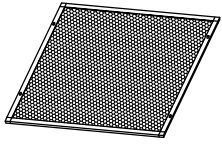
Be x4

<4>

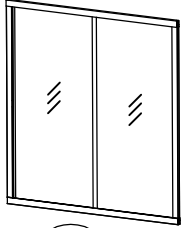
x4



# Assembly Steps of Gate B



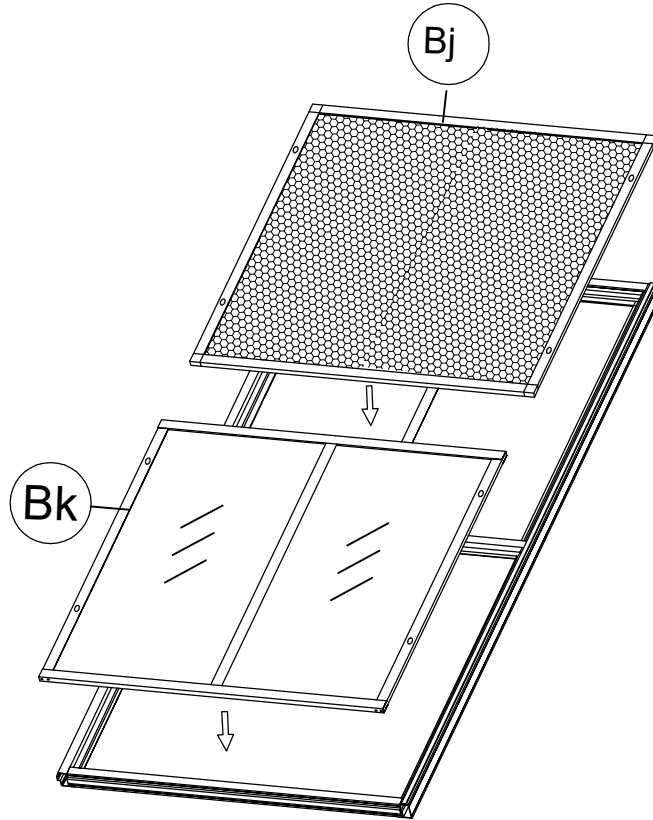
Bj x4



Bk x4

<5>

x4

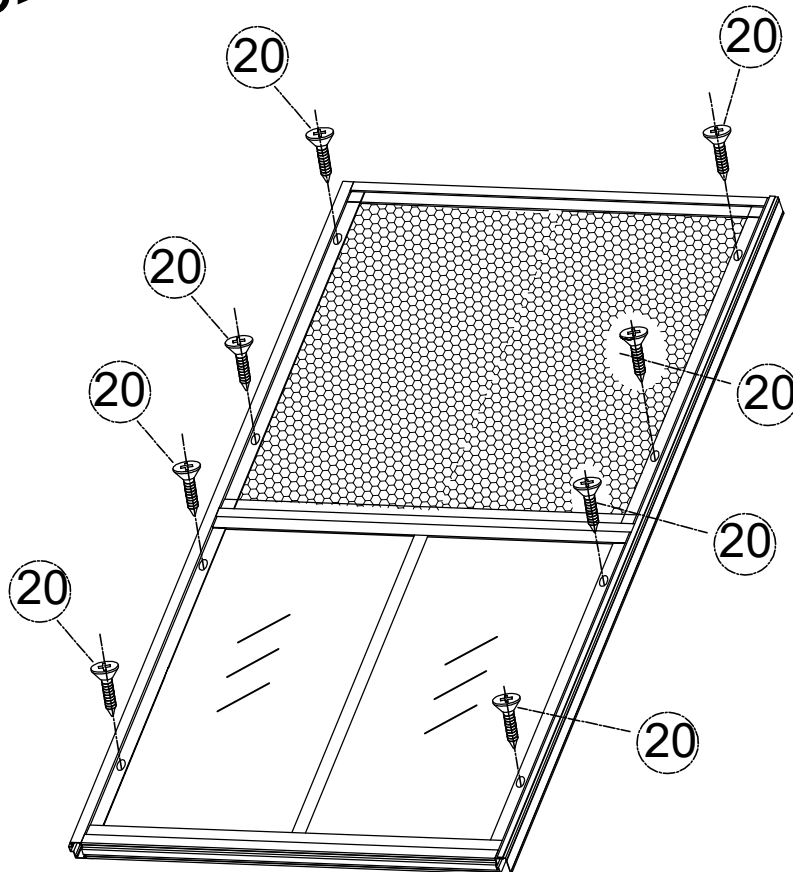


<6>

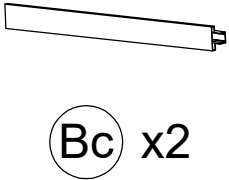
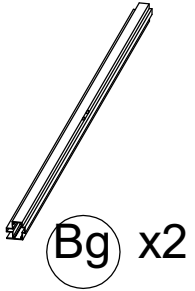
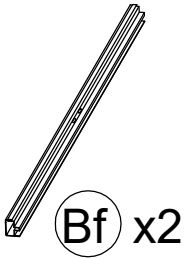
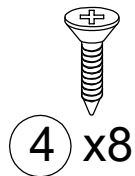
x4



20 x32

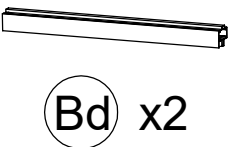
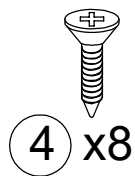
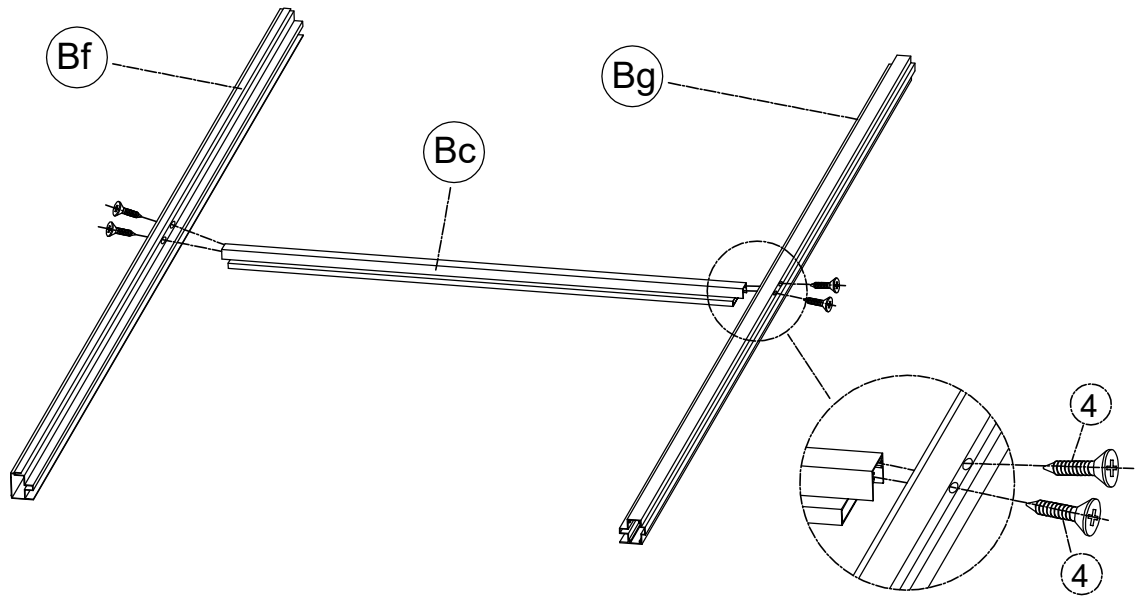


# Assembly Steps of Gate B1



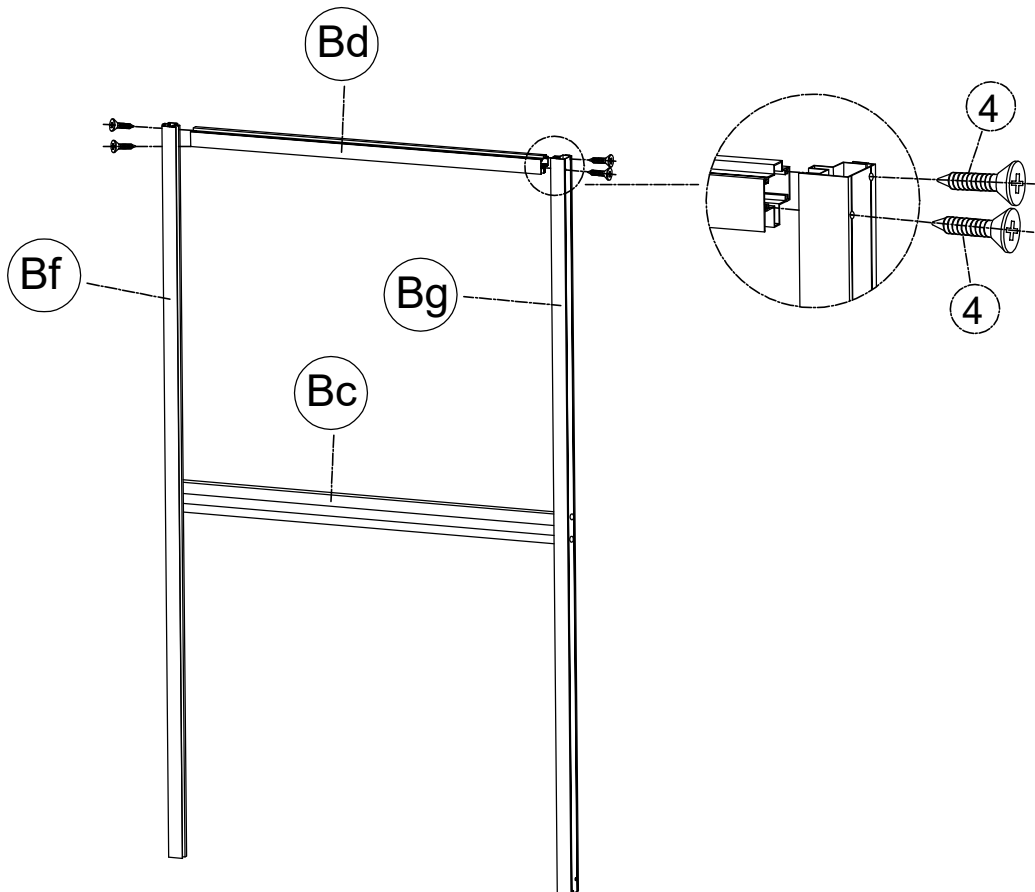
<1>

x2



<2>

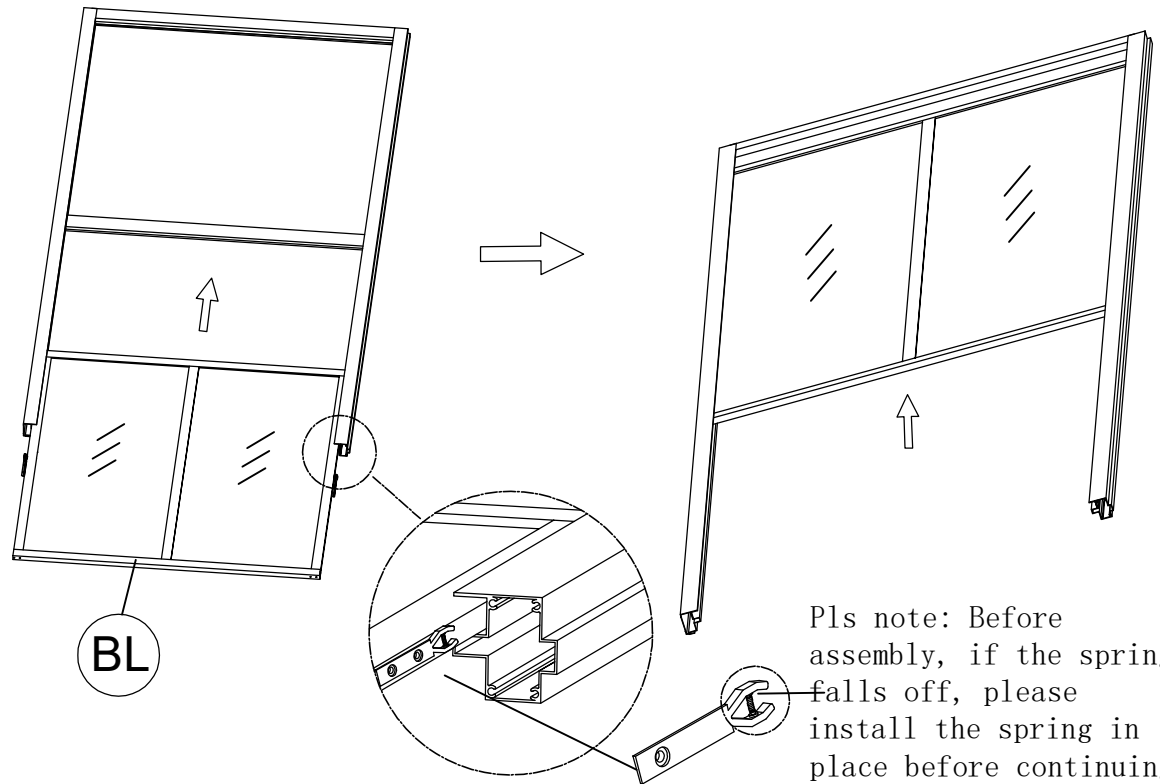
x2



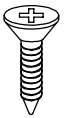
# Assembly Steps of Gate B1

<3>

x2



Pls note: Before assembly, if the spring falls off, please install the spring in place before continuing assembly.



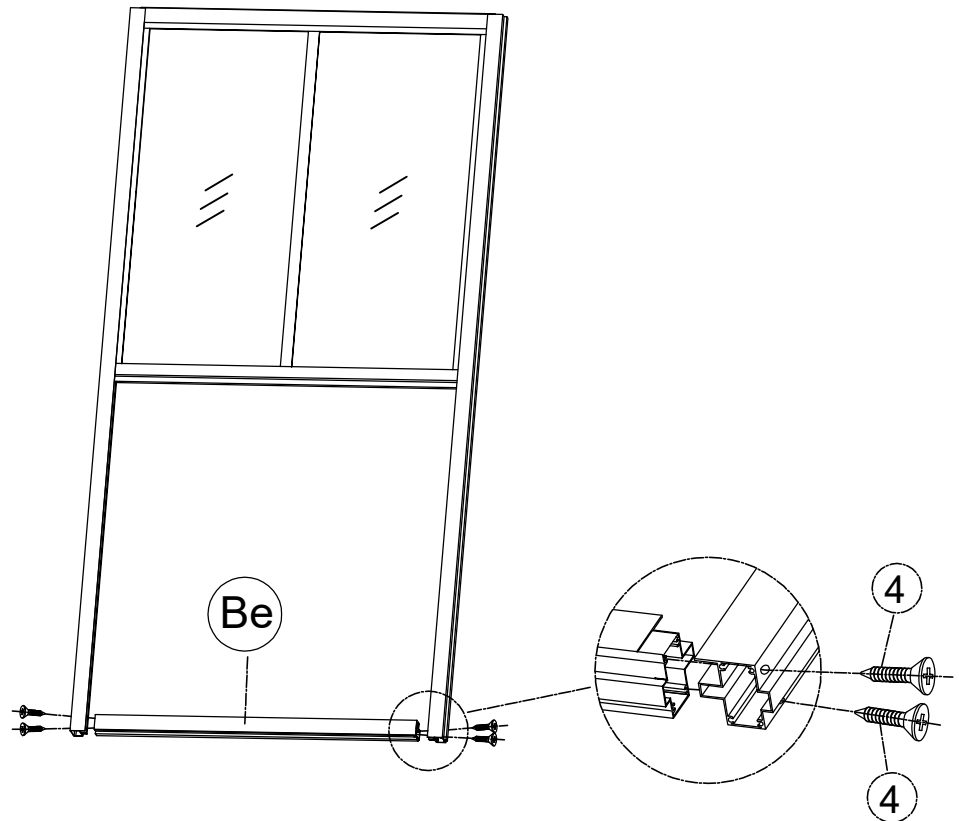
4 x8



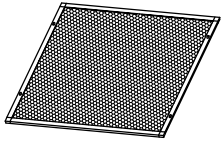
Be x2

<4>

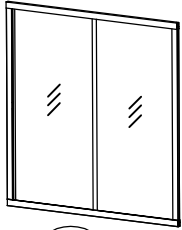
x2



# Assembly Steps of Gate B1



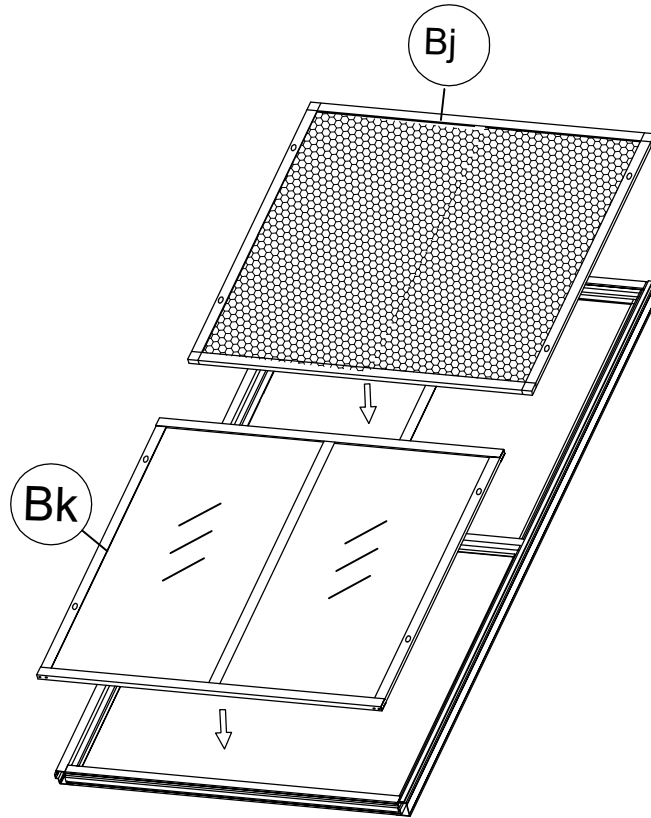
Bj x2



Bk x2

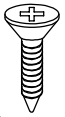
<5>

x2

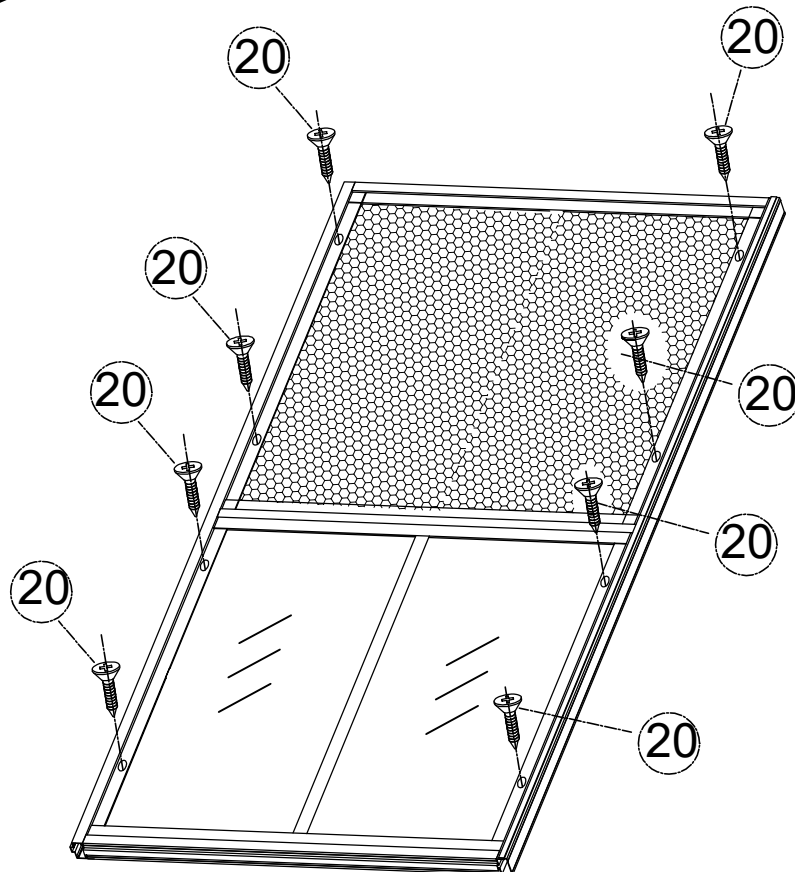


<6>

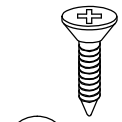
x2



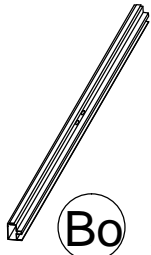
20 x16



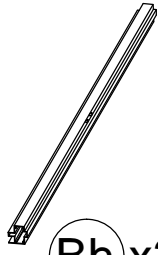
# Assembly Steps of Gate B2



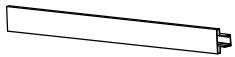
4 x8



Bo x2



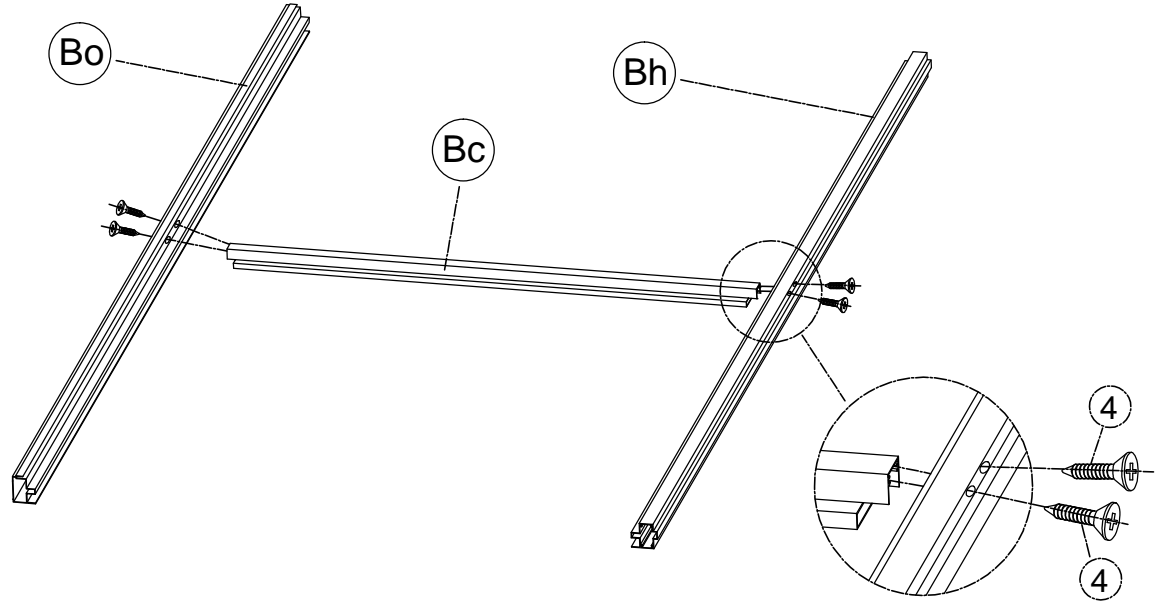
Bh x2



Bc x2

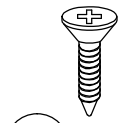
<1>

x2



<2>

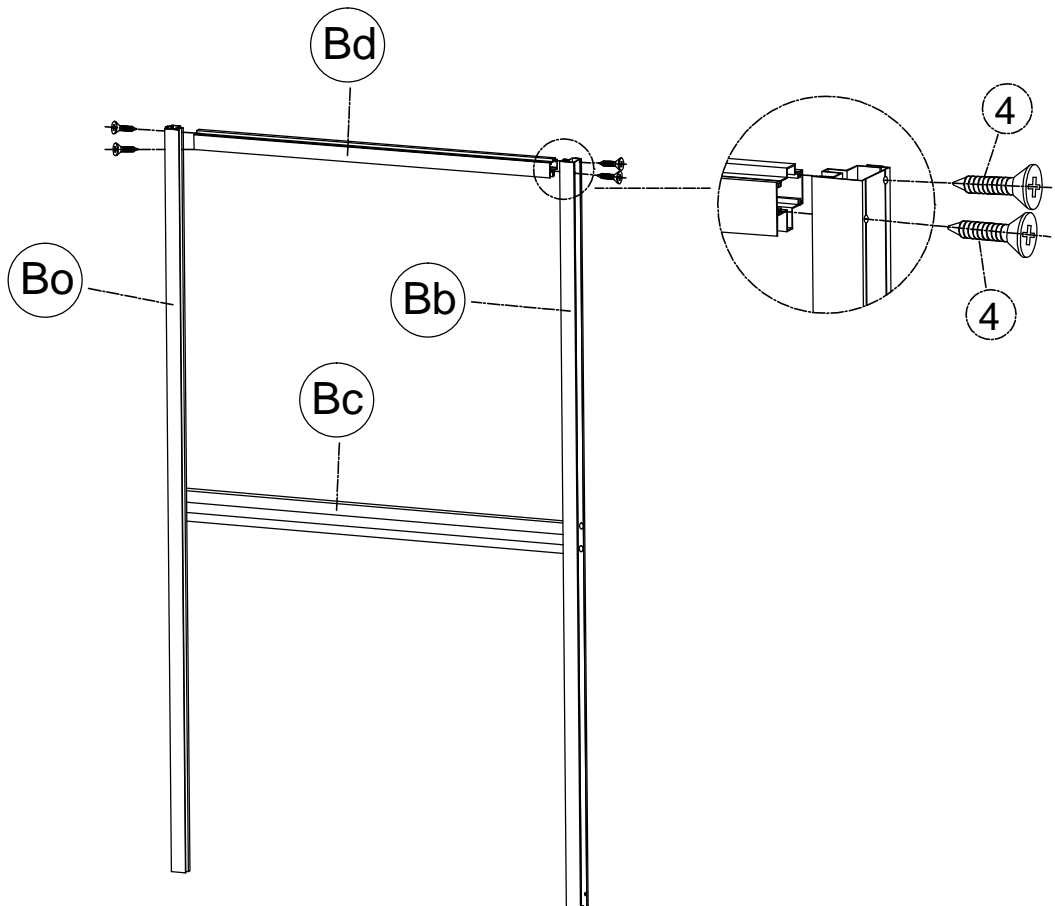
x2



4 x8



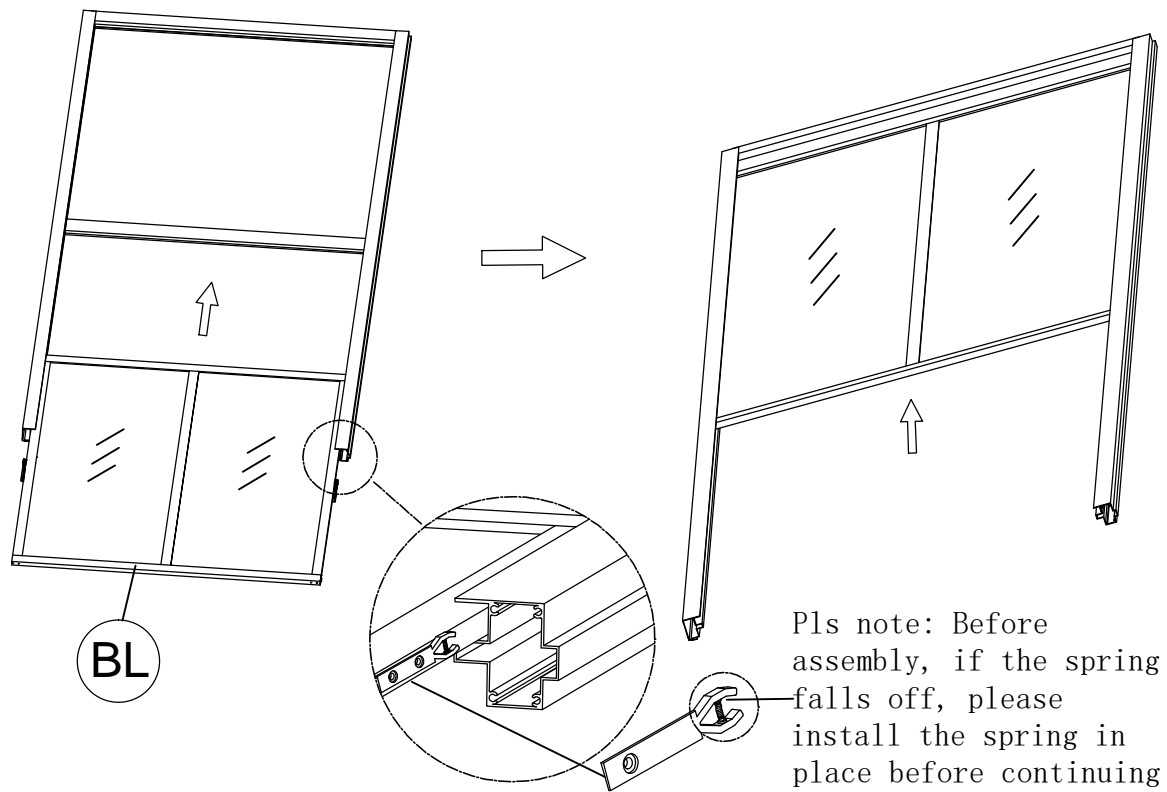
Bd x2



# Assembly Steps of Gate B2

<3>

x2



Pls note: Before assembly, if the spring falls off, please install the spring in place before continuing assembly.

<4>

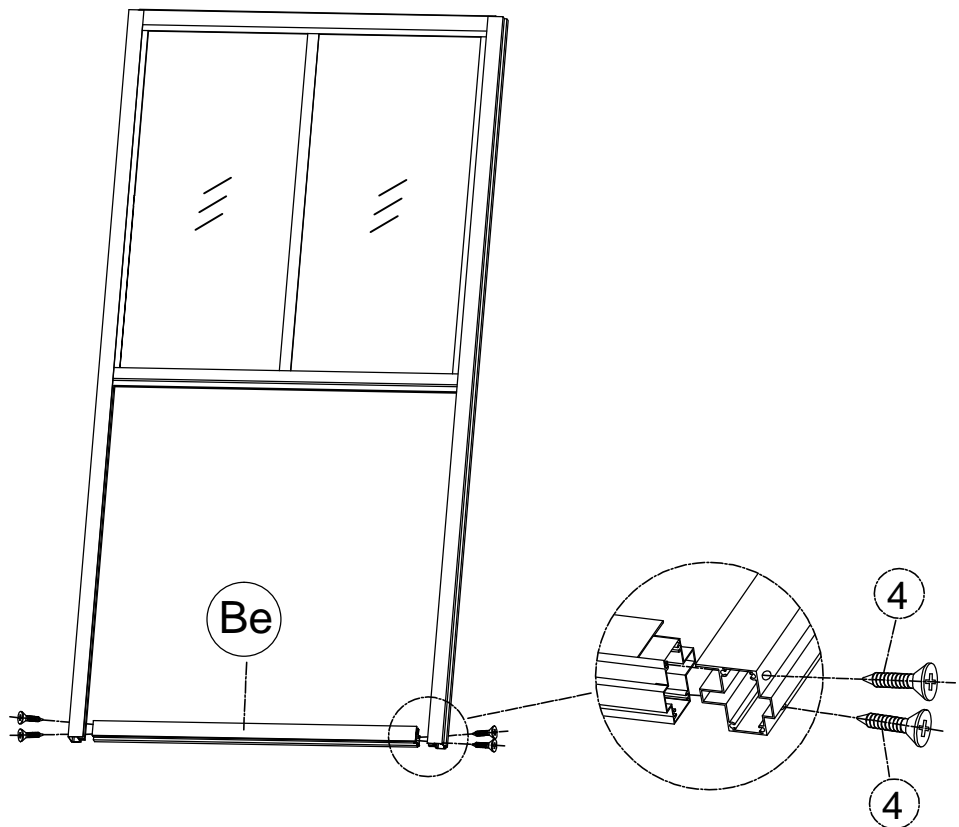
x2



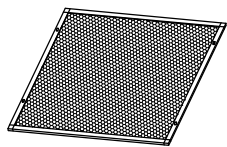
4 x8



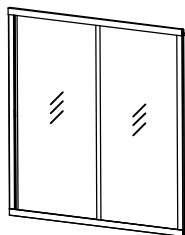
Be x2



# Assembly Steps of Gate B2



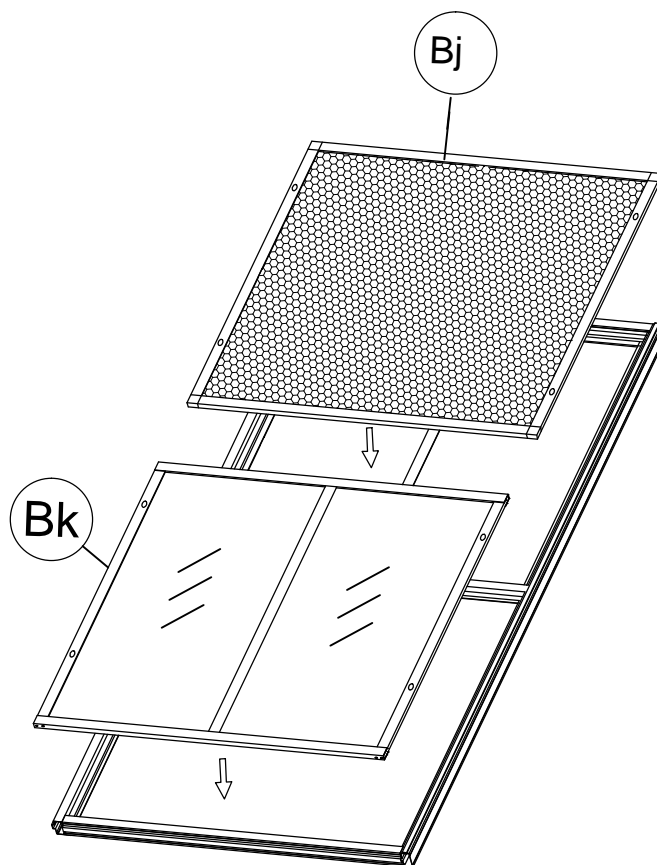
Bj x2



Bk x2

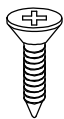
<5>

x2

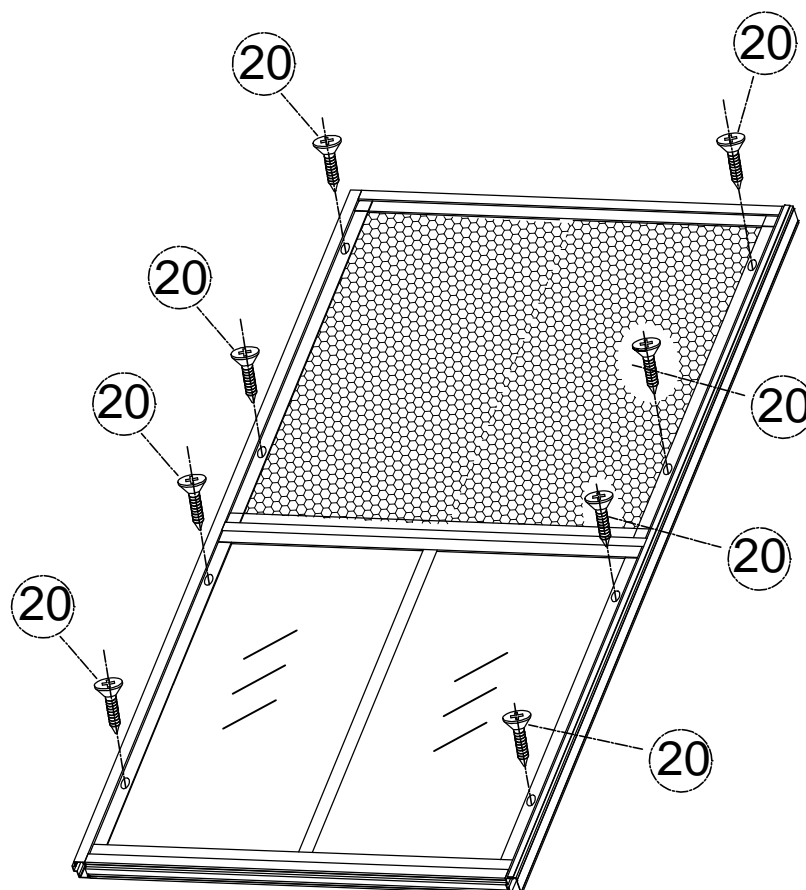


<6>

x2



20 x16





M6x15mm

5 x24

C x2

C1 x2

C2 x2

C3 x2

A x2

A1 x2

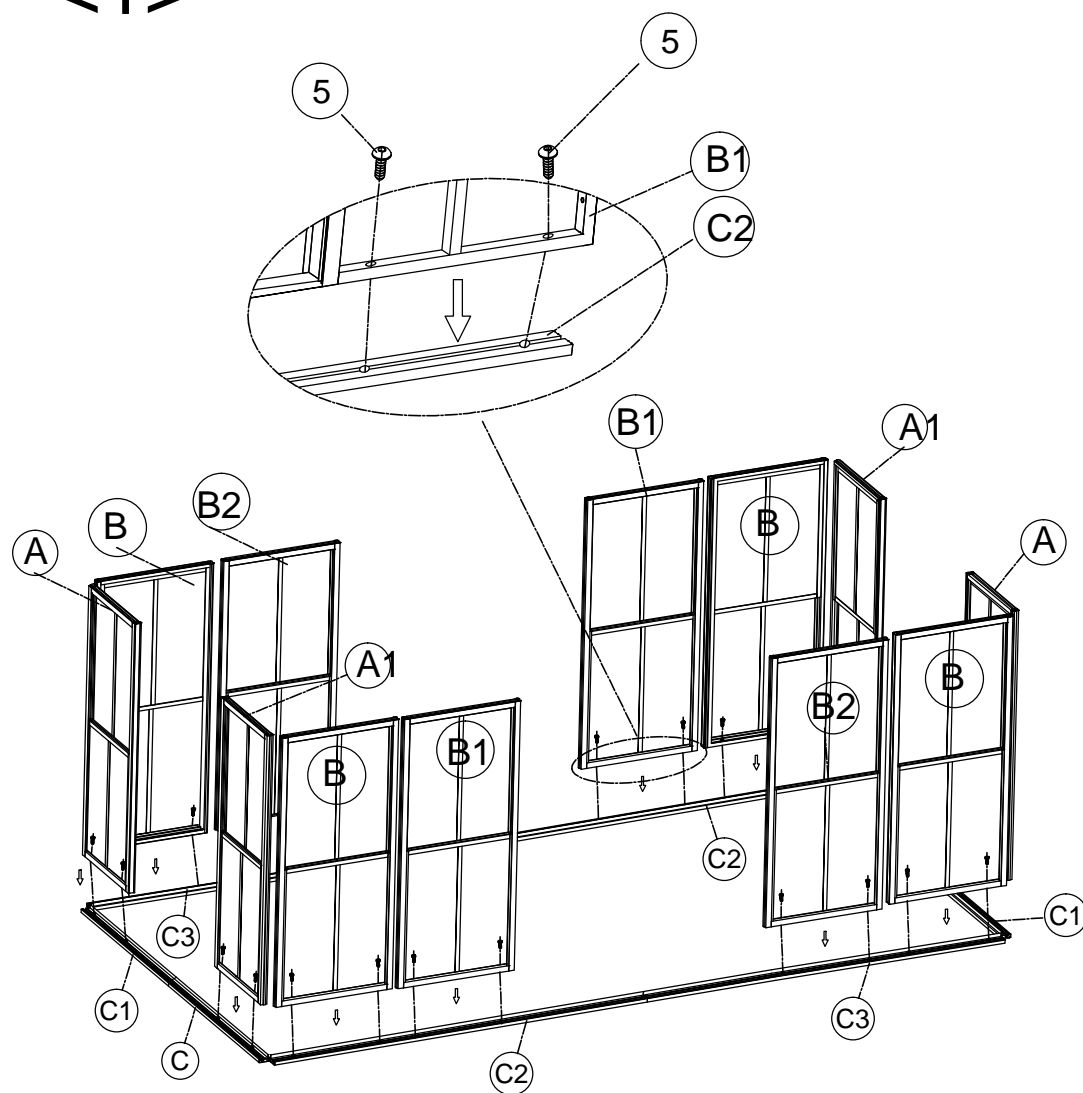
B x4

B1 x2

B2 x2

22

<1>



Step 1: first determine the location, and then arrange it in a regular manner.

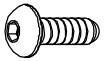
① As shown in the picture: 12FT positions C and C1 are placed together. 16FT positions C2 and C3 are placed together.

② As shown in the picture: Connect door piece A to bottom C and C1 at the 12FT position, then use screw 1 to pass through door piece A, connect to bottom C and C1, and tighten the screws.

③ Connect the B and B1 door pieces to the bottom C2 C3 at the 16FT position. Then use screw 1 to pass through door piece B and door piece B1, connect to bottom C2, and tighten the screws.



D x4

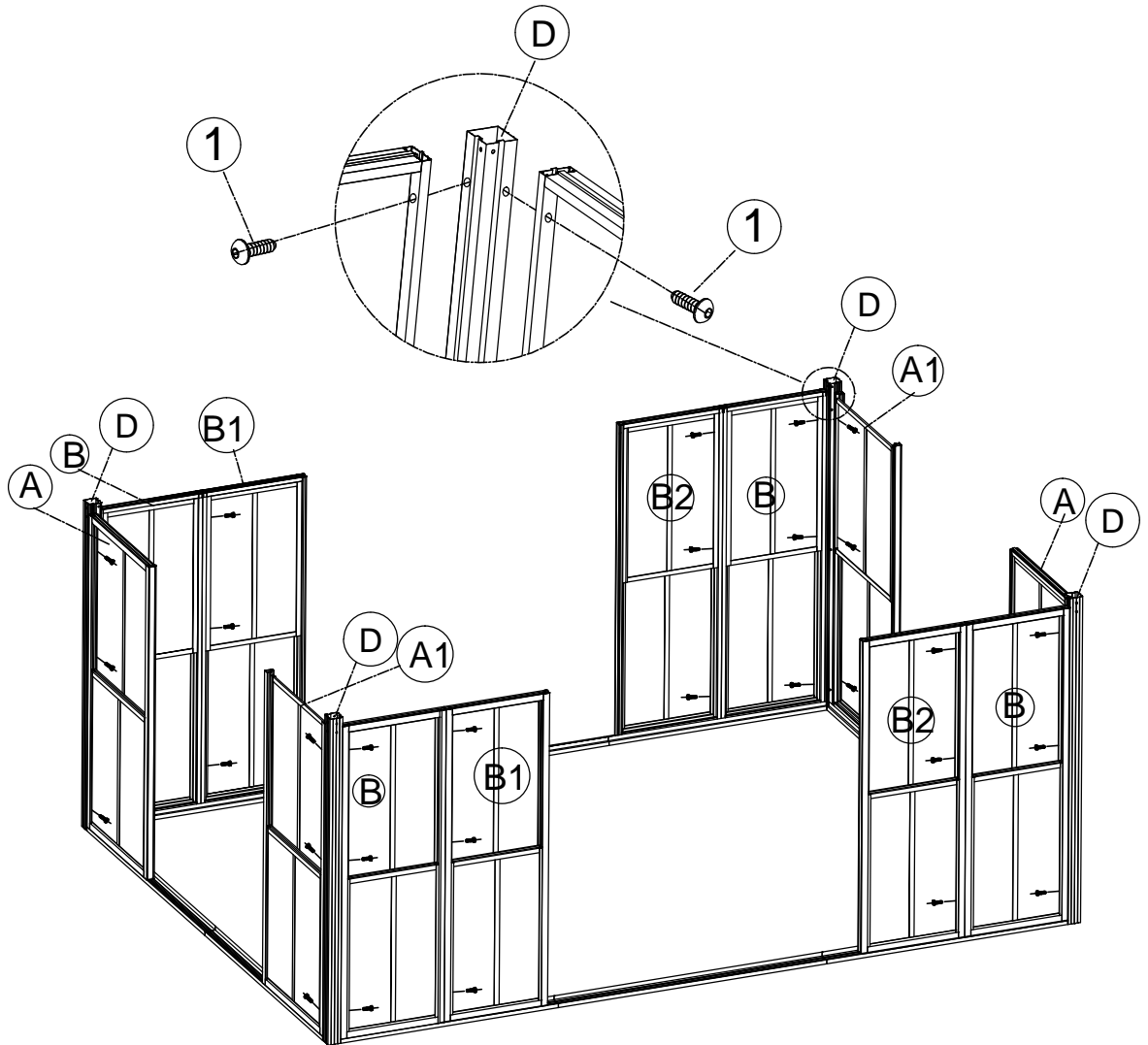


M6x35mm

1 x36

<2>

Note: There are additional accessories in D parts.  
Please take them out before assembling D.



Step 2:

①As shown in the picture: between door piece A and door piece B, put column D in, use screw 1 to pass through door piece A, connect to column D, and tighten the screws.

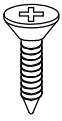
②As shown in the picture: Connect door pieces B and B1 at the 16FT position, then use screw 1 to pass through door piece B1, connect to door piece B, and tighten the screws. Note: All hole positions must be aligned.



X x2

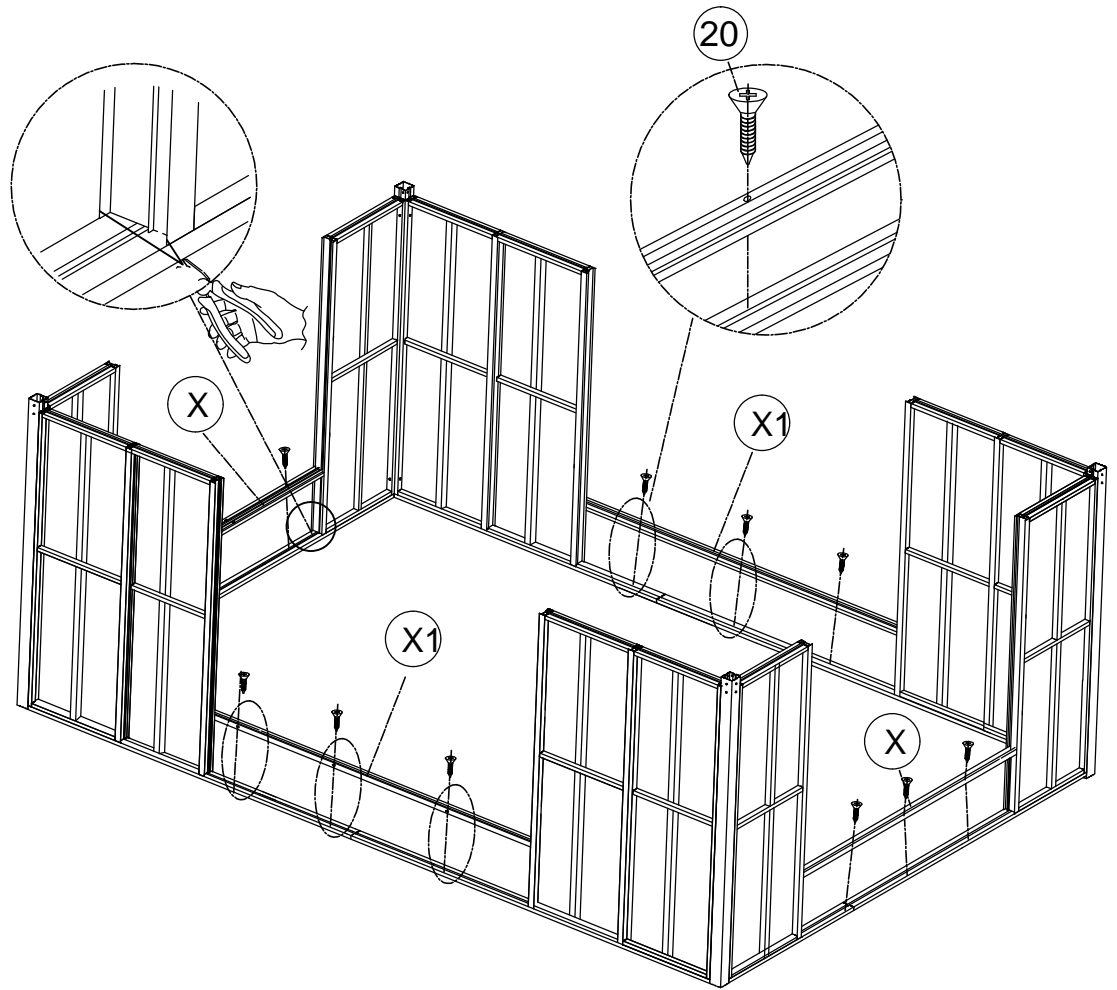


X1 x2

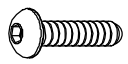
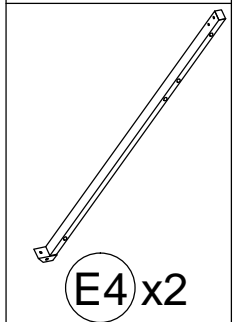
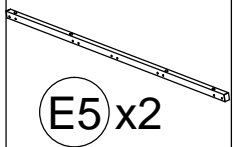
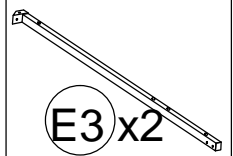
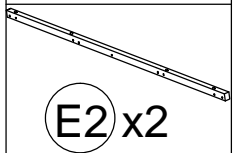
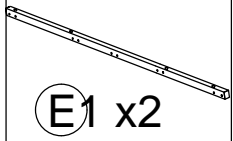
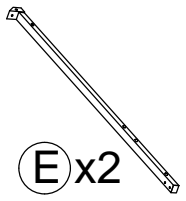


20 x12

<3>



Step 3: As shown in the picture: snap the lower track X into the bottom frame, use self-tapping screws 20 to pass through the lower track and connect to the bottom frame, and tighten the screws. (It is recommended to use a cordless electric drill)



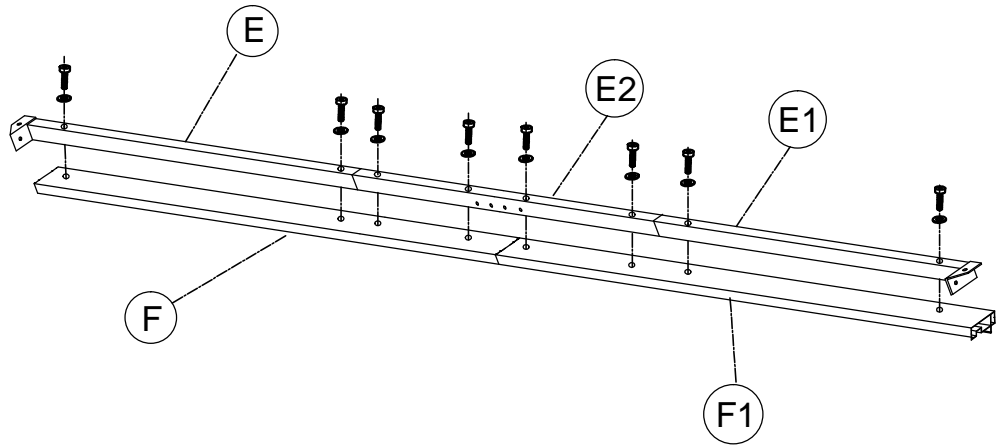
**3** x36



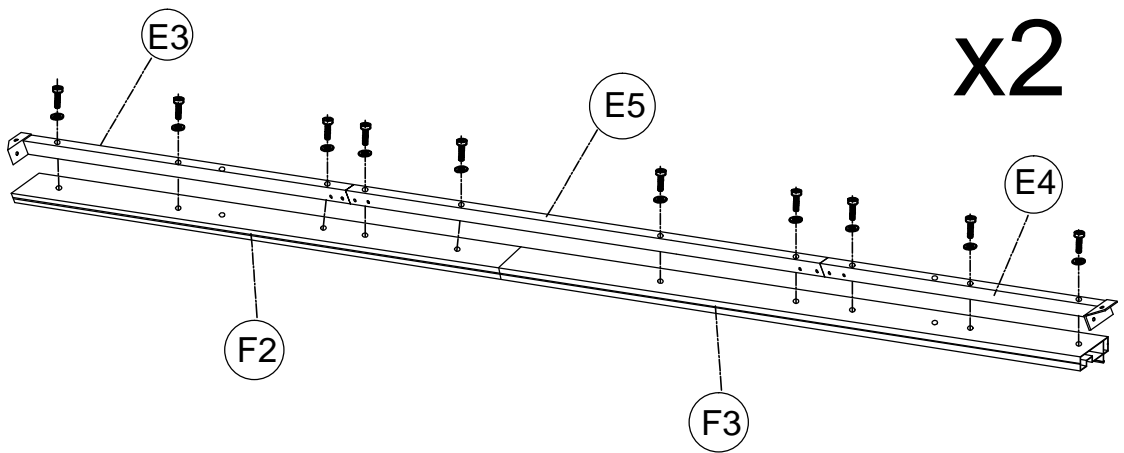
**2** x36

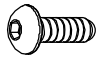
<4>

x2



x2

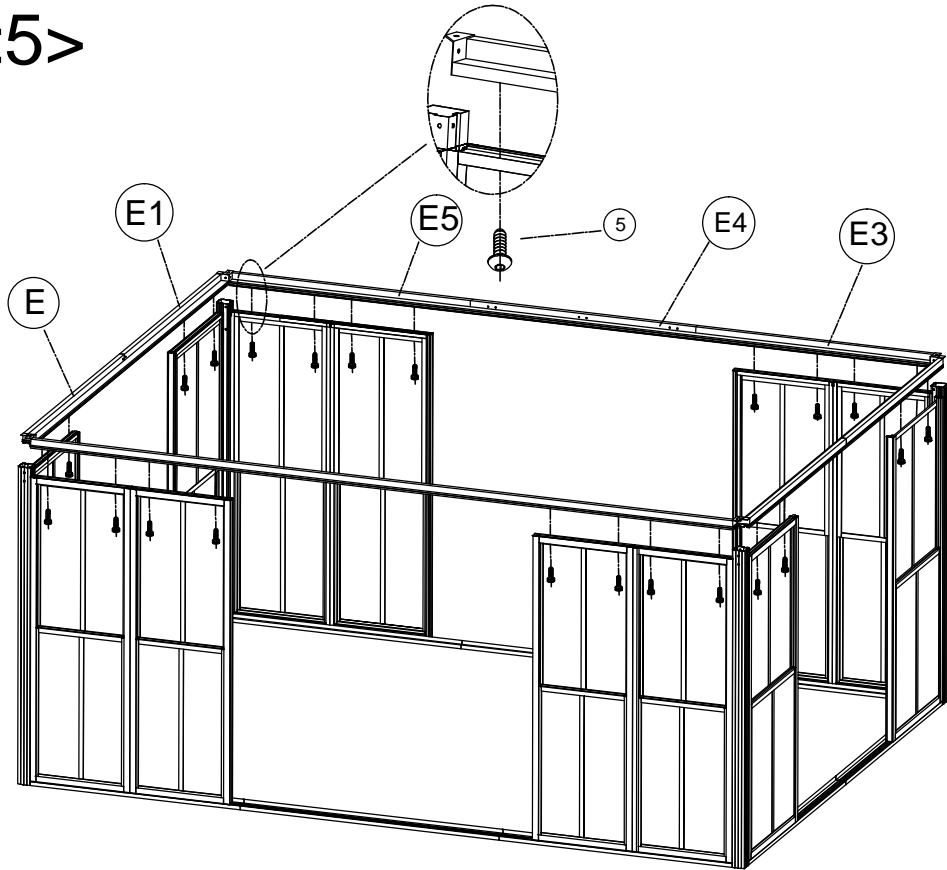




M6x15mm

5 x24

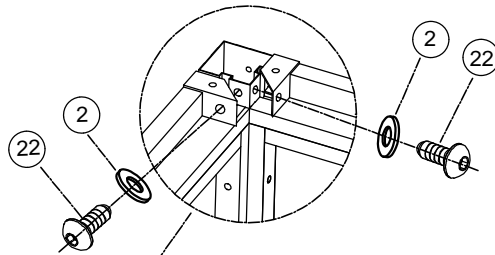
<5>



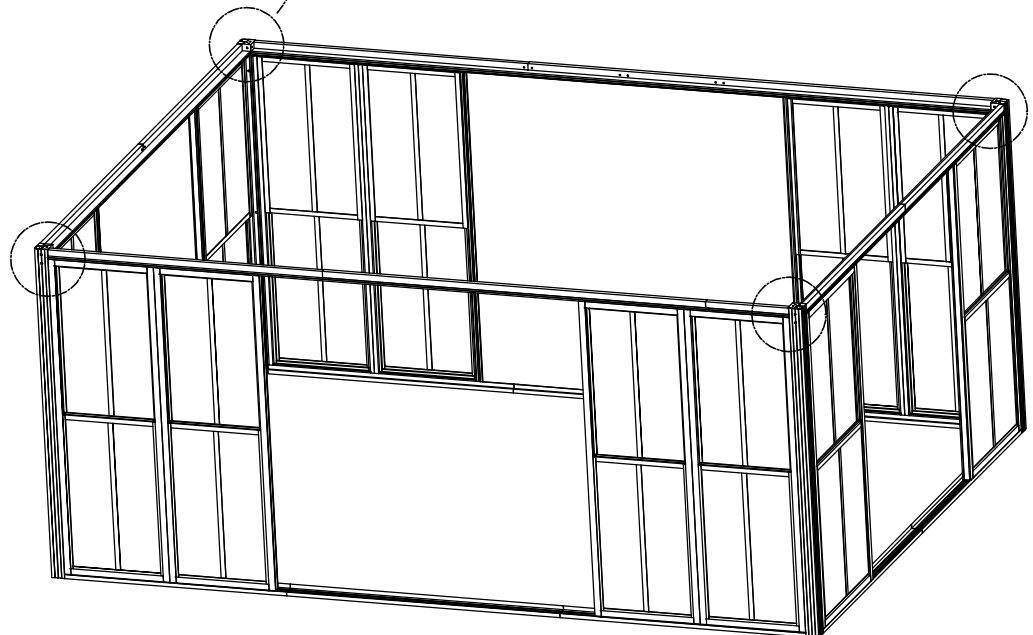
M6x15mm

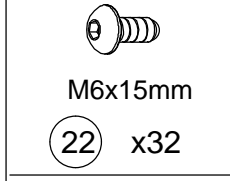
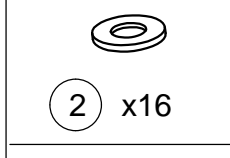
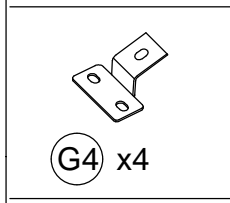
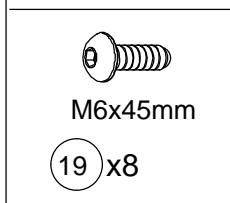
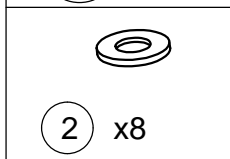
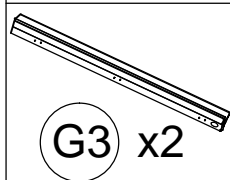
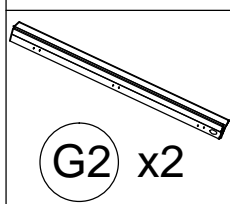
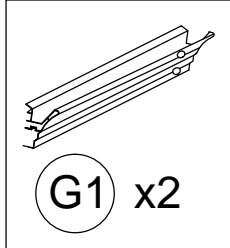
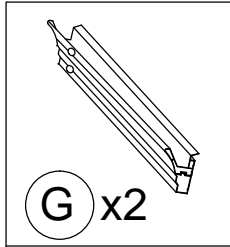
22 x8

<6>

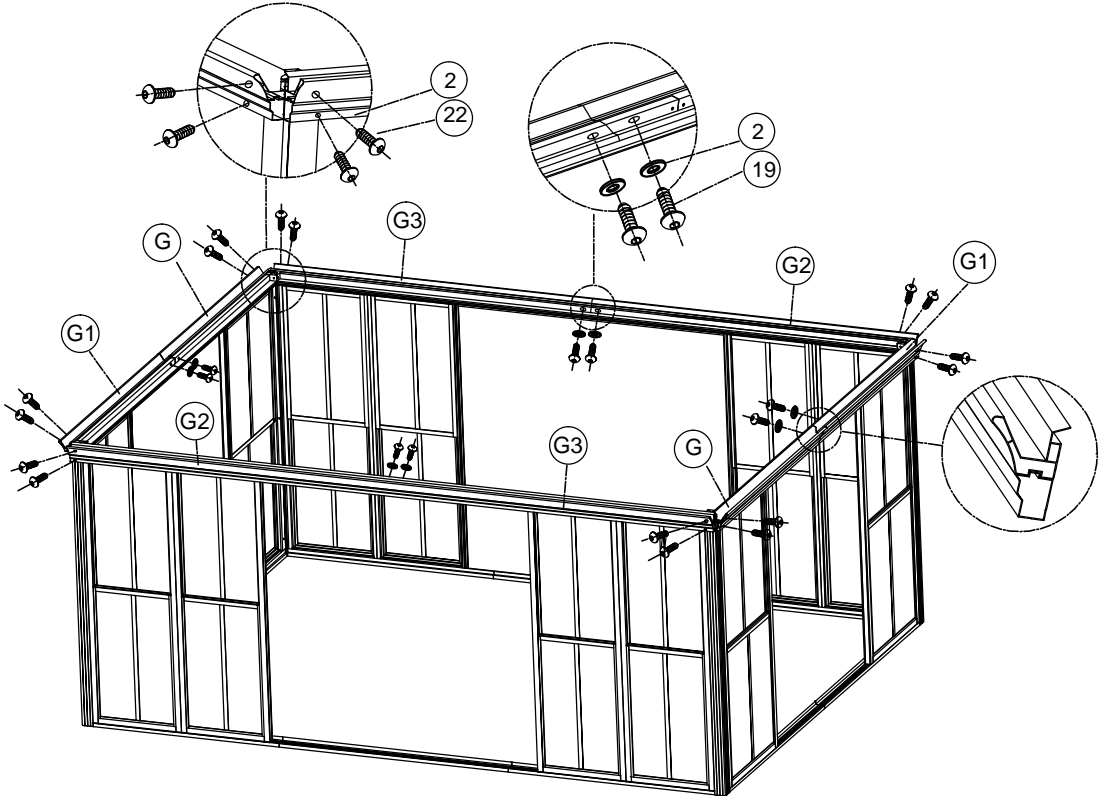


2 x8

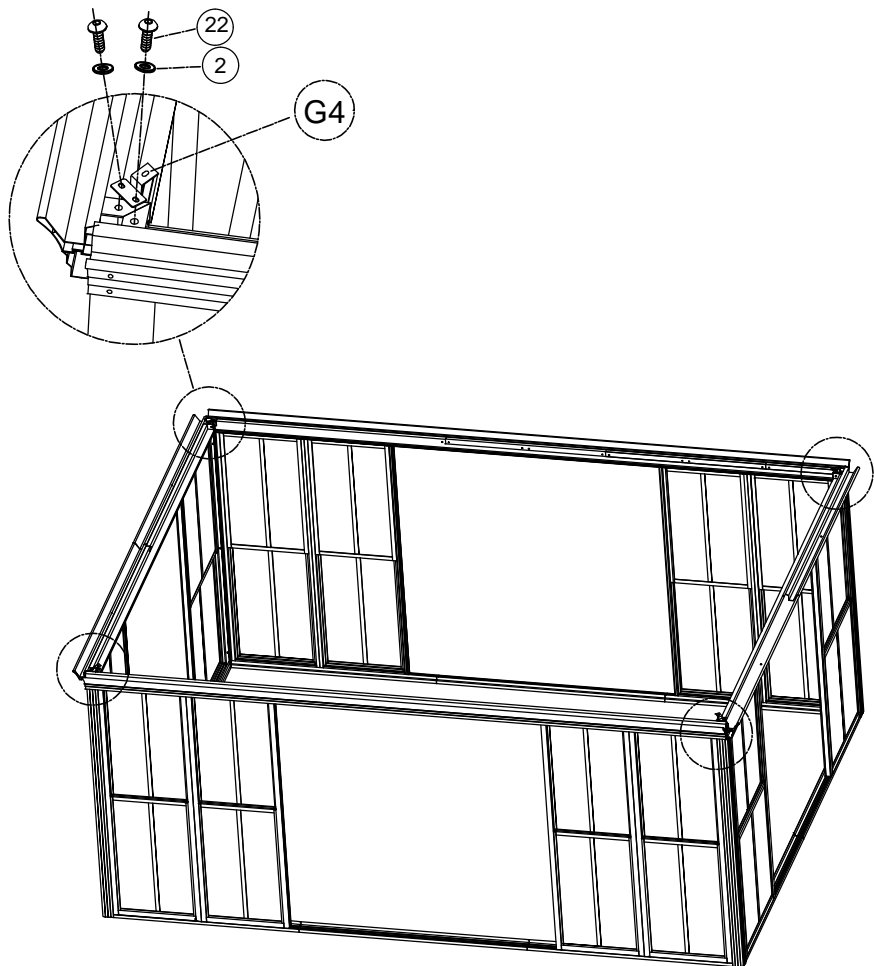


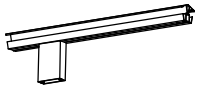


<7>



<8>

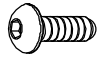




(H) x4



(H1) x4



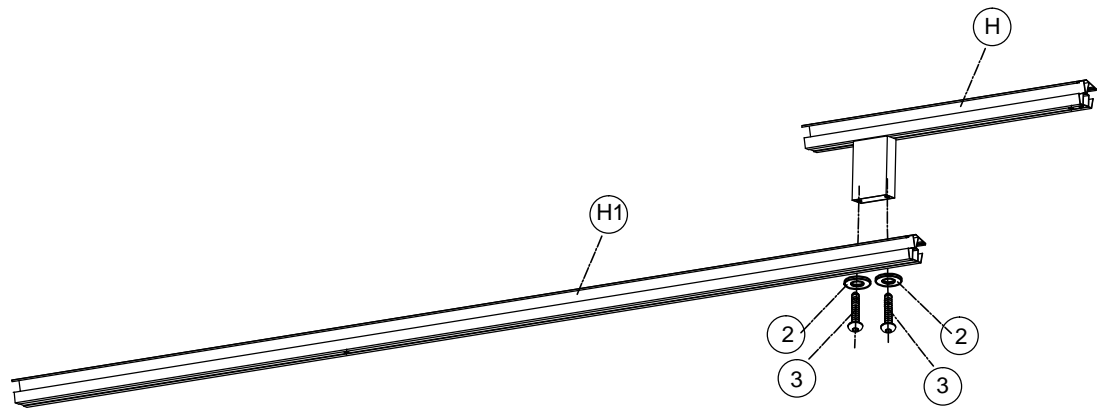
M6x55 mm

(3) x8

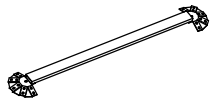


(2) x8

<9>



x4



(I) x1



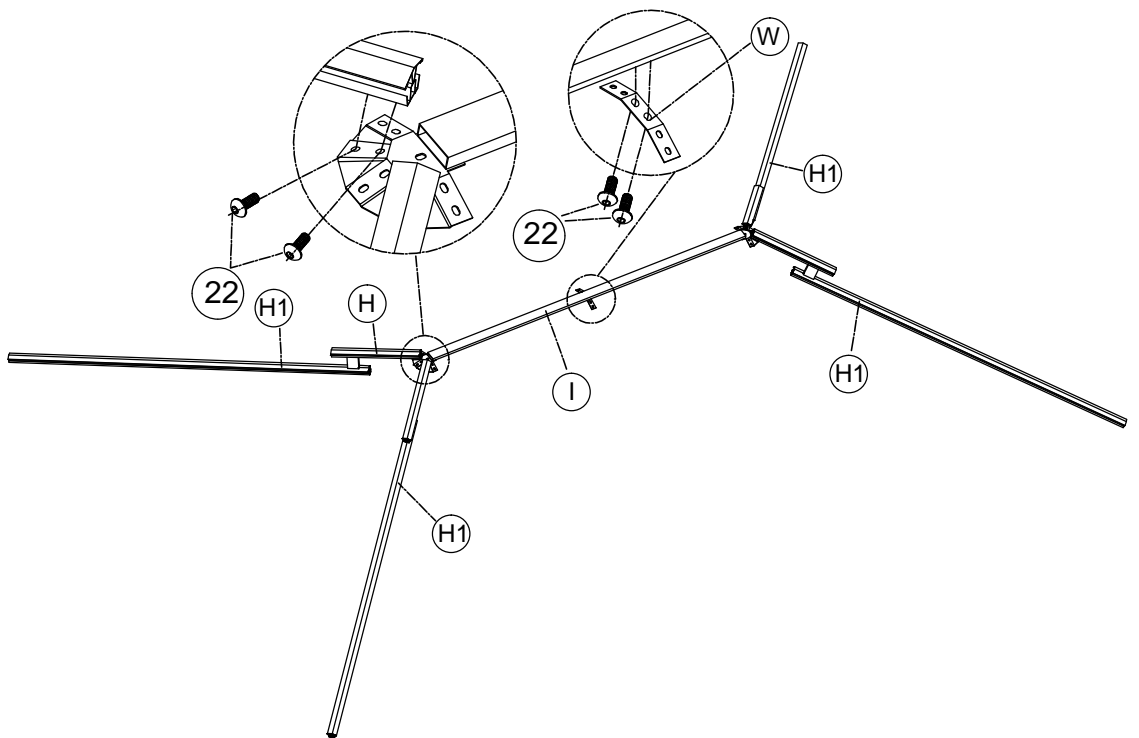
M6x15mm

(22) x10



(W) x1

<10>





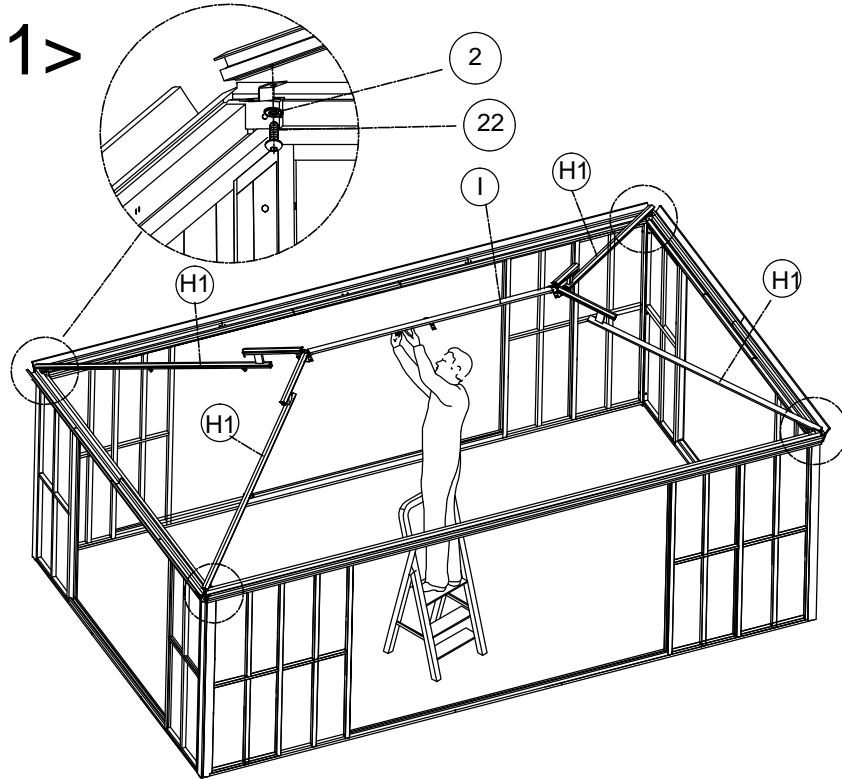
2 x4



M6x15mm

22 x4

<11>



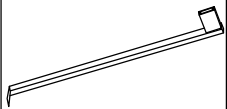
Note:

1. Let one person stand on the ladder to lift "I" and hold and let others fasten the screws connecting both ends of "H".

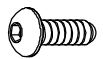
2. Please do not let go of holding "I" until all the "H" screws are installed.



J x8



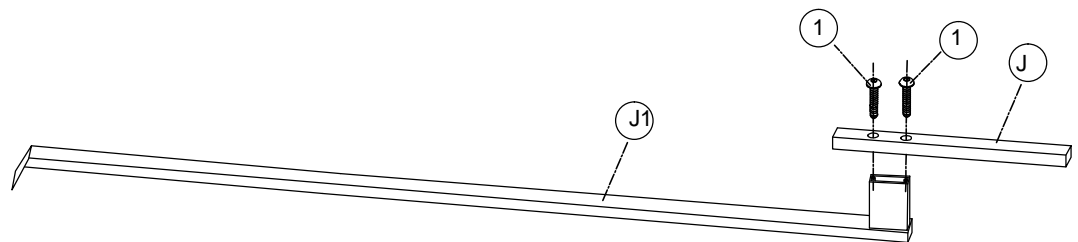
J1 x8



M6x35mm

1 x16

<12>



x8



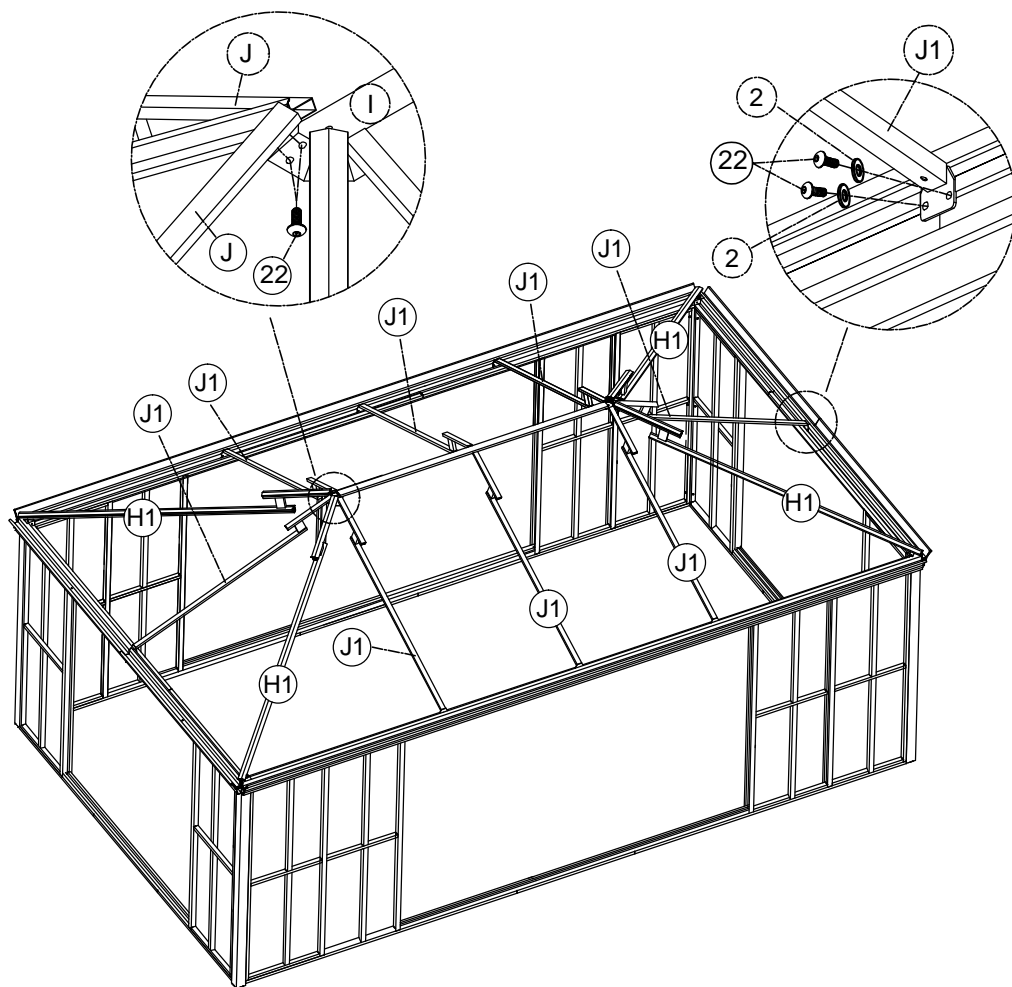
② x16

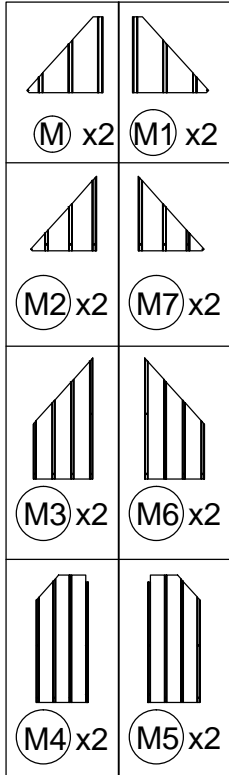


M6x15mm

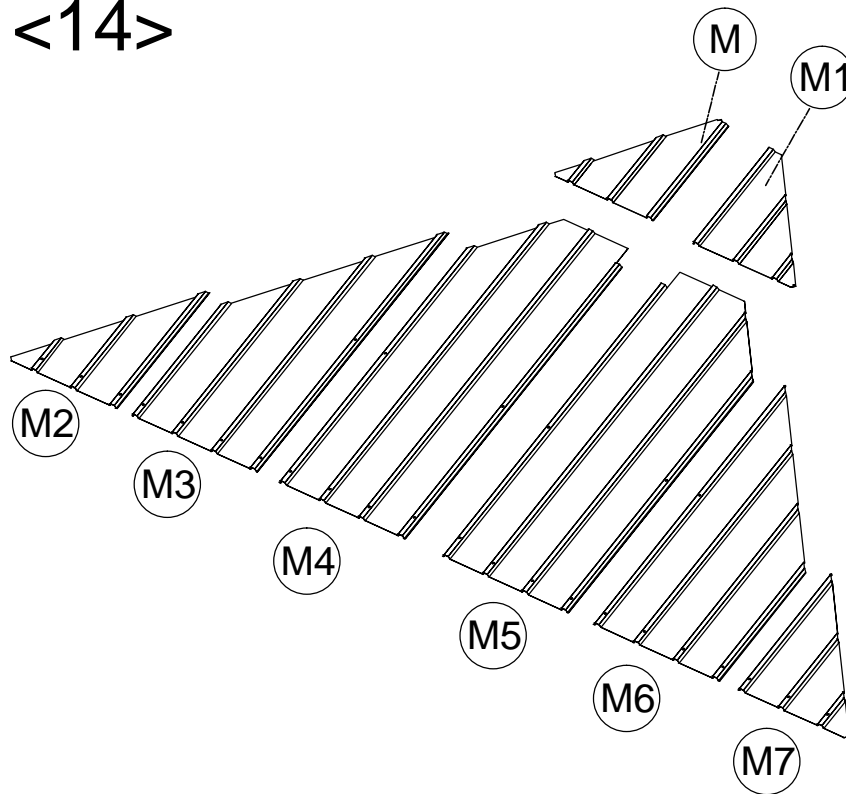
②② x32

<13>

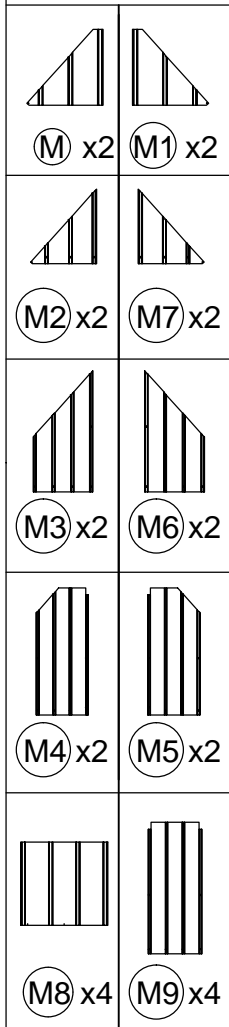




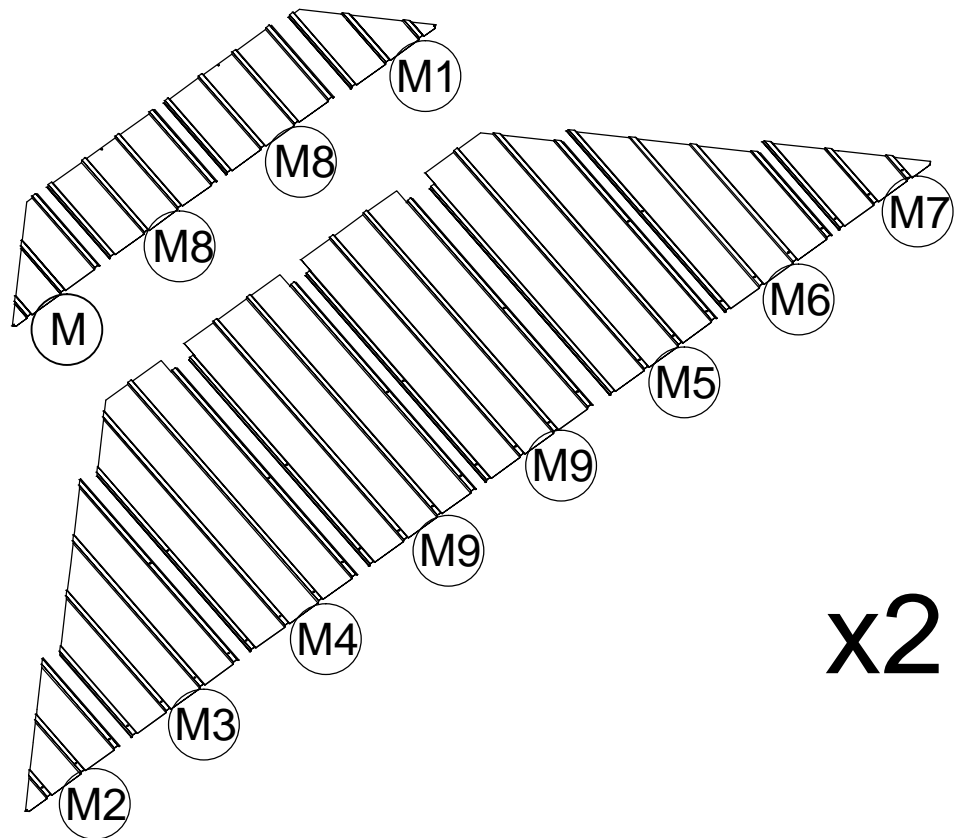
<14>



x2

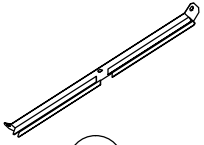


<15>

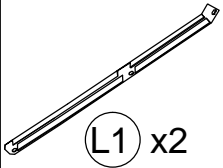


x2

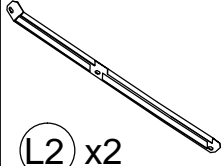
# <16>



L x2



L1 x2

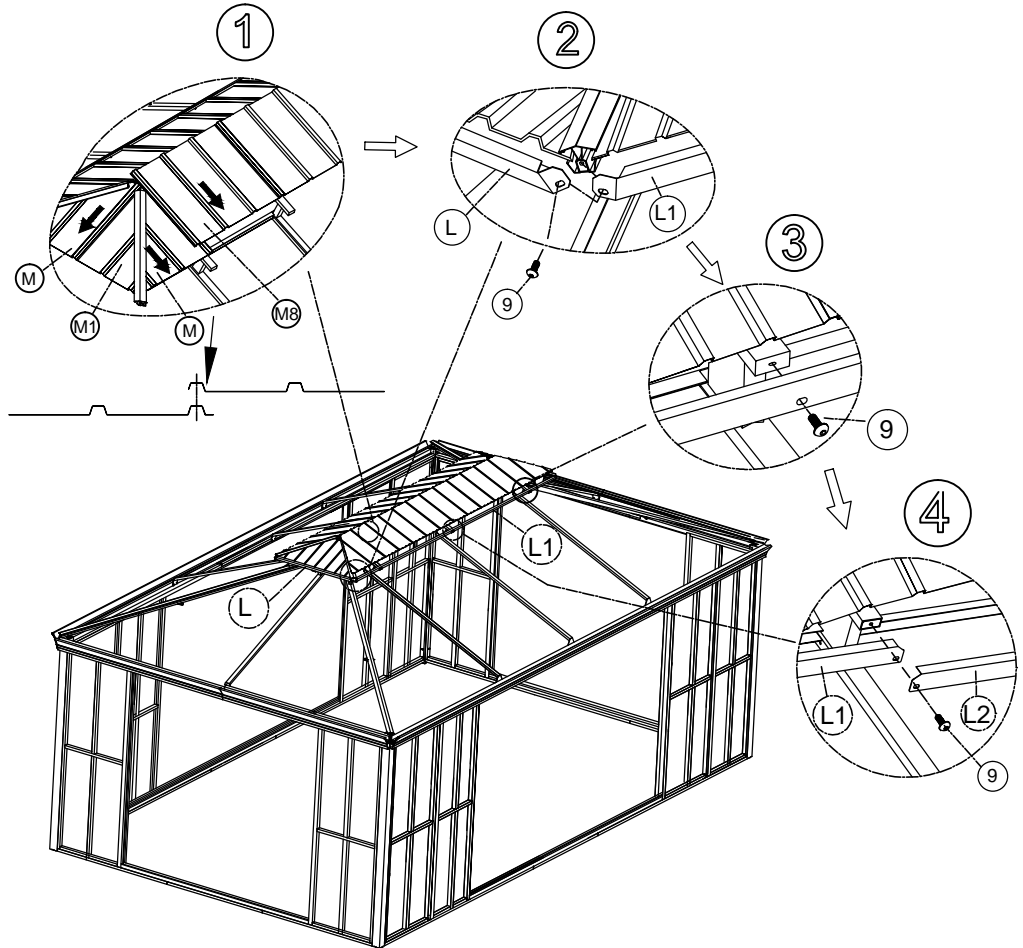


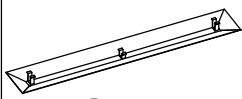
L2 x2



M6x25mm

9 x12





(N) x1

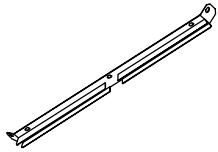


M6x45mm

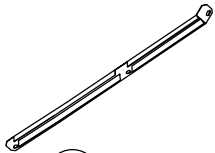
(19) x3



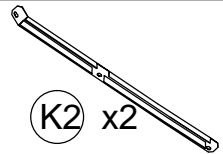
(18) x2



(K) x2



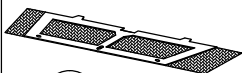
(K1) x2



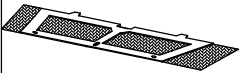
(K2) x2



(K3) x2



(K4) x2



(K5) x2



M6x15mm

(22) x12

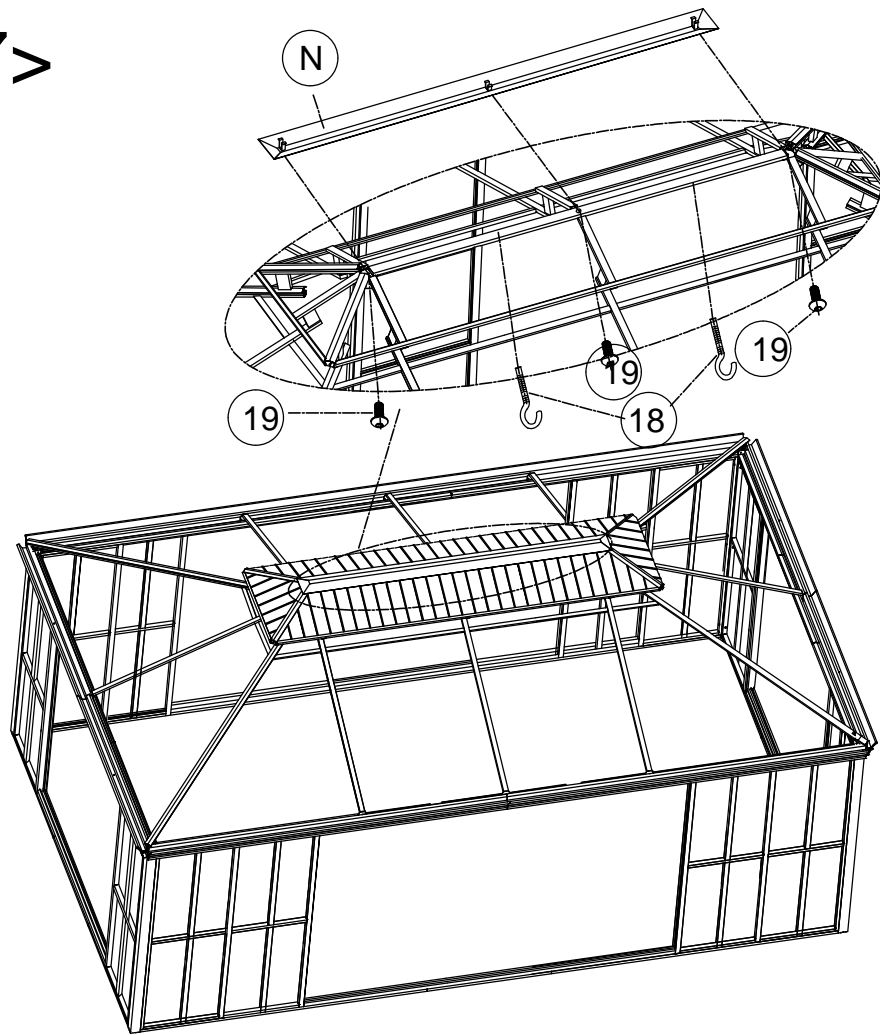


M6

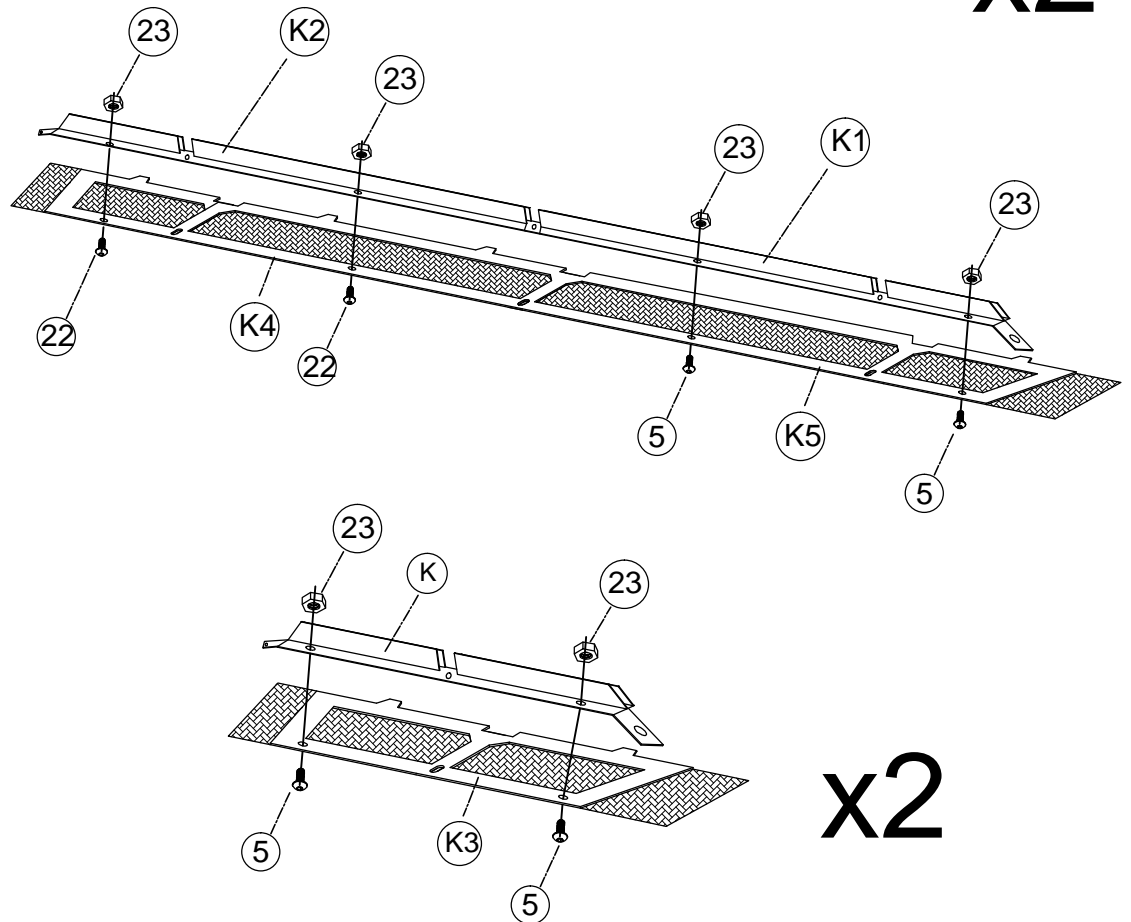
(23) x12

33

# <17>



# <18>



x2

x2

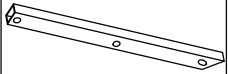
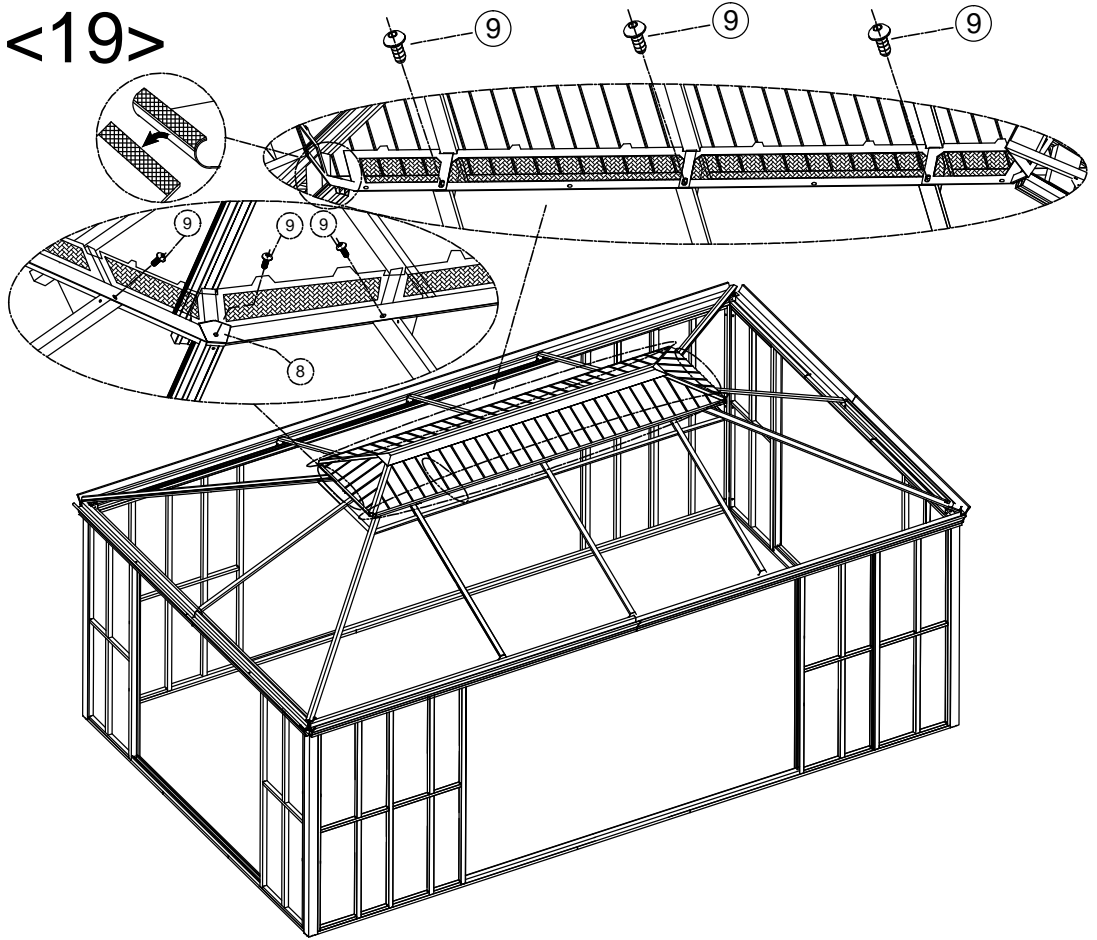


M6x25mm  
9 x12

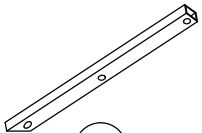


8 x4

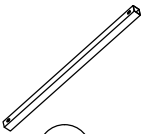
<19>



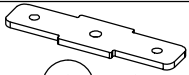
O x4



O1 x4



O2 x4



6 x8



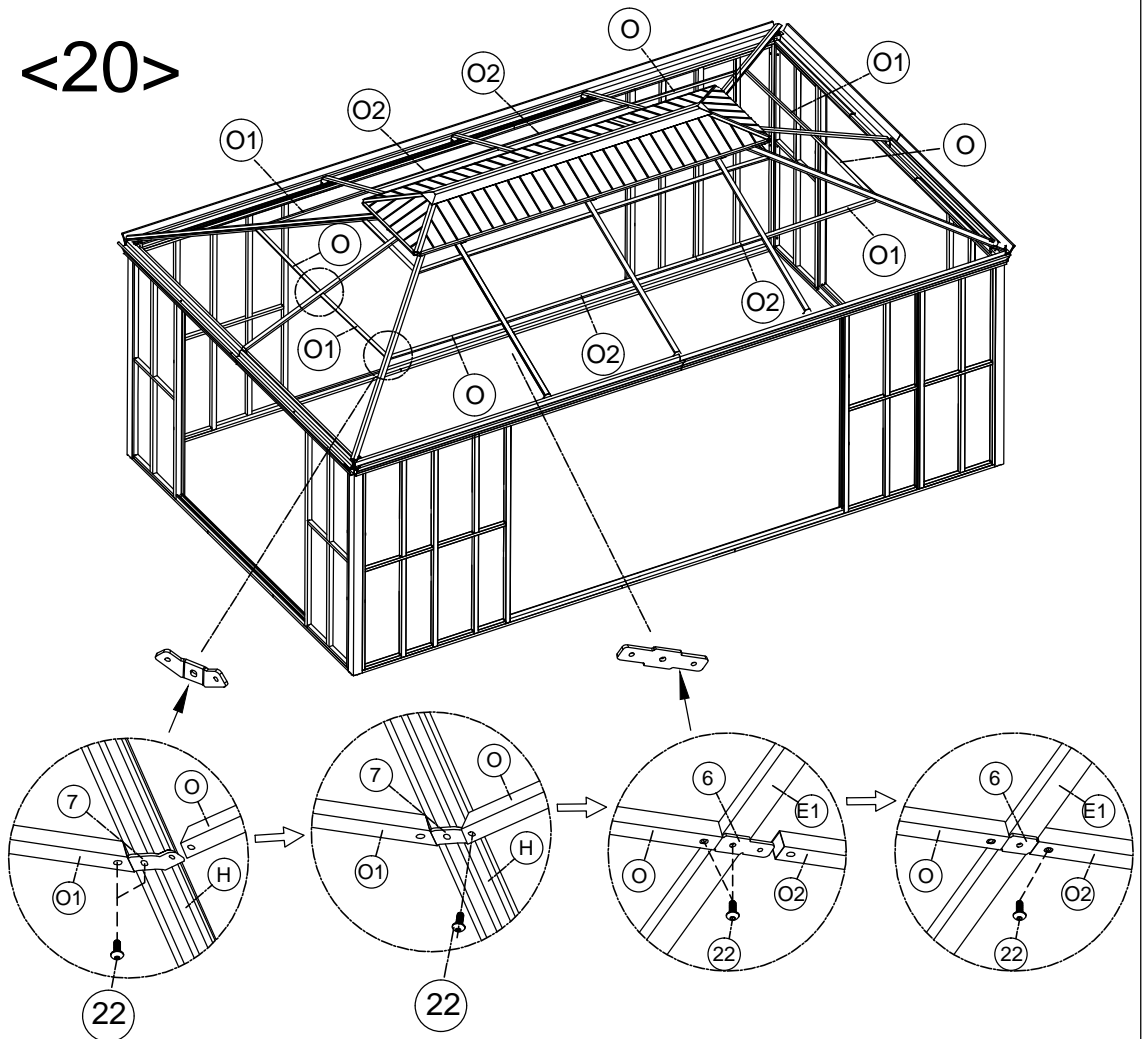
7 x4



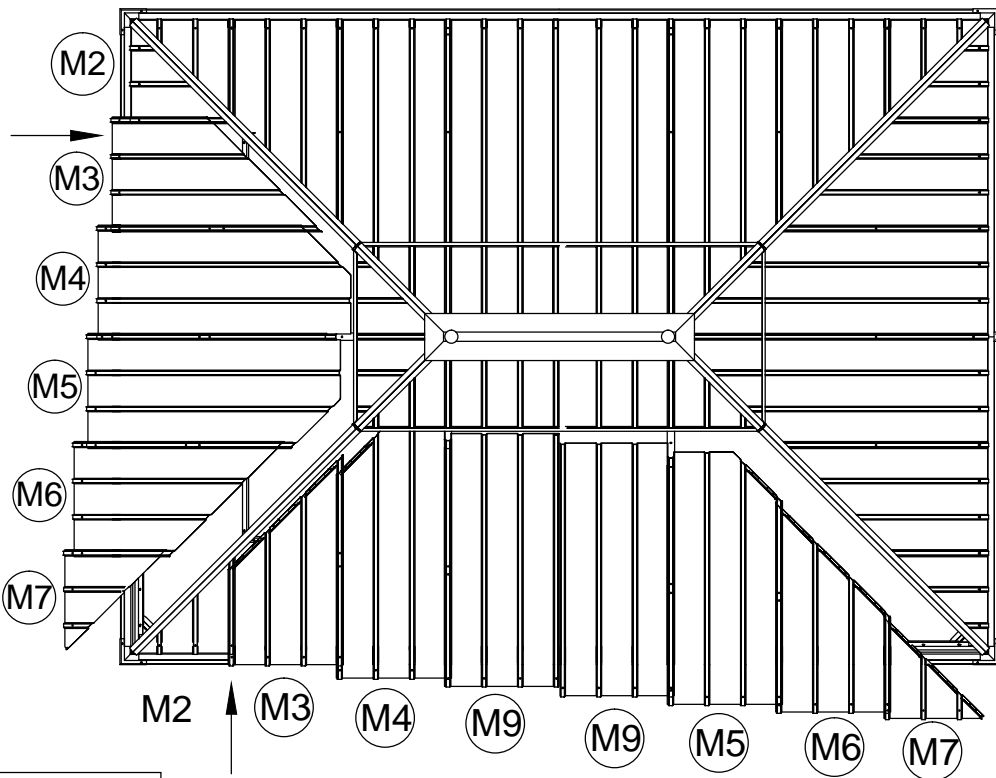
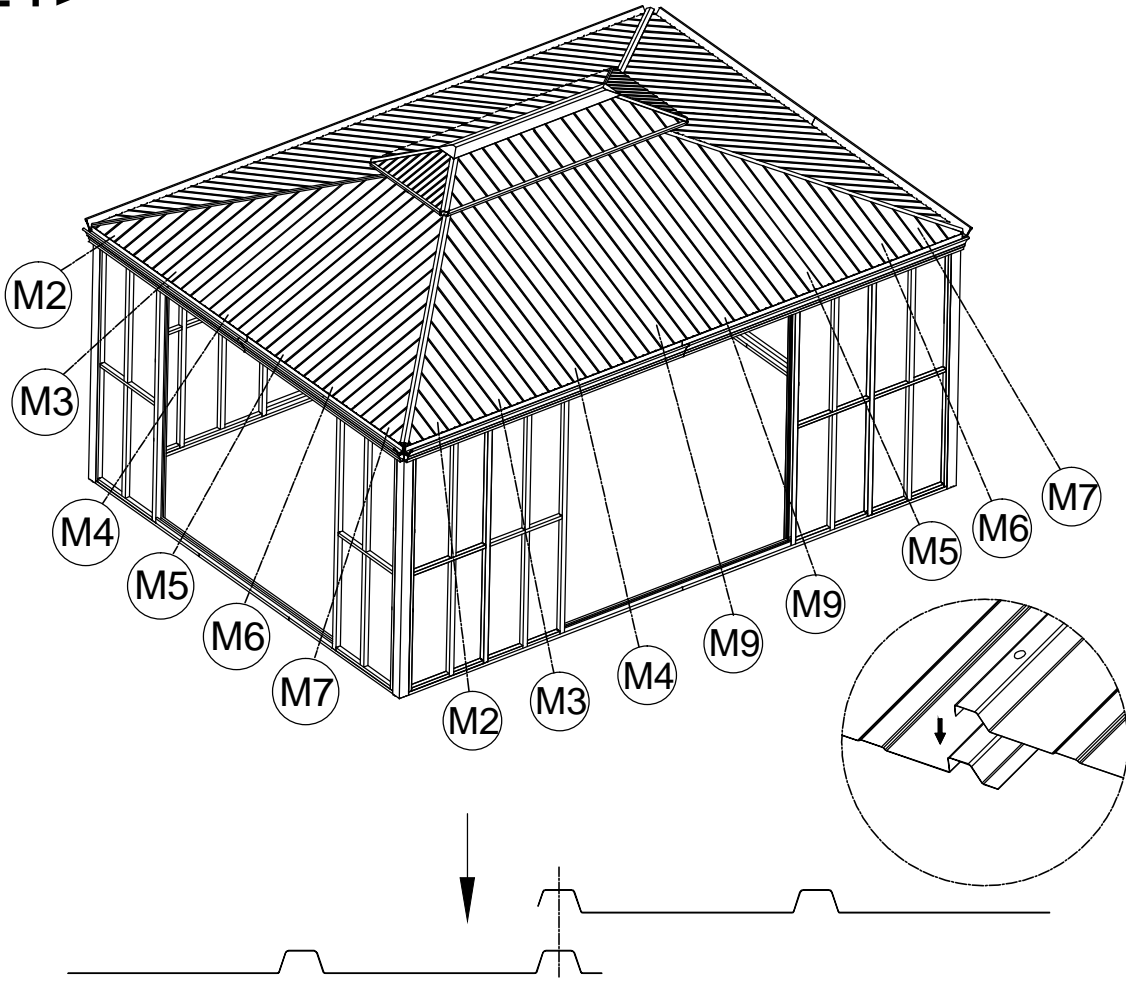
M6x15mm  
22 x36

34

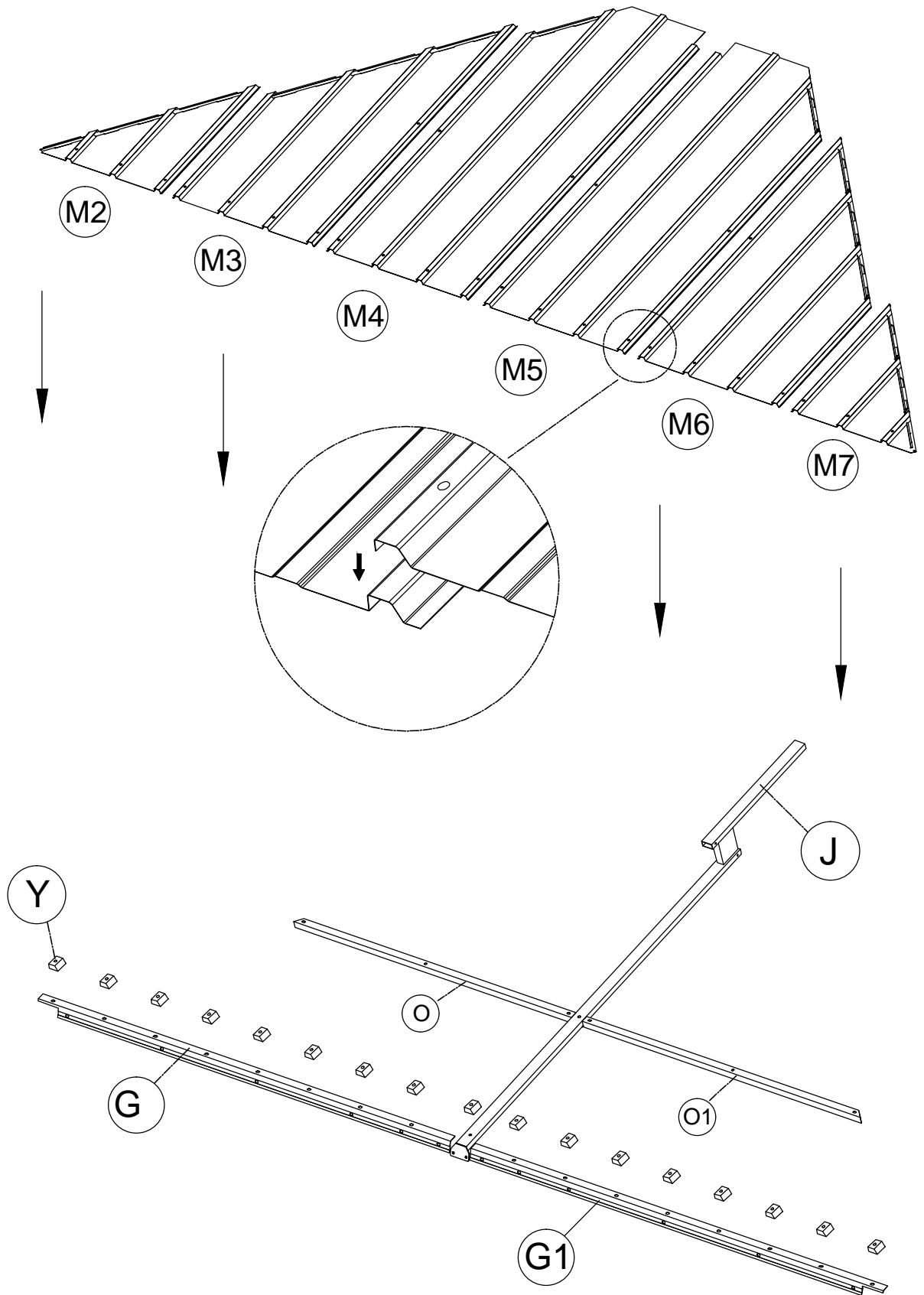
<20>



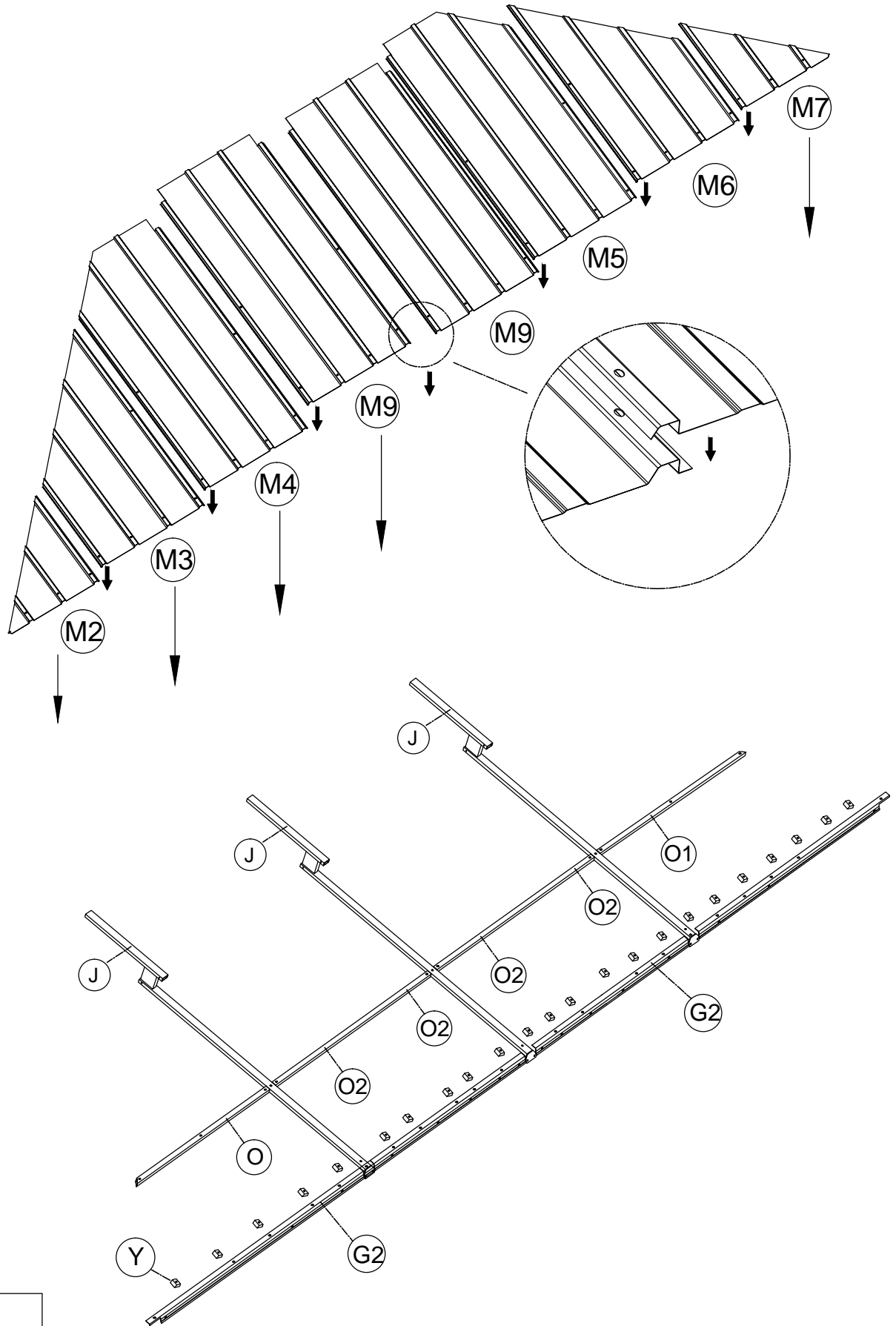
<21>



<22>



<23>





<24>

Y x72



M6x25mm

9 x112

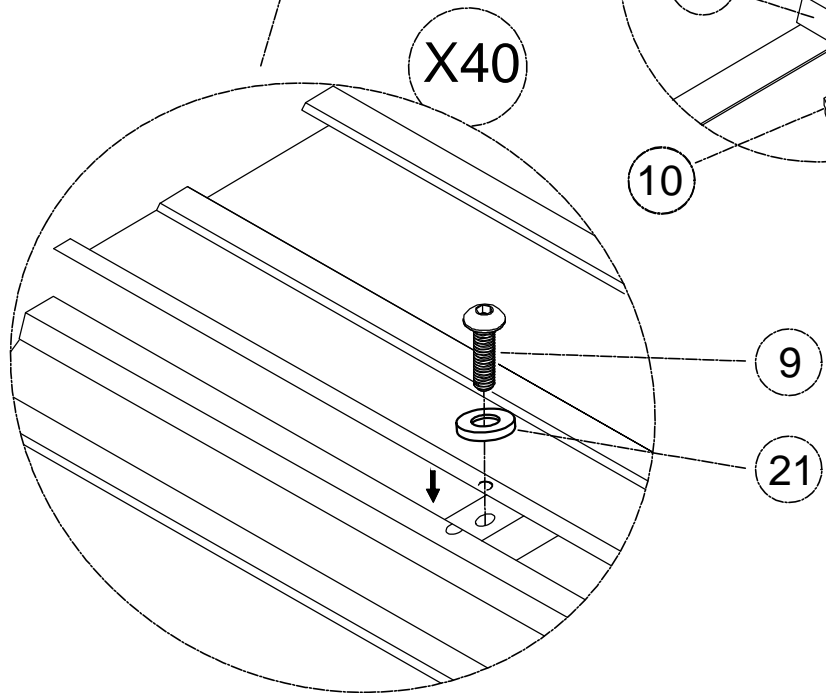
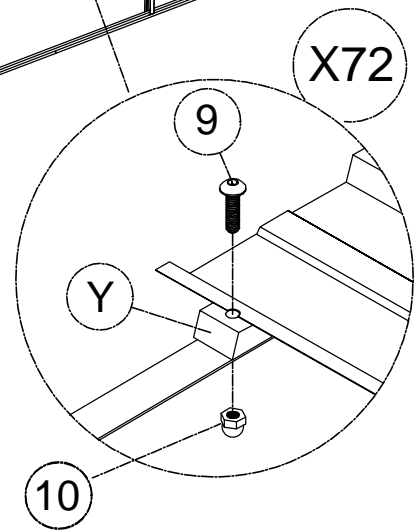
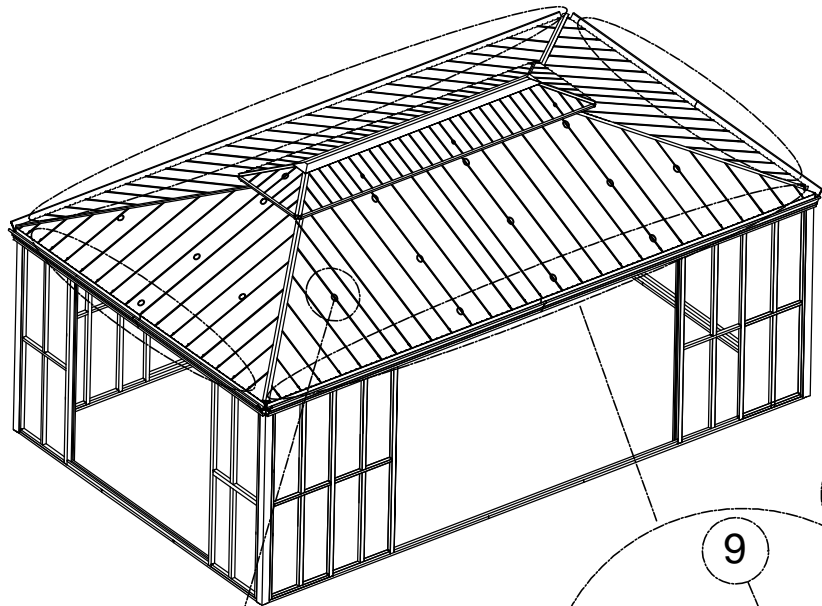


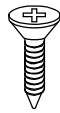
M6

11 x72



21 x40





4 x4



T x2



R x2



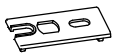
S x2



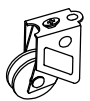
P x2



11 x2



12 x2



13 x2



14 x2

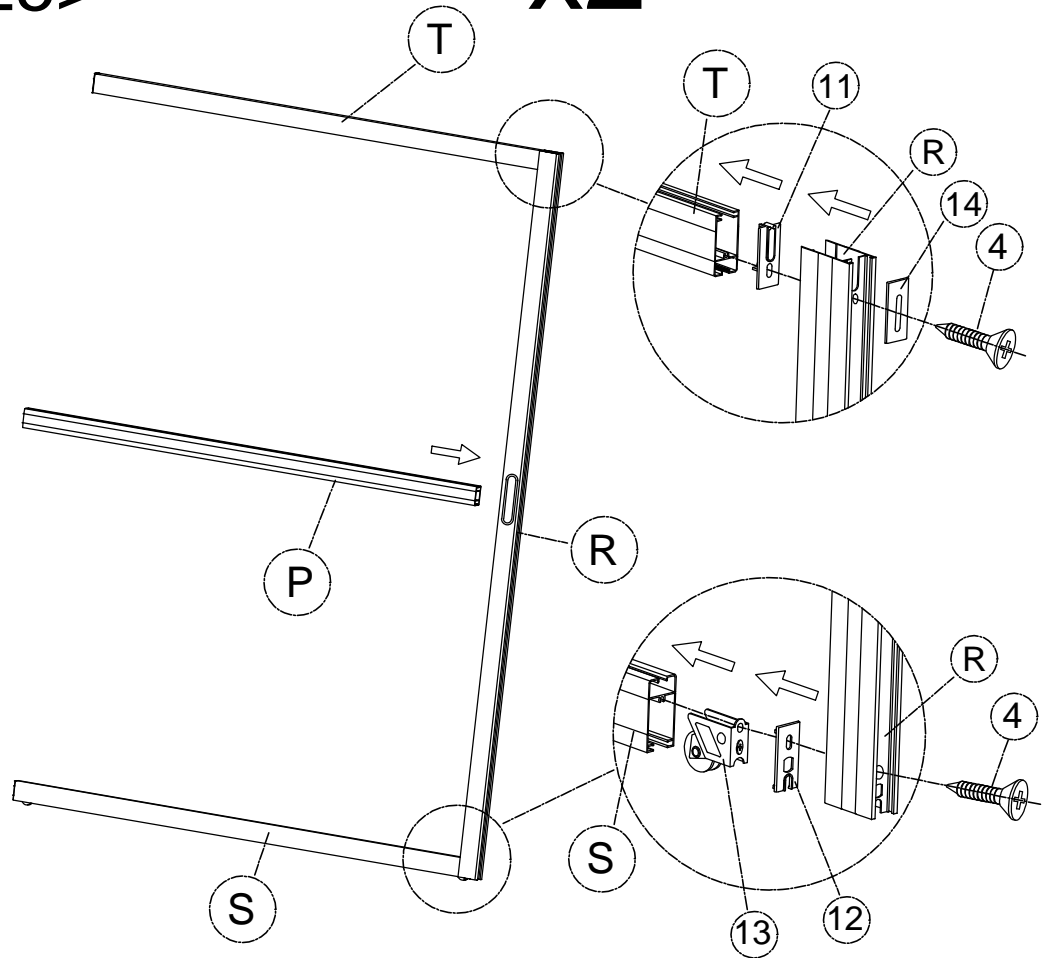


Q x4

39

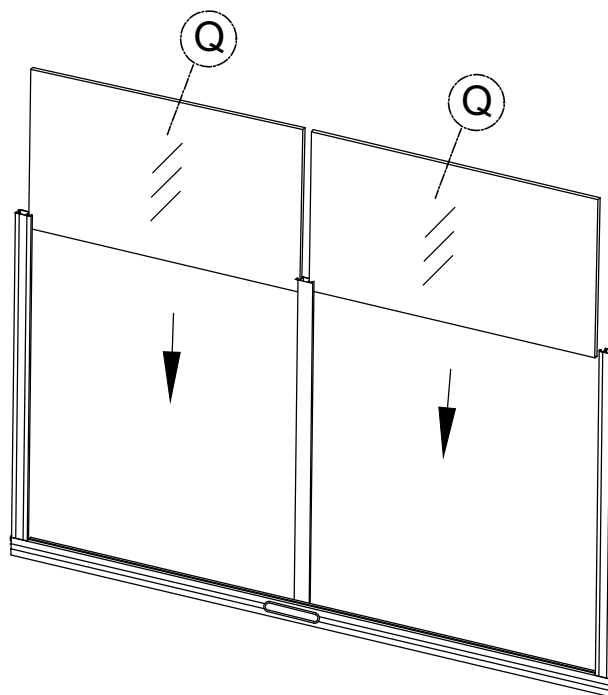
<25>

x2



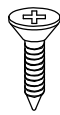
<26>

x2





Z1 x4



4 x4



U x2



11 x2



12 x2



13 x2



14 x2

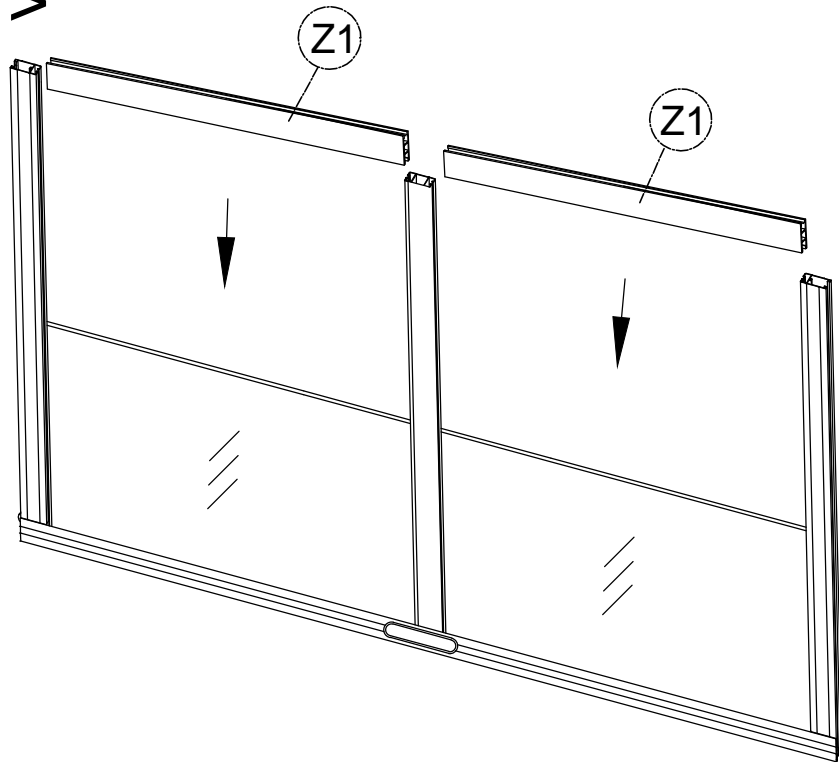


Q x4

40

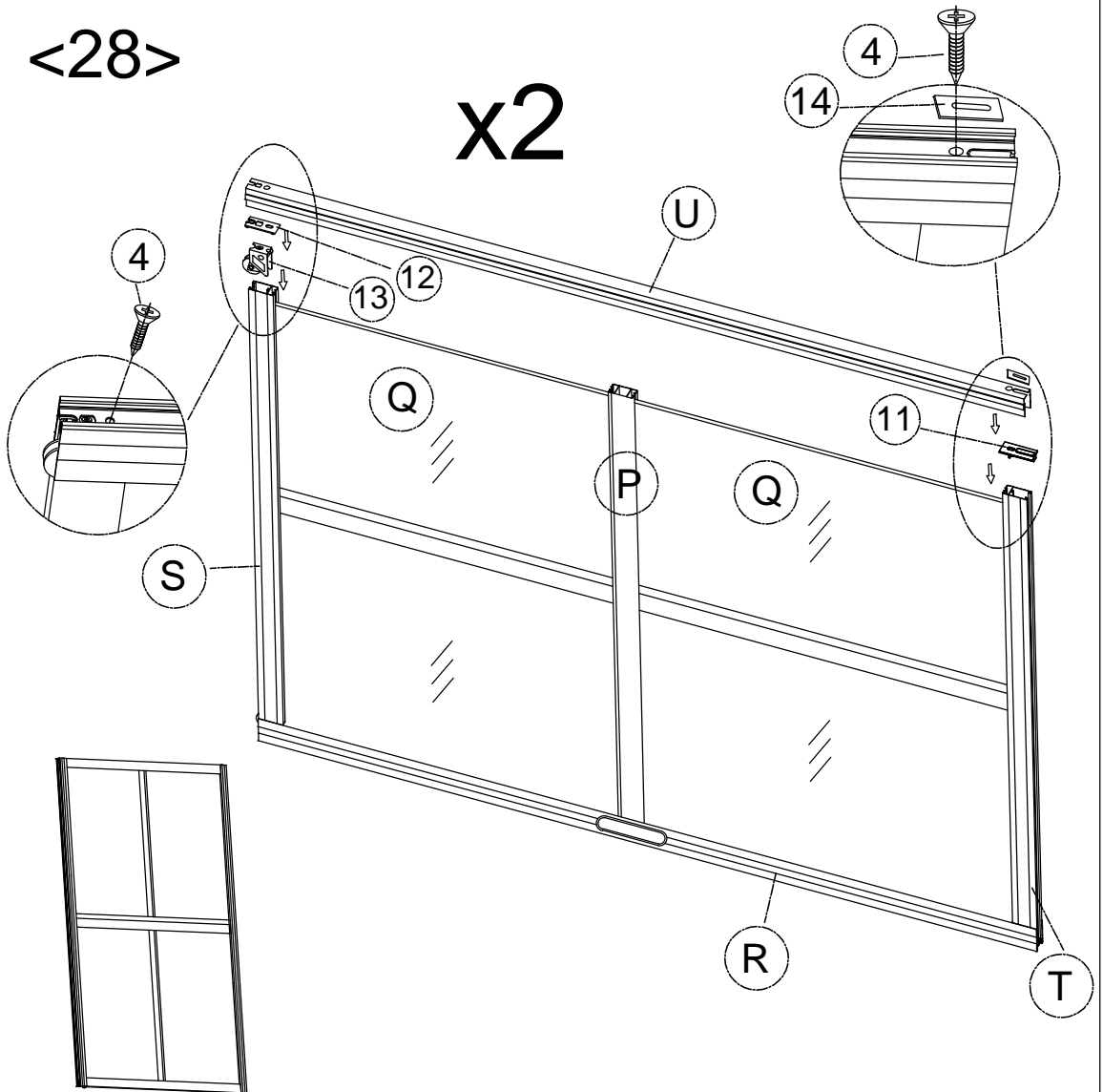
<27>







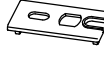



x2



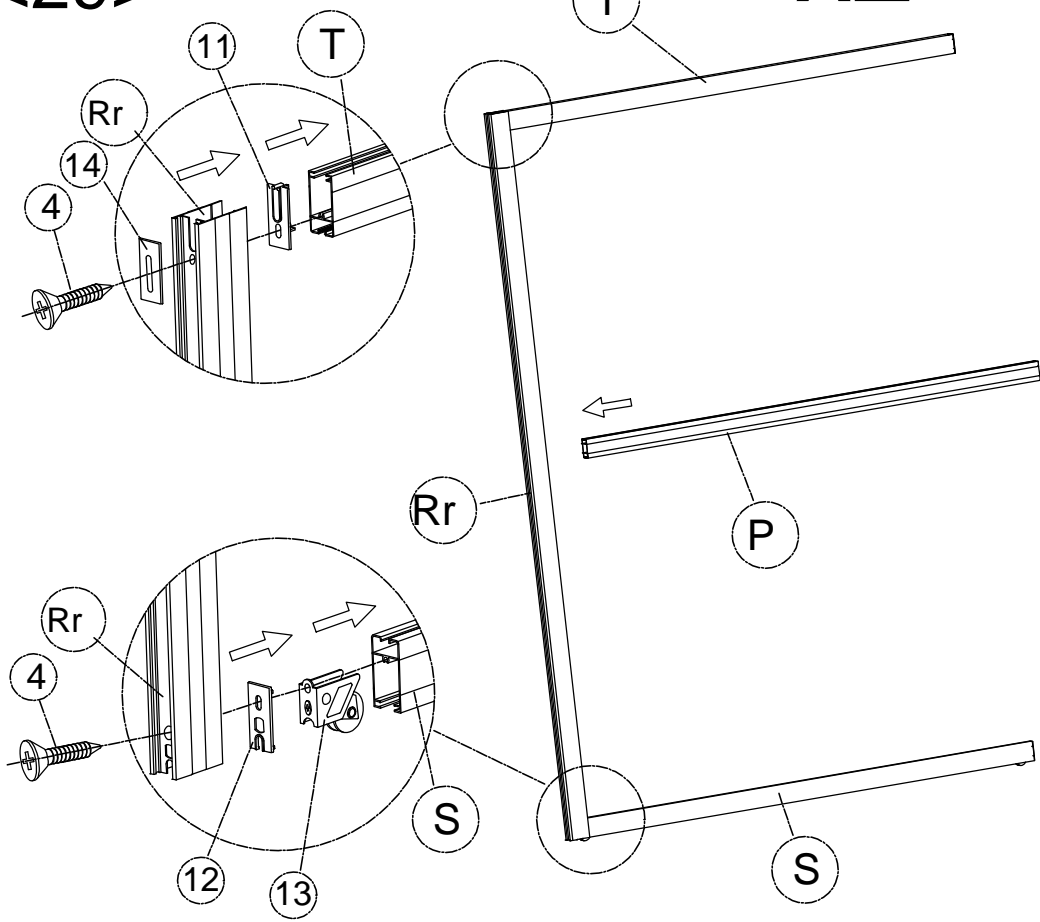
<28>

x2

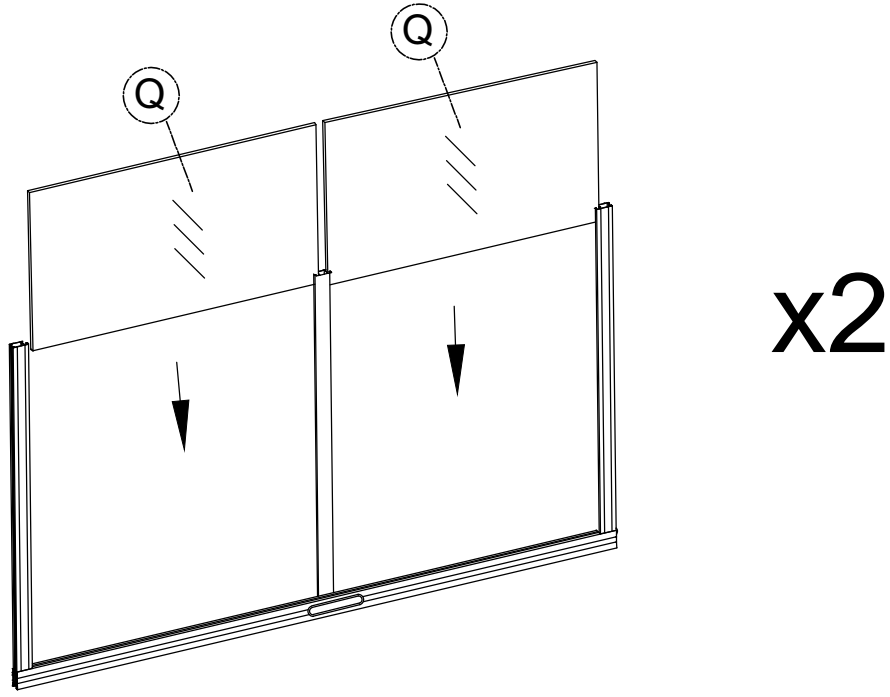


-  (4) x4
-  (T) x2
-  (Rr) x2
-  (S) x2
-  (P) x2
-  (11) x2
-  (12) x2
-  (13) x2
-  (14) x2
-  (Q) x4

<29>



<30>

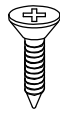
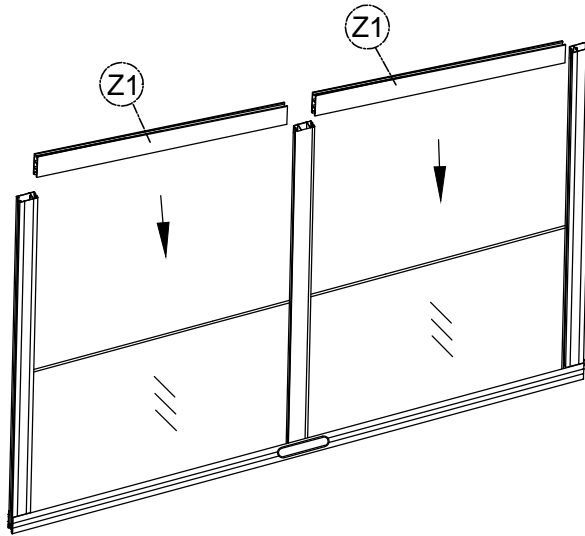




Z1 x4

<31>

x2



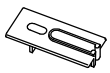
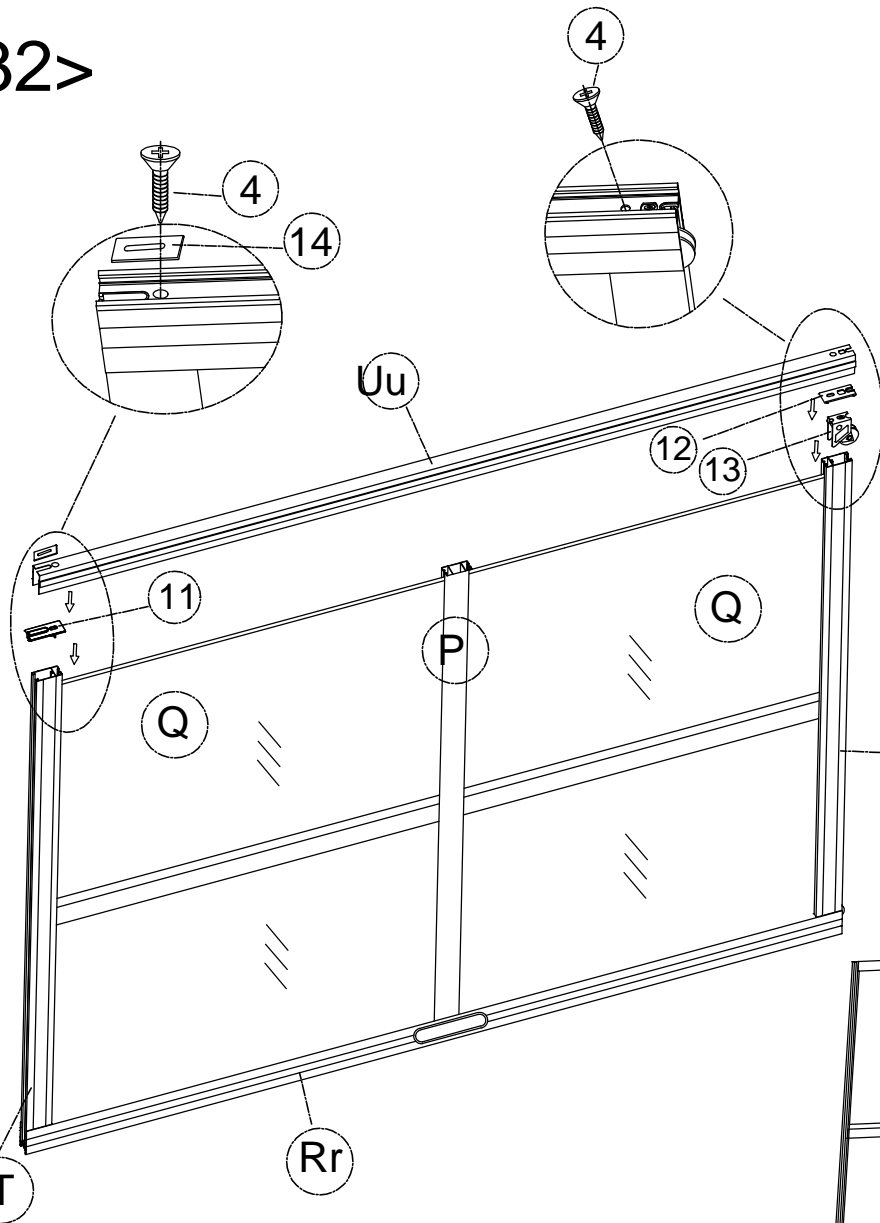
4 x4

<32>

x2



Uu x2



11 x2



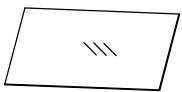
12 x2



13 x2

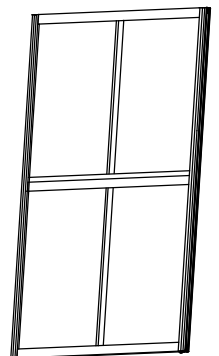


14 x2



Q x4

42

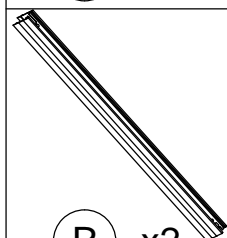




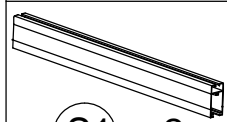
4 x4



T1 x2



R x2



S1 x2



P1 x2



11 x2



12 x2



13 x2



14 x2

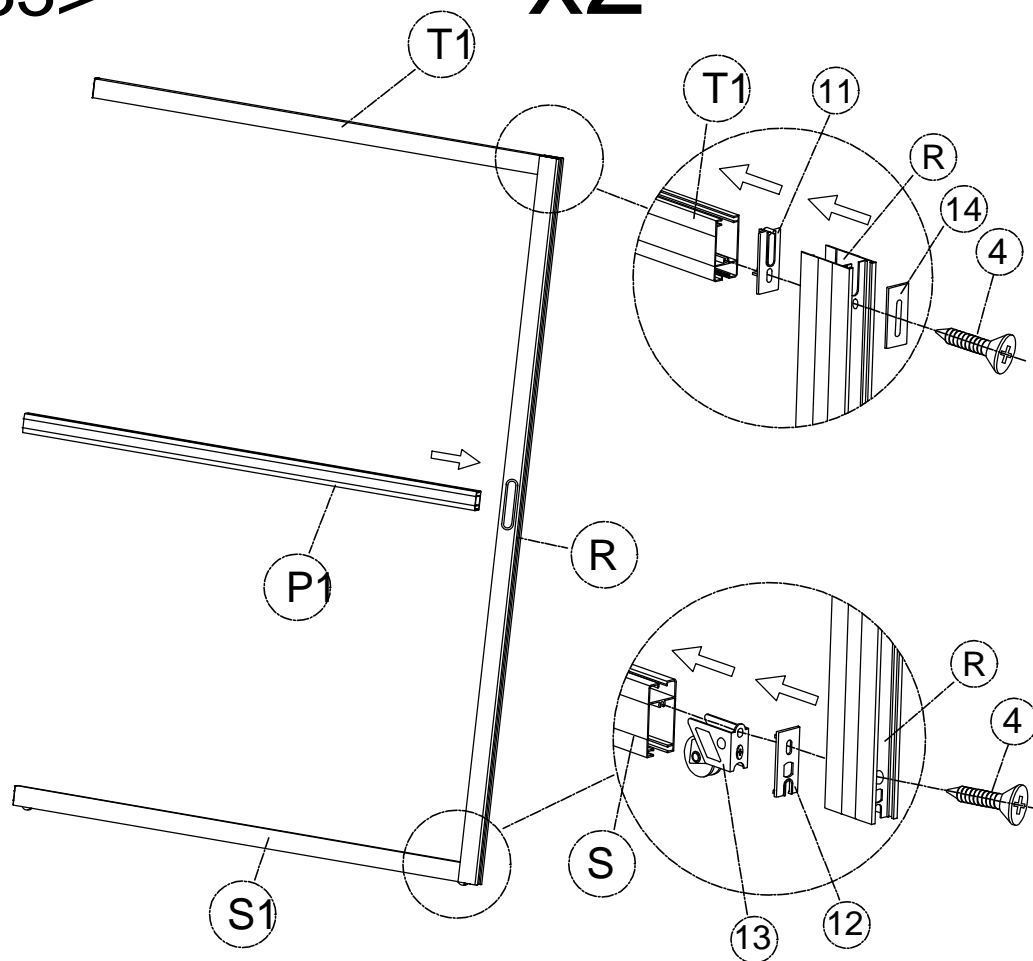


Q1 x4

43

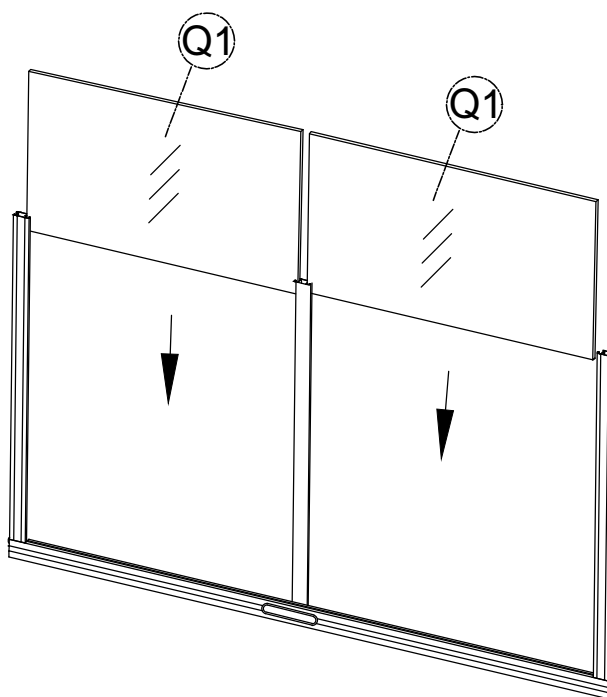
<33>

x2



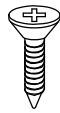
<34>

x2





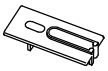
Z1 x4



4 x4



U x2



11 x2



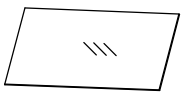
12 x2



13 x2



14 x2

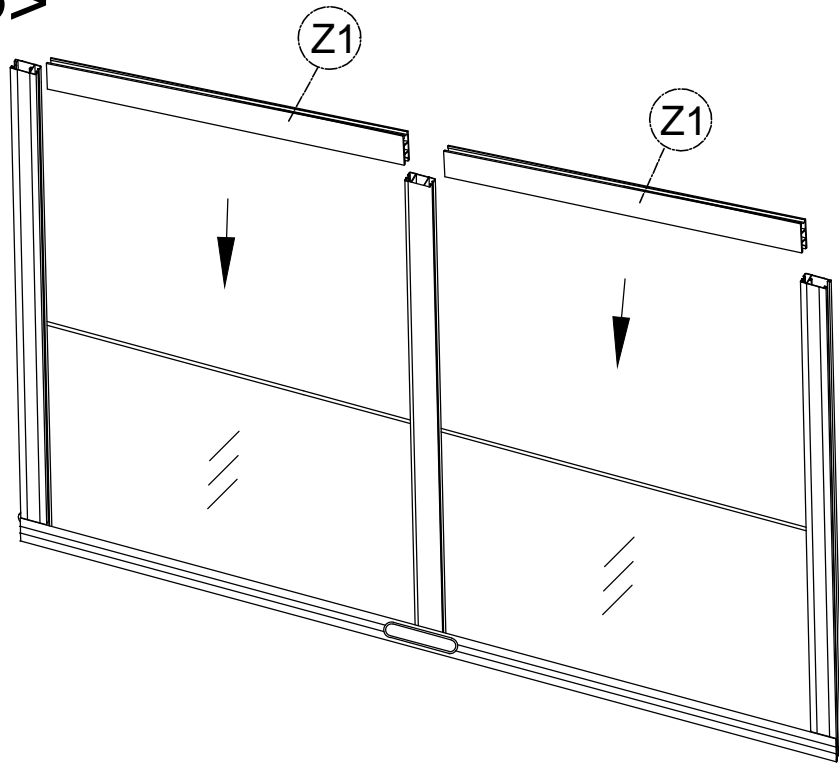


Q1 x4

44

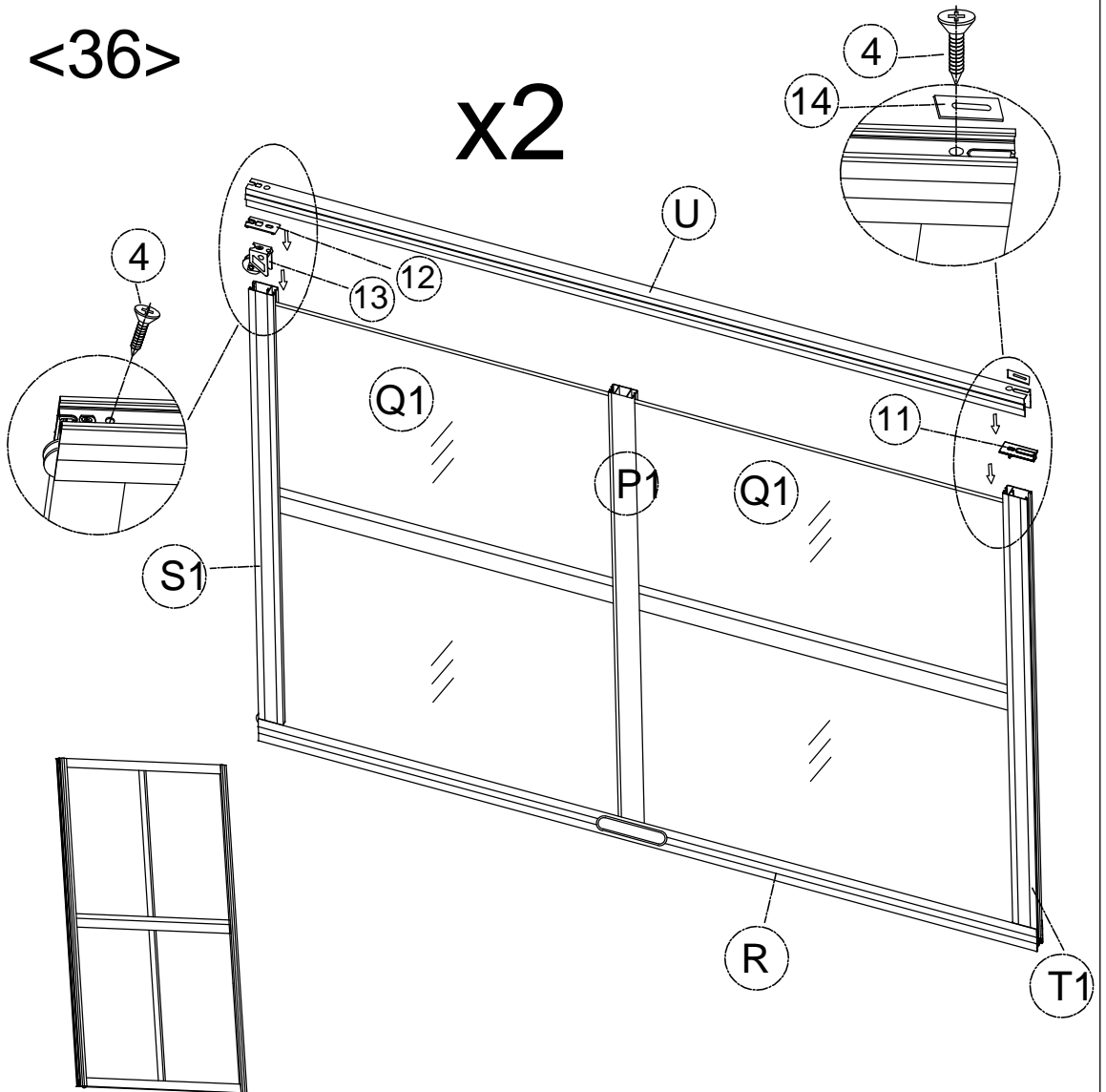
<35>



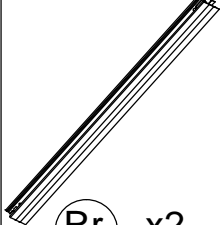
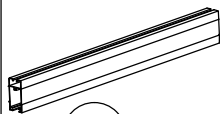

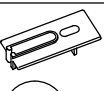
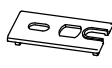



x2



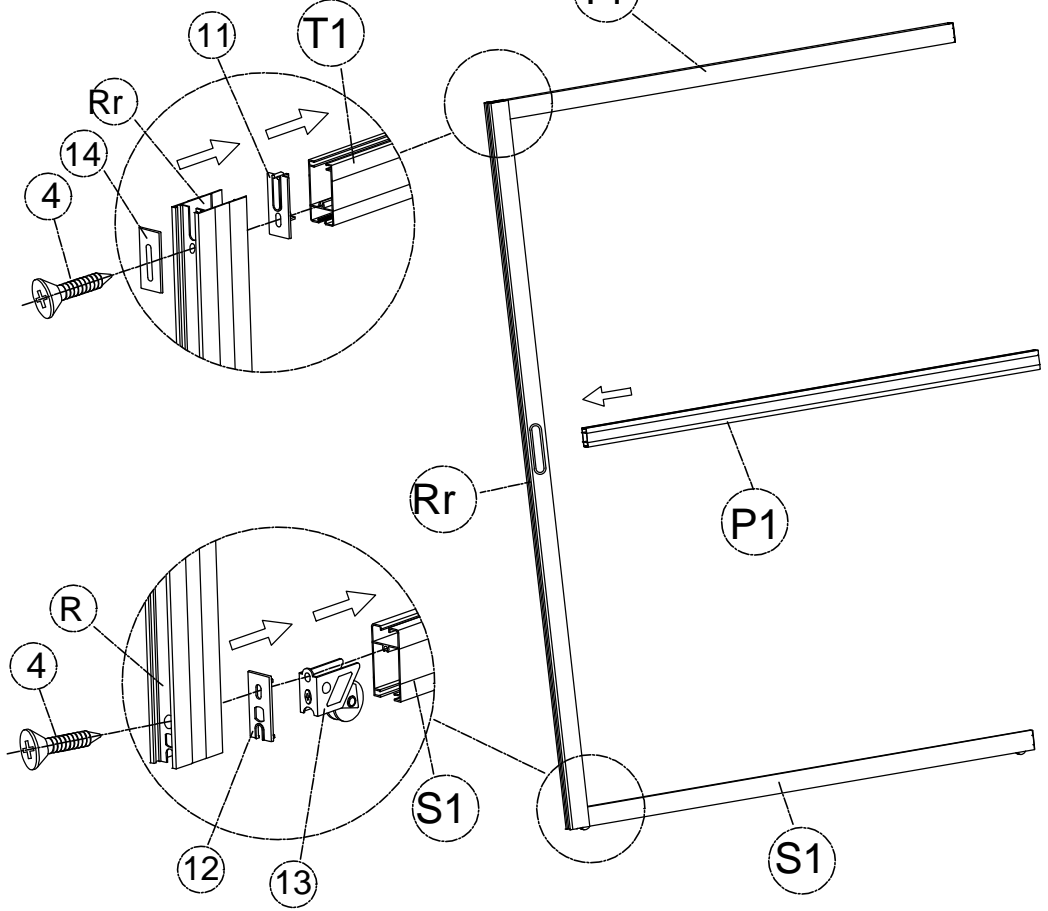
<36>

x2

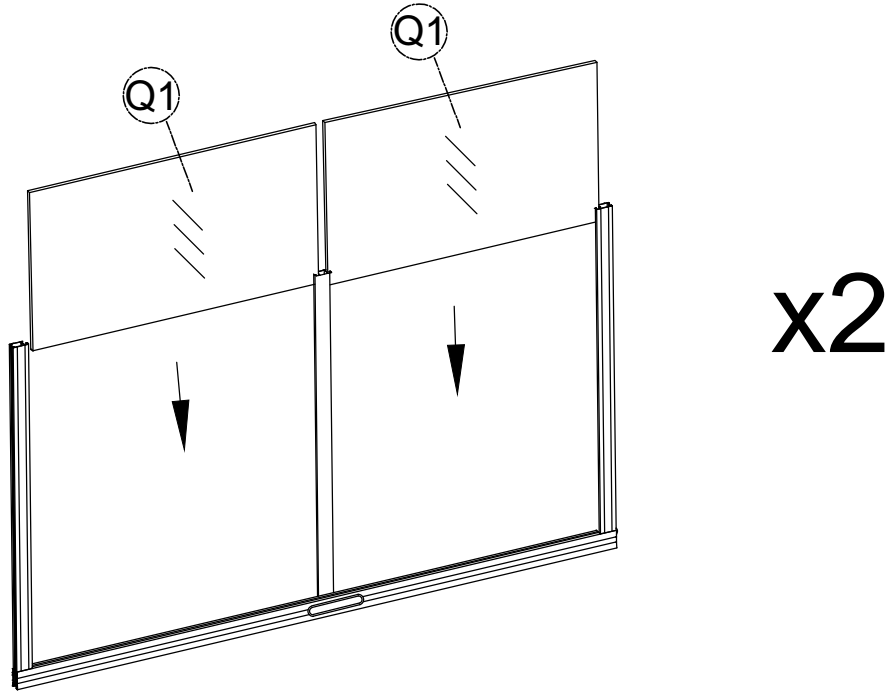


-  (4) x4
-  (T1) x2
-  (Rr) x2
-  (S1) x2
-  (P1) x2
-  (11) x2
-  (12) x2
-  (13) x2
-  (14) x2
-  (Q1) x4
- 45

<37>



<38>

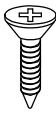
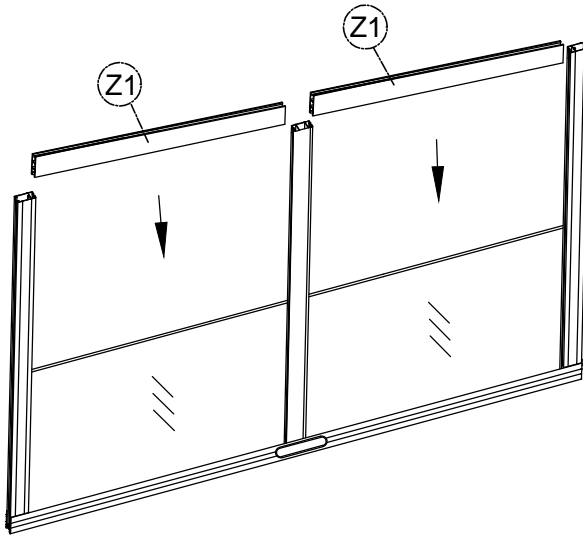




Z1 x4

<39>

x2



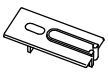
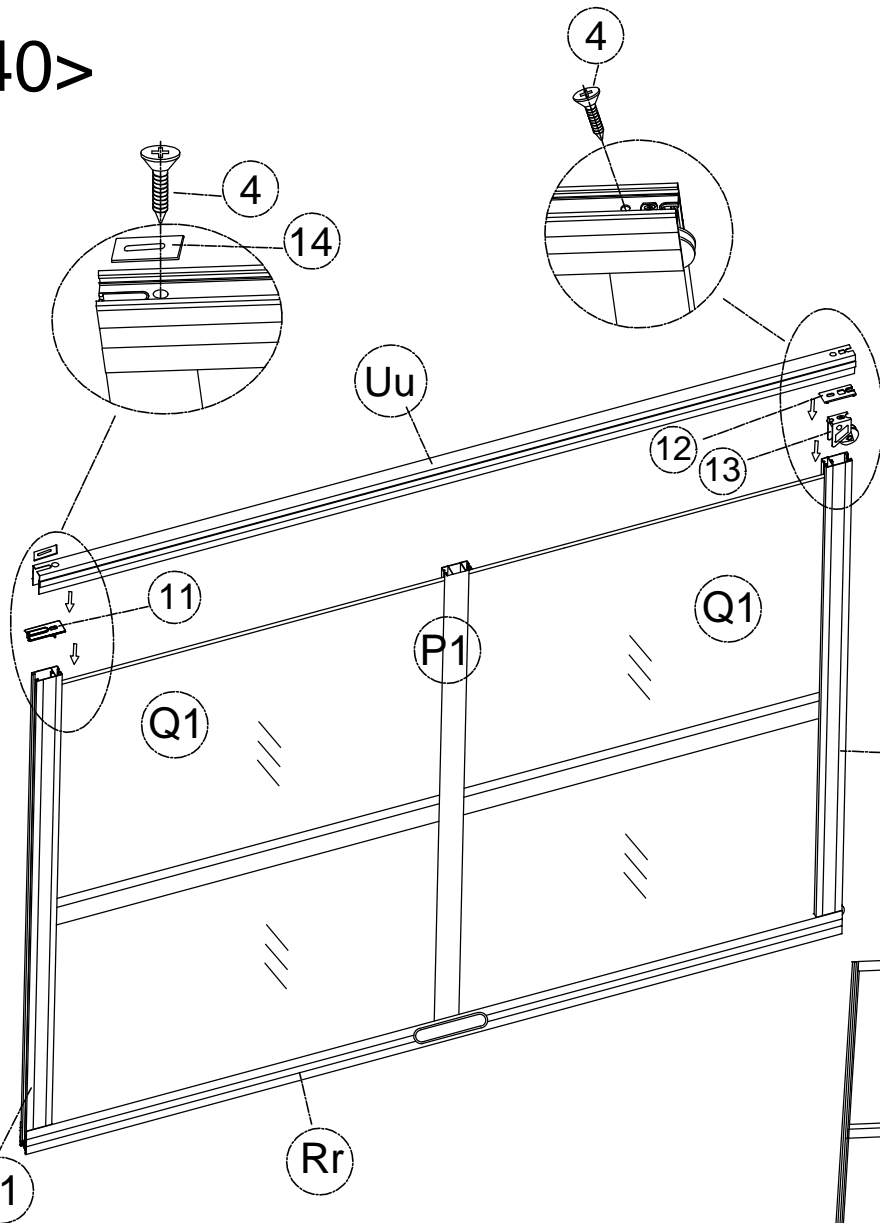
4 x4

<40>

x2



Uu x2



11 x2



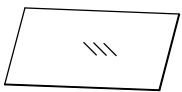
12 x2



13 x2



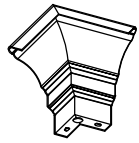
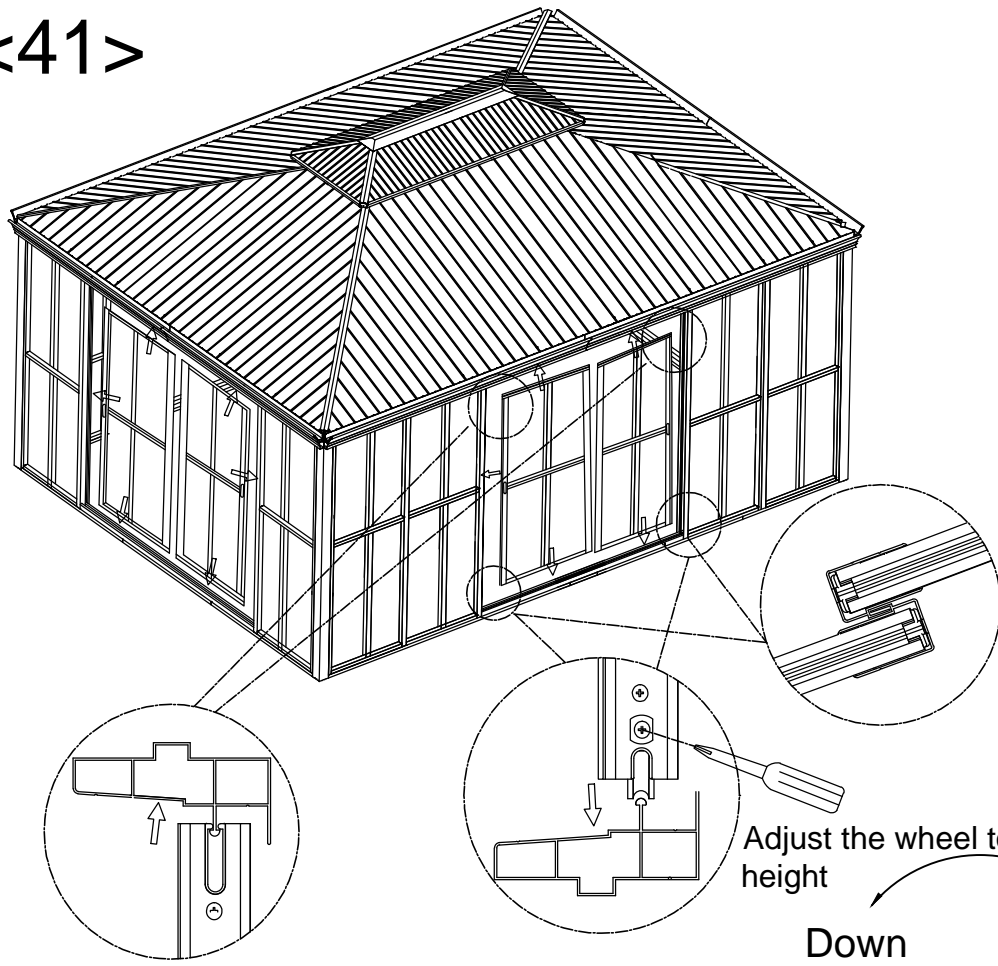
14 x2



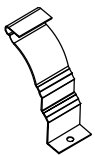
Q x4

46

<41>



V x4



V1 x4



M6x15mm

22 x16

<42>

Release the screw first, adjust the appropriate height of this plate, and then lock the screw to prevent the door from falling off.

