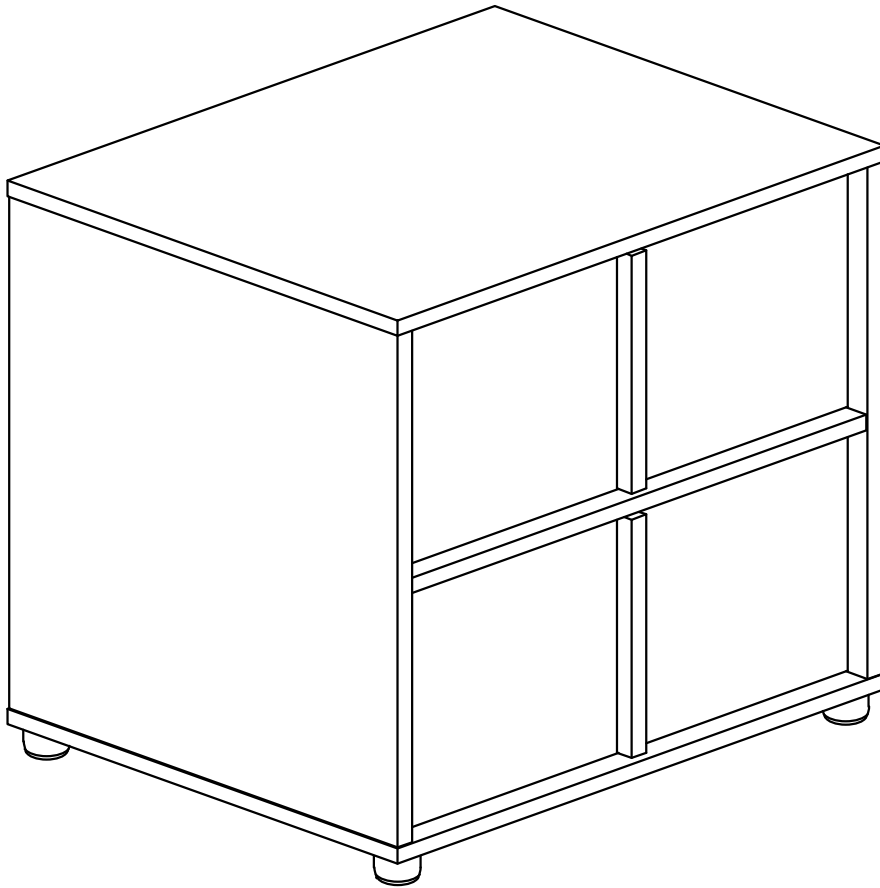


ASSEMBLY INSTRUCTIONS

End Table



60 min. assembly

1 person

*The estimated assembly time may vary depending on the individual.

Hey, there

Now is assembly time!

Deeeeeeep breathe.... and again....
Tools ready,
Easy peasy!

Estimated



60 min. assembly
1 person

Tools Required

- Phillips screwdriver(not included)
- Power Drill (not included)
- Hammer (not included)

important: Cautious when you use power tools

Thank you for purchasing this product. This product has been manufactured with the highest standards of safety and quality.

PLEASE READ ALL INSTRUCTIONS CAREFULLY BEFORE ASSEMBLY.

Unpack all parts from the packaging inside the carton to ensure there are no missing or damaged parts. Lay out all the parts on a clean, flat, and soft surface to prevent scratches. Refer to the steps provided as assembling guide.

Do not attempt to assemble or use the product if any parts are missing or damaged.

REMINDERS

SAFE USAGE IS KEY

Your well-being is our top priority when you use our product. Please prioritize your safety by diligently following the assembly guidelines and inspecting the product carefully both when it arrives and before each use.

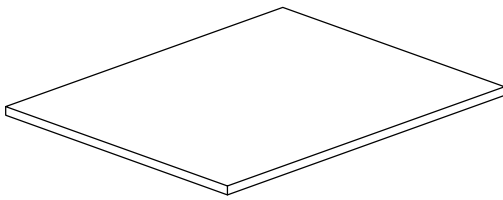
Please be aware that we cannot be held liable for any injuries or fatalities that occur due to not adhering to the provided instructions or misuse of the product.

DO NOT MODIFY

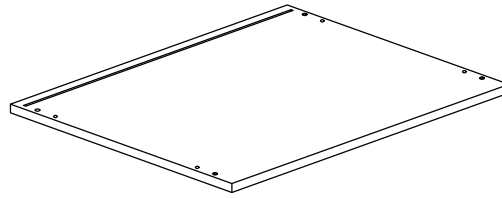
Our products undergo rigorous testing to ensure they meet established safety standards before being released for sale. Altering the product in any way can lead to serious safety concerns, for which we cannot assume responsibility.

What's in the box

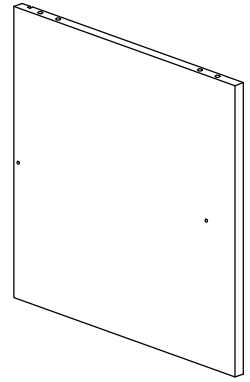
Parts



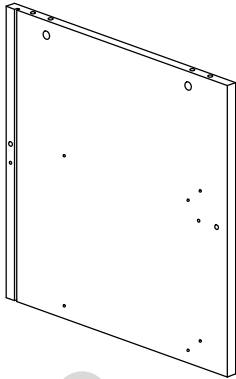
1 X 1
Top Panel



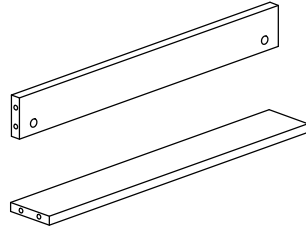
2 X 1
Bottom Panel



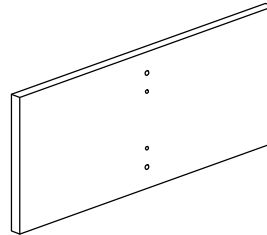
3 X 1
Side Panel-Left



4 X 1
Side Panel-
Right



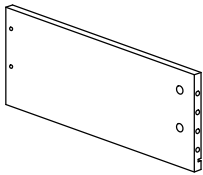
5 X 2
Support Rail-
Front & Back



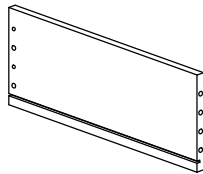
6 X 2
Drawer Front



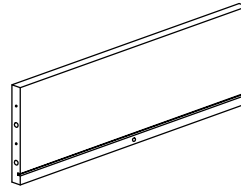
7 X 2
Drawer Handle



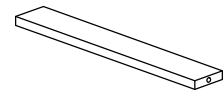
8 X 2
Drawer
Side-Left



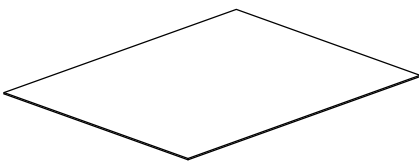
9 X 2
Drawer Side - Right



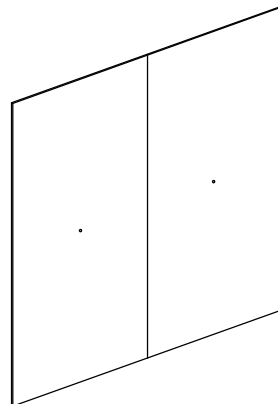
10 X 2
Drawer Back



11 X 2
Drawer Support
Rail



12 X 2
Drawer Base



13 X 1
Back Panel

What's in the box

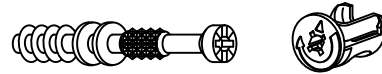
Hardware & Accessory



A X 4
M8 x 20mm
Wood Dowel



B X 28+4
M8 x 25 mm
Wood Dowel



C X 18+3
15mm Minifix
Myfix



D X 14+2
M3.5 x 12mm
Screw



E X 18+3
M3.5 x 16 mm
Screw



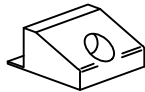
F X 4
M4 x 28mm
Screw



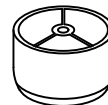
G X 4
M4 x 32 mm
Screw



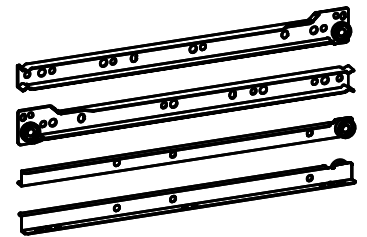
H X 14+2
M4 x 45mm
Screw



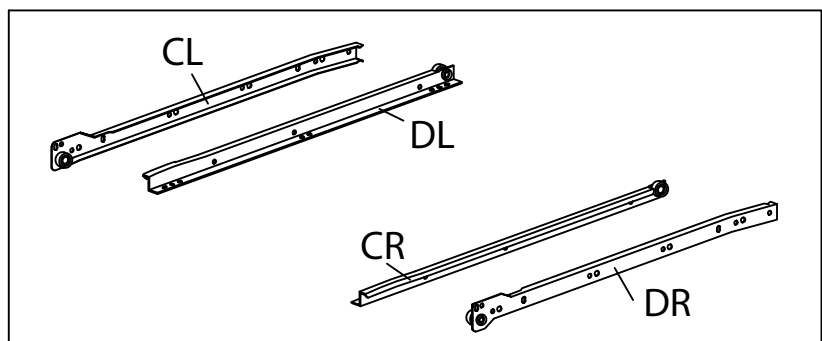
I X 6+1
Pyramid Angle
Corner Block



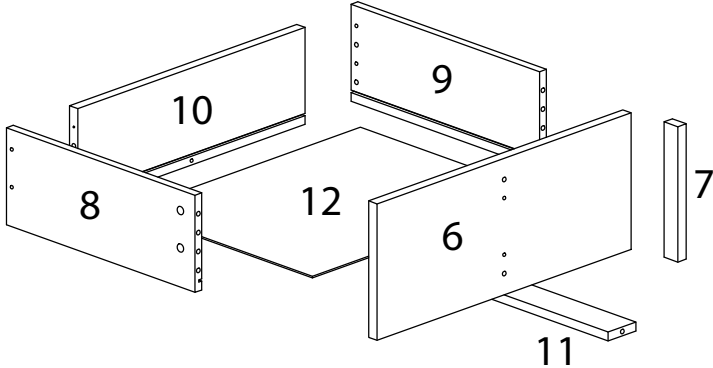
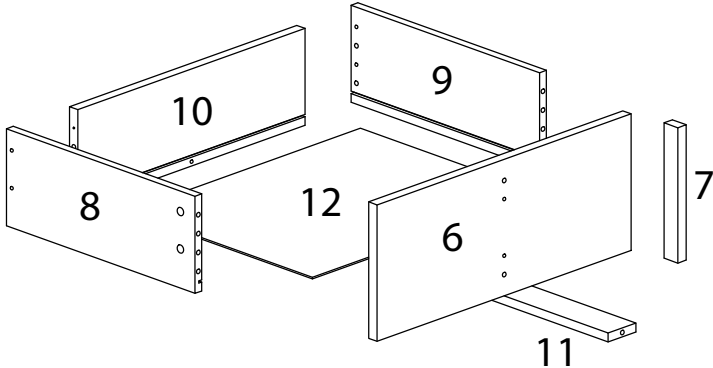
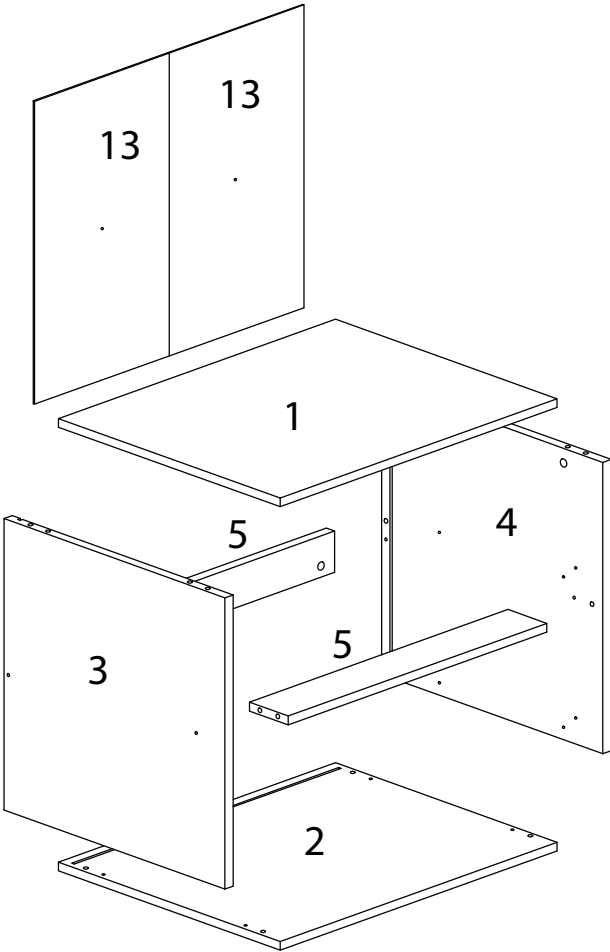
J X 4
25/25 Sofa Leg



K X 2sets
Drawer Slide
300mm

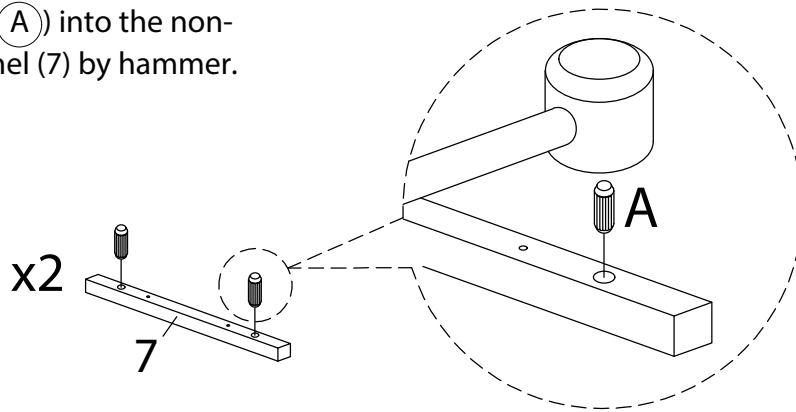


Assembly



Step 1

Insert Wood dowel (A) into the non-thru holes of the panel (7) by hammer. Knock it in gently.



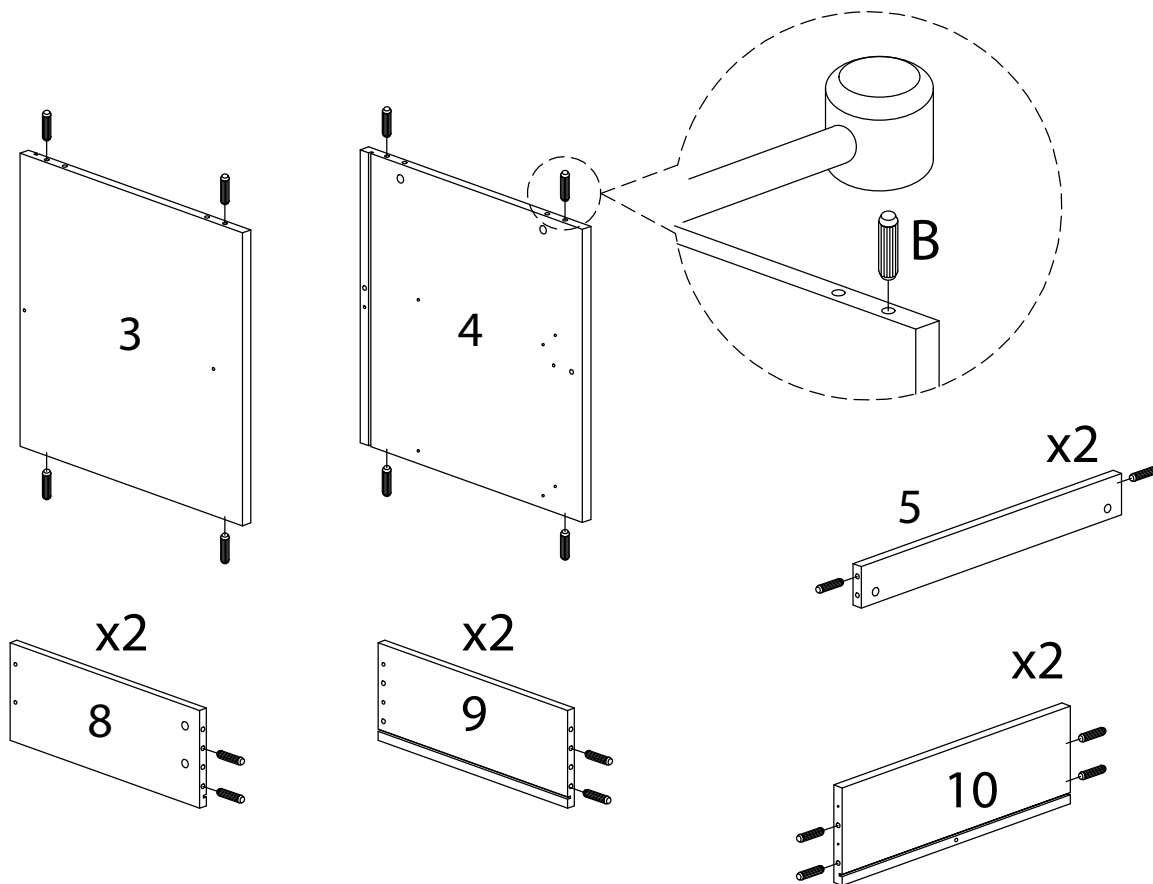
(A) x 4



M8x20mm
Wood Dowel

Step 2

Insert Wood dowel (B) into the non-thru holes of the panel (3, 4, 5, 8, 9 & 10) by hammer. Knock it in gently.






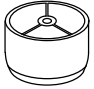
(B) x 28

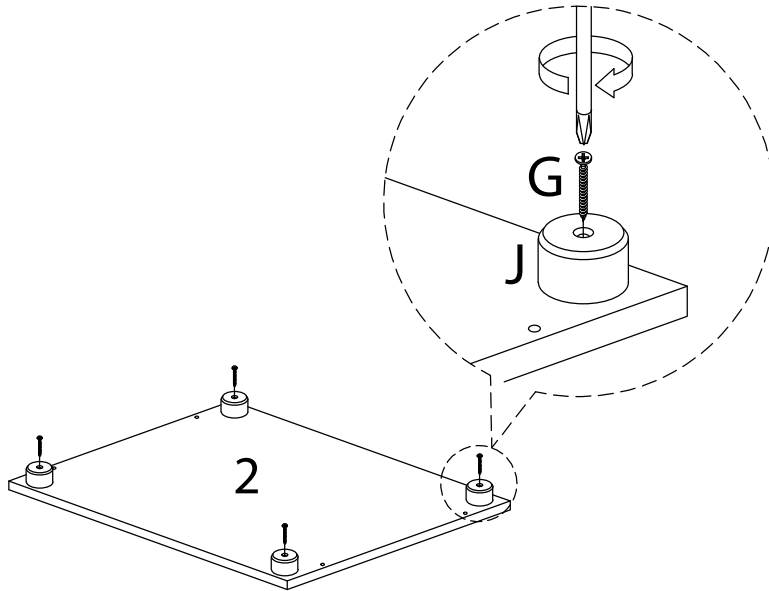


M8x25mm
Wood Dowel

Step 3

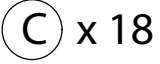

Install leg (J) onto the base of panel (2) by using screw (G). Fully tighten with screw driver. (As shown).

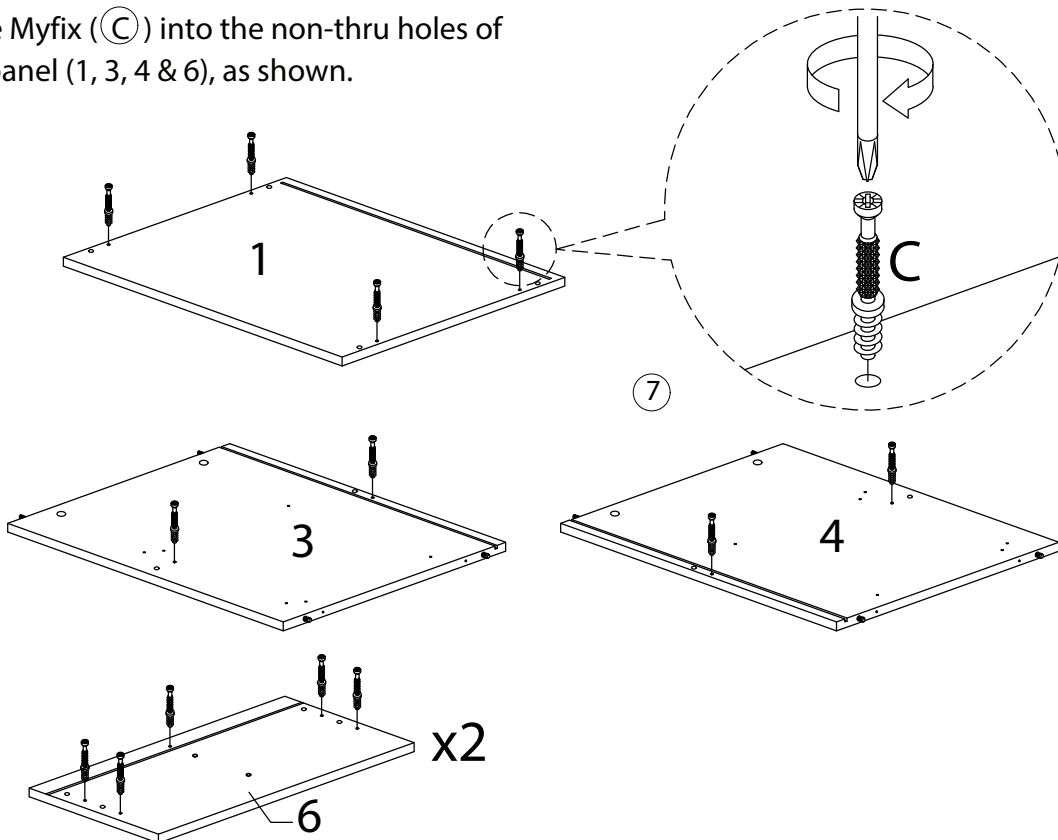
 x 4	 x 4
 M4x32mm Screw	 25/25 Sofa Leg



Step 4

Place Myfix (C) into the non-thru holes of the panel (1, 3, 4 & 6), as shown.


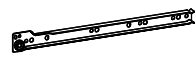
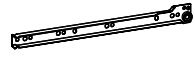
 x 18
 Myfix

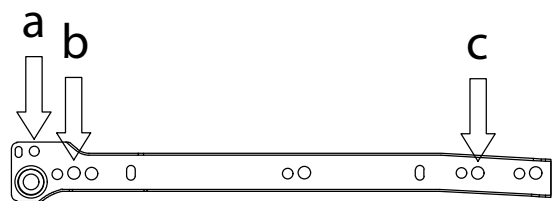
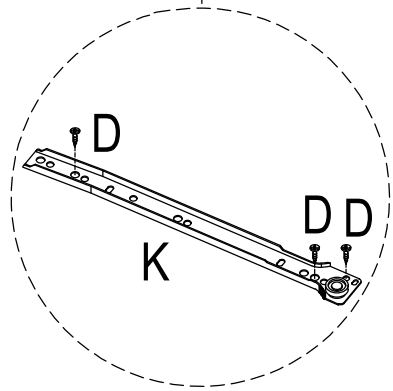
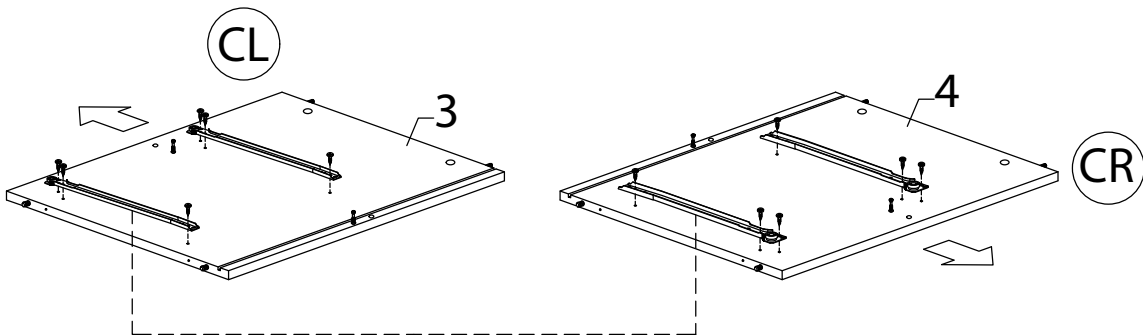


Step 5

Install CL on part (3) and CR on part (4) strictly following the detail sketch.

Note : Please fine the steel seal of CL, CR on rails.

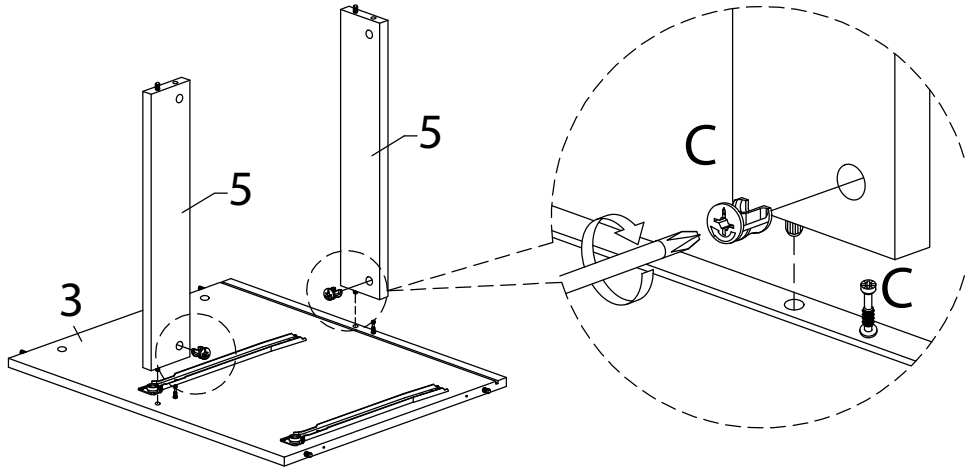
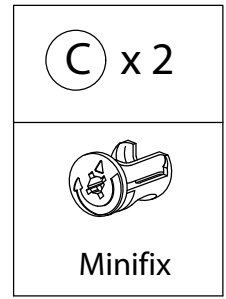
ⓓ x 12	Ⓚ x 2	Ⓚ x 2
		
M3.5x12mm Screw	Drawer Slide CL	Drawer Slide CR



- # Screw in hole a, b and c
- # CL for panel ③
- # CR for panel ④
- # Find the steel seal of CL, CR, DL, DR on rail

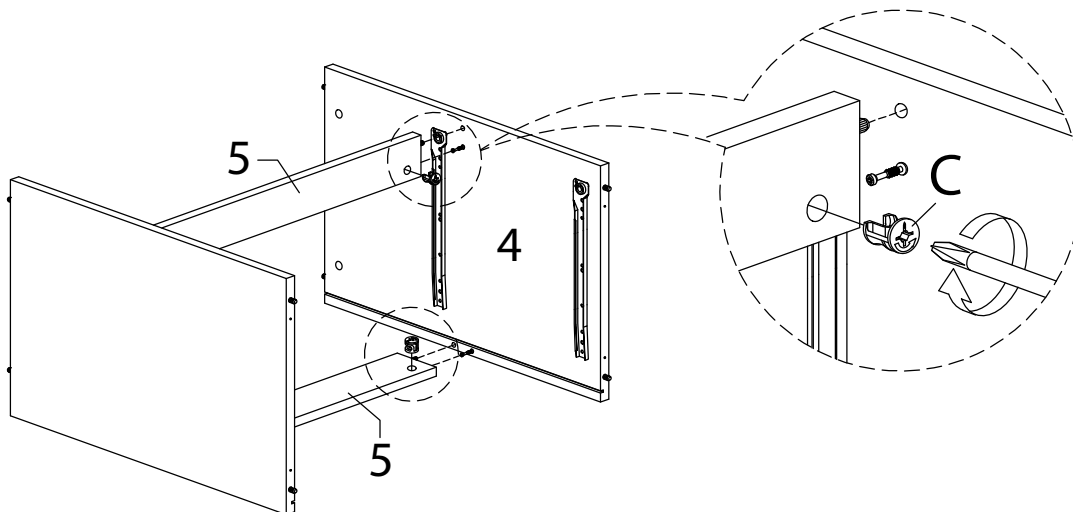
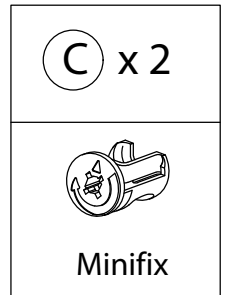
Step 6

Attach panel (5) onto panel (3). Insert hardware (C) & tighten clockwise to lock hardware (C), as shown.



Step 7

Attach panel (4) onto panels (5). Insert hardware (C) & tighten clockwise to lock hardware (C), as shown.



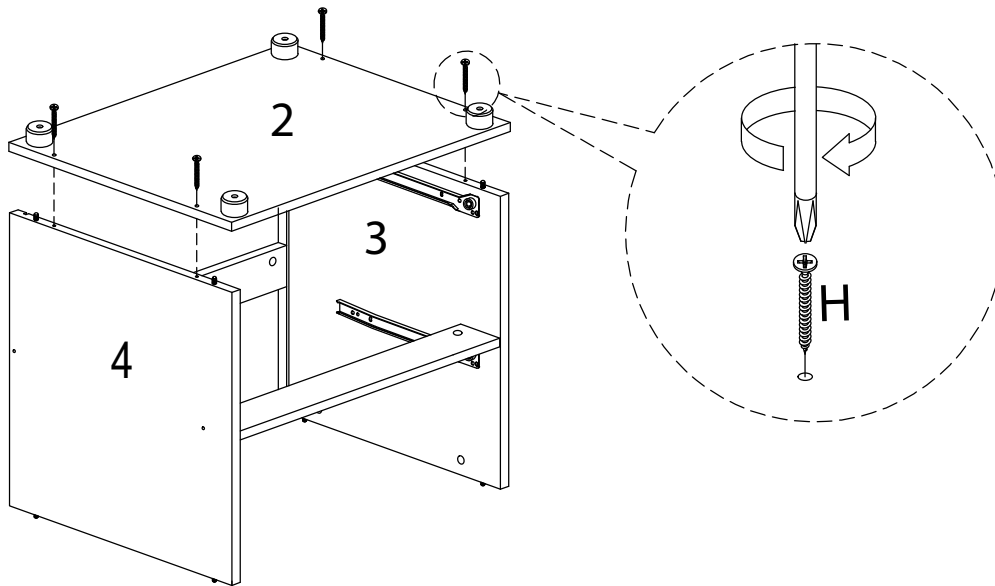
Step 8

Turn the drawer upside down. Attach panel (2) onto panel (3) & (4) by using screw (H) to fix them. Fully tighten with screw driver. (As shown).

(H) x 4

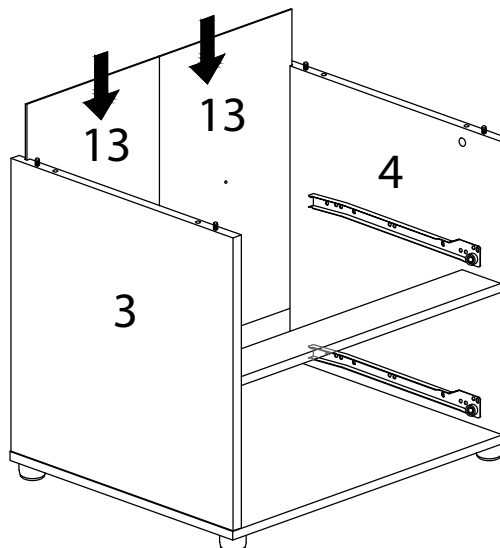


M4x45mm
Screw



Step 9

Slot in 2pcs panel (13) into groove of panel (3) & (4), as shown.



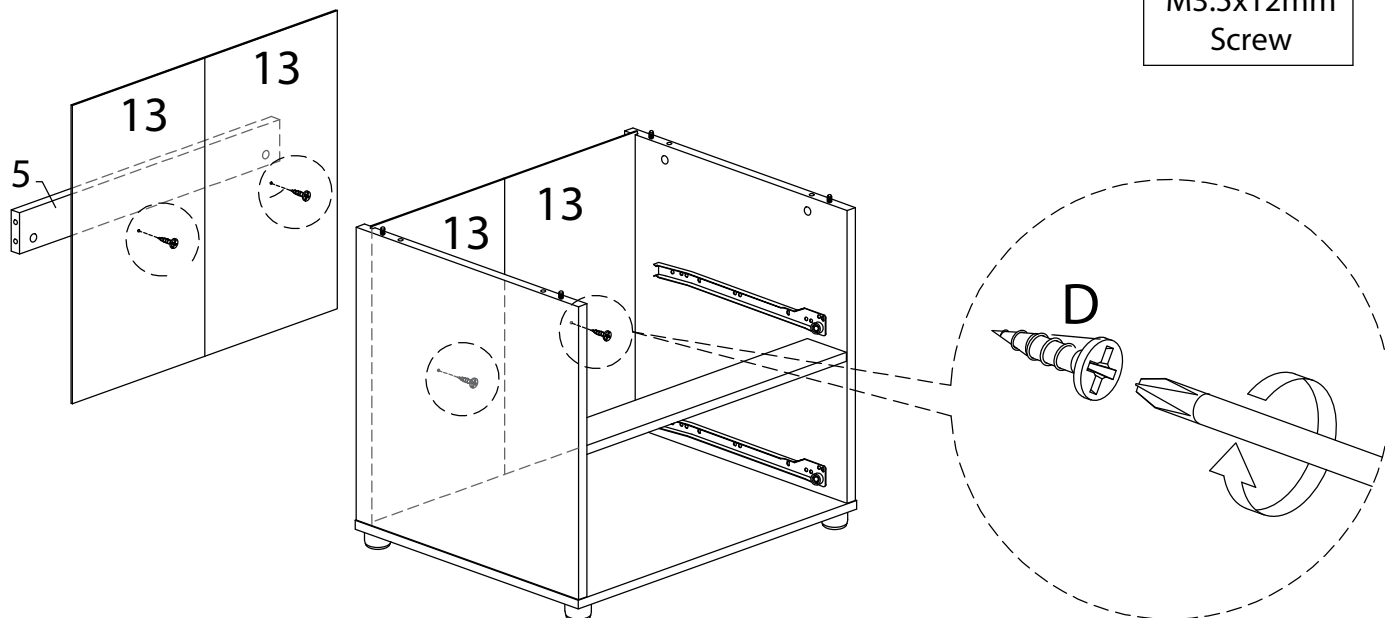
Step 10

Fasten screw (D) between panel (13) & (5), as shown).

(D) x 2



M3.5x12mm
Screw



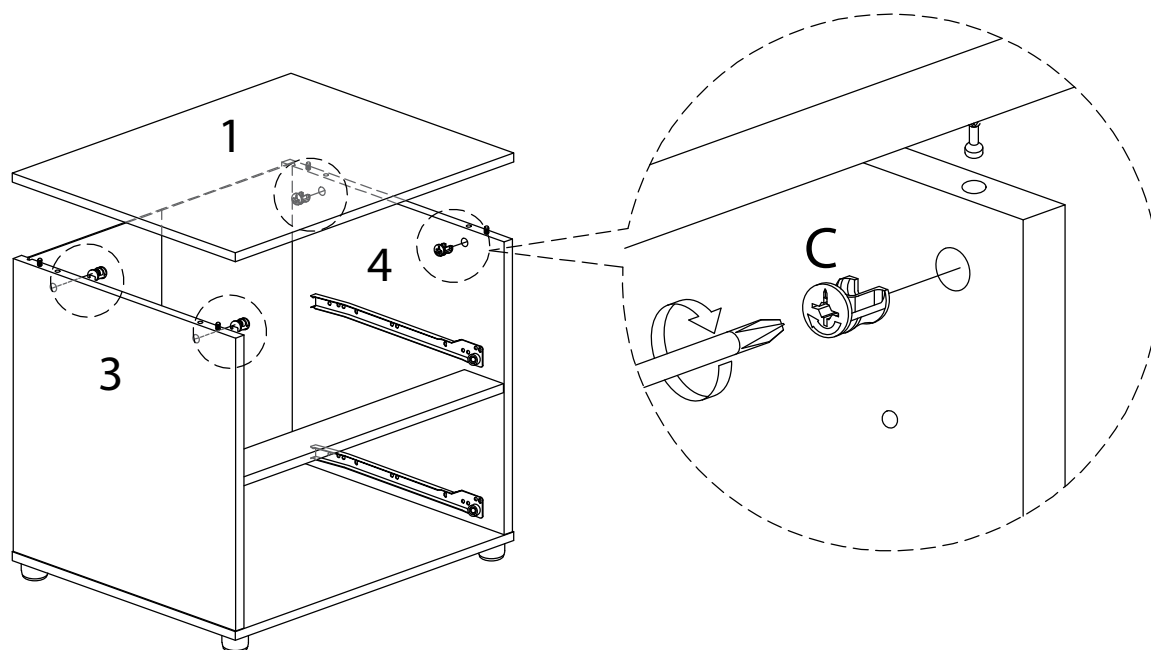
Step 11

Attach panel (1) onto panel (3) & (4). Insert hardware (C) into predrilled holes of panel (3) & (4). Then tighten them clockwise in order to lock hardware (C), as shown.

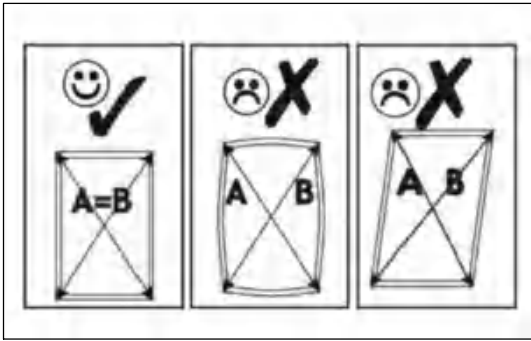
(C) x 4







Minifix

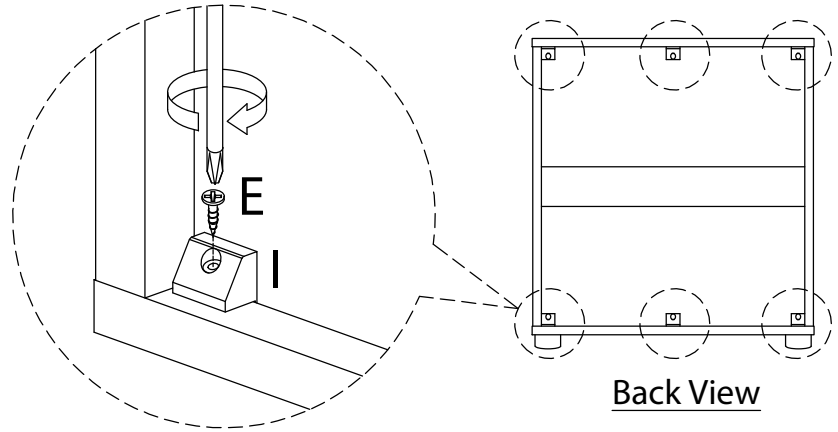


Step 12





ATTENTION PLEASE :Please ensure the structure is straight and level and all panels are at right angles before installing the back buckles, **MUST** install back buckles to strengthen product stability.

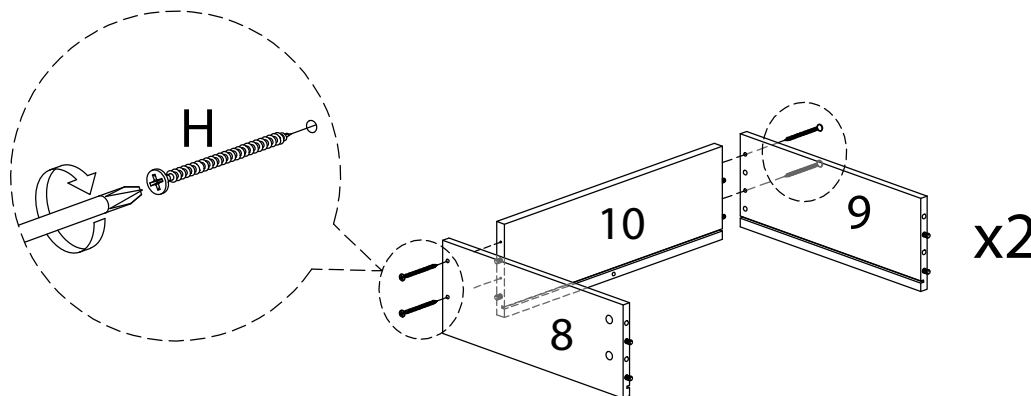
 E x 6	 I x 6
 M3.5x16mm Screw	 Pyramid Angle Corner Block



Step 13

Assemble panel (8) & (9) onto panel (10) by slightly hammering the wood dowels. Insert screw (**H**) to fix them. Fully tighten by using screw driver. (As shown).

 H x 8
 M4x45mm Screw



Step 14

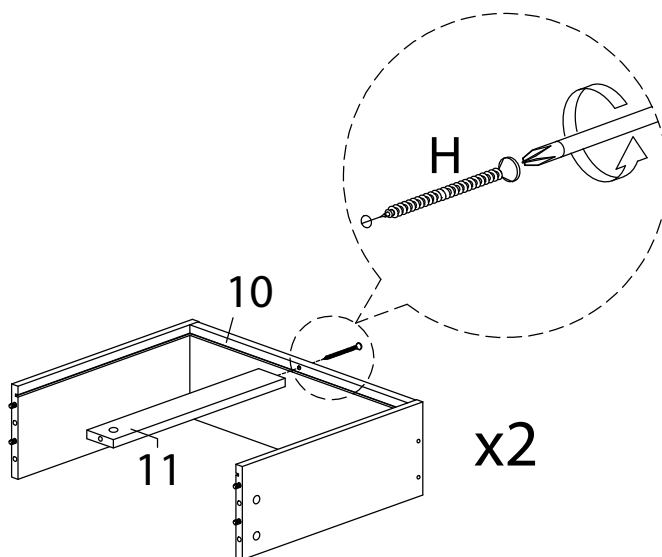
Assemble panel (11) onto panel (10).

Insert screw (H) to panel (10) & fully tighten by using a screw driver. (As shown).

(H) x 2

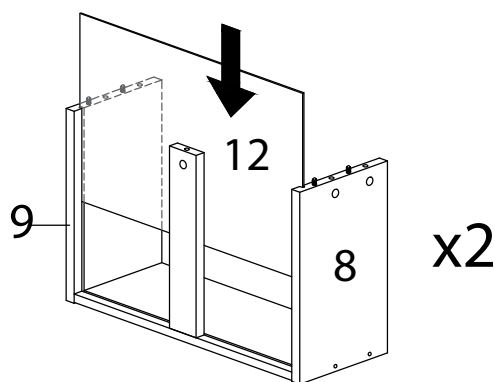


M4x45mm
Screw



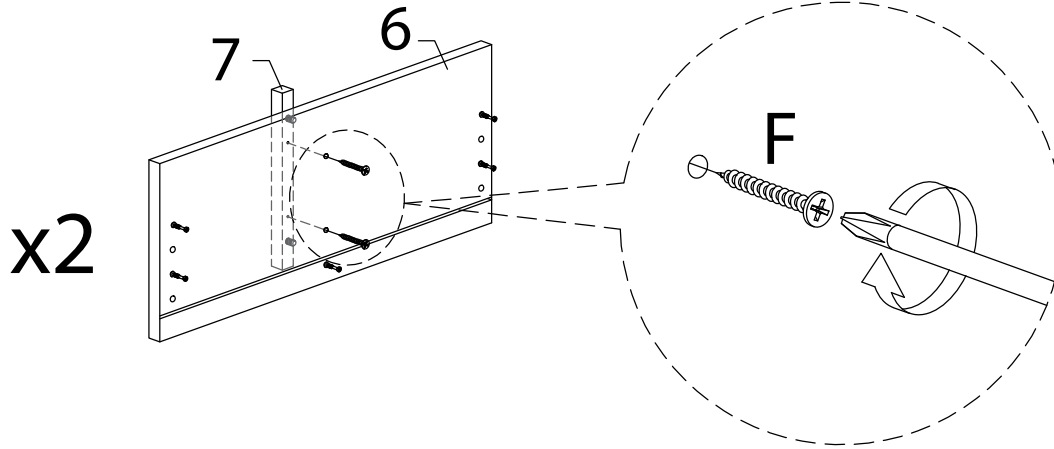
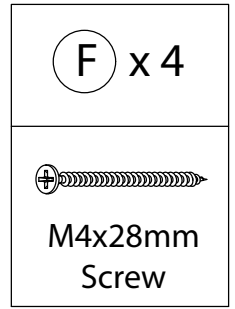
Step 15

Slot in panel (12) into groove of panel (8) & (9), as shown.



Step 16

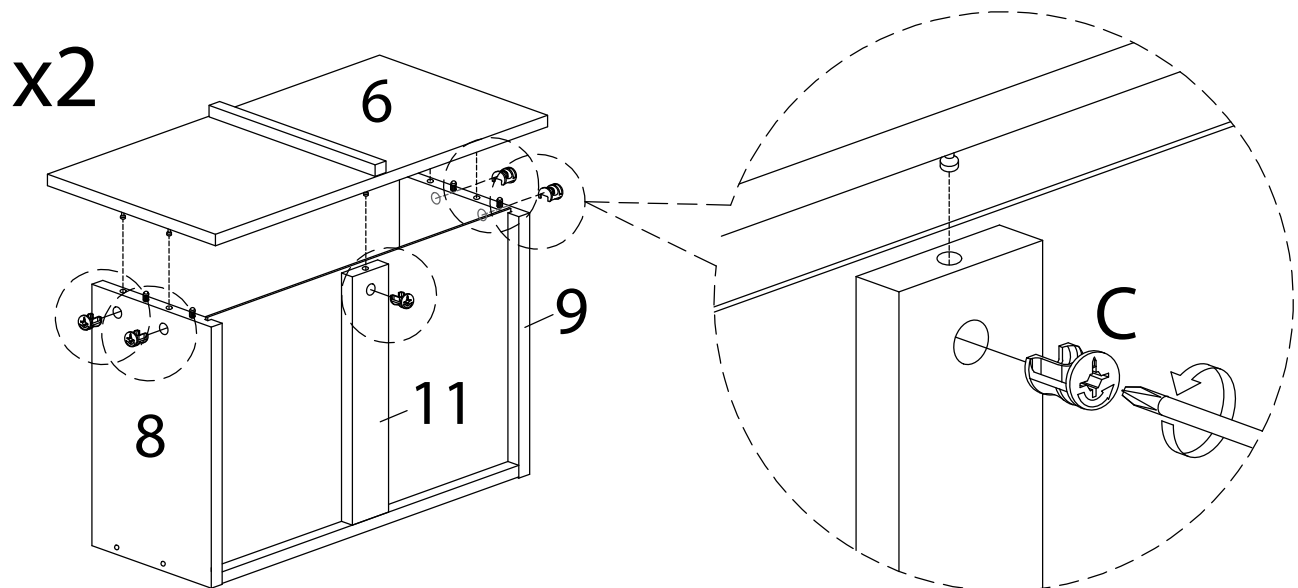
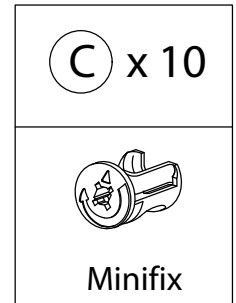
Attach panel (7) onto panel (6). Insert screw (F) to fix them. Fully tighten by screw driver. (As Shown).



Step 17

Attach panel (6) onto panel (8, 9 & 11) by slightly hammering the wood dowels.


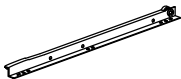

Insert the hardware (C) and then tighten them clockwise in order to lock hardware (C), as shown.

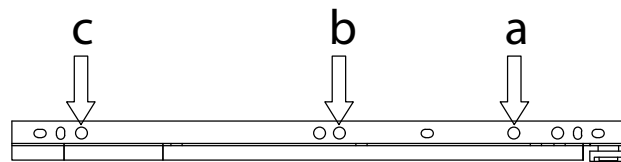
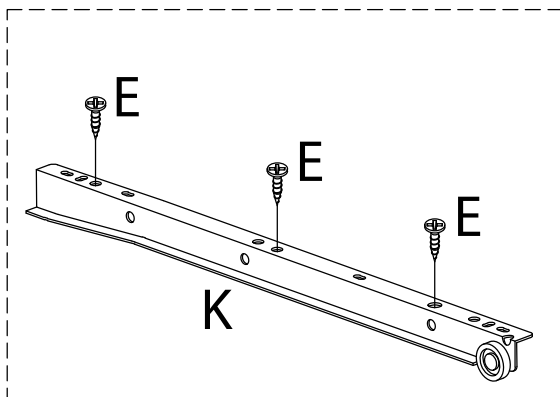


Step 18

Install DL on panel (8) and DR on panel (9) strictly following the holes as shown on detailed picture.

Note : Please find the steel seal of CL, CR, DL, DR on rails.

(E) x 12	(K) x 2	(K) x 2
		
M3.5x16mm Screw	Drawer Slide DL	Drawer Slide DR

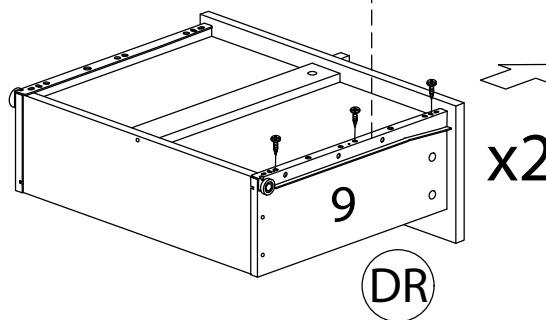
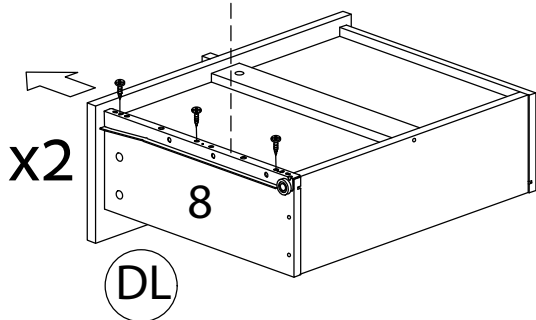


Screw in hole a, b and c

DL for panel (8)

DR for panel (9)

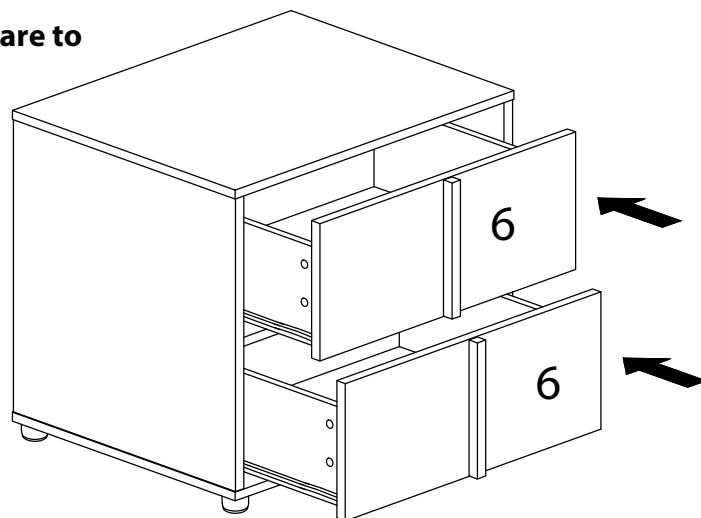
Find steel seal of CR, CL, DR, DL on rails



Step 19

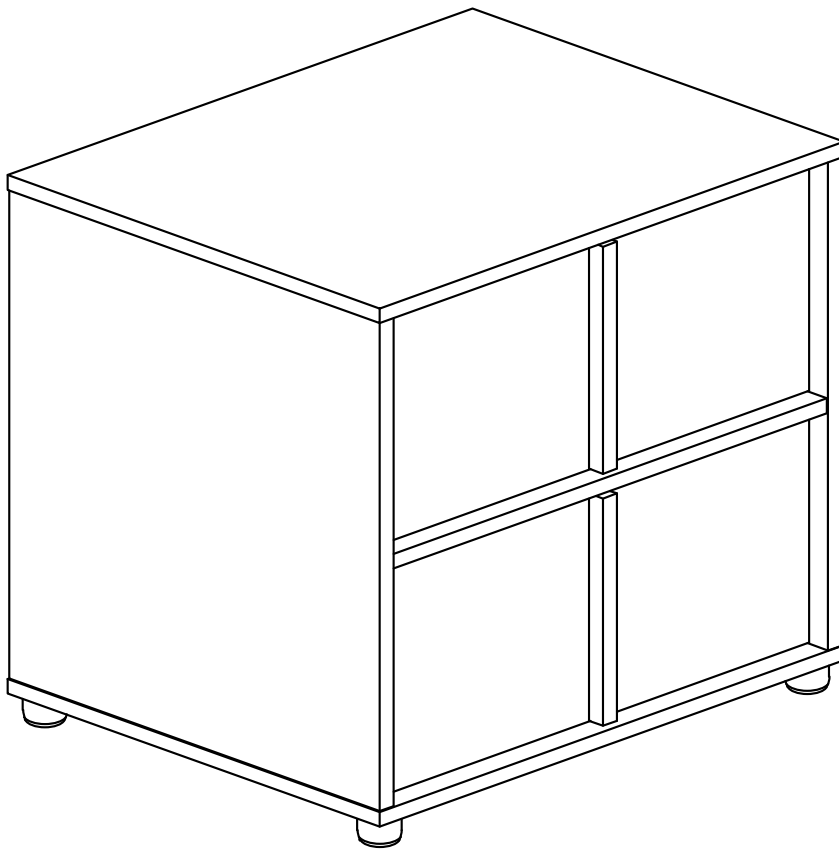
Take the drawer, and slide in.

The white rollers at drawer slide at both side of drawers are to go into the track of the slide at each side panel.



VOILA!

Now enjoy.



Warning

DO NOT stand or sit on the table as this may damage the product and cause serious bodily injury.

Something not right?

We are always here to help.

We make mistakes like every human does.

Though we always strive to provide the best possible products at competitive prices and the best service in the industry, it's not possible to completely eliminate mistakes. If you experience any dissatisfaction, feel free to contact us immediately. Our in-house customer care team will respond ASAP.

Things to do to expedite the process

- Have your order# ready
- Take photos/videos to help us better identify the issues
- DO NOT throw away the packaging