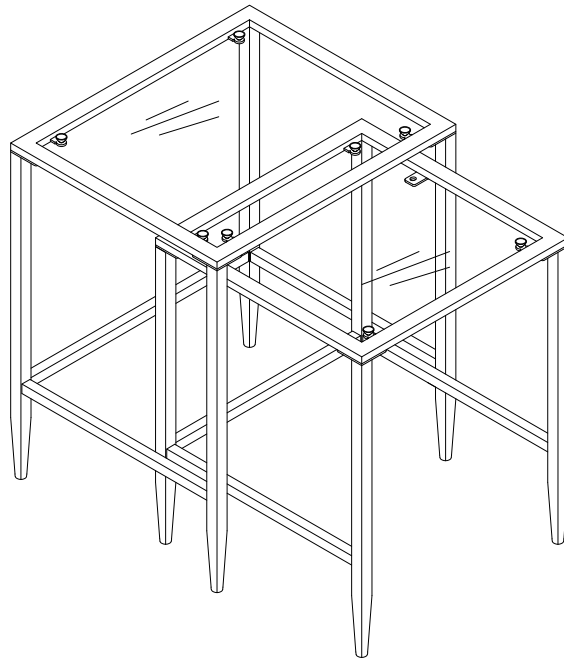
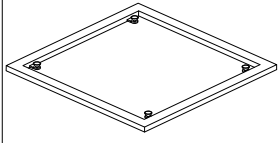
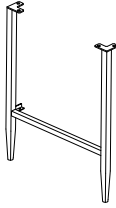
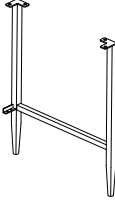
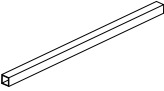
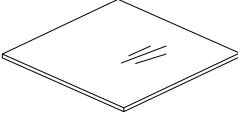


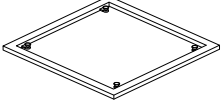
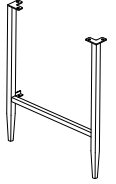
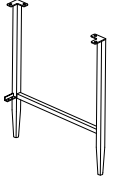
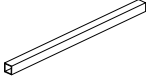
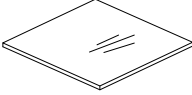
# Nesting Table



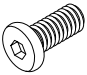

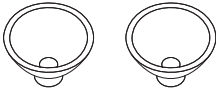
# LARGE TABLE PART LIST

<p><b>A</b></p> 	<p><b>BL</b></p> 	<p><b>BR</b></p> 	<p><b>C</b></p> 	<p><b>D</b></p> 
<p>Top Frame 1 PC</p>	<p>Left Panel 1 PC</p>	<p>Right Panel 1 PC</p>	<p>Cross Bar 1 PC</p>	<p>Top Glass 1 PC</p>

# SMALL TABLE PART LIST

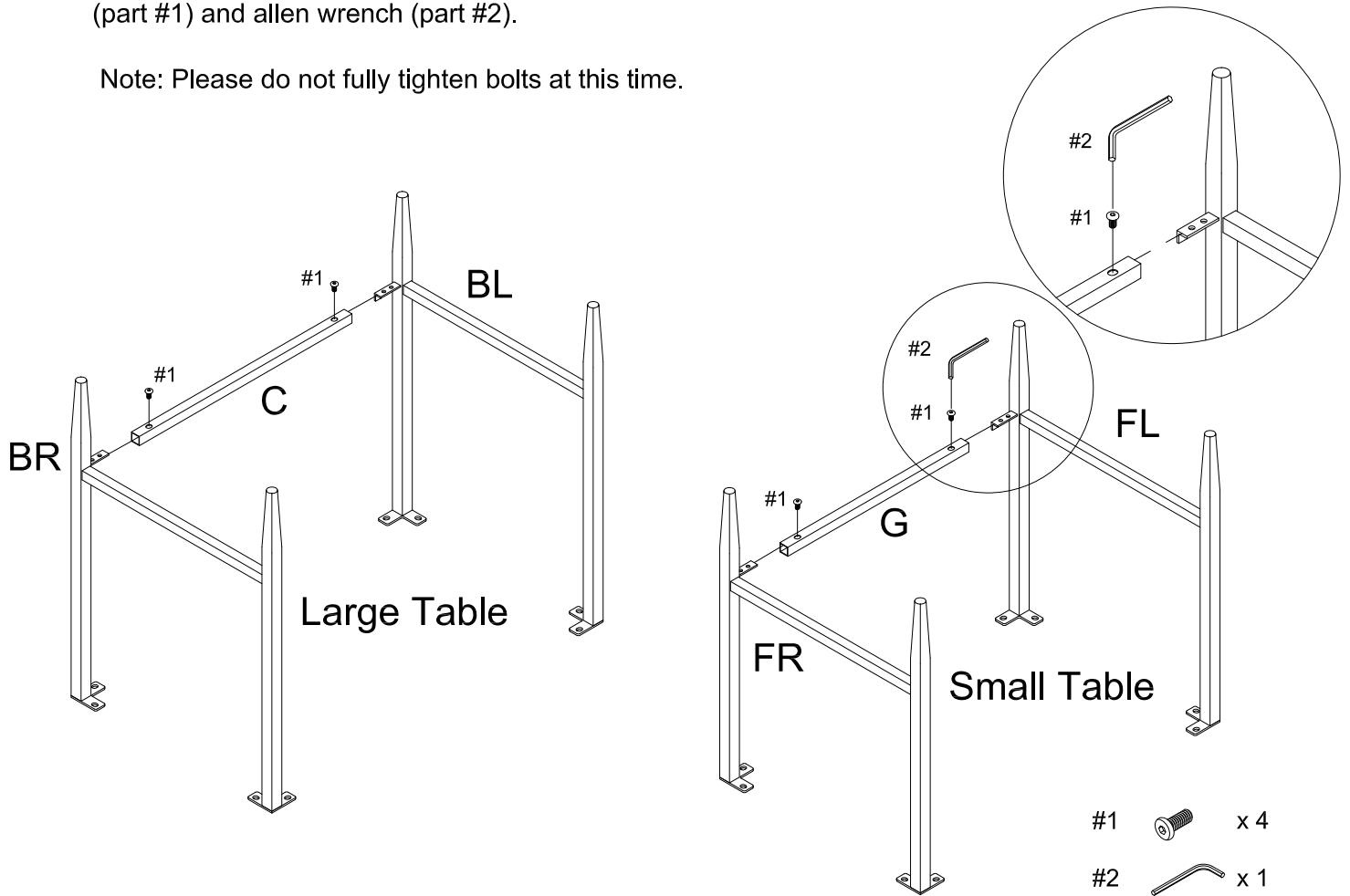
<p><b>E</b></p> 	<p><b>FL</b></p> 	<p><b>FR</b></p> 	<p><b>G</b></p> 	<p><b>H</b></p> 
<p>Small Top Frame 1 PC</p>	<p>Small Left Panel 1 PC</p>	<p>Small Right Panel 1 PC</p>	<p>Small Cross Bar 1 PC</p>	<p>Small Top Glass 1 PC</p>

# HARDWARE LIST

<p><b>#1</b></p>  <p>1/4" x 1/2"L</p>	<p><b>#2</b></p> 	<p><b>#3</b></p> 
<p>Bolt 20 PCS (Extra 1)</p>	<p>Allen Wrench 1 PC</p>	<p>Suction Cup Extra 2 PCS</p>

Step 1. Insert cross bar (part C) into left panel (part BL) and right panel (part BR) and insert small cross bar (part G) into small left panel (part FL) and small right panel (part FR) using bolts (part #1) and allen wrench (part #2).

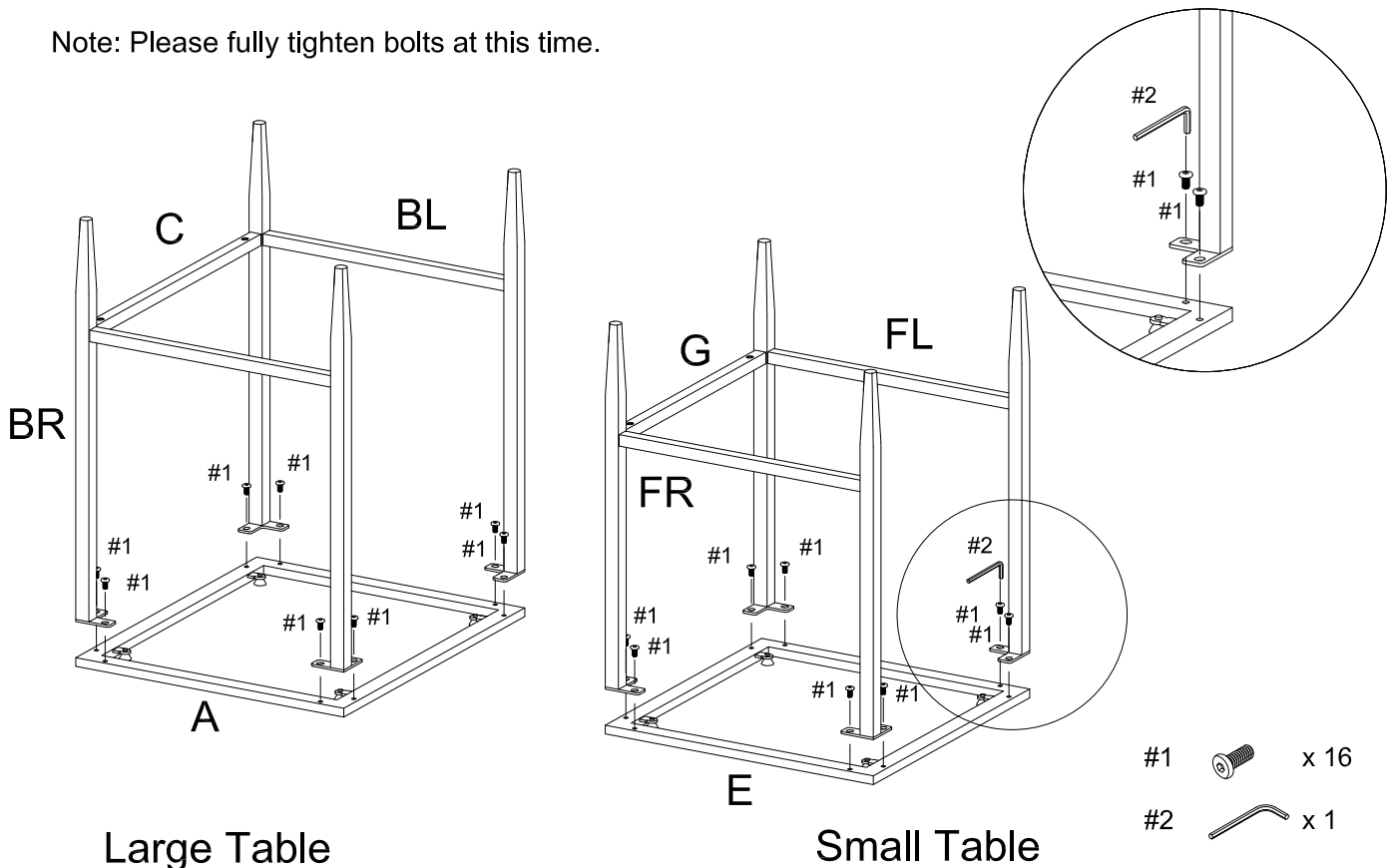
Note: Please do not fully tighten bolts at this time.



- #1  x 4
- #2  x 1

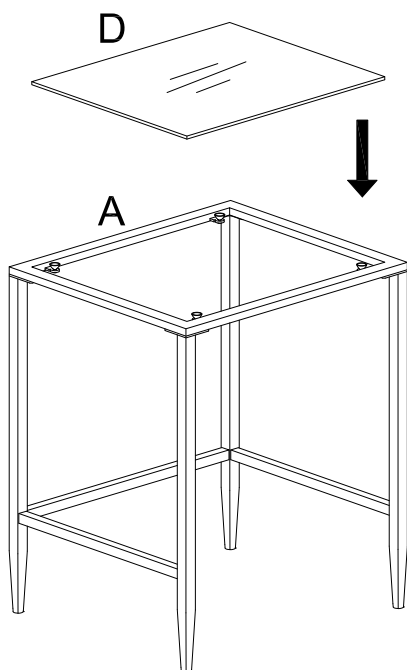
Step 2. Lay top frame (part A) and small top frame (part E) upside down on a flat, soft surface, such as carpet. Attach assembled unit (parts BL & BR & C) to top frame (part A) and assembled small unit (parts FL & FR & G) to small top frame (part E) using bolts (part #1) and allen wrench (part #2).

Note: Please fully tighten bolts at this time.

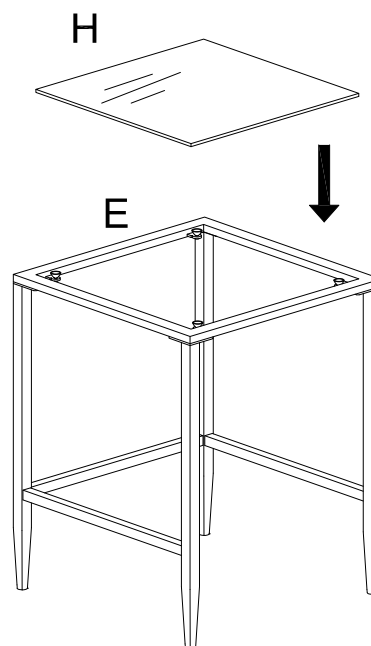


- #1  x 16
- #2  x 1

Step 3. Carefully turn assembled unit upright. Attach top glass (part D) into top frame (part A) and attach small top glass (part H) into small top frame (part E).



Large Table



Small Table