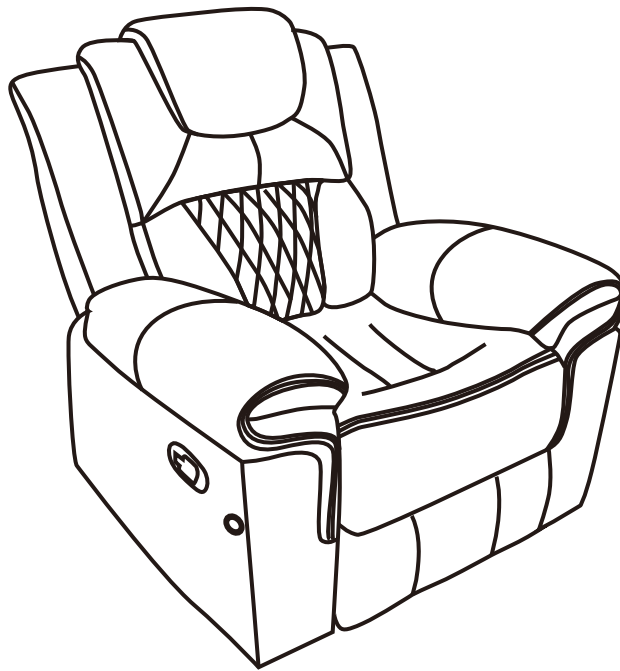
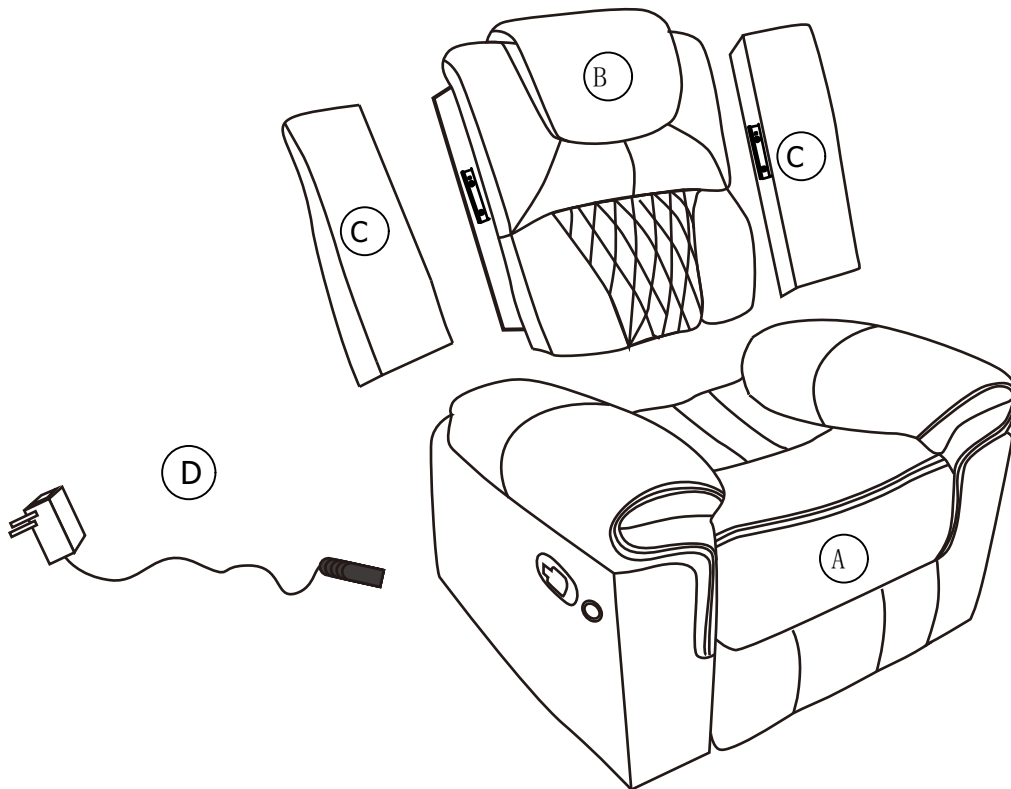


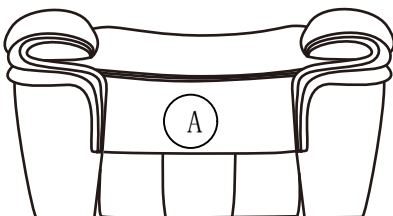
ASSEMBLY INSTRUCTION



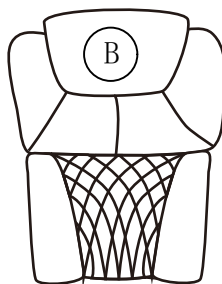
PARTS



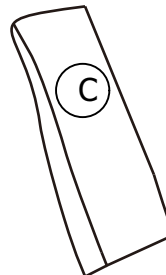
PARTS LIST



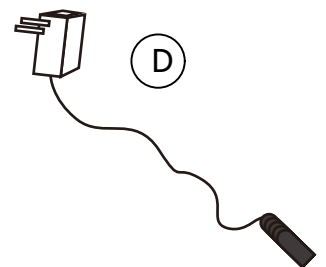
Seat X 1 PC



Backrest X 1 PC



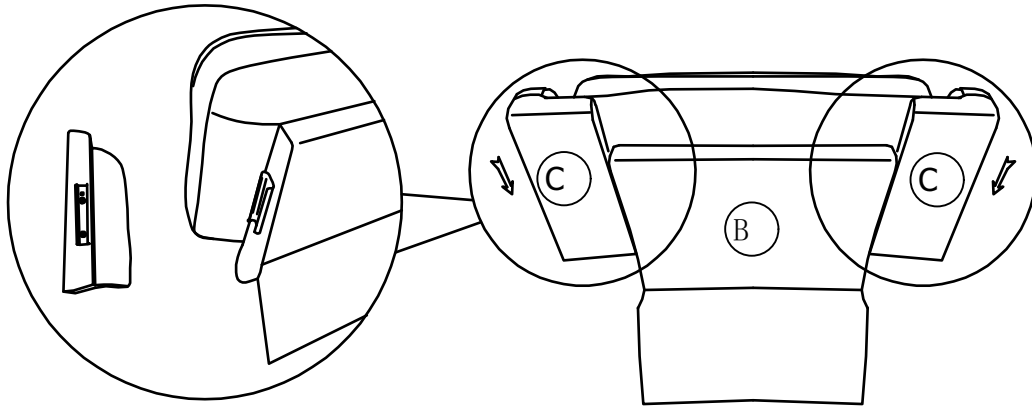
Ear X 2 PCS



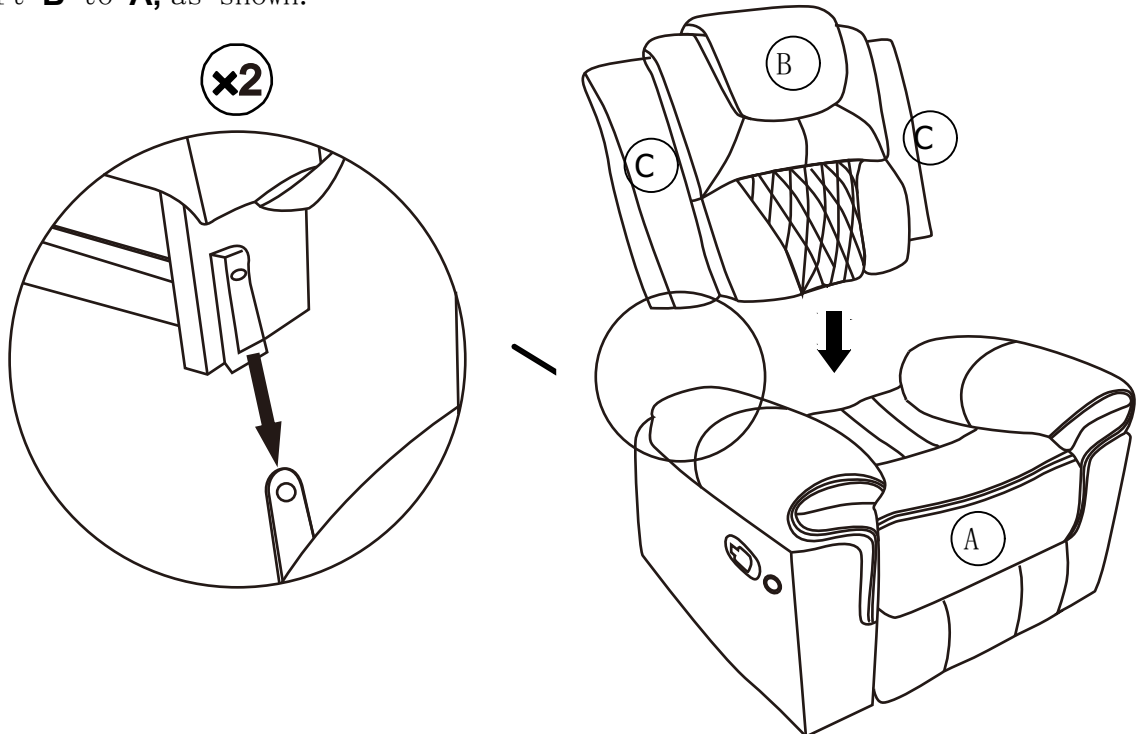
Power adapter X 1 PC

ASSEMBLY INSTRUCTION

STEP 1: Insert **C** to **B**, as shown.



STEP 2: Insert **B** to **A**, as shown.



STEP 3: Insert **D** to **Sofa**, as shown.
The switch controls the light under the seat.

