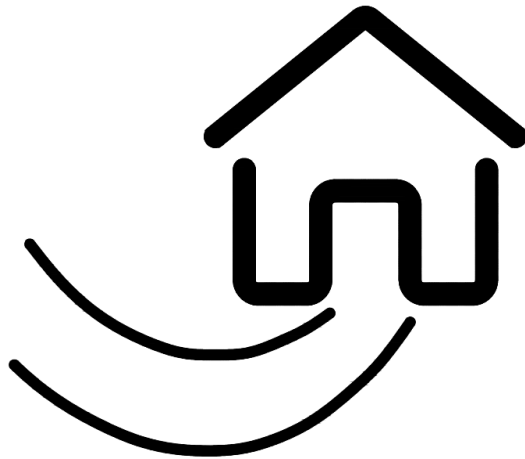


HAPPINESS HAPPINESS INSTALLATION



CAUTION

Part are placed at the bottom of the product.

- If you have any questions with the product, please contact us by:
- **Email: customerservice@zoy-living.com**
(we will reply to you within 24 hours)

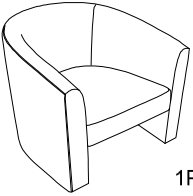
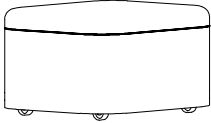
ASSEMBLY INSTRUCTIONS

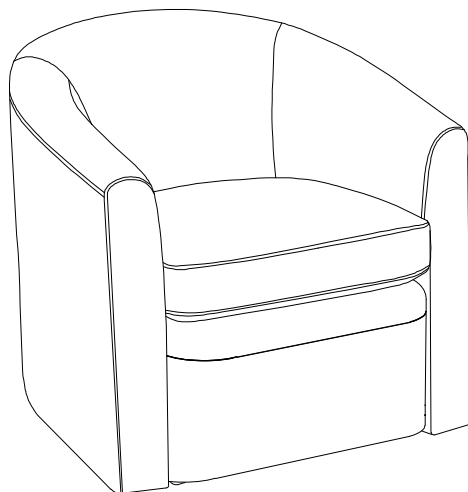
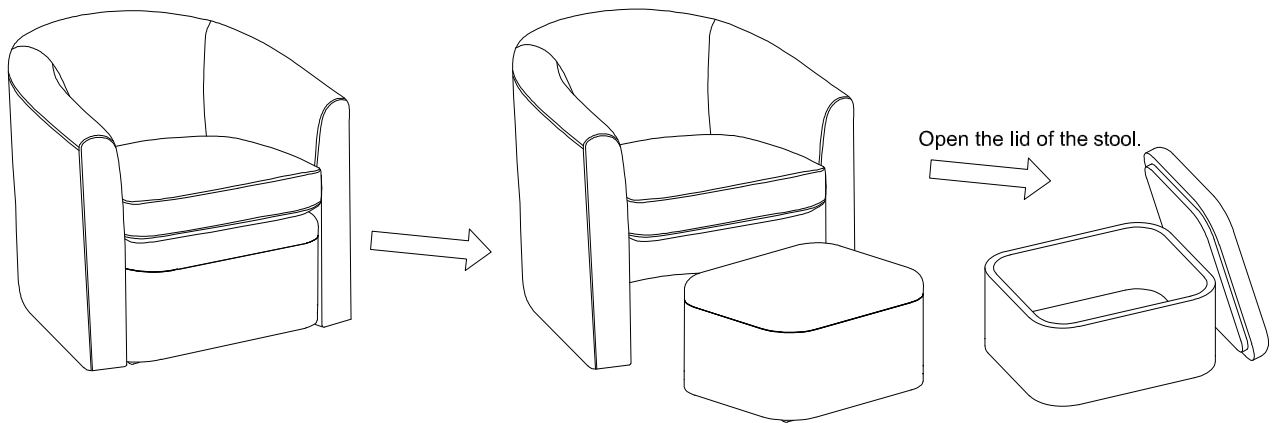
006N-Accent Chair and Storage Ottoman

Your recliner comes packaged in one box.
Carefully remove all of components from the
packaging and set aside for assembly

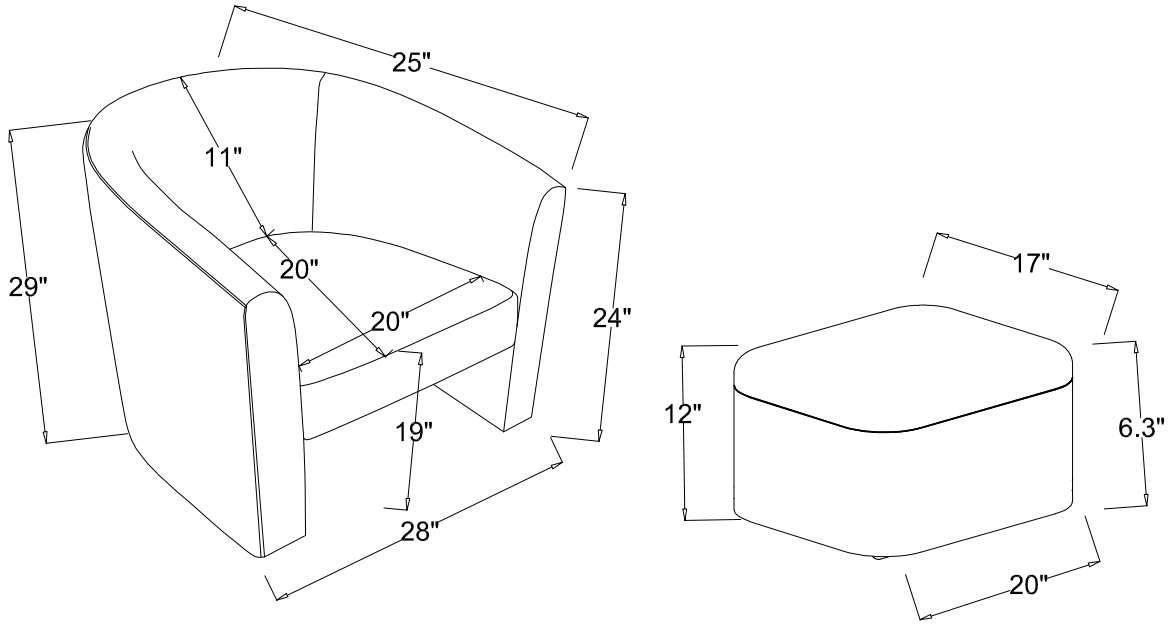
CAUTION:
DO NOT: use any sharp objects
to open plastic wrapped
components as damage to
product or components may
result

Package Contents

PART LIST	
A  1PC	B  1PC

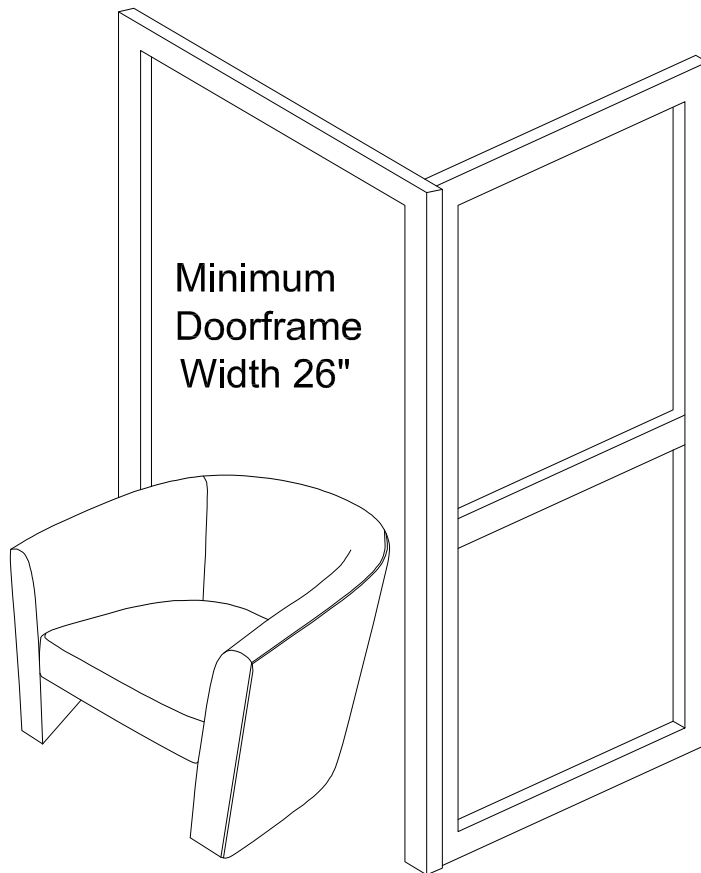


006N-Accent Chair and Storage Ottoman



Please not sit on the armrests for the user's safety.

Seat cushion weight capacity: 130kg



Rotate sofa 90 to fit through the door before attach back cushion and pillow

Warnings

1. Please check if the components of the chair are all included and can be used normally.
2. Assemble all components according to the instruction correctly before you connect the chair to the power.
3. Please DO NOT sit on the armrests or footrest to eliminate the risk of tipping over.
4. If the chair is damaged or doesn't match the website description, please send clear pictures of the product and label of the carton to our service team for further help.
5. If the recliner doesn't work, you may try the following measures for self-checking firstly:
 - a) Check if all the cables are connected;
 - b) Check if the light of transformer is on.

If the chair still doesn't work, please feed the information back to our customer service in time and we'll help you solve the matter as soon as possible.

6. If you have any questions with the product, please contact us by:

Email: customerservice@zoy-living.com (we will reply to you within 24 hours)

