

Assembly Instructions

CHAISE

Manufactured by (COST) for Rooms To Go

CHAISE(LAF)

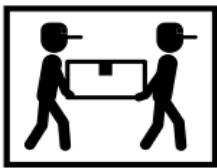
ASSEMBLY TIPS:

- 1.Remove hardware from box and sort by size.
- 2.Please check to see that all hardware and parts are present prior to start of assembly.
- 3.Please follow attached instruction in the same sequence as numbered to assure fast & easy assembly.



WARNING!

- 1.Don't attempt to repair or modify parts that are broken or defective. Please contact the store
- 2.This product is for home use only and not intended for commercial establishment.



ASSEMBLY TIME

10 MINUTES

PARTS IDENTIFICATION

A	CHAISE SEAT FRAME		1PC
B	CHAISE ARM FRAME		1PC
C	CHAISE BACK FRAME		1PC
D	FOOT		4PCS
E	BACK CUSHION		1PC
F	CHAISE LEFT BACK CUSHION		1PC
M	CHAISE RIGHT BACK CUSHION		1PC
G	PILLOW		1PC
H	CHAISE SMALL SEAT CUSHION		1PC
I	CHAISE LARGE SEAT CUSHION		1PC

Z	HARDWARE PACKAGE		
NO	DESCRIPTION	FIGURE	QTY
1	SMALL SCREW $\frac{5}{16}$ " * $1\text{-}\frac{3}{8}$ "		2PCS
2	LARGE SCREW $\frac{5}{16}$ " * $2\text{-}\frac{3}{16}$ "		4PCS
3	LOCK WASHER $\frac{5}{16}$ " * 13mm		6PCS+1PC SPARE
4	FLAT WASHER $\frac{5}{16}$ " * 19mm		6 PCS+1PC SPARE
5	ALLEN KEY M5		1PC
6	PLASTIC GASKETS		4PCS

Hardware Pack Location(s): Located in (B1) BOX

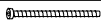



CHAISE

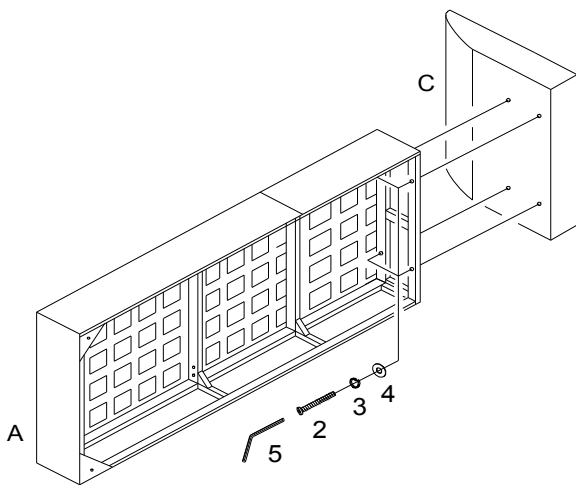
Assembly Instructions

CHAISE

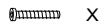

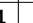

Caution: Please read all instructions carefully before starting the assembly process, These parts are cumbersome and heavy. Therefore, two people are recommended in order to prevent personal injury and insure the parts are not damaged during the assembly.

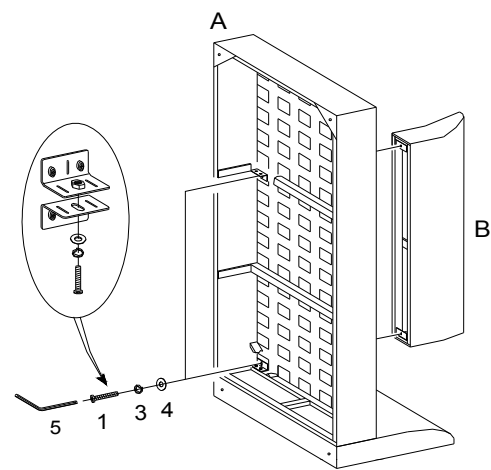
STEP 1:

2		x 4	3		x 4
4		x 4	5		x 1

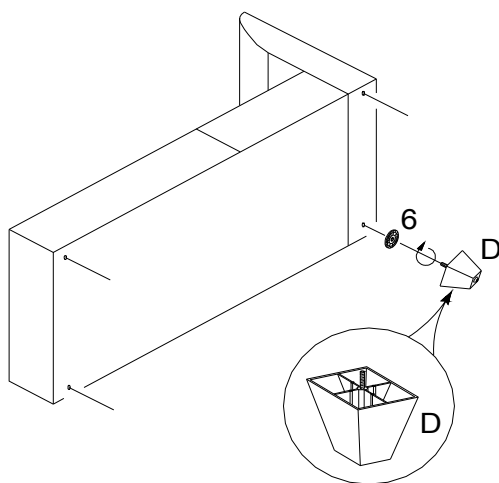


STEP 2:

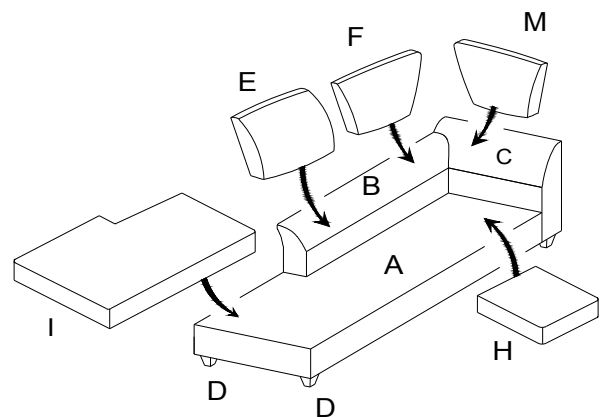
1		x 2	3		x 2
4		x 2	5		x 1



STEP 3:



STEP 4:



CHAISE

Assembly Instructions

CHAISE

SOFA (RAF)

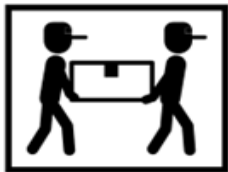
ASSEMBLY TIPS:

- 1.Remove hardware from box and sort by size.
- 2.Please check to see that all hardware and parts are present prior to start of assembly.
- 3.Please follow attached instruction in the same sequence as numbered to assure fast & easy assembly.



WARNING!


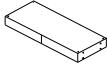
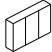



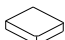
- 1.Don't attempt to repair or modify parts that are broken or defective. Please contact the store immediately.
- 2.This product is for home use only and not intended for commercial establishment.

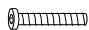




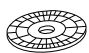


ASSEMBLY TIME

10 MINUTES

PARTS IDENTIFICATION

J	SOFA BACK FRAME		1PC
K	SOFA SEAT FRAME		1PC
L	SOFA ARM FRAME		1PC
D	FOOT		4PCS
E	BACK CUSHION		3PCS
G	PILLOW		1PC
N	SEAT CUSHION		3PCS

Z	HARDWARE PACKAGE		
NO	DESCRIPTION	FIGURE	QTY
1	SMALL SCREW $\frac{5}{16}$ " * $1\frac{3}{8}$ "		2PCS
2	LARGE SCREW $\frac{5}{16}$ " * $2\frac{3}{16}$ "		4PCS
3	LOCK WASHER $\frac{5}{16}$ " * 13mm		6PCS+1PC SPARE
4	FLAT WASHER $\frac{5}{16}$ " * 19mm		6 PCS+1PC SPARE
5	ALLEN KEY M5		1PC
6	PLASTIC GASKETS		4PCS

Hardware Pack Location(s): Located in (B2) BOX

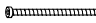



SOFA

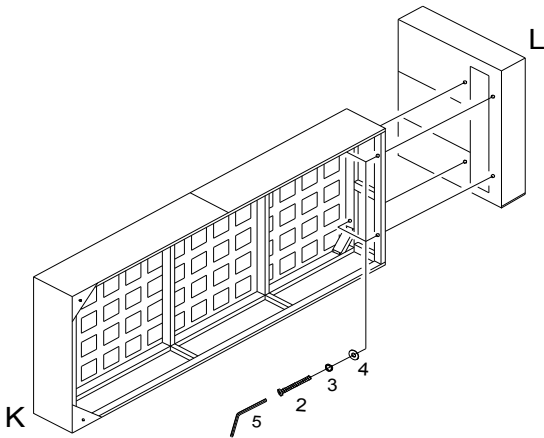
Assembly Instructions

CHAISE





Caution: Please read all instructions carefully before starting the assembly process, These parts are cumbersome and heavy. Therefore, two people are recommended in order to prevent personal injury and insure the parts are not damaged during the assembly.

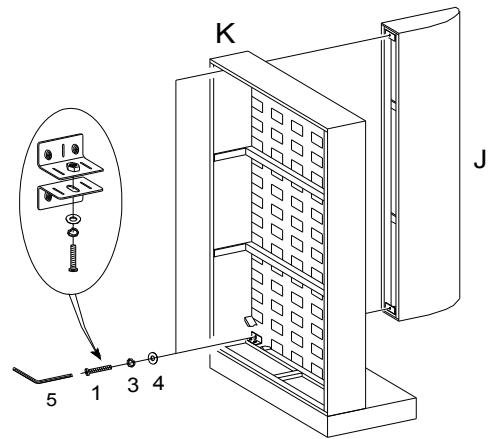
STEP 1:

2		x 4	3		x 4
4		x 4	5		x 1

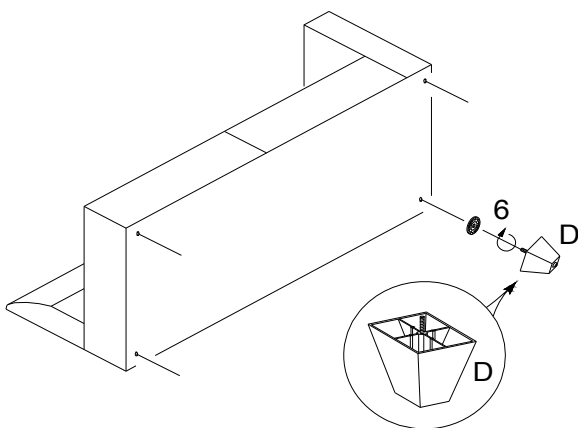


STEP 2:

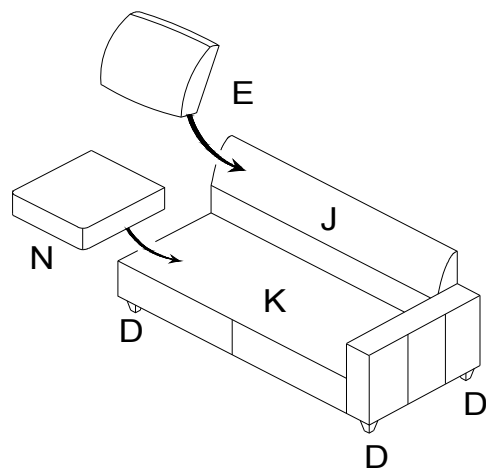
1		x 2	3		x 2
4		x 2	5		x 1



STEP 3:



STEP 4:



SOFA

Assembly Instructions

CHAISE

CHAISE (RAF)

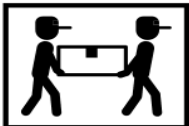
ASSEMBLY TIPS:

- 1.Remove hardware from box and sort by size.
- 2.Please check to see that all hardware and parts are present prior to start of assembly.
- 3.Please follow attached instruction in the same sequence as numbered to assure fast & easy assembly.



WARNING!

1.Don't attempt to repair or modify parts that are broken or defective. Please contact the store 2.This product is for home use only and not intended for commercial establishment.



ASSEMBLY TIME

10 MINUTES

PARTS IDENTIFICATION

A	CHAISE SEAT FRAME		1PC
B	CHAISE ARM FRAME		1PC
C	CHAISE BACK FRAME		1PC
D	FOOT		4PCS
E	BACK CUSHION		1PC
F	CHAISE LEFT BACK CUSHION		1PC
M	CHAISE RIGHT BACK CUSHION		1PC
G	PILLOW		1PC
H	CHAISE SMALL SEAT CUSHION		1PC
I	CHAISE LARGE SEAT CUSHION		1PC

Z	HARDWARE PACKAGE		
NO	DESCRIPTION	FIGURE	QTY
1	SMALL SCREW $\frac{5}{16}$ " * $1\text{-}\frac{3}{8}$ "		2PCS
2	LARGE SCREW $\frac{5}{16}$ " * $2\text{-}\frac{3}{16}$ "		4PCS
3	LOCK WASHER $\frac{5}{16}$ " * 13mm		6PCS+1PC SPARE
4	FLAT WASHER $\frac{5}{16}$ " * 19mm		6 PCS+1PC SPARE
5	ALLEN KEY M5		1PC
6	PLASTIC GASKETS		4PCS

Hardware Pack Location(s): Located in (B1) BOX

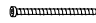



CHAISE

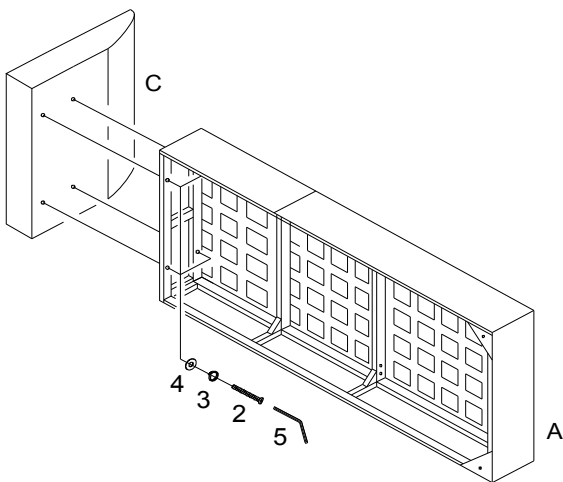
Assembly Instructions

CHAISE

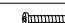
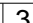
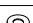
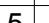
Caution: Please read all instructions carefully before starting the assembly process, These parts are cumbersome and heavy. Therefore, two people are recommended in order to prevent personal injury and insure the parts are not damaged during the assembly.

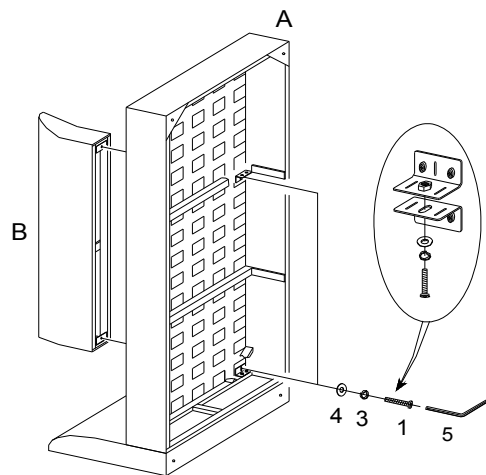
STEP 1:

2		x 4	3		x 4
4		x 4	5		x 1

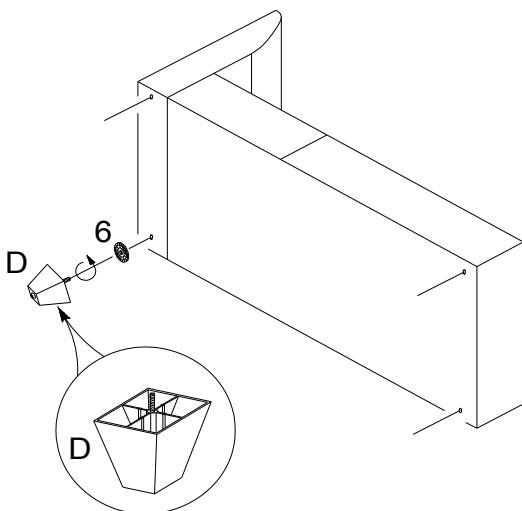


STEP 2:

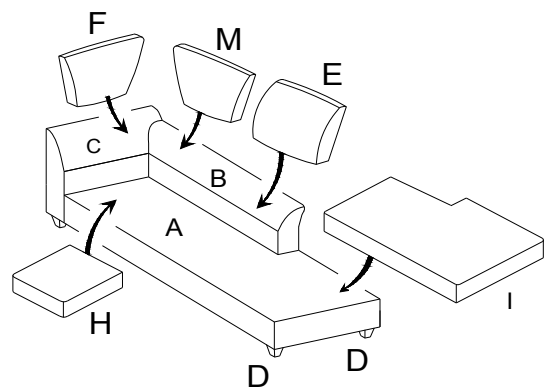
1		x 2	3		x 2
4		x 2	5		x 1



STEP 3:



STEP 4:



CHAISE

Assembly Instructions

CHAISE

SOFA (LAF)

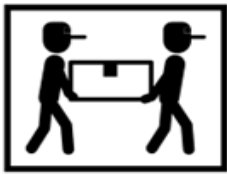
ASSEMBLY TIPS:

- 1.Remove hardware from box and sort by size.
- 2.Please check to see that all hardware and parts are present prior to start of assembly.
- 3.Please follow attached instruction in the same sequence as numbered to assure fast & easy assembly.



WARNING!


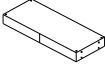
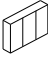



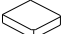
- 1.Don't attempt to repair or modify parts that are broken or defective. Please contact the store immediately.
- 2.This product is for home use only and not intended for commercial establishment.

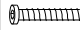
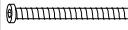






ASSEMBLY TIME

10 MINUTES

PARTS IDENTIFICATION

J	SOFA BACK FRAME		1PC
K	SOFA SEAT FRAME		1PC
L	SOFA ARM FRAME		1PC
D	FOOT		4PCS
E	BACK CUSHION		3PCS
G	PILLOW		1PC
N	SEAT CUSHION		3PCS

Z	HARDWARE PACKAGE		
NO	DESCRIPTION	FIGURE	QTY
1	SMALL SCREW $\frac{5}{16}$ " * $1\frac{3}{8}$ "		2PCS
2	LARGE SCREW $\frac{5}{16}$ " * $2\frac{3}{16}$ "		4PCS
3	LOCK WASHER $\frac{5}{16}$ " * 13mm		6PCS+1PC SPARE
4	FLAT WASHER $\frac{5}{16}$ " * 19mm		6 PCS+1PC SPARE
5	ALLEN KEY M5		1PC
6	PLASTIC GASKETS		4PCS

Hardware Pack Location(s): Located in (B2) BOX

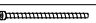



SOFA

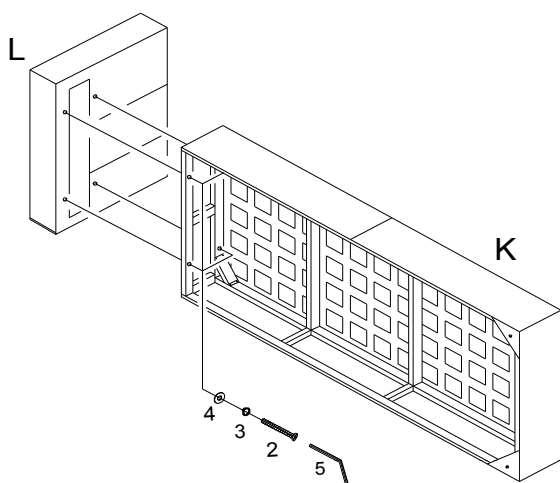
Assembly Instructions

CHAISE



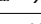

Caution: Please read all instructions carefully before starting the assembly process, These parts are cumbersome and heavy. Therefore, two people are recommended in order to prevent personal injury and insure the parts are not damaged during the assembly.

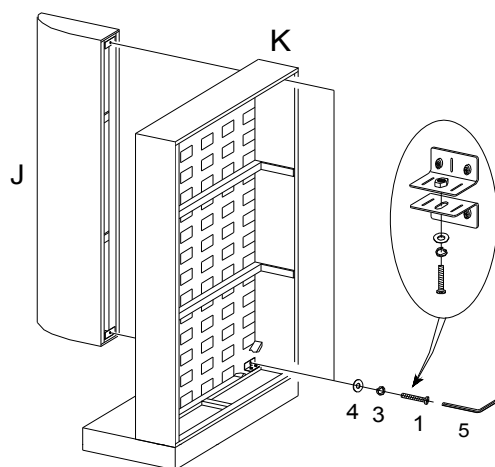
STEP 1:

2		x 4	3		x 4
4		x 4	5		x 1

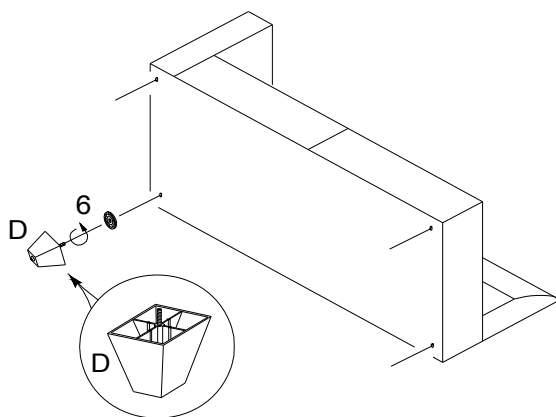


STEP 2:

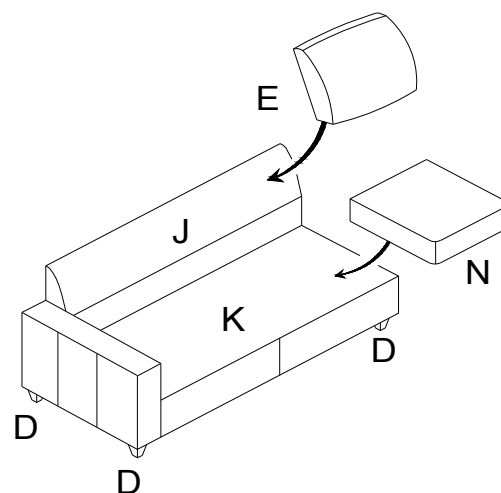
1		x 2	3		x 2
4		x 2	5		x 1



STEP 3:



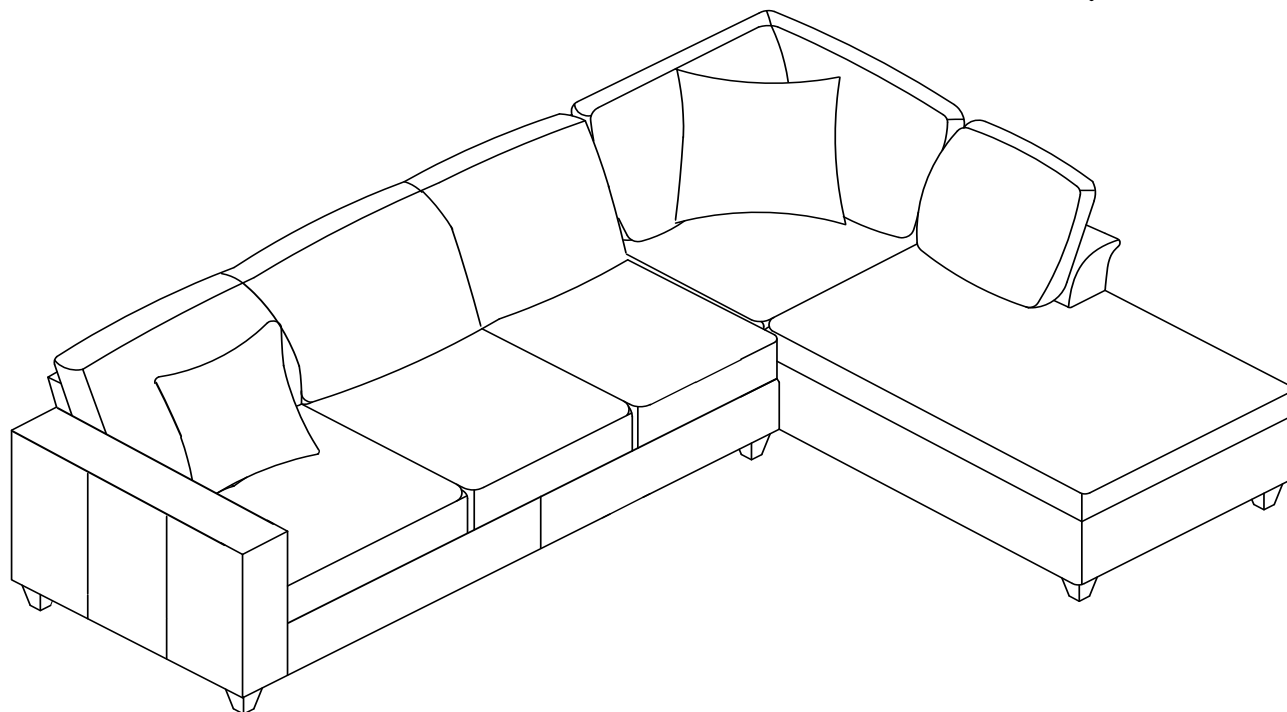
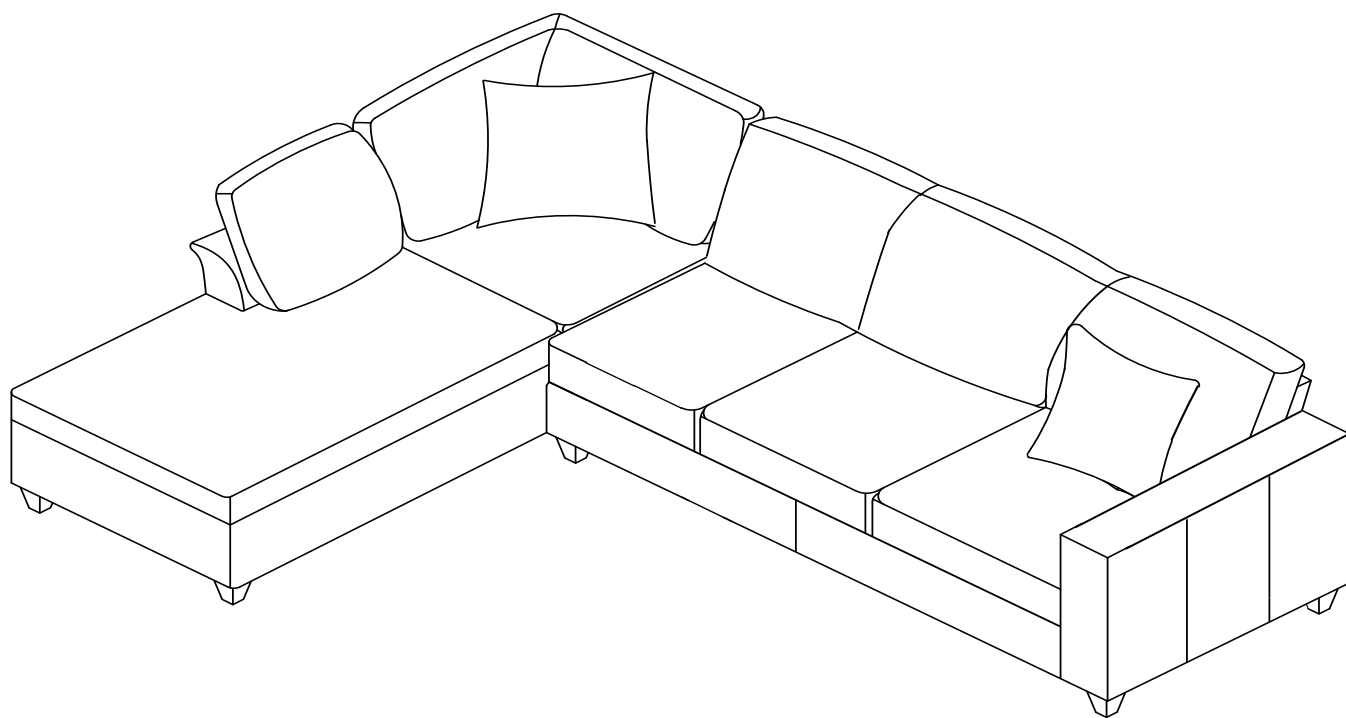
STEP 4:



SOFA

Assembly Instructions

CHAISE



CHAISE
SOFA