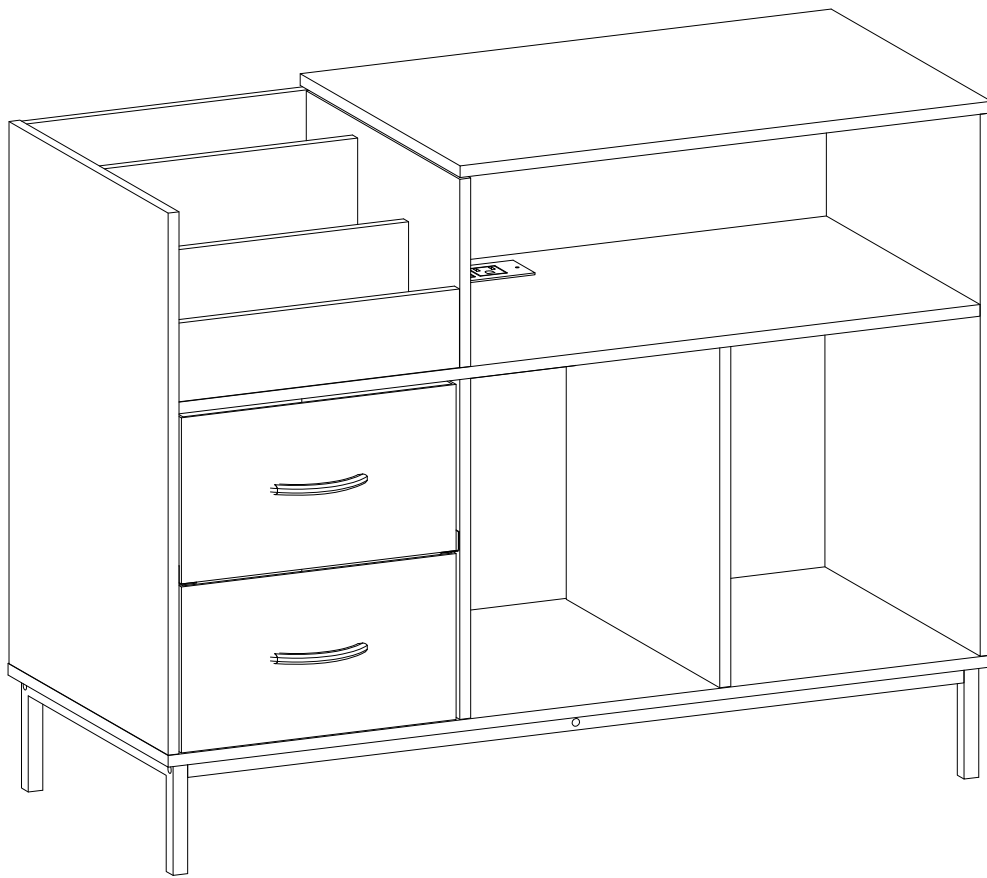
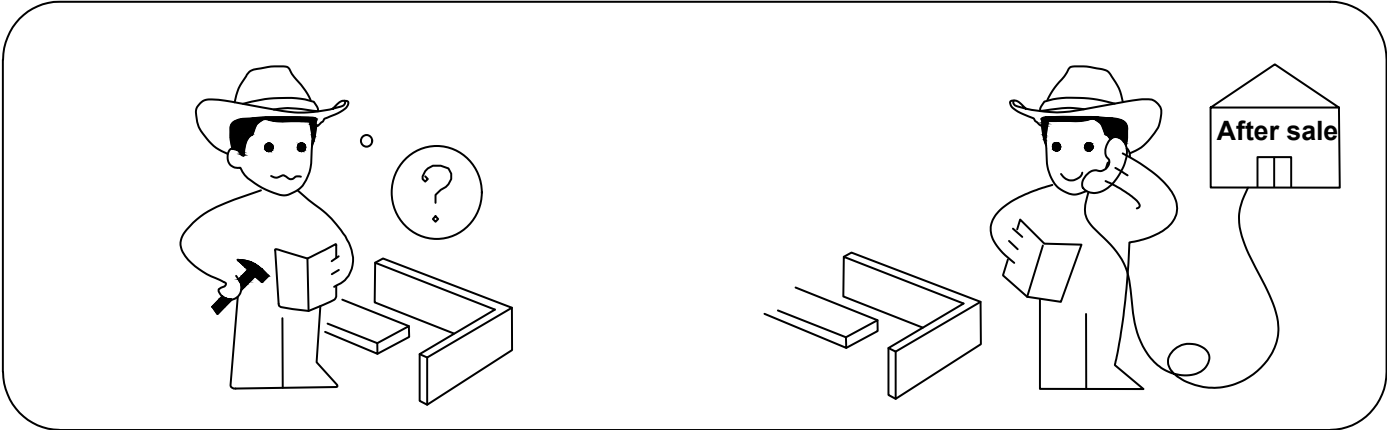
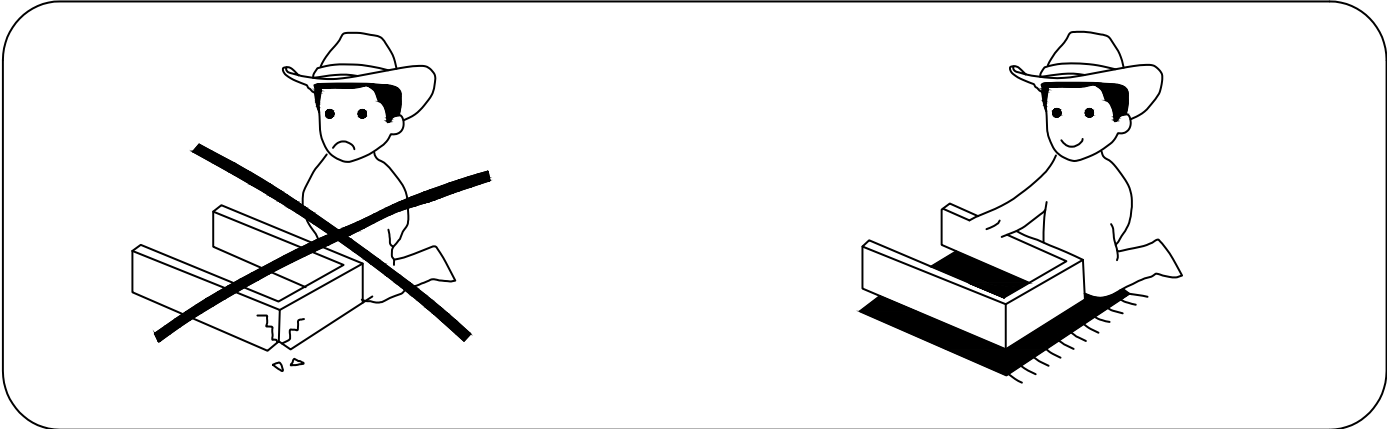
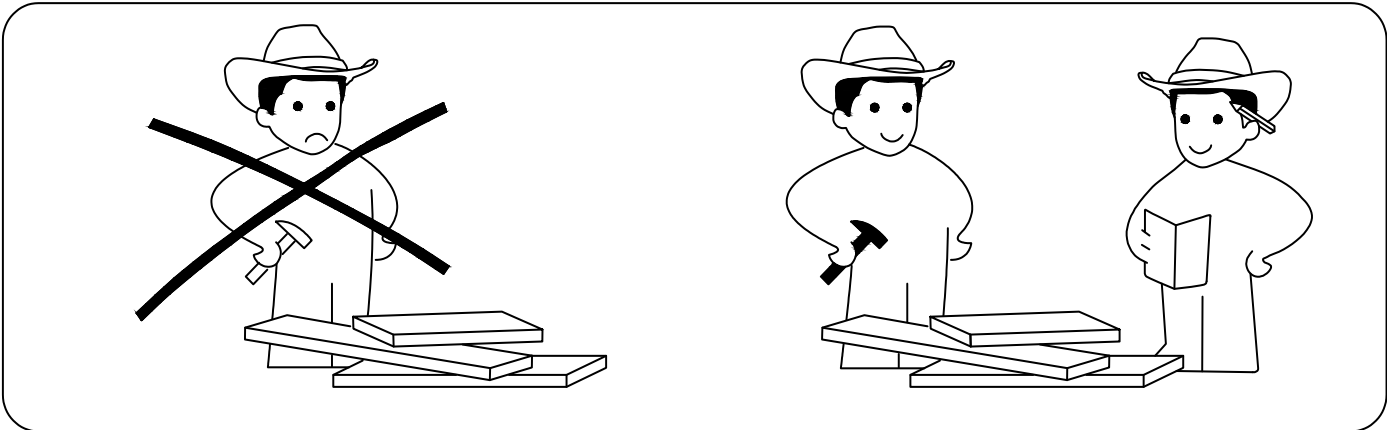
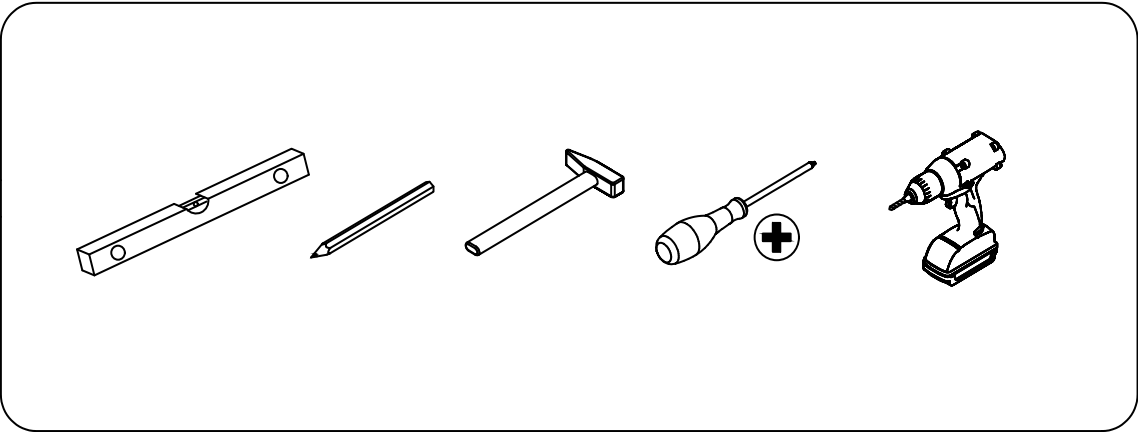
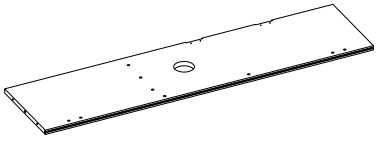


Installation & Assembly

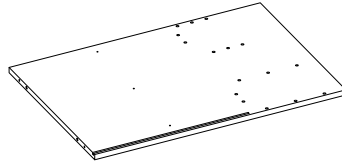




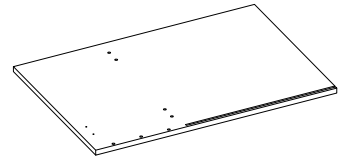
1x1*pc



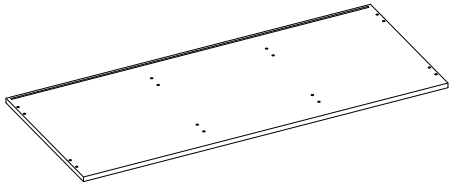
2x1*pc



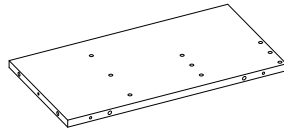
3x1*pc



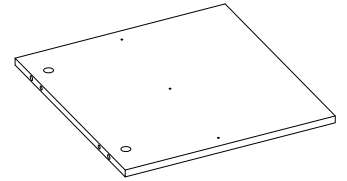
4x1*pc



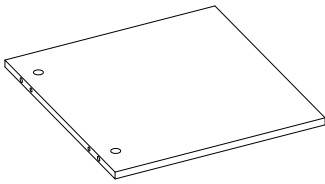
5x1*pc



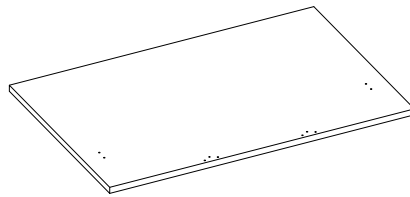
6x1*pc



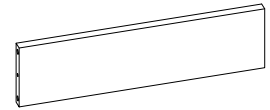
7x1*pc



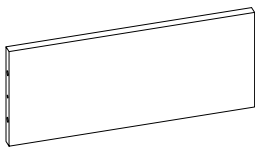
8x1*pc



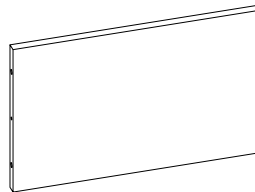
9x1*pc



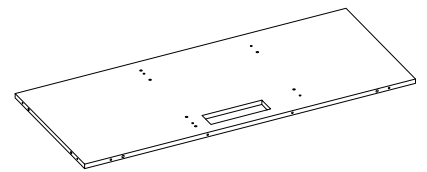
10x1*pc



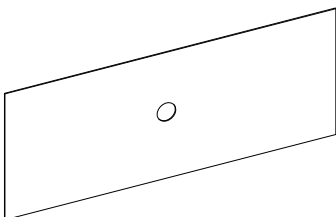
11x1*pc



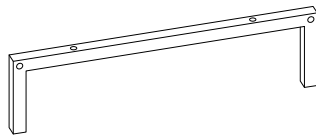
12x1*pc



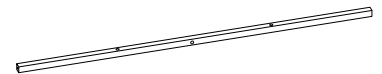
13x1*pc



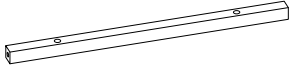
14x2*pcs



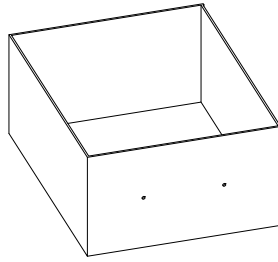
15x2*pcs



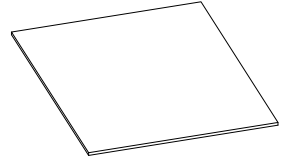
16x1*pc



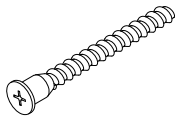
17x2*pcs



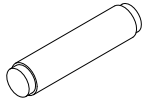
18x2*pcs



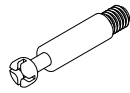
Ax29*pcs



Bx36*pcs



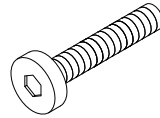
Cx4*pcs



Dx4*pcs



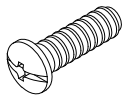
Ex16*pcs



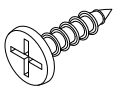
Fx2*pcs



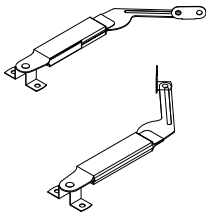
Gx4*pcs



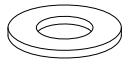
Hx6*pcs



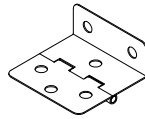
Kx1*pc



Lx4*pcs



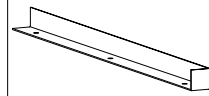
Tx2*pc



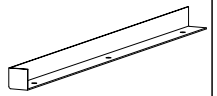
Ix33*pc



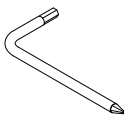
Mx1*pc



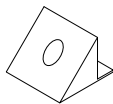
Px1*pc



Nx1*pc



Qx4*pcs



Rx4*pcs



Sx20*pcs

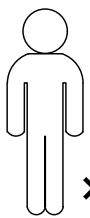
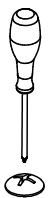
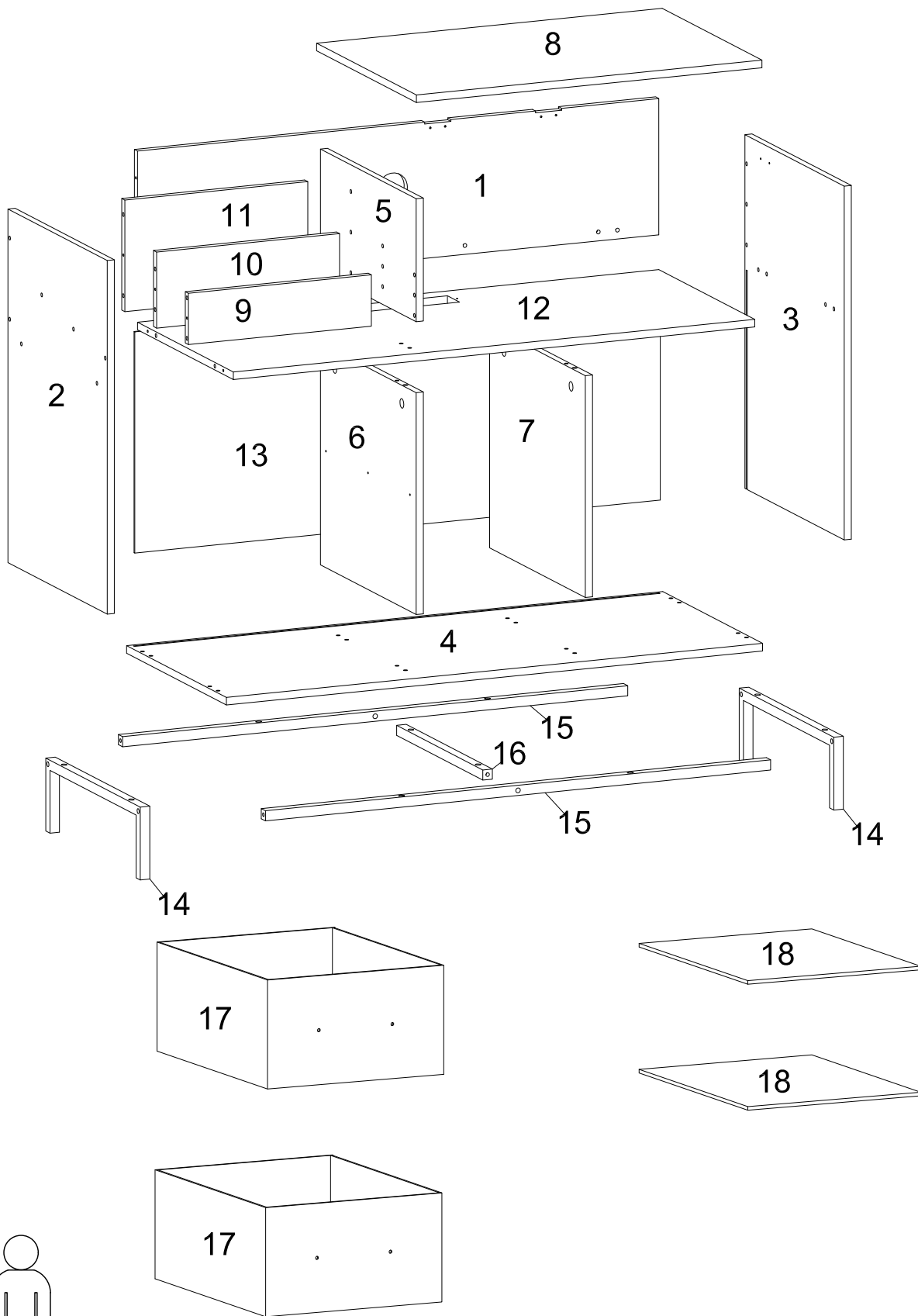


Zx2*pcs



PCx1*pc

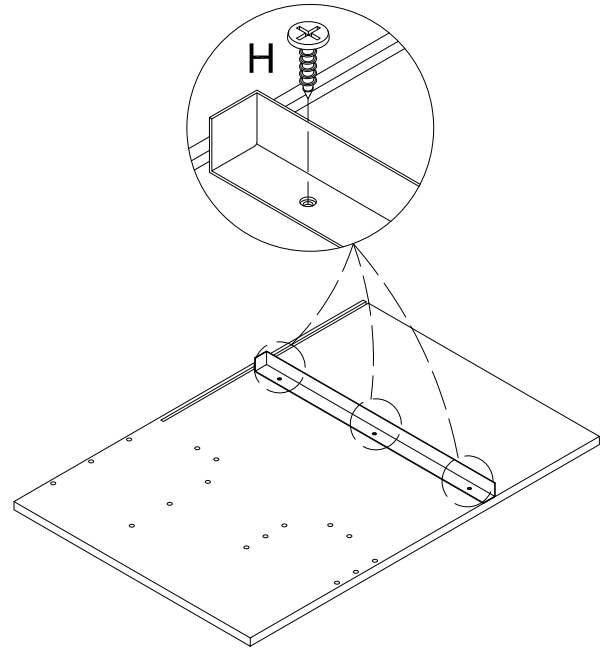
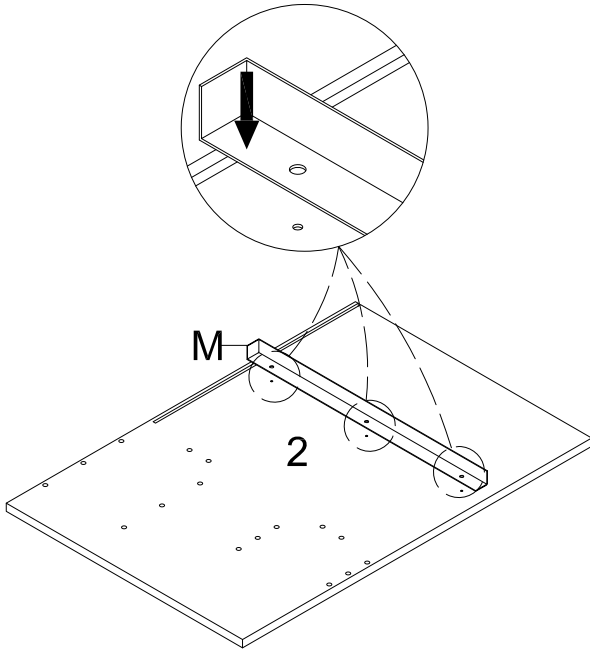




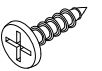
×2

1

Place accessory M on the side panel and secure them with three screws.

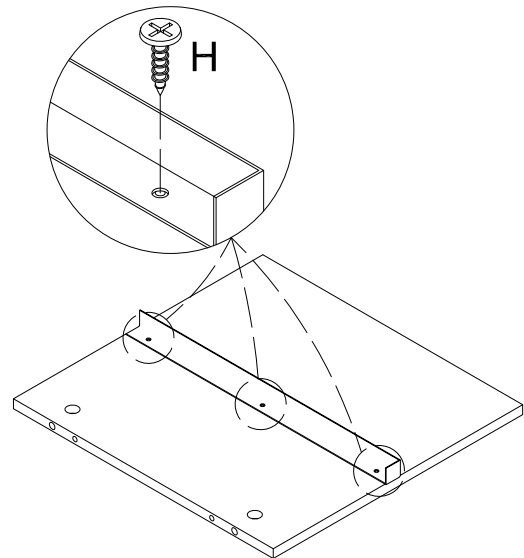
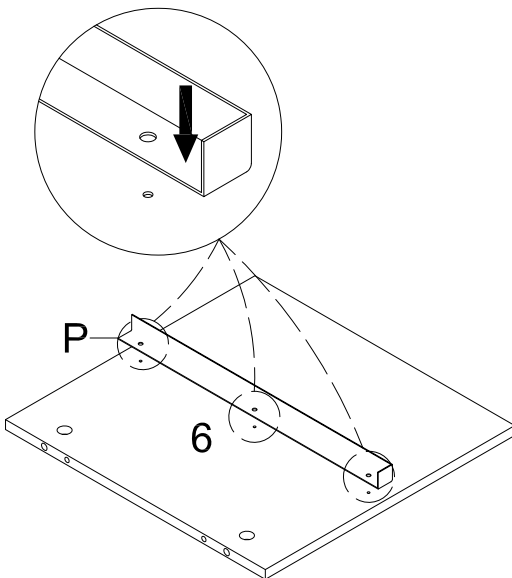


Hx3

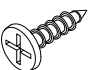


2

Place accessory P on the side panel and secure them with three screws.

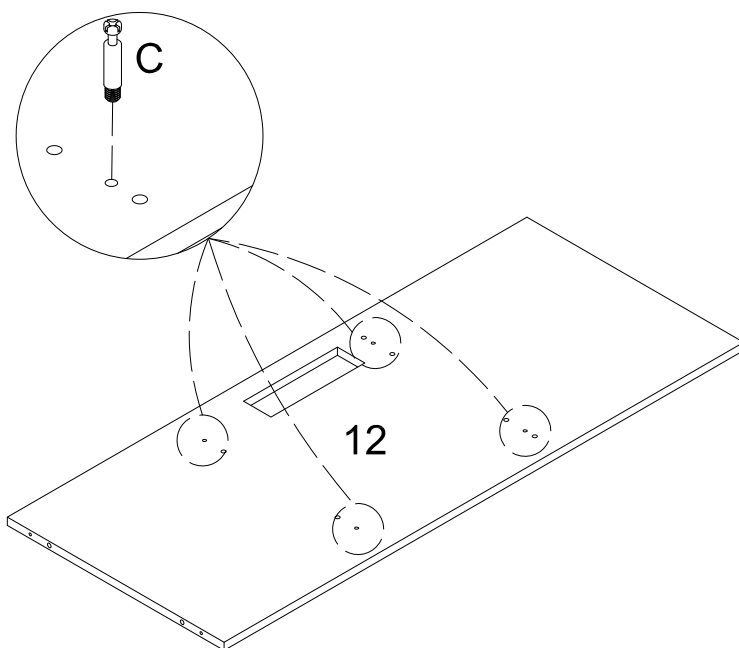


Hx3

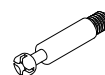


3

Take out this board and install four screws.

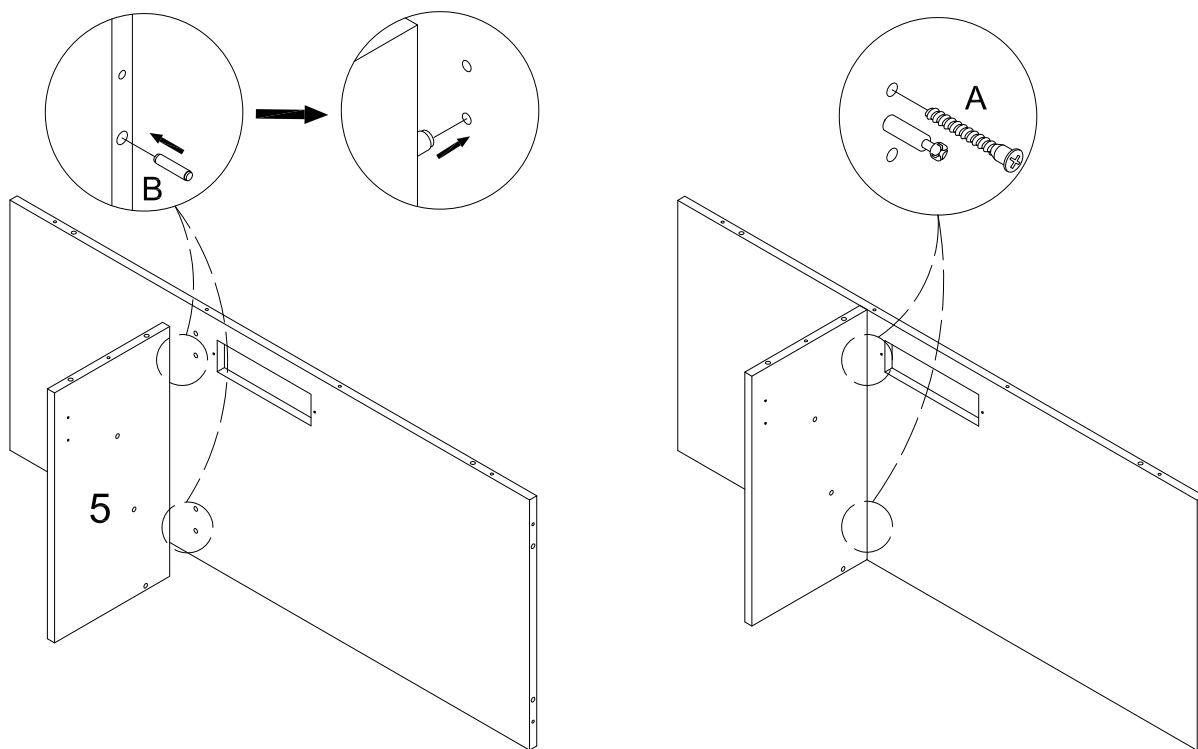


Cx4

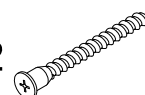


4

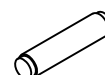
Put these panels together and secure them with two wooden tenons and two screws.



Ax2

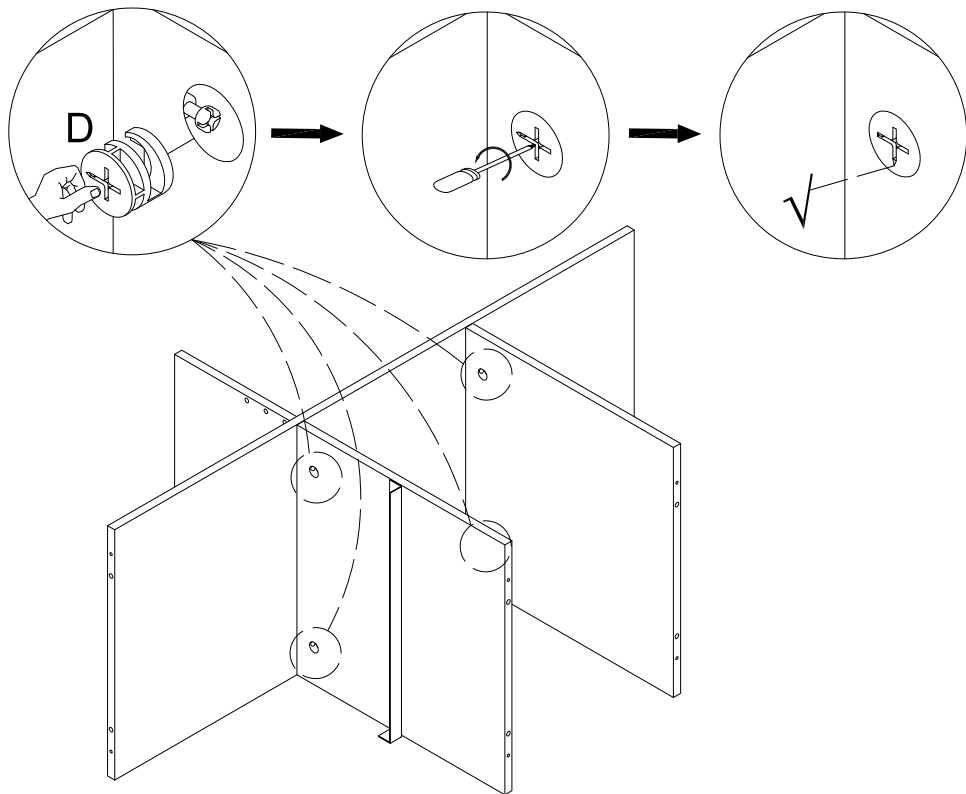
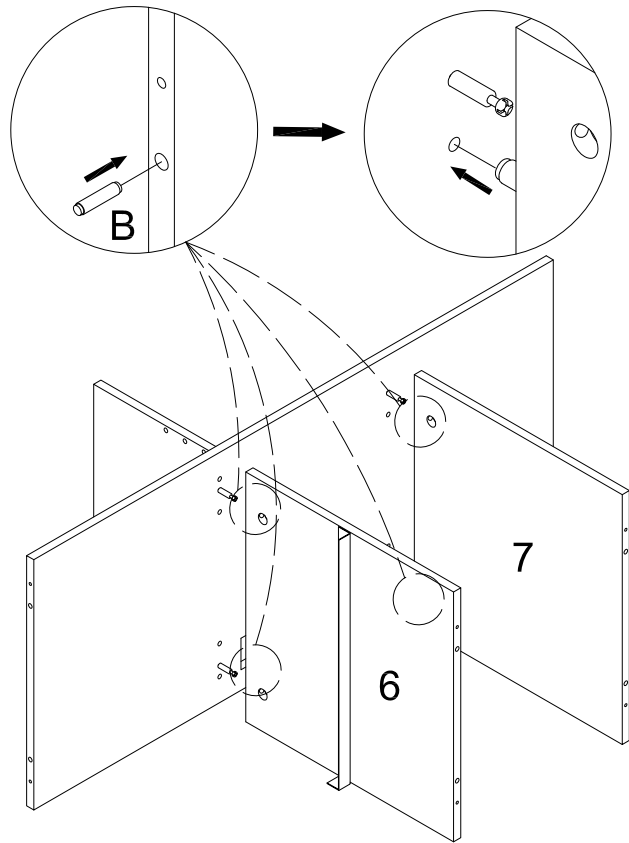


Bx2

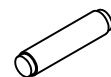


5

Put these panels together and secure them with four nuts.



Bx4

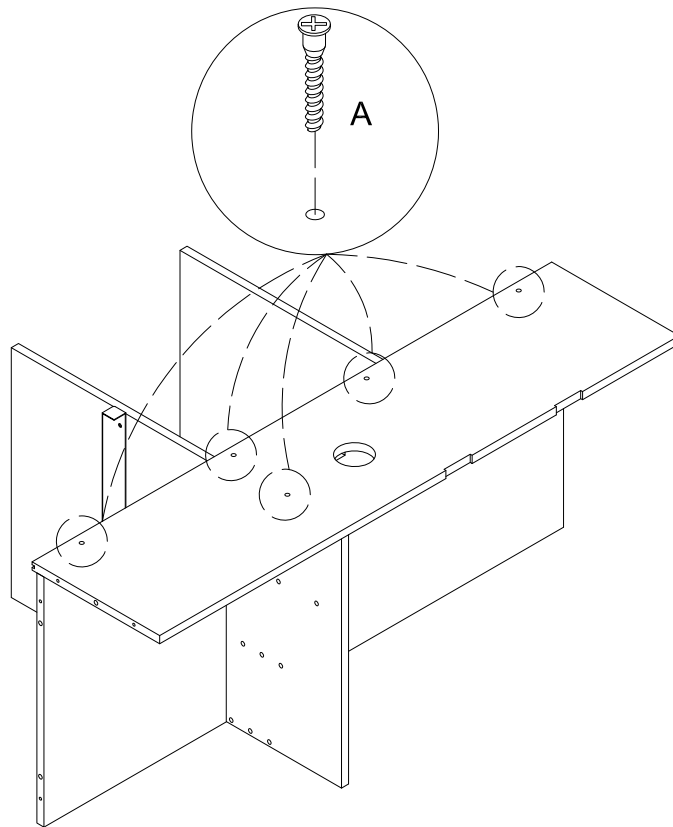
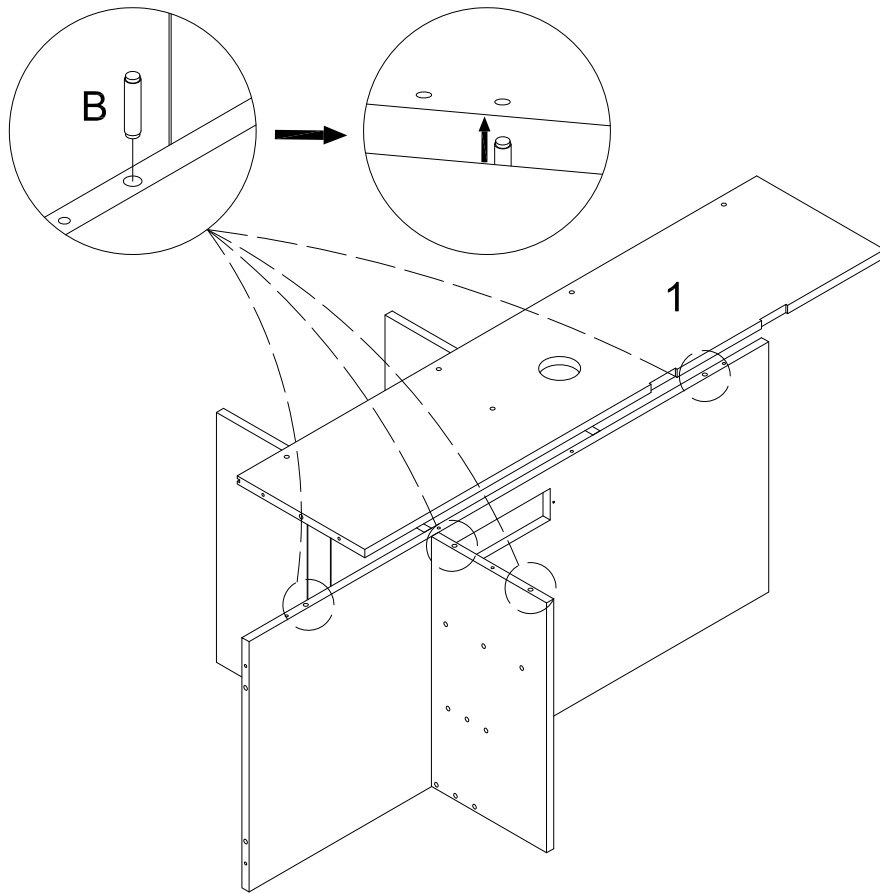


Dx4

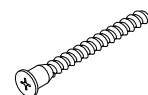


6

Put these panels together and secure them with four wooden tenons and five screws.



Ax5

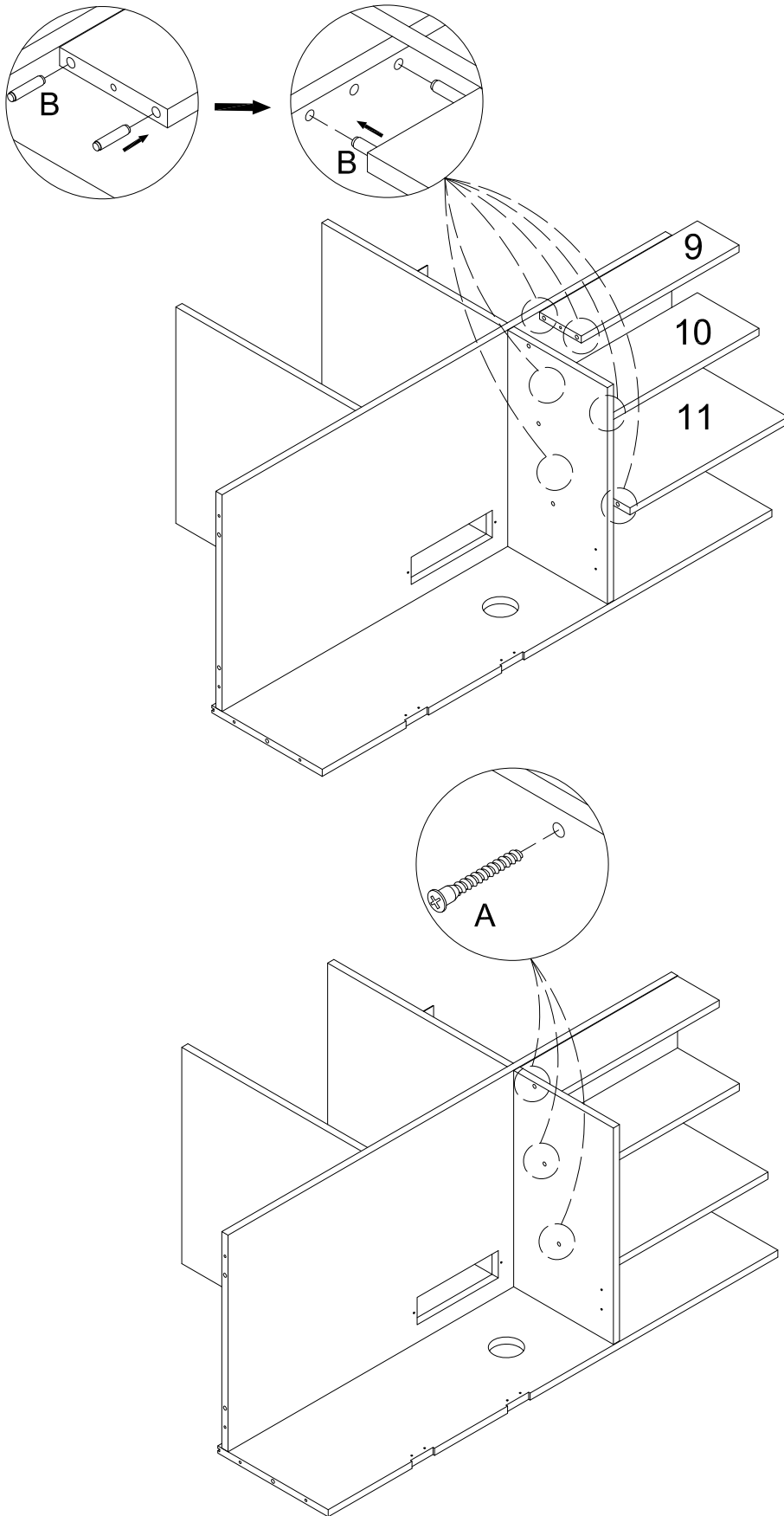


Bx4

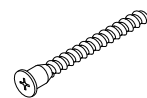


7

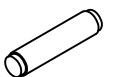
Put these panels together and secure them with six wooden tenons and three screws.



Ax3

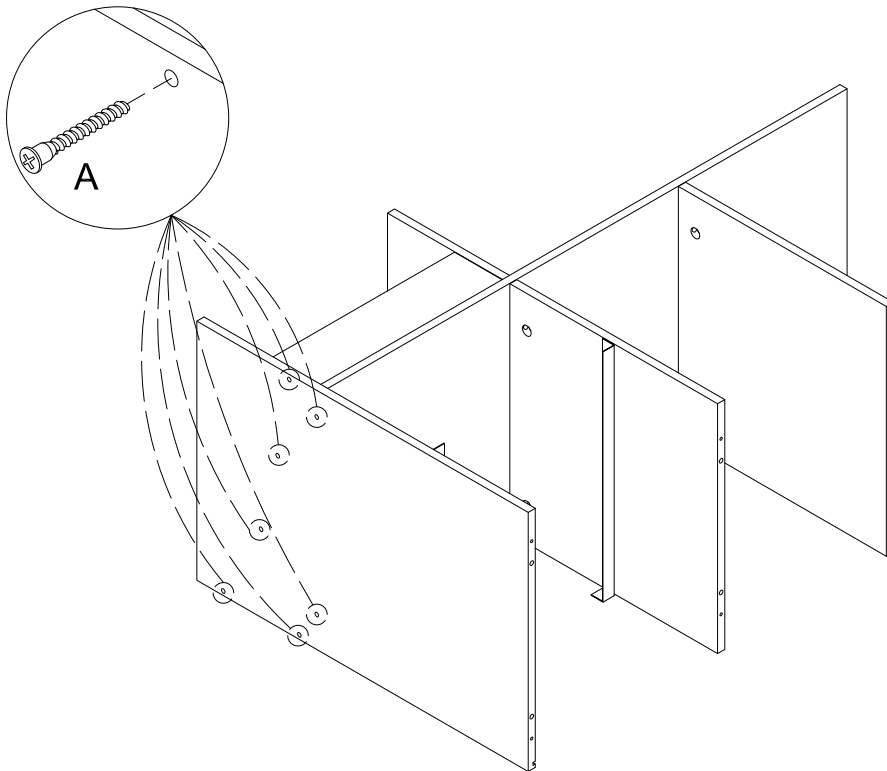
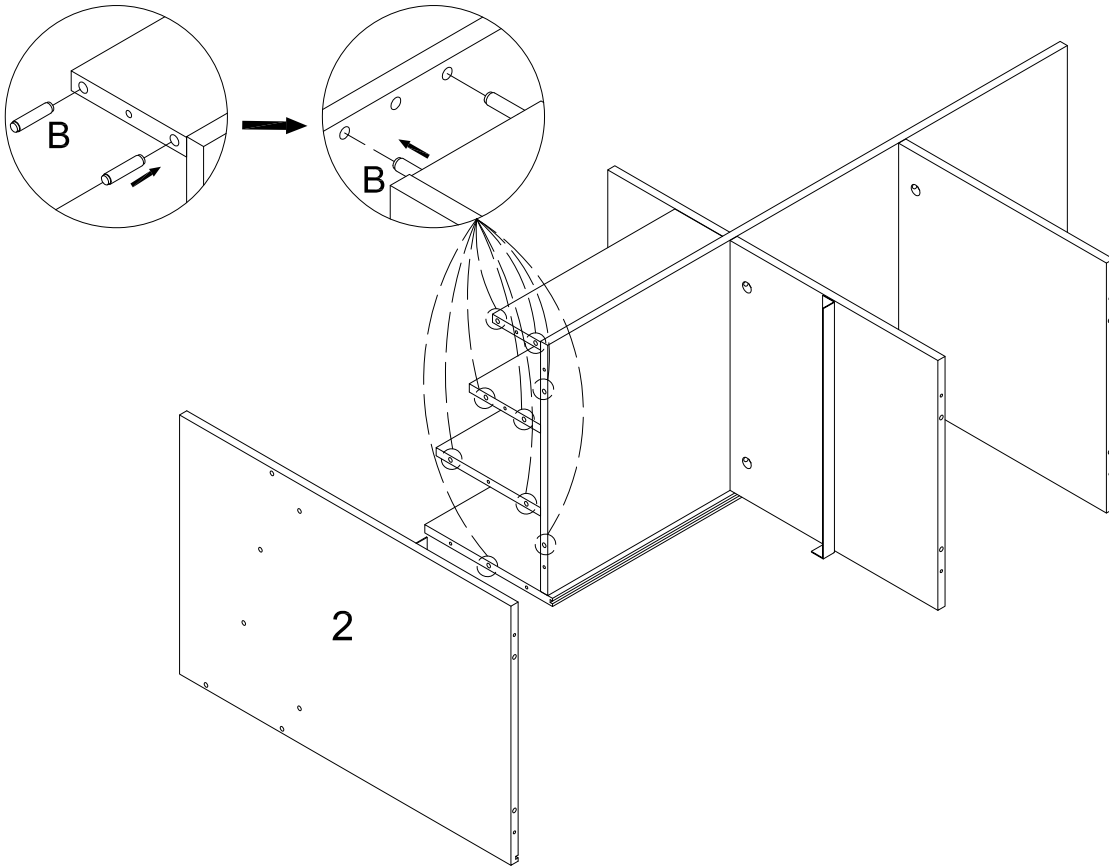


Bx6

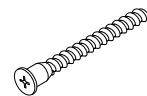


8

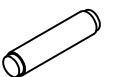
Put these panels together and secure them with nine wooden tenons and six screws.



Ax7

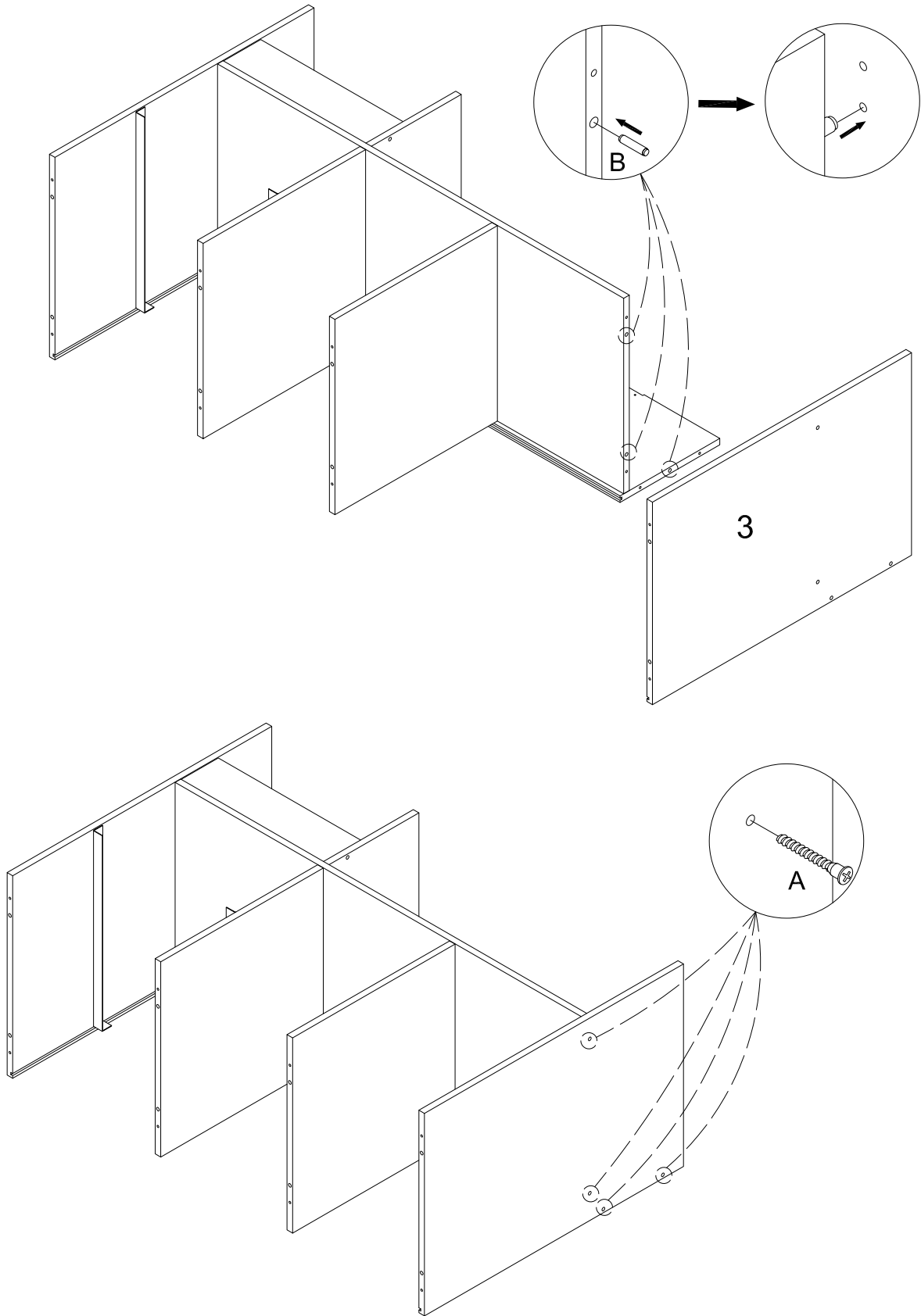


Bx9

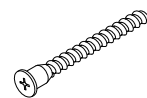


9

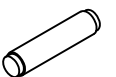
Put these panels together and secure them with three wooden tenons and four screws.



Ax4

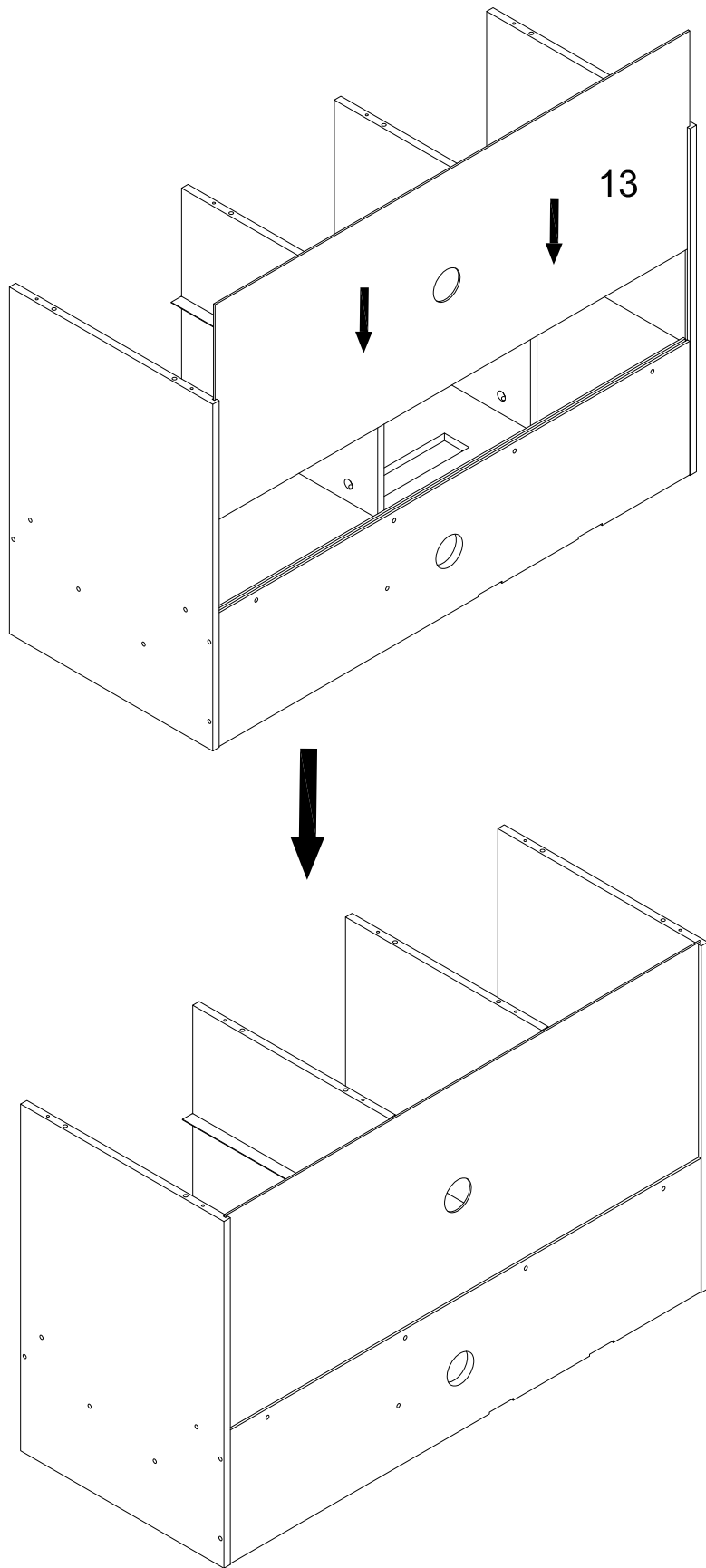


Bx3



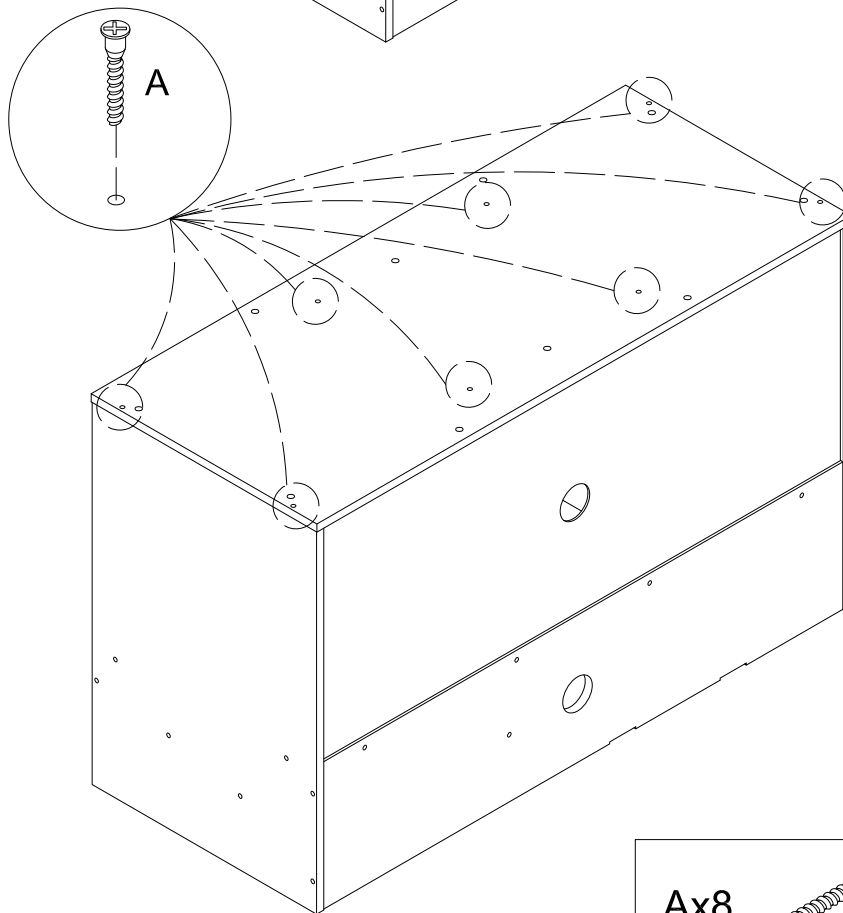
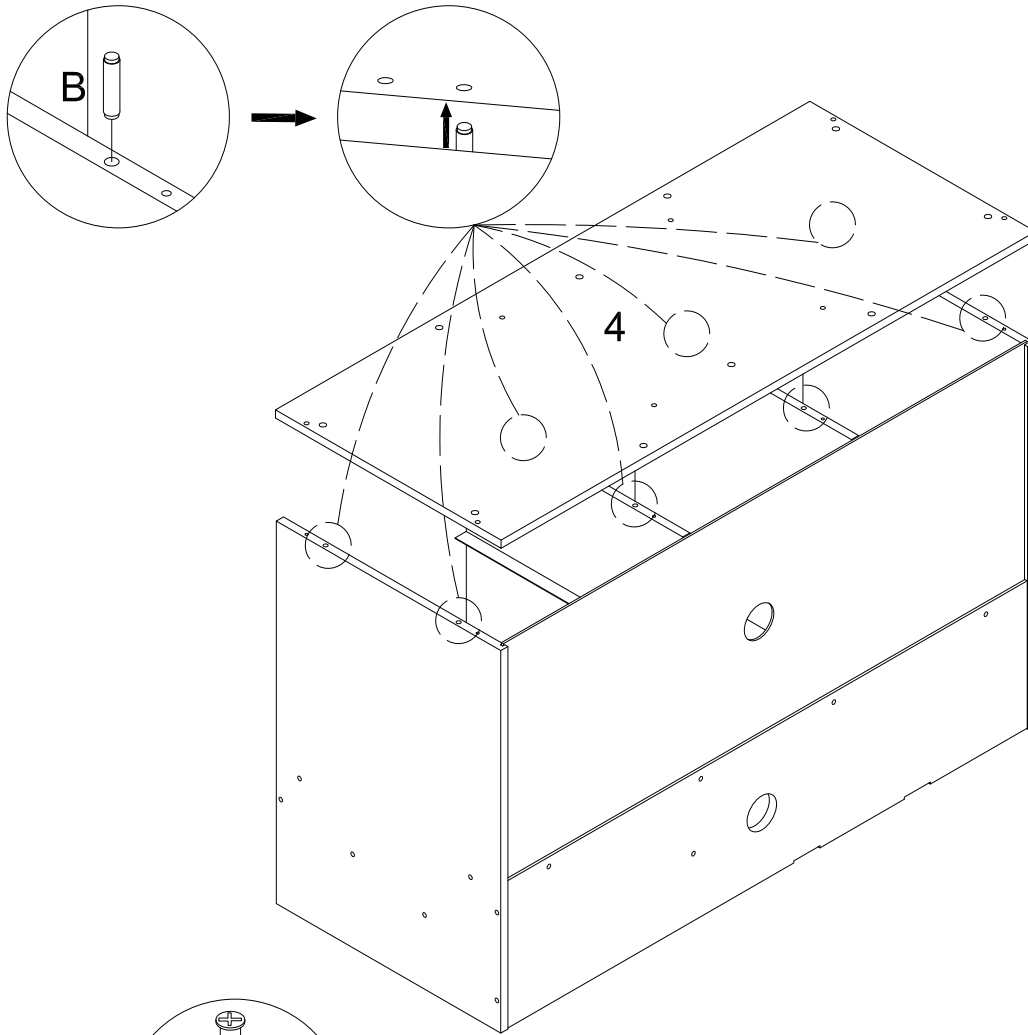
10

Insert the thin plate into the slot.

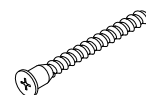


11

Put these panels together and secure them with eight wooden tenons and eight screws.



Ax8

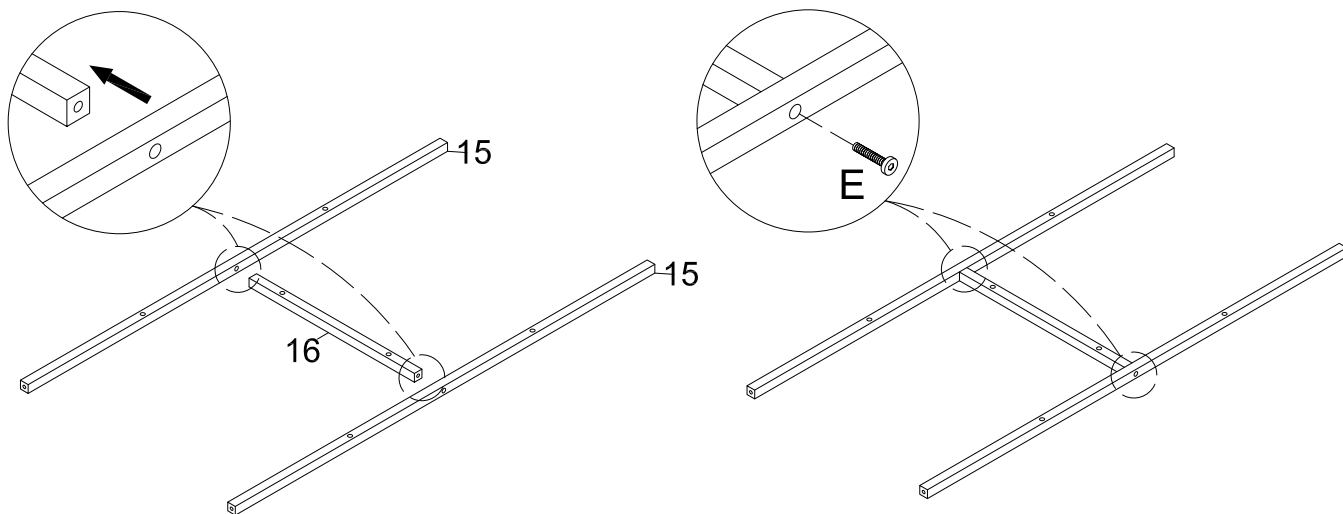


Bx8

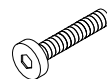


12

Put these iron pipes together and connect them with two screws.

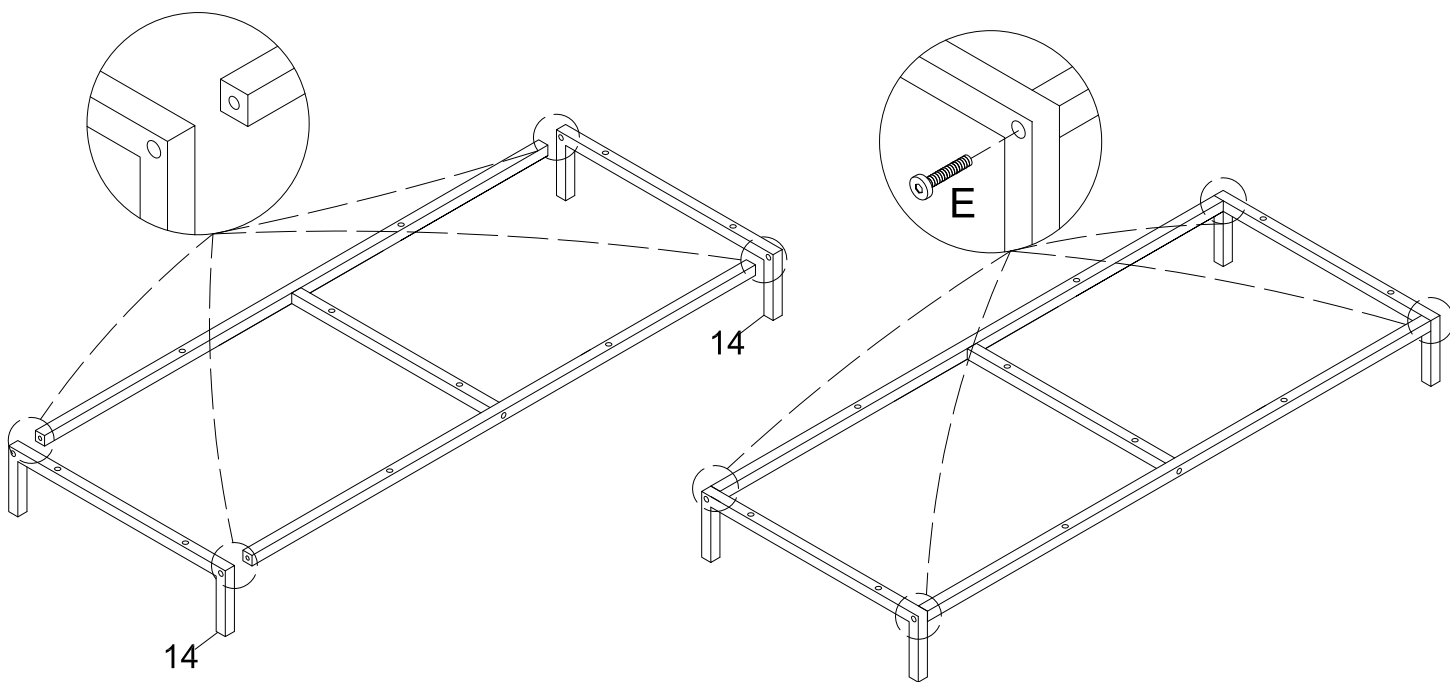


Ex2

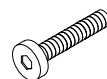


13

Put these iron pipes together and connect them with four screws.

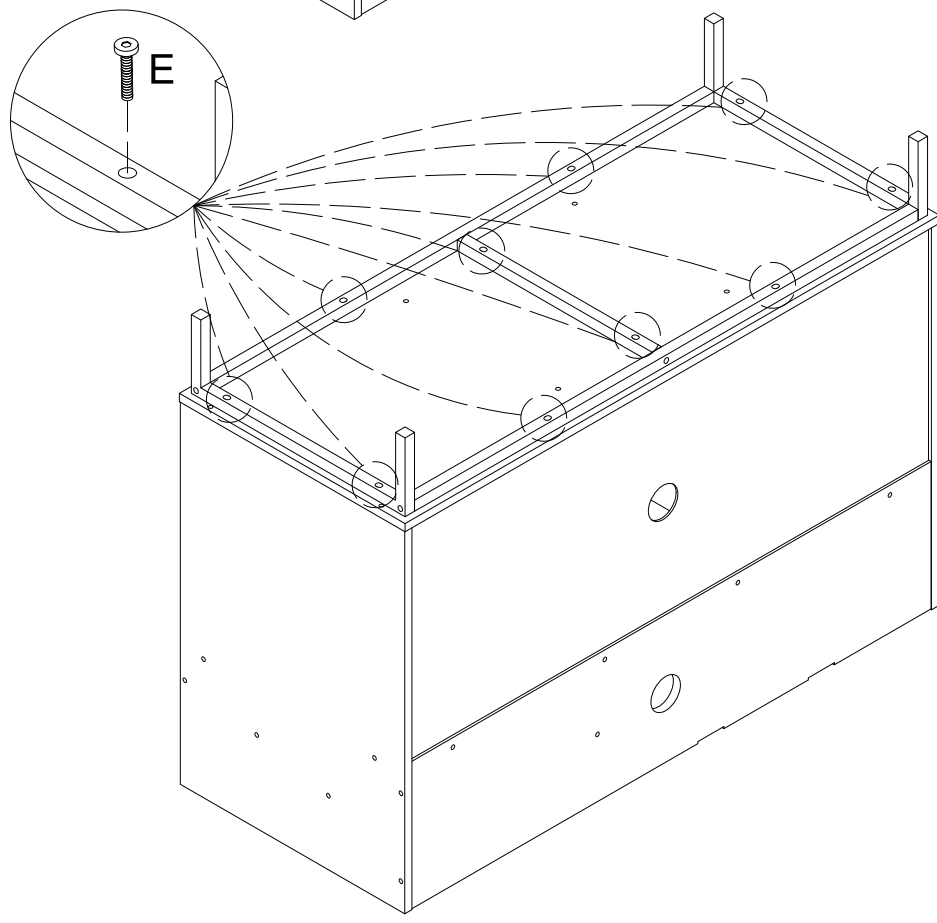
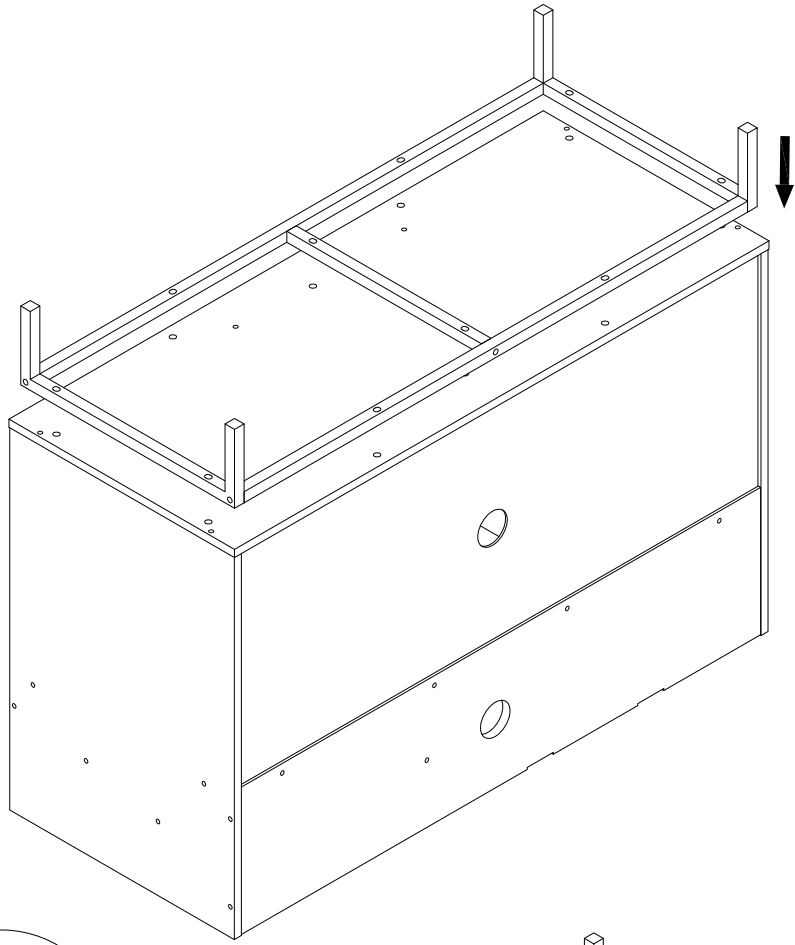


Ex4

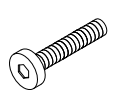


14

Put these iron frames and wooden boards together and connect them with ten screws.

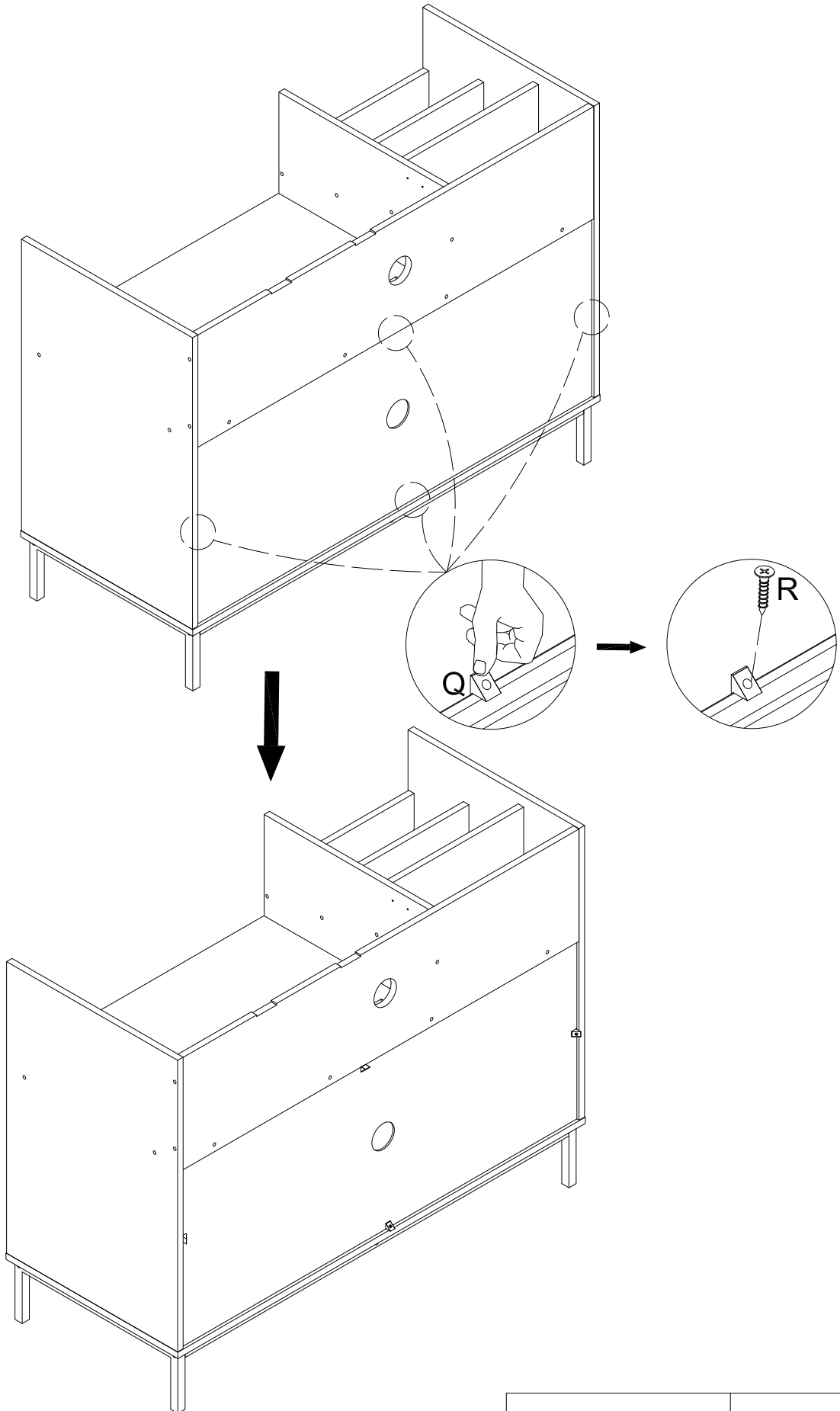


Ex10



15

Place the four backboards on the thin plate and secure them with four screws.



Qx4

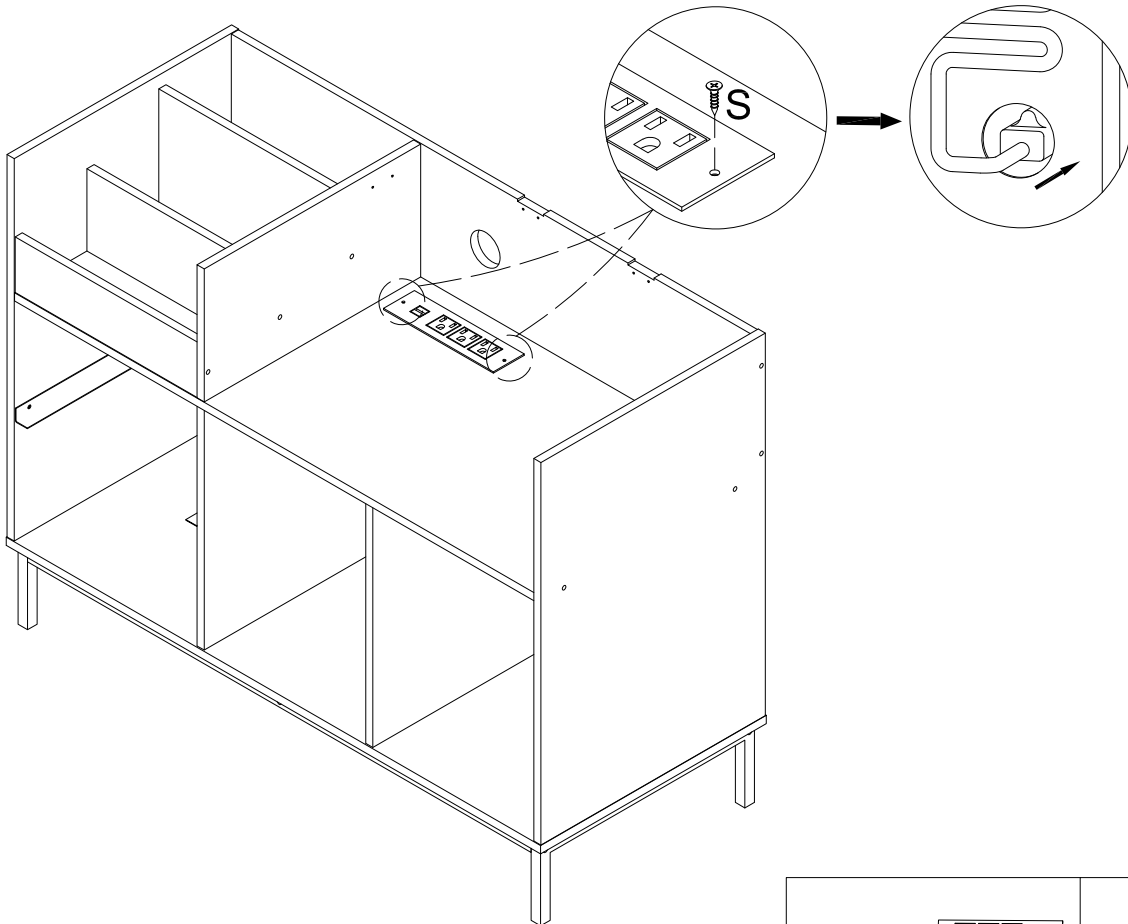
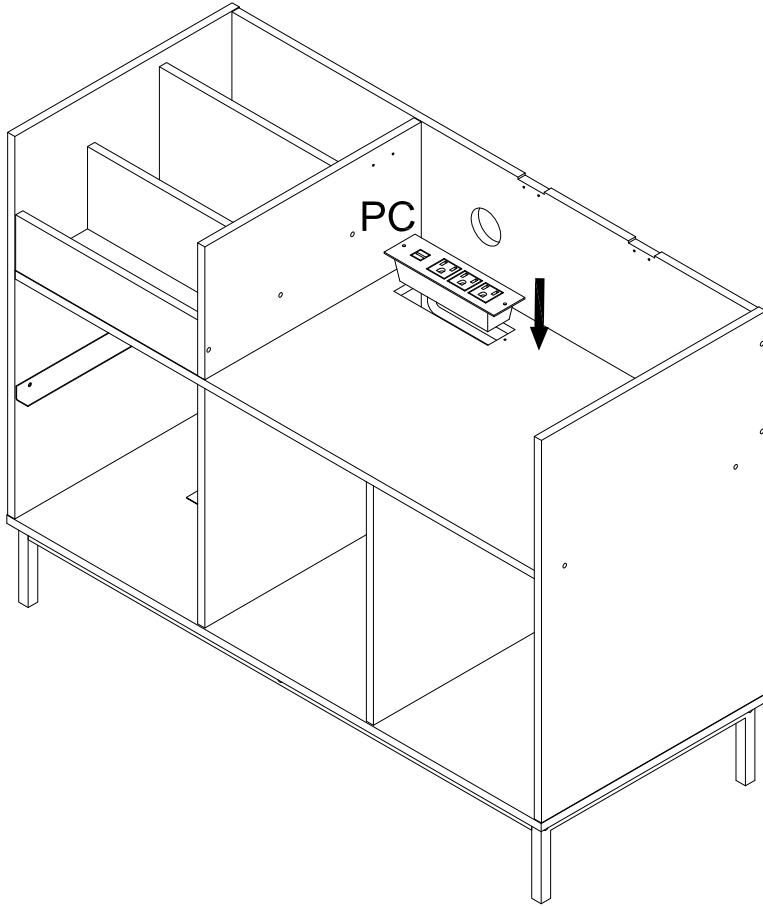


Rx4



16

Place the power socket on the board and secure them with two screws.

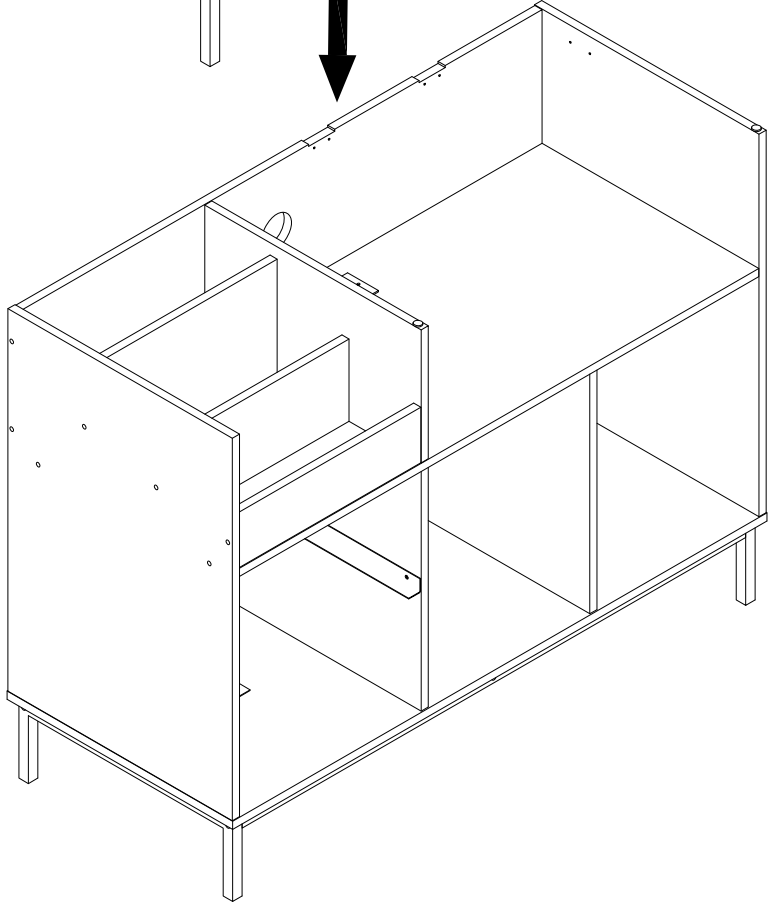
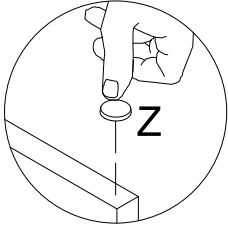
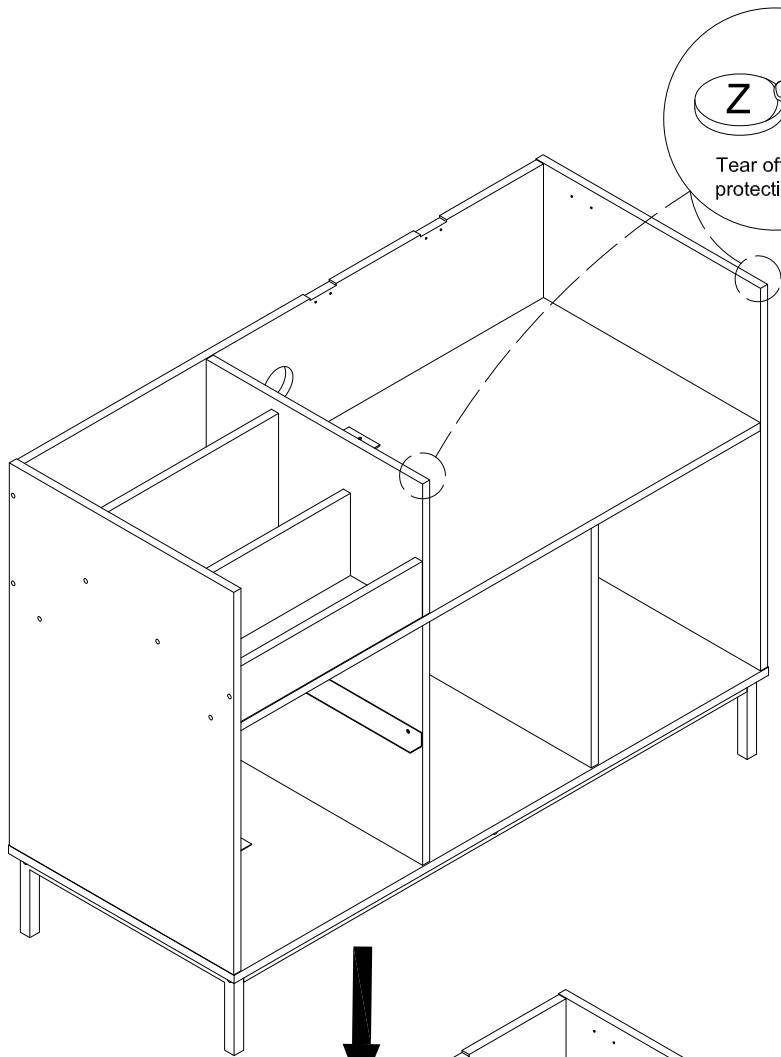



PCx1 

Sx2 

17

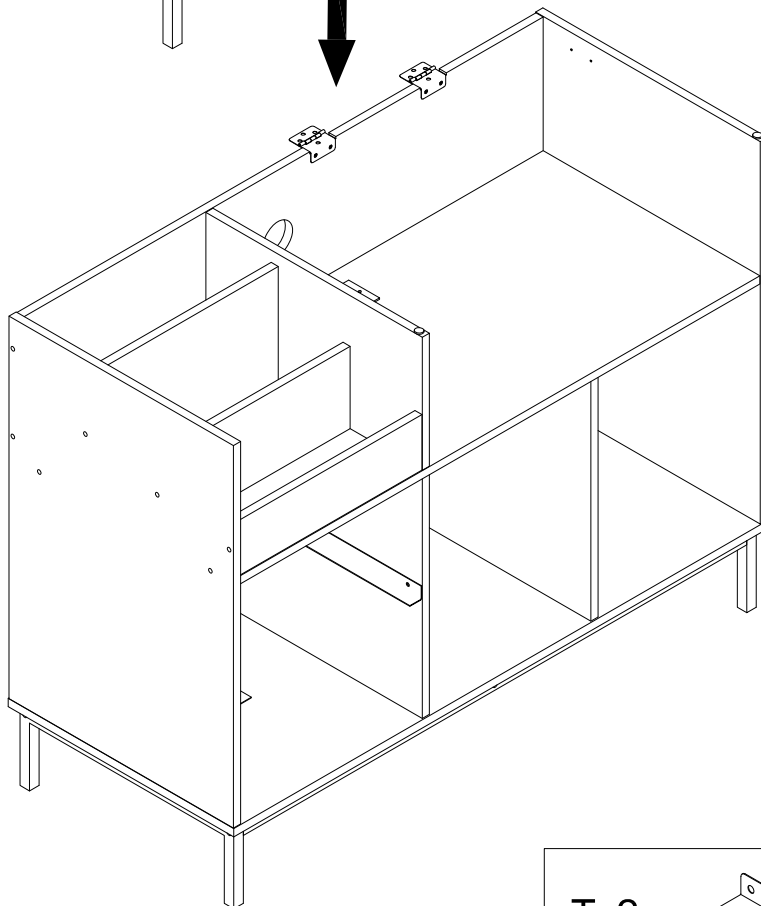
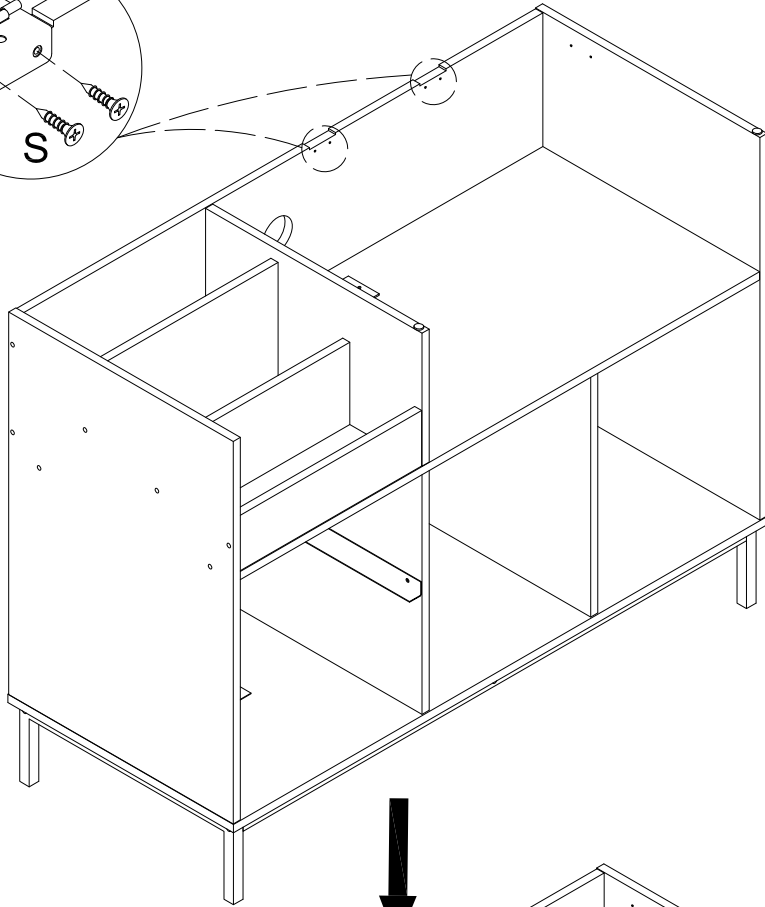
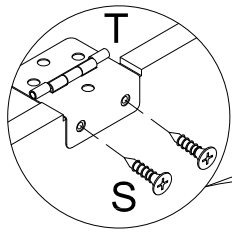
Place two silent washers on these two boards.



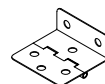
Zx2 

18

Fix the two hinges onto the board with four screws.



Tx2

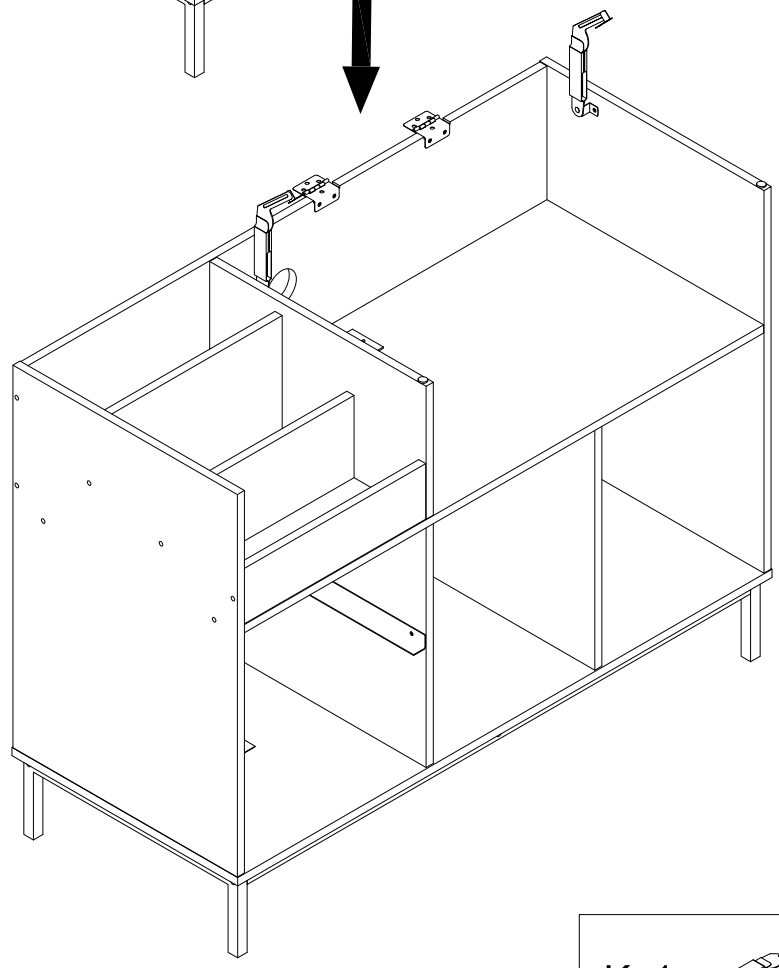
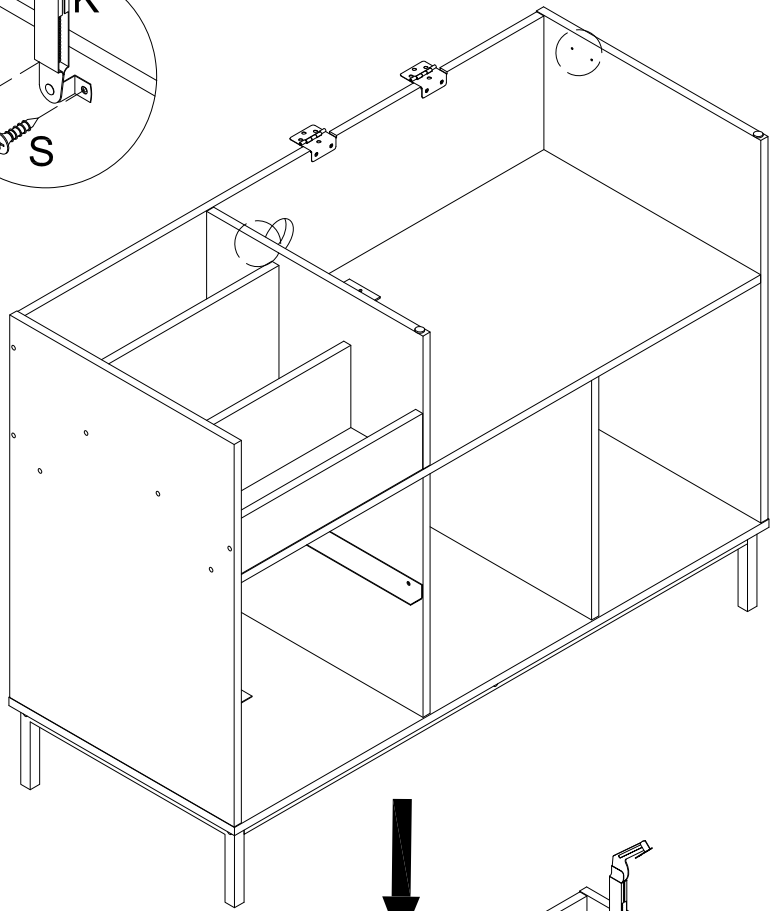
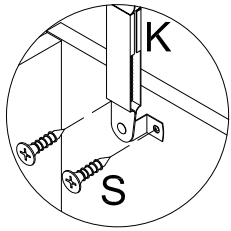


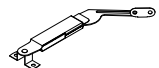

Sx4



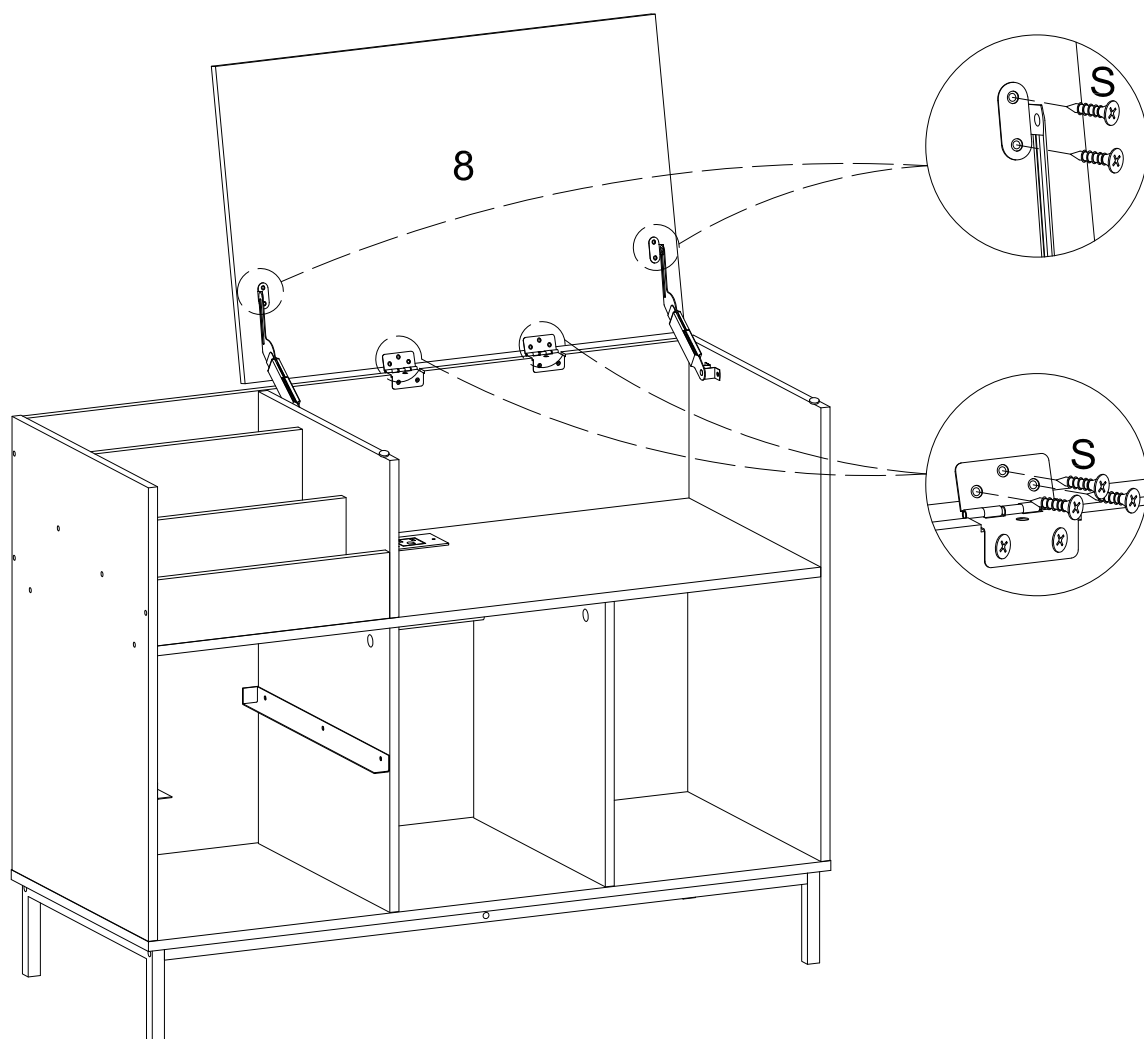
19

Place two spring benders on the plate and secure them with four screws.



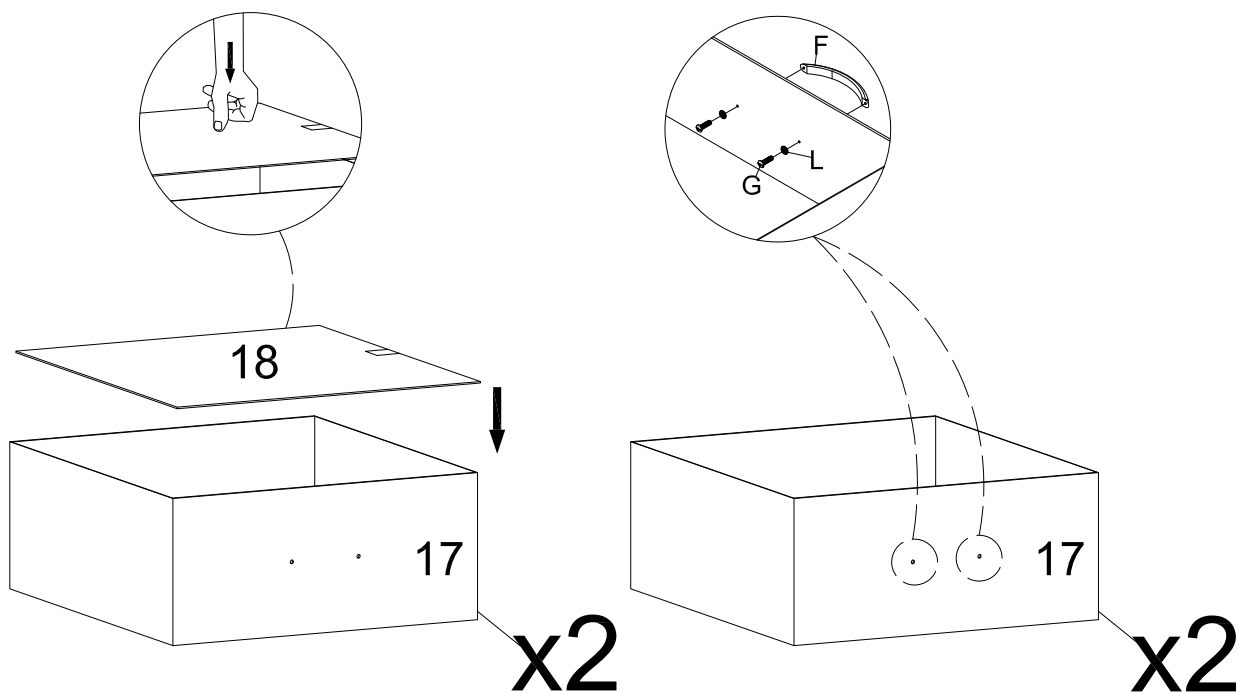
Kx1 	Sx4 
---	---

Take out this board and fix it with ten screws along with the spring wrench and hinge.



21

Pull two cloths together, place the padding inside and lock the handle with four nuts and padding.



Fx2



Gx4

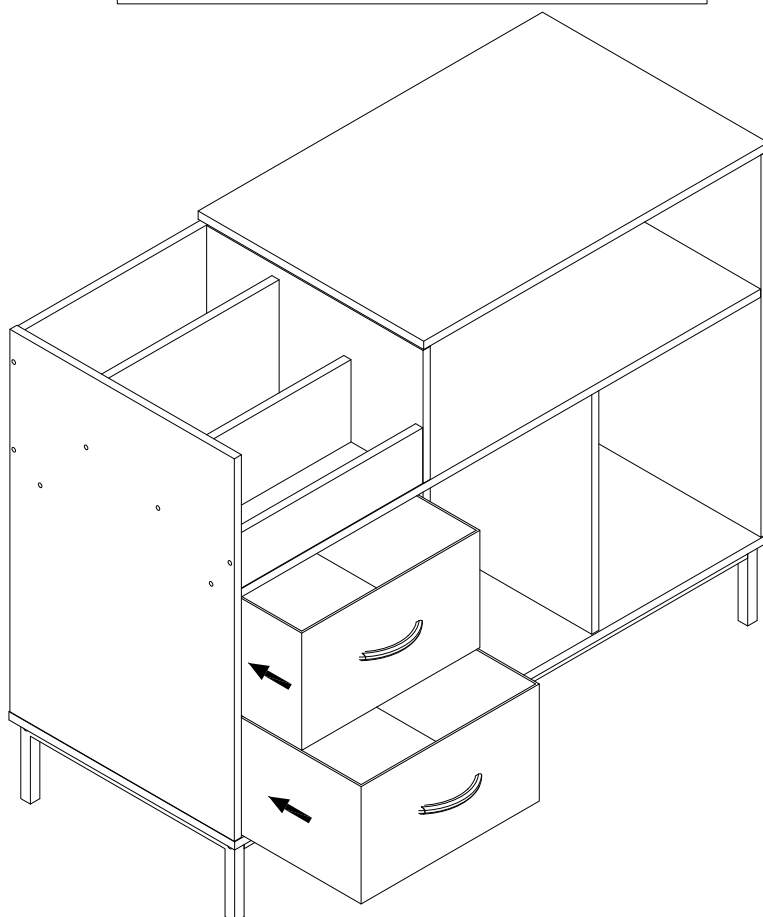


Lx4



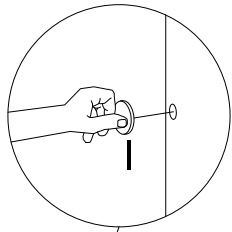
22

Put the fabric drawer into the drawer holder.

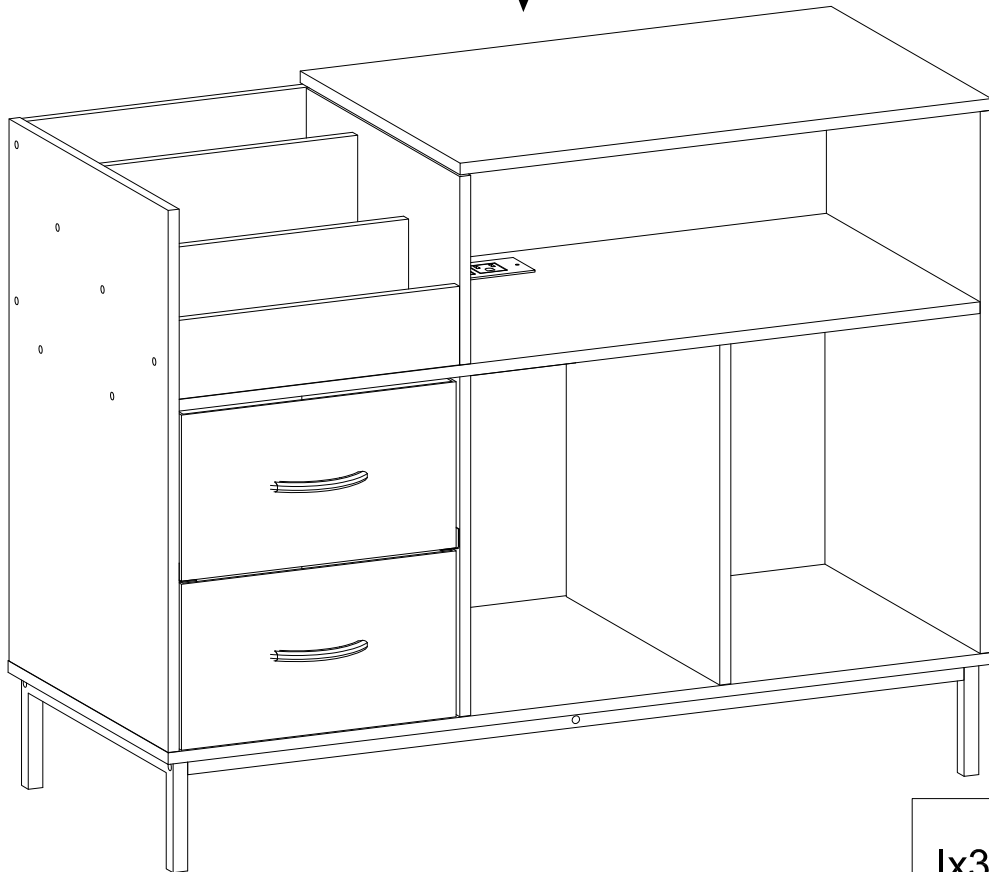
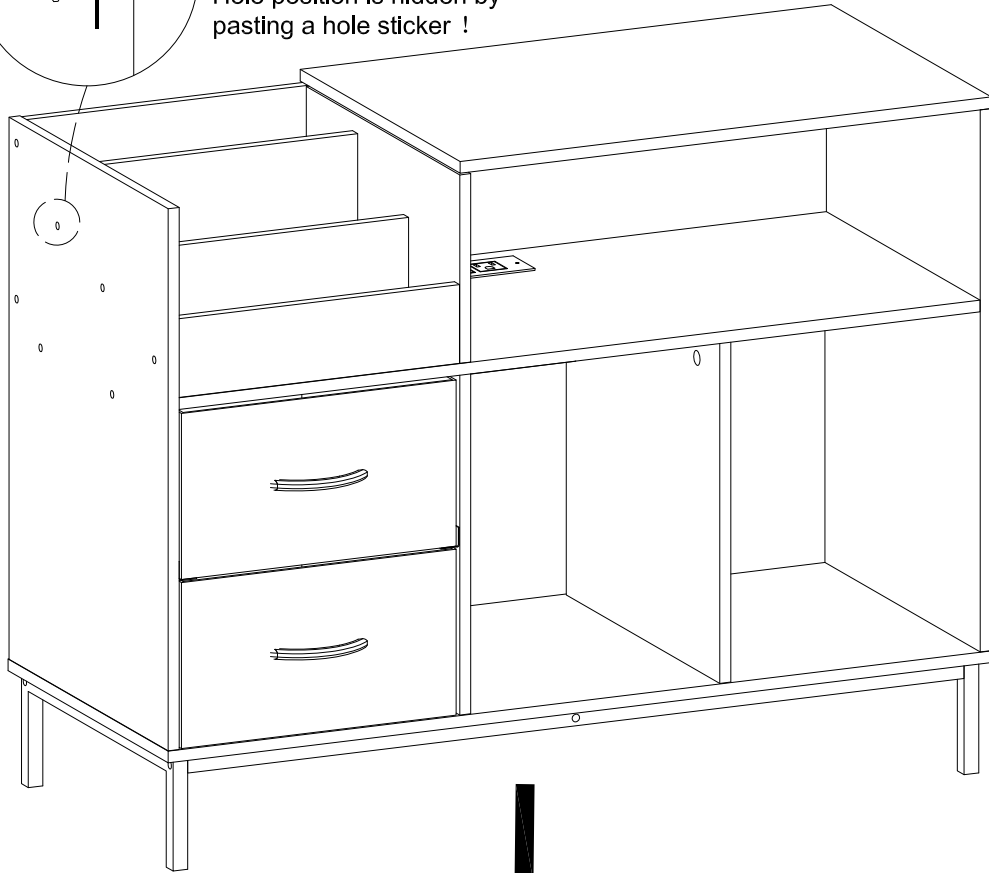


23

Attach visible holes with hole stickers.



Hole position is hidden by pasting a hole sticker !



Ix33

