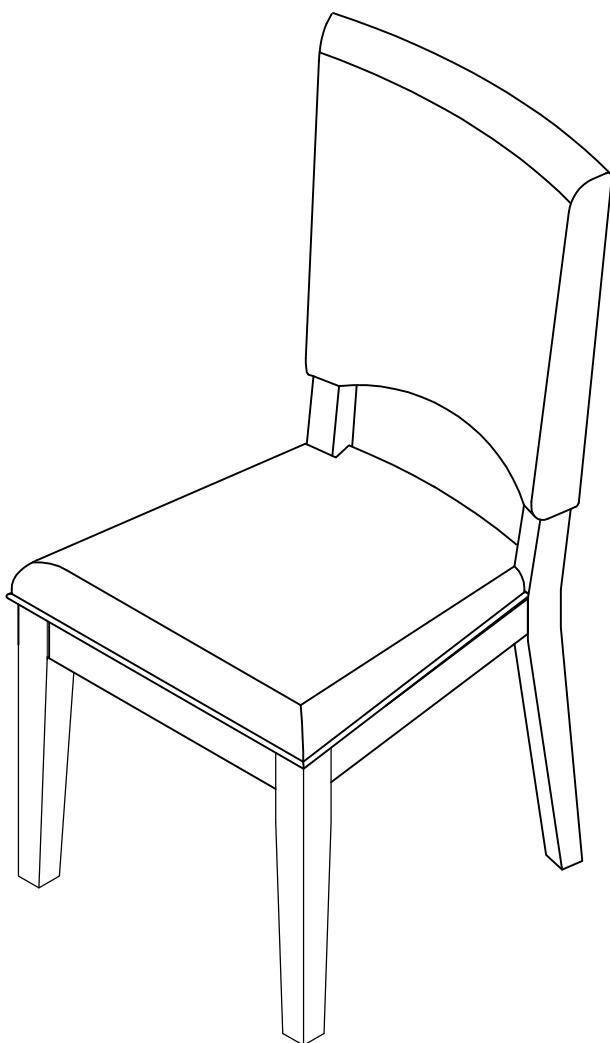


Dining Chair

Assembly Instruction



INTRODUCTION

Thank you for purchasing our products. Please read the instructions carefully before installation and keep it in a safe place for future reference. If you need any assistance or support, please feel free to contact our customer support team.

PRECAUTIONS

1. There are many components and accessories in the package. Each component and accessory is labeled with a letter or a number, check carefully before using any of them. Keep them away from children to prevent accidents.

2. Please install the product on a clean and soft underlay (such as carpet or cardboard) to avoid scratching or damaging the surface of the product.

3. The main components of the product is relatively heavy. Please pay attention to safety during installation.

4. The product is not stable during installation. Please do not move it randomly before it is completely installed.

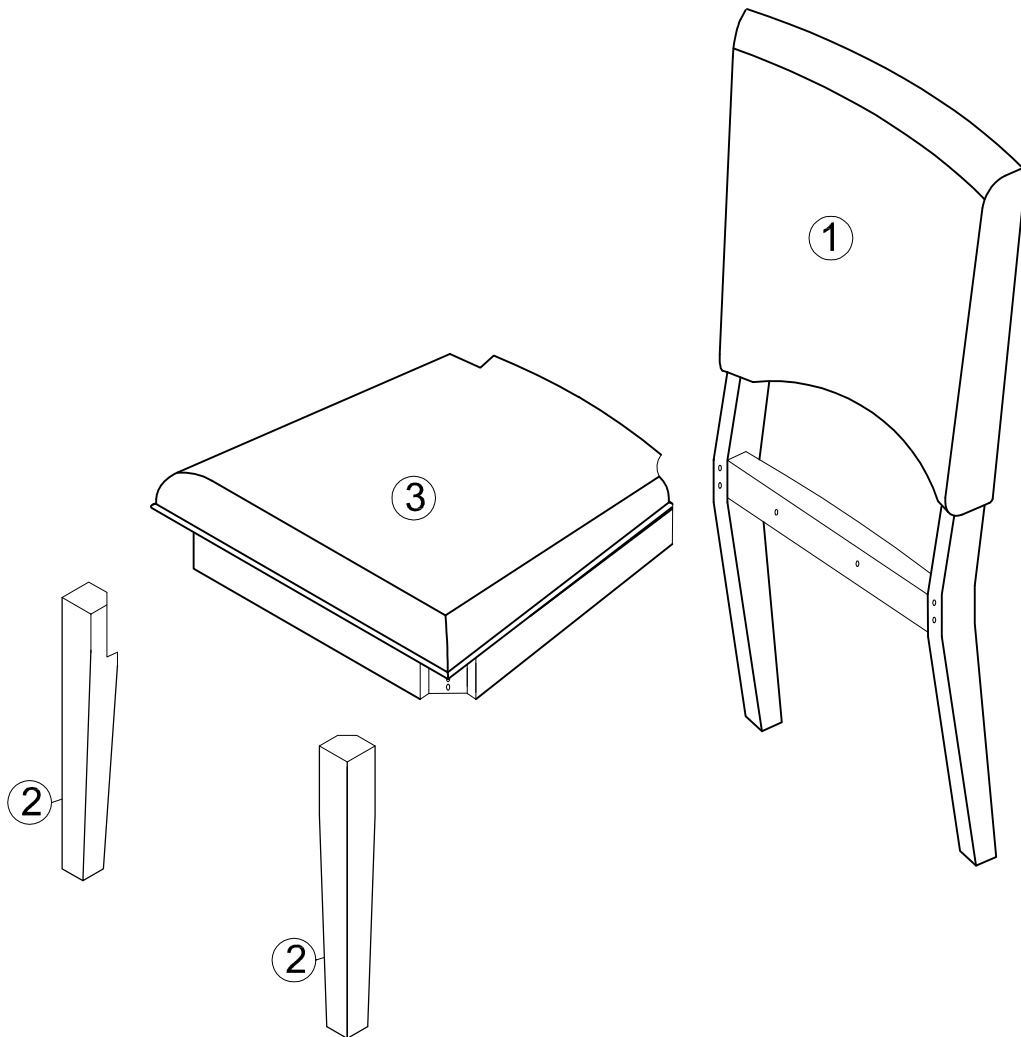
5. This product requires two people to install.

6. If you have any questions during installation, please contact the customer service in time.

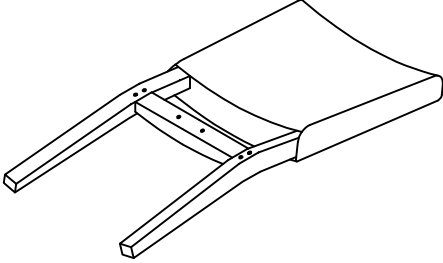
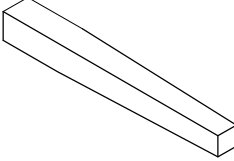
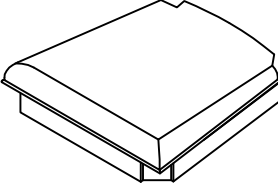
***PLEASE BE SURE TO FOLLOW THE INSTALLATION STEPS IN THE MANUAL TO AVOID UNNECESSARY LOSSES CAUSED BY IMPROPER INSTALLATION.**

***IF YOU NEED FURTHER ASSISTANCE, PLEASE CONTACT THE CUSTOMER SERVICE ONLINE.**


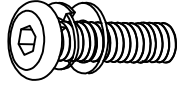
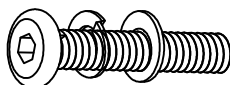
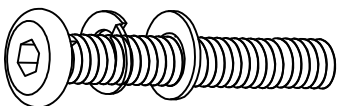
Parts List



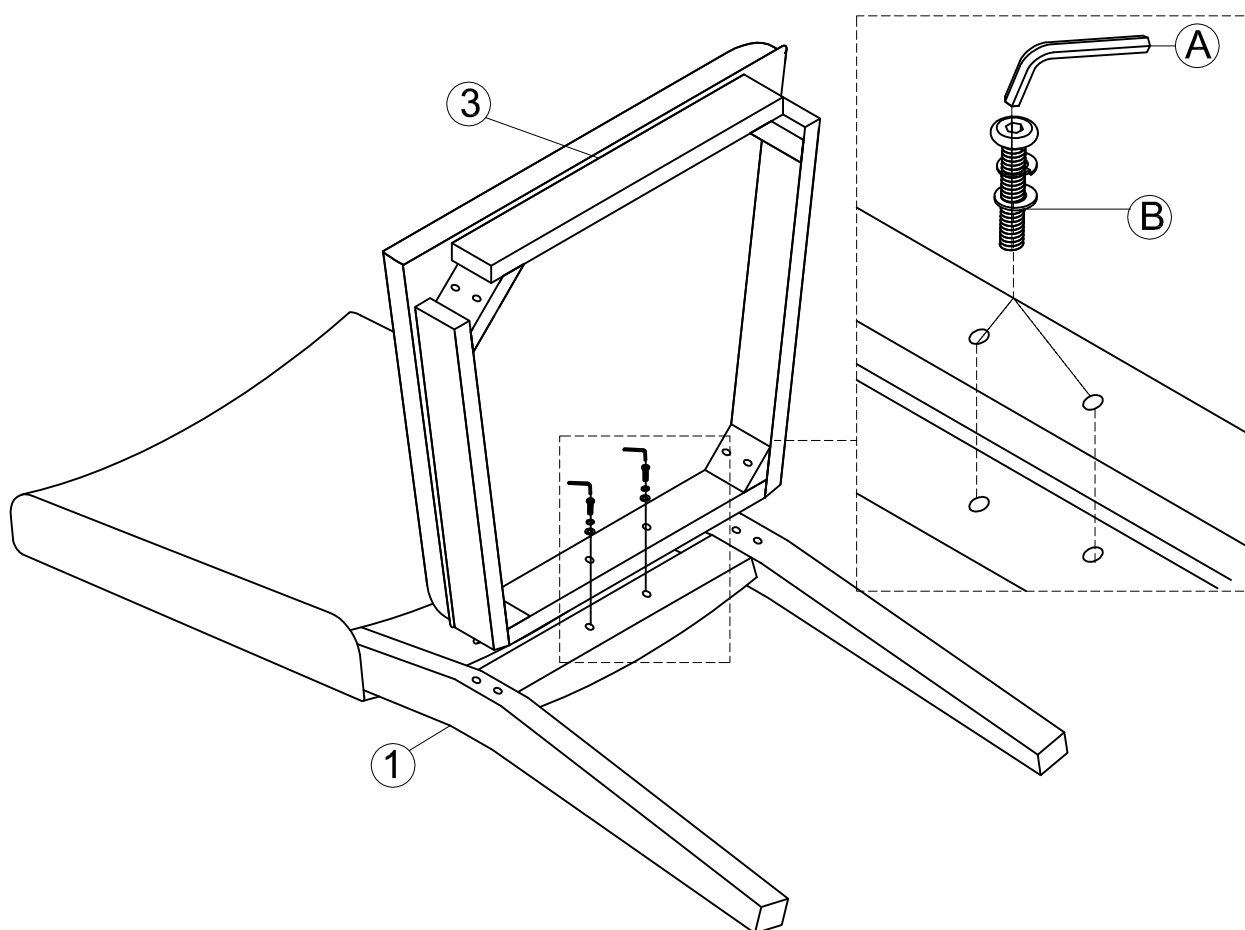
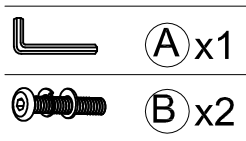
Parts List

<p>①</p>  <p>x1</p>	<p>②</p>  <p>x2</p>
<p>③</p>  <p>x1</p>	

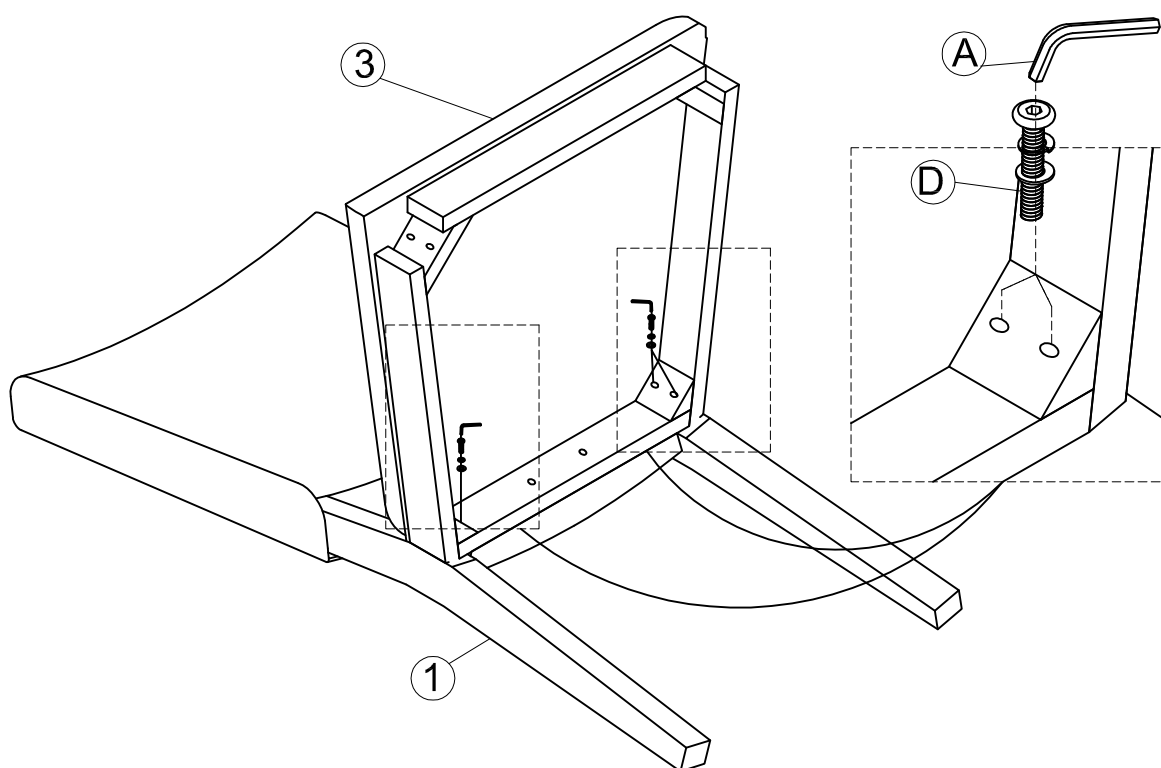
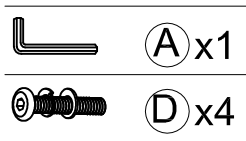
Hardware list

<p>Ⓐ</p>  <p>M 4mm</p> <p>x1</p>	<p>Ⓑ</p>  <p>5/16" x 1 1/2 "</p> <p>x2</p>
<p>Ⓒ</p>  <p>5/16" x 2 "</p> <p>x4</p>	<p>Ⓓ</p>  <p>5/16" x 3 "</p> <p>x4</p>

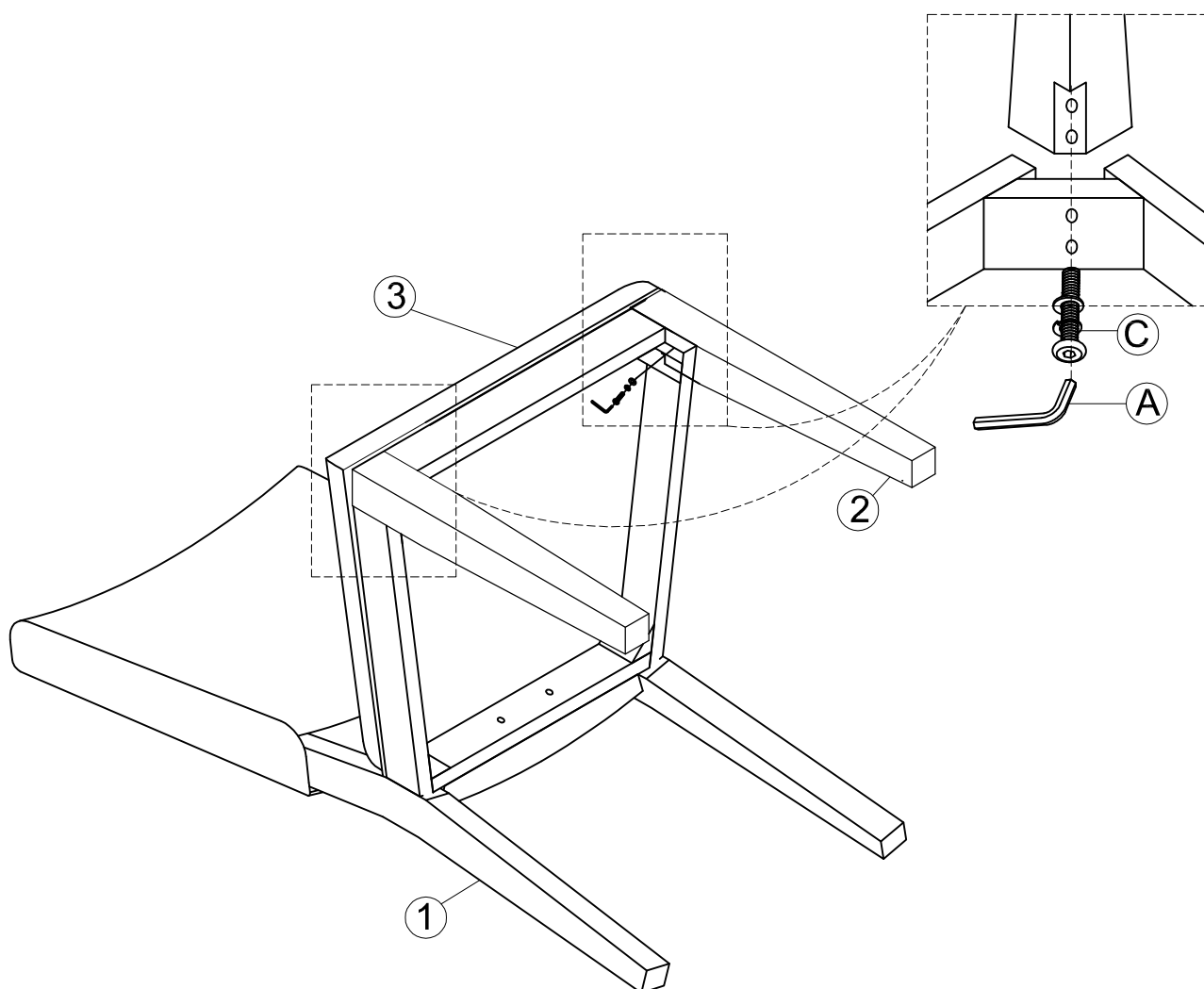
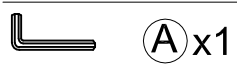
STEP 1



STEP 2



STEP 3



Wooden Furniture Care

Protect Your Investment

The beauty of furniture care is that it helps to protect your investment. Fine furniture is an important purchase. Proper care will help maintain your furniture's finish and ensure that it look great year after year.

Caring For Furniture

Caring for furniture is easy. Following a few simple guidelines will help extend the life of your furniture.

- *Always dust with a polish moistened cloth. Polish cushions the cloth, eliminating the scratching that occurs with dry dusting. Dust will scratch the furniture surface if not removed properly. Use a soft, clean cloth that won't scratch the surface. Avoid coarse or scratchy materials or fabrics.*
- *Avoid using soap and water on furniture. Water can penetrate the finish and raise the grain on wood, causing damage.*

The Enemies of Furniture

Many common problems in furniture care are caused by the elements. If you are aware of these troublemakers, the resulting damage can easily be avoided.

- *Sunlight's ultraviolet rays can damage wood finishes. Arrange furniture out of direct sunlight; use sun screening drapes during intense sunlight hours; rotate furniture in place and in room arrangements.*
- *Liquid spills will damage furniture if not removed promptly. Use coasters under beverage glasses saucers under cups and flowerpots. If a spill occurs, immediately blot it gently without rubbing the surface.*
- *Heat creates a chemical change in the furniture finish, which can result in a white spot. Use protective pads under hot dishes, utensils or cooking appliances.*
- *Cyclic changes in temperature can damage furniture. Hot blasts of air such as those found from central heating, should be avoided because they cause extreme localized drying of the wood.*

Tips for Better Dusting

- *Be sure to use the same type of polish consistently. Your furniture will appear cloudy or streaky if oil-based and wax-based polishes are interchanged.*
- *Always use a fine furniture polish when dusting. Never dry dust, as it could cause microscopic scratches on your furniture surface. Remember to change dusting clothes frequently since a dirty cloth may scratch your furniture's surface.*
- *Spray your furniture surface evenly, but not too generously. Wipe in a circular motion with a soft, clean cloth to clean and loosen the old polish.*
- *Then, buff until completely dry for a beautiful shine and a smudge-resistant finish. For wood trim, spray polish on the cloth first, then dust.*