

BOOKCASE

Installation Manuals

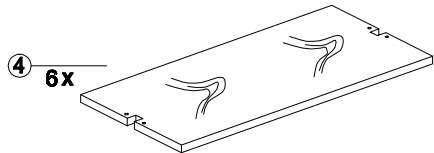
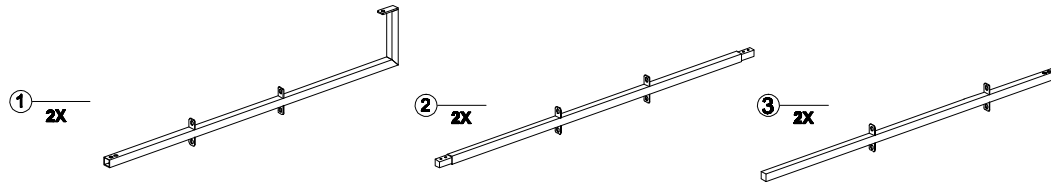
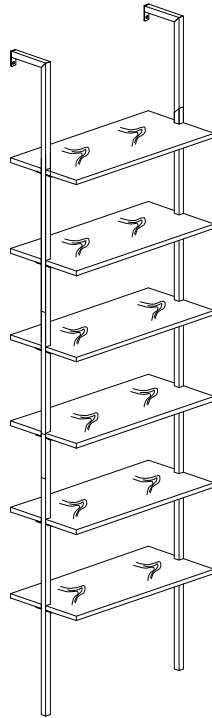
Thank you for choosing this bookcase.
 The manual is to help you use the product correctly, Please read the manual carefully and follow the guidance.





ATTENTION

A: We recommend that at least 2 people install the bookcase.

B: Cleaning with a soft cloth.

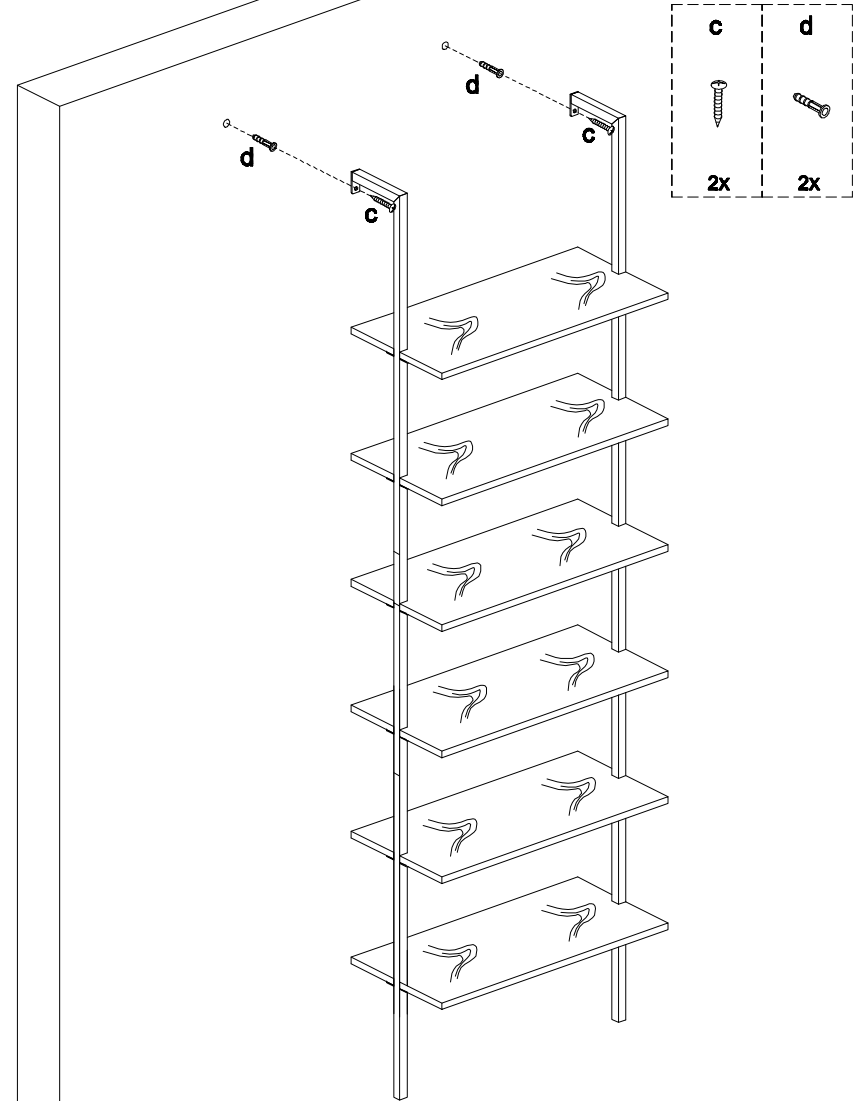
C: Each floor weight capacity 23kg.



a	b	c	d
			
11 1/4"	M4		
32x	1x	2x	2x

Setp 5

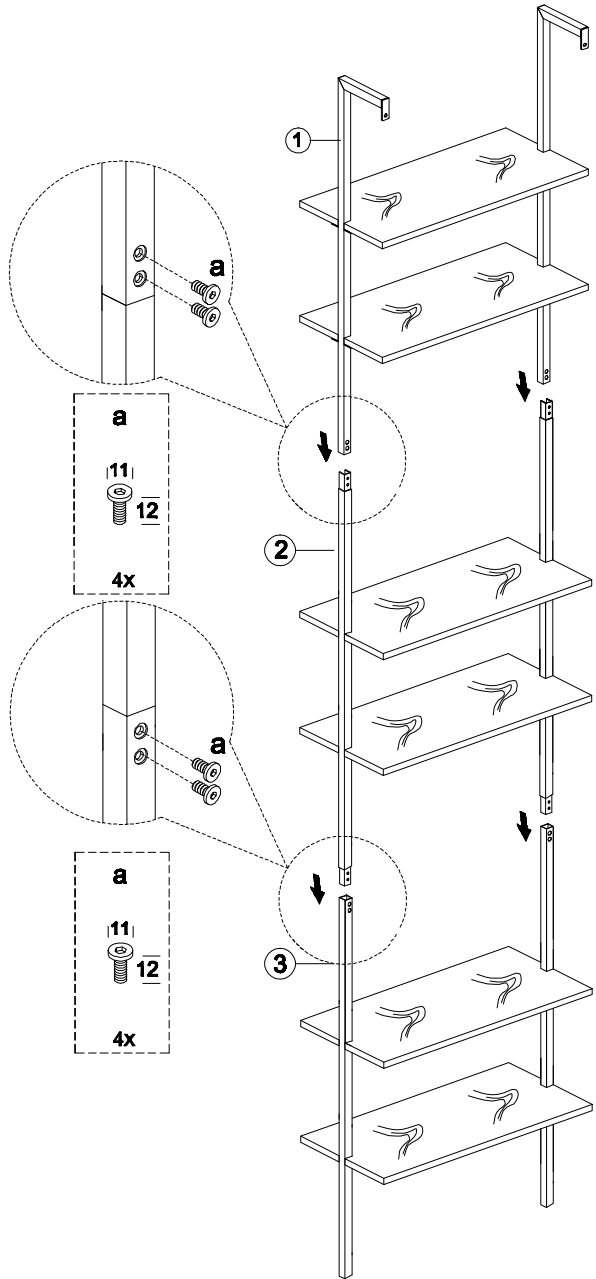
After drilling the wall and installing the plug (d), fix the shelf to the wall with screws (c)



Setp 4

The upper and lower parts of the shelf are combined.

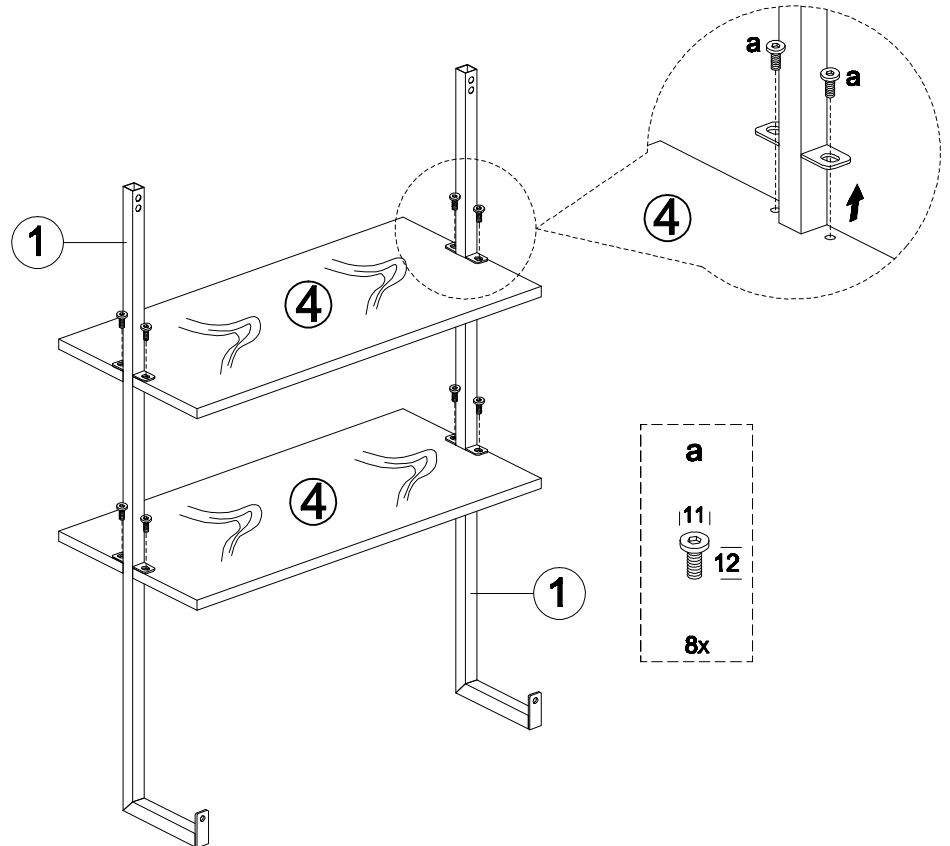
And use the 1/4"x12mm screws to fixed



Setp 1

Place iron tube(1) upside down and fitted to the board (4) align with the U groove.

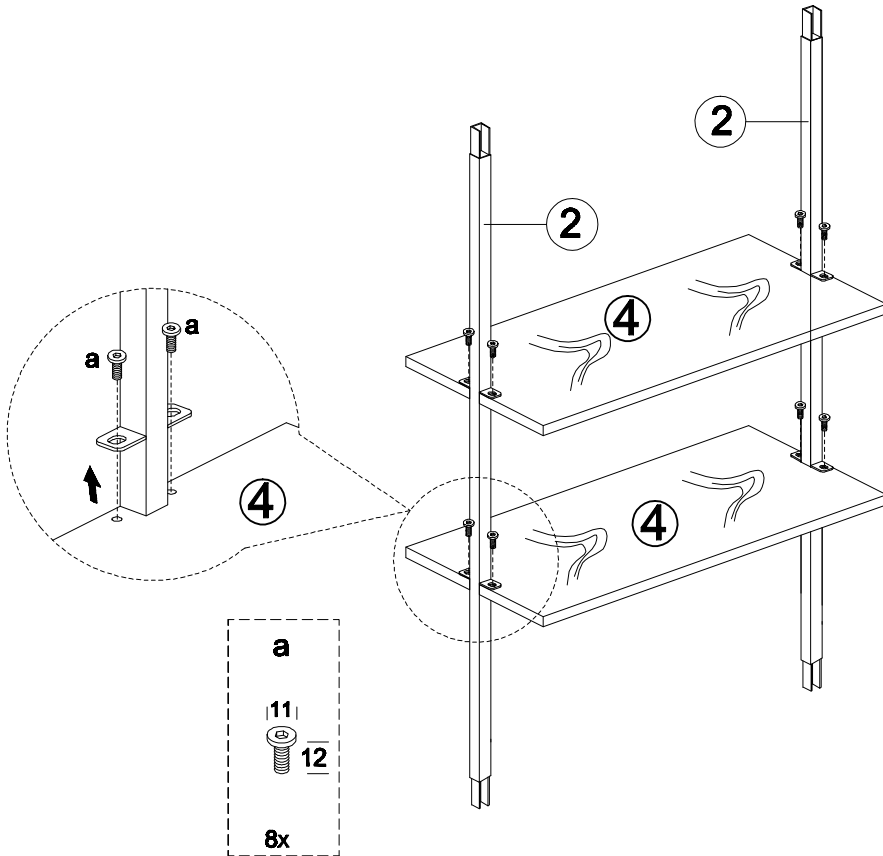
Use this 1/4"x12mm screws to fixed.



Setp 2

Place the iron tube(②) upside down and fitted to the board(④)align with the U groove.

Use this 1/4"x12mm screws to fixed



Setp3

Place the iron tube(③) upside down and fitted to the board(④)align with the U groove.

Use this 1/4"x12mm screws to fixed

