

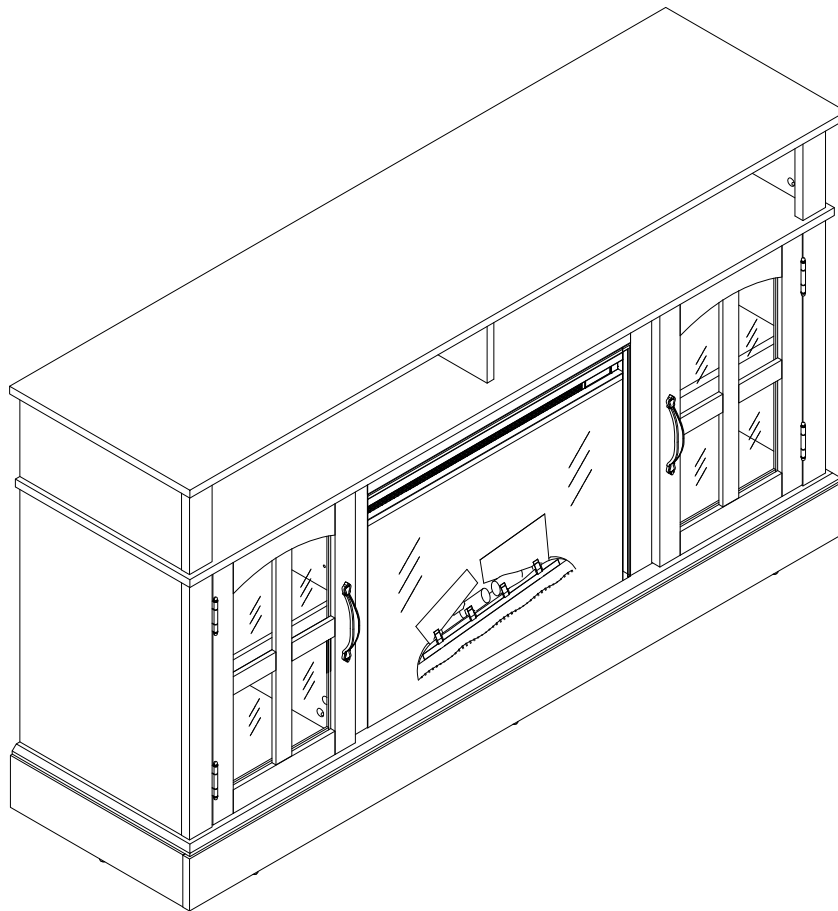
# 58"TV MEDIA ENTERTAINMENT CENTER WITH ELECTRIC FIREPLACE

## ASSEMBLY, CARE & USE INSTRUCTIONS



### NOTE:

Comes with TWO PACKAGES with TWO TRACKINGS, may NOT be delivered at the same time.



## Rustic White

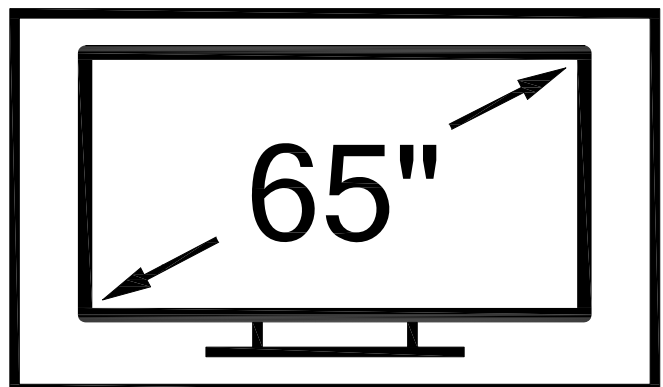
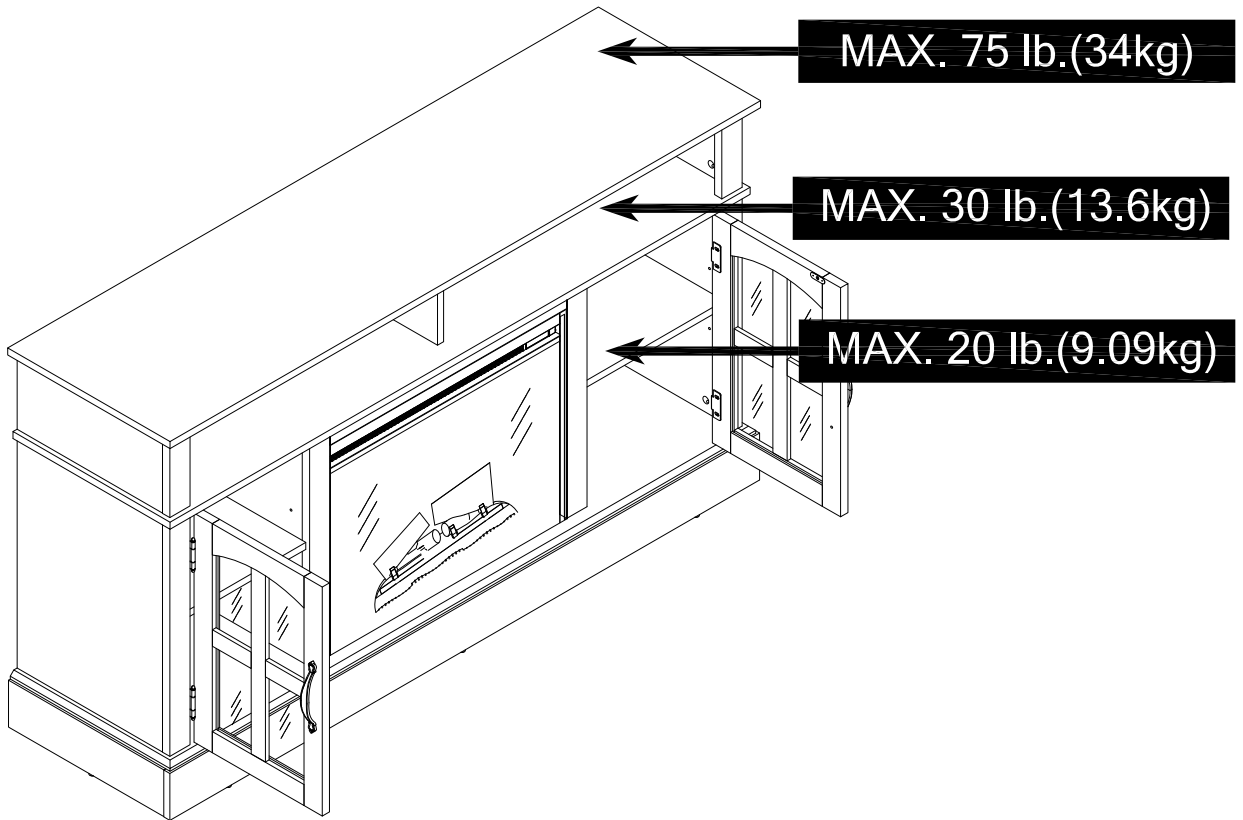
---

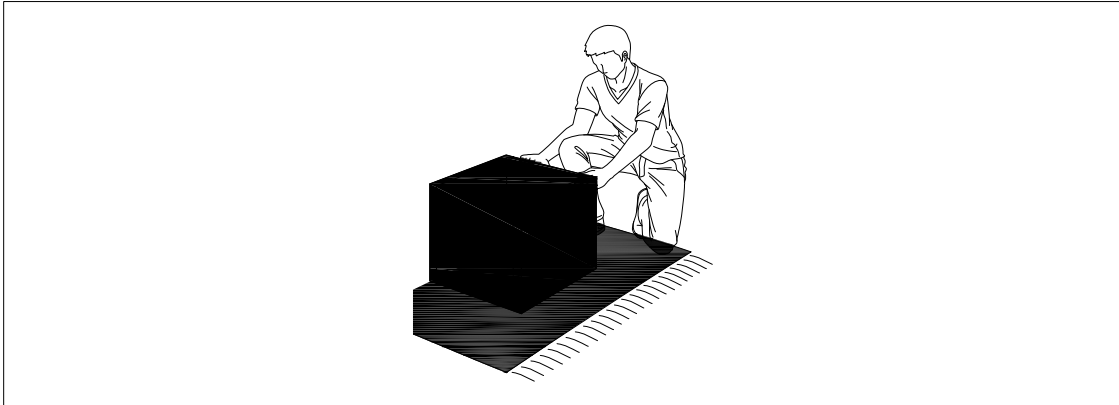
Thank you for your trust in purchasing our electric fireplace media mantel. We are committed to continuously developing quality products designed to enhance your home. For more information and to view our full range of products available for your home improvement needs.

**CAUTION:** This unit is intended for use only with the products and maximum weights indicated. Use with other products or products heavier than the maximum weights indicated may result in instability causing possible injury.  
Note: Flat Panel TVs with base support should be placed squarely in the center of the stand with no overhang on any side.



Weight limitations are as follows:

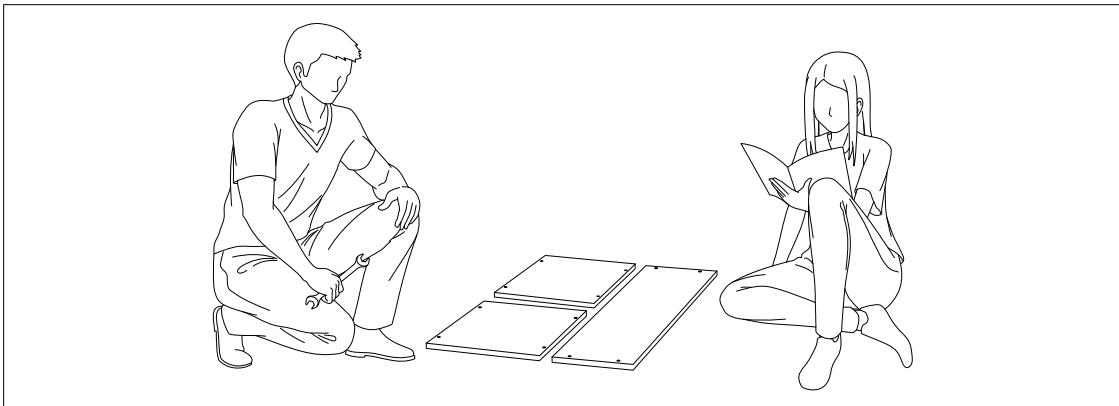




Assemble the furniture on an empty carton, carpet, or rug to prevent scratches or damage.

For safety, please keep pets and children away from the assembly area.

Ensure the product is fully assembled before use. If you are missing any hardware or products, do not use it until you have restored the missing parts.



This furniture requires 2 people for assembly.

Read this instruction manual prior to assembly to familiarize yourself with the various steps.

Lay out all components and hardware separately on a flat surface and make sure that no parts are missing or damaged before assembly. Do not destroy or discard any packaging until you are certain that you have all the necessary parts for assembly.

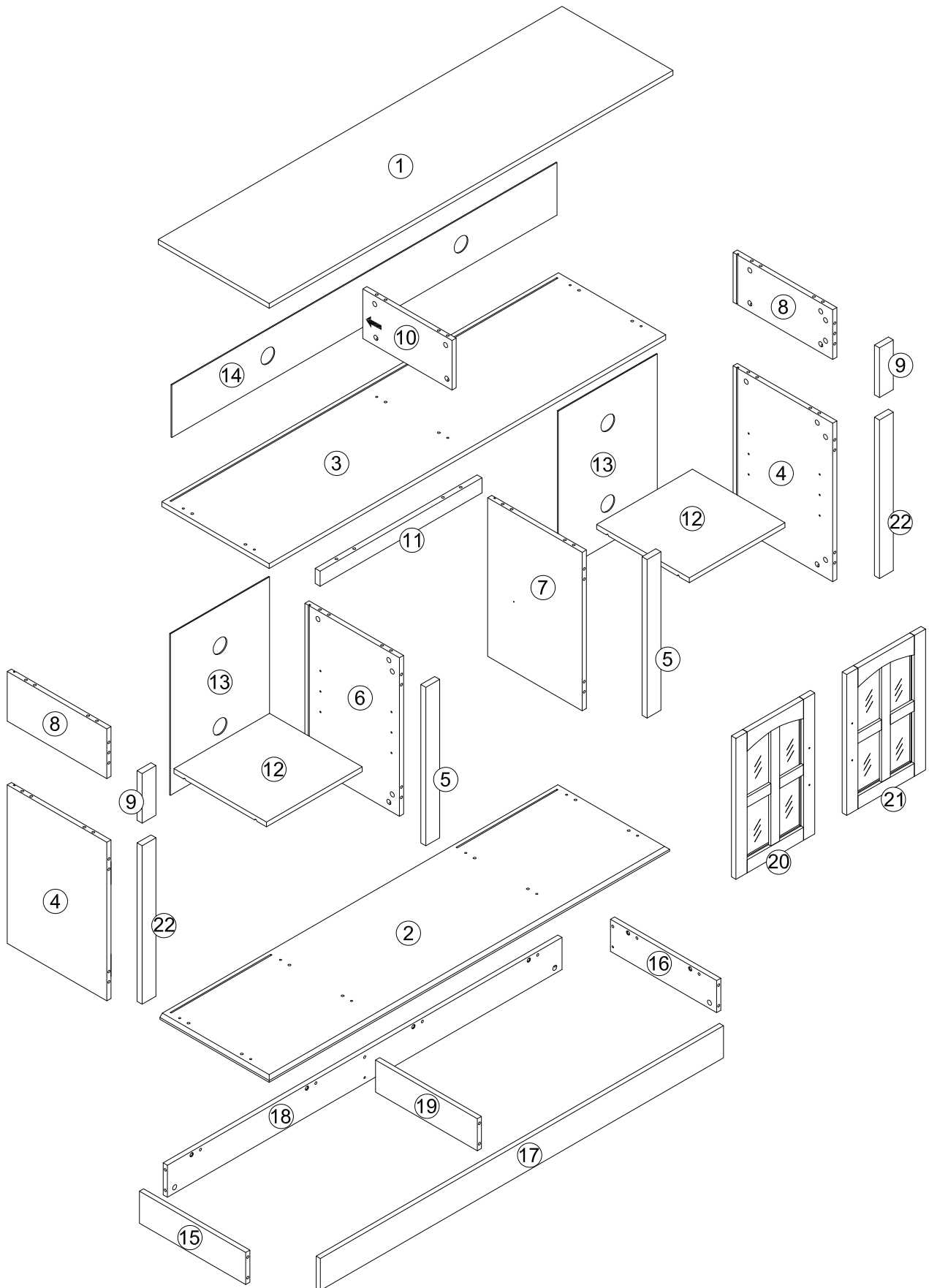
Hand tight all hardware and careful not to over tighten to avoid damaging the product.

## **CAUTION**

There are small components used in the construction of this product. Loose items should be kept away from pets and children to avoid a choking hazard.

Keep all plastic bags and packaging film away from pets and children to avoid suffocation

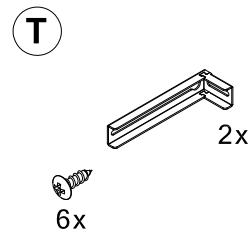
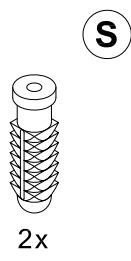
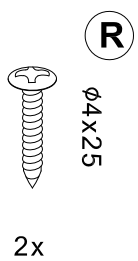
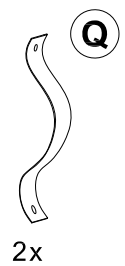
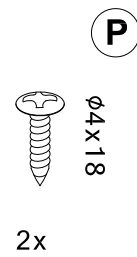
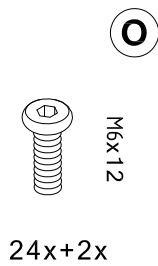
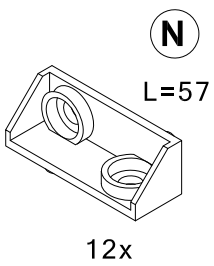
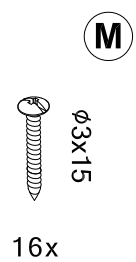
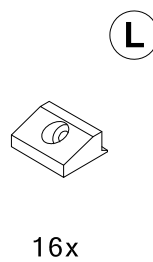
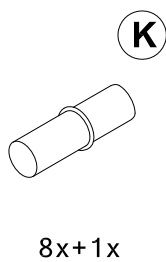
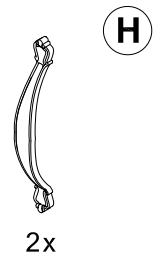
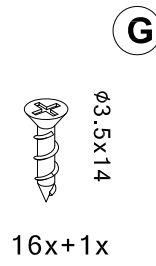
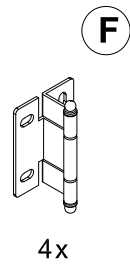
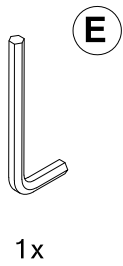
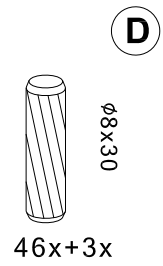
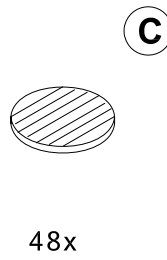
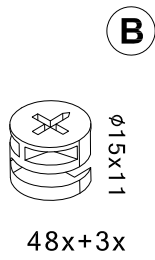
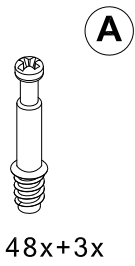
# PACKAGE CONTENTS



# PACKAGE CONTENTS

CODE	DESCRIPTION	QTY
1	Top Panel	1
2	Bottom Panel	1
3	Upper Shelf Panel	1
4	Bottom Side Panel	2
5	Bottom Medial Support Strip	5
6	Left Bottom Medial Panel	1
7	Right Bottom Medial Panel	1
8	Upper Side Panel	2
9	Upper Support Strip	2
10	Upper Medial Panel	1
11	Crossbar	1
12	Shorage Shelf Panel	2
13	Bottom Back Panel	2
14	Upper Back Panel	1
15	Left Base Panel	1
16	Right Base Panel	1
17	Front Base Panel	1
18	Back Base Panel	1
19	Center Base Panel	1
20	Left Door	1
21	Right Door	1
22	Bottom Left Right Support Strip	2

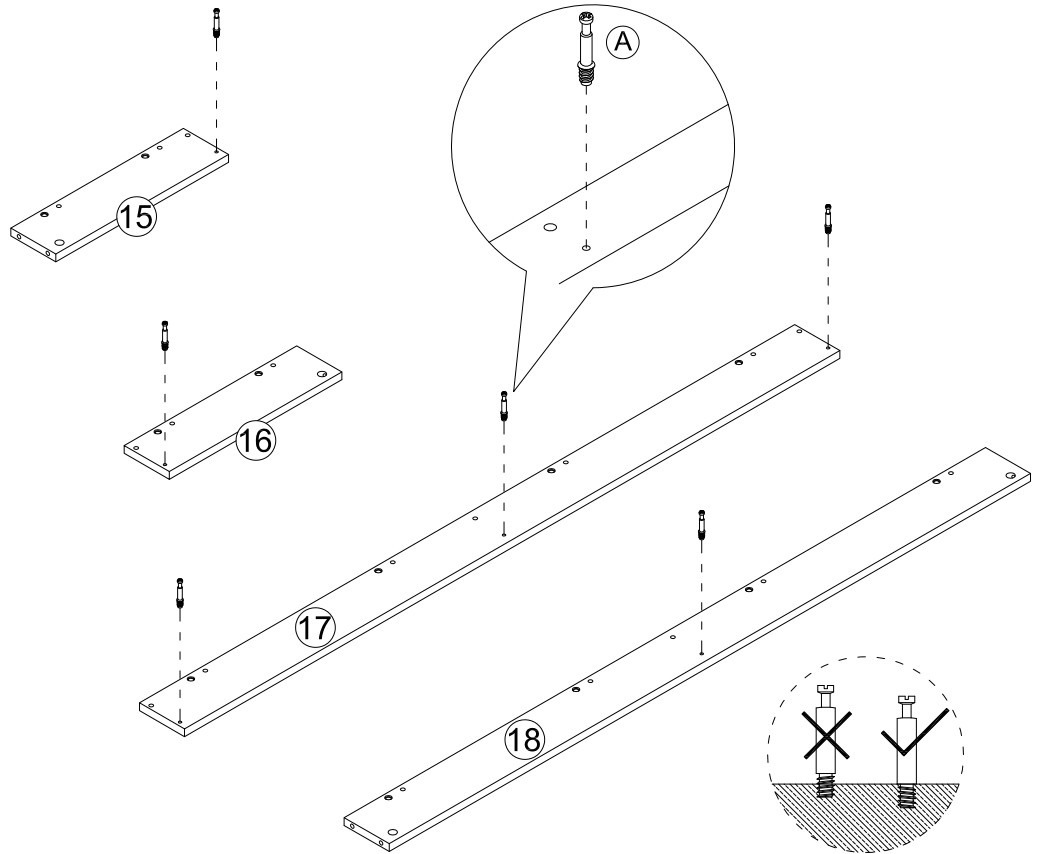
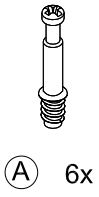
# PACKAGE CONTENTS



Install all hardware perpendicular to the opening.

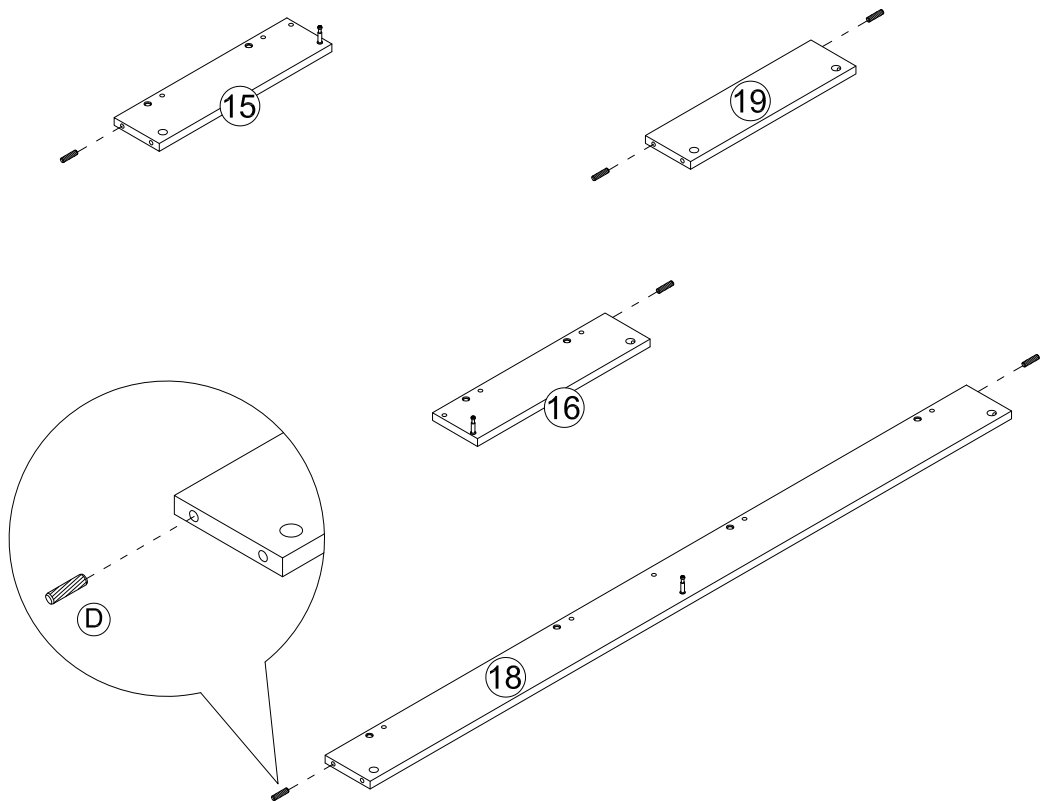
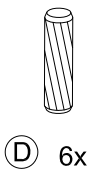
1

Insert cam bolts to the Left, Right, Front and Back base panels (15,16, 17, 18)



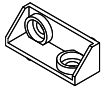
2

Insert wood dowels to the Left, Right, Back and Center base panels (15,16,18,19)

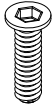


# 3

Attach corner connectors to the Left, Right, Front and Back base panels (15,16, 17, 18)



(N) 12x

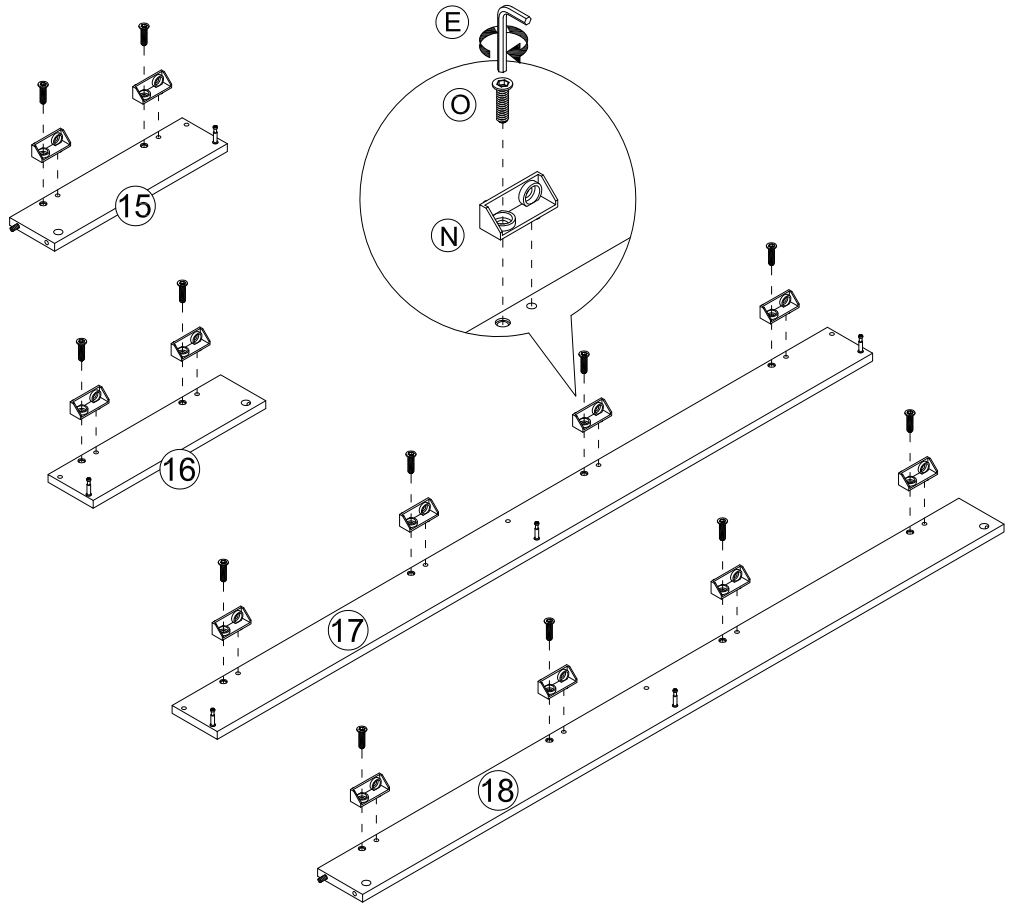


M6x12

(O) 12x



(E) M4



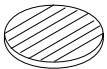
# 4

Assemble the Left, Right, and Center base panel (15,16,19) to the Back base panel (18)

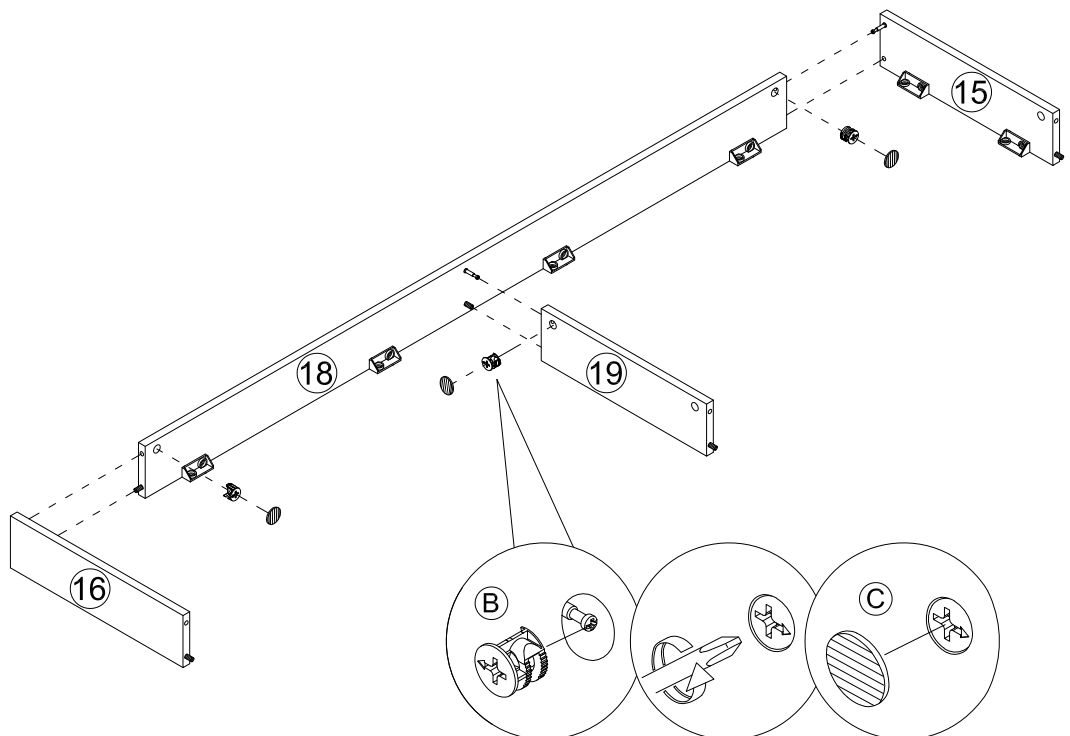


∅15x11

(B) 3x

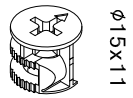


(C) 3x

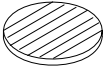


# 5

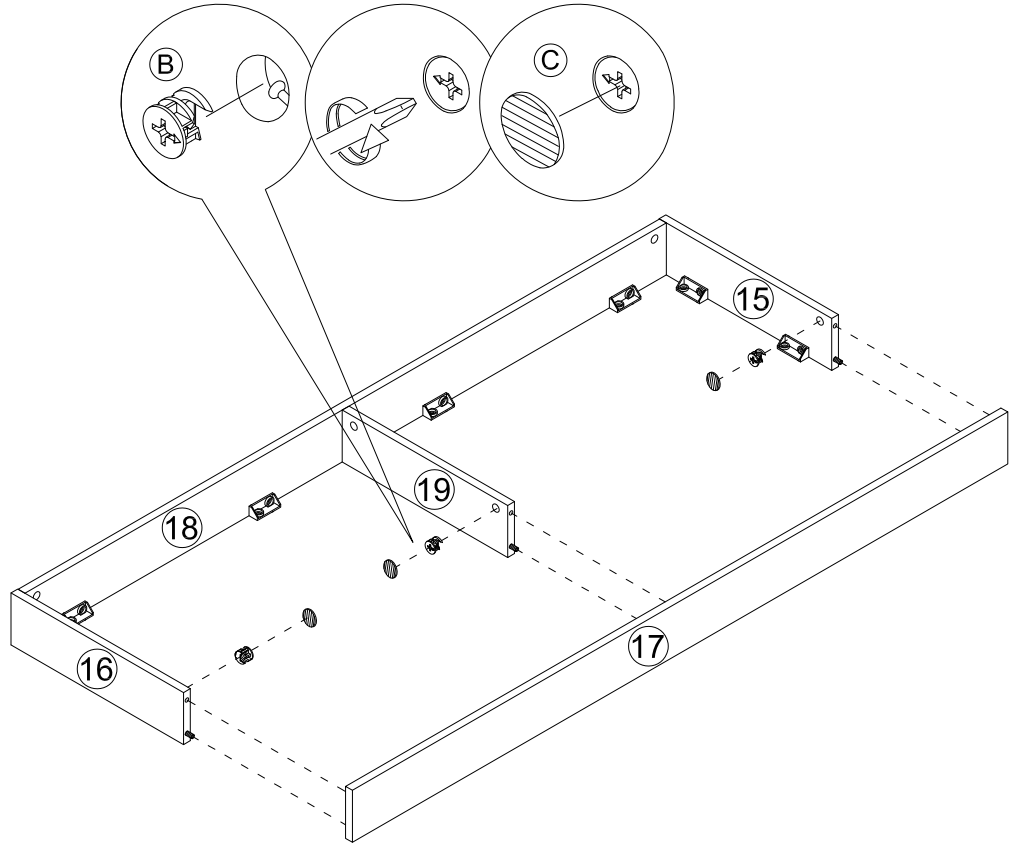
Assemble the Front base panel (17) to the base assembly



B 3x

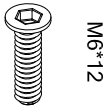


C 3x



# 6

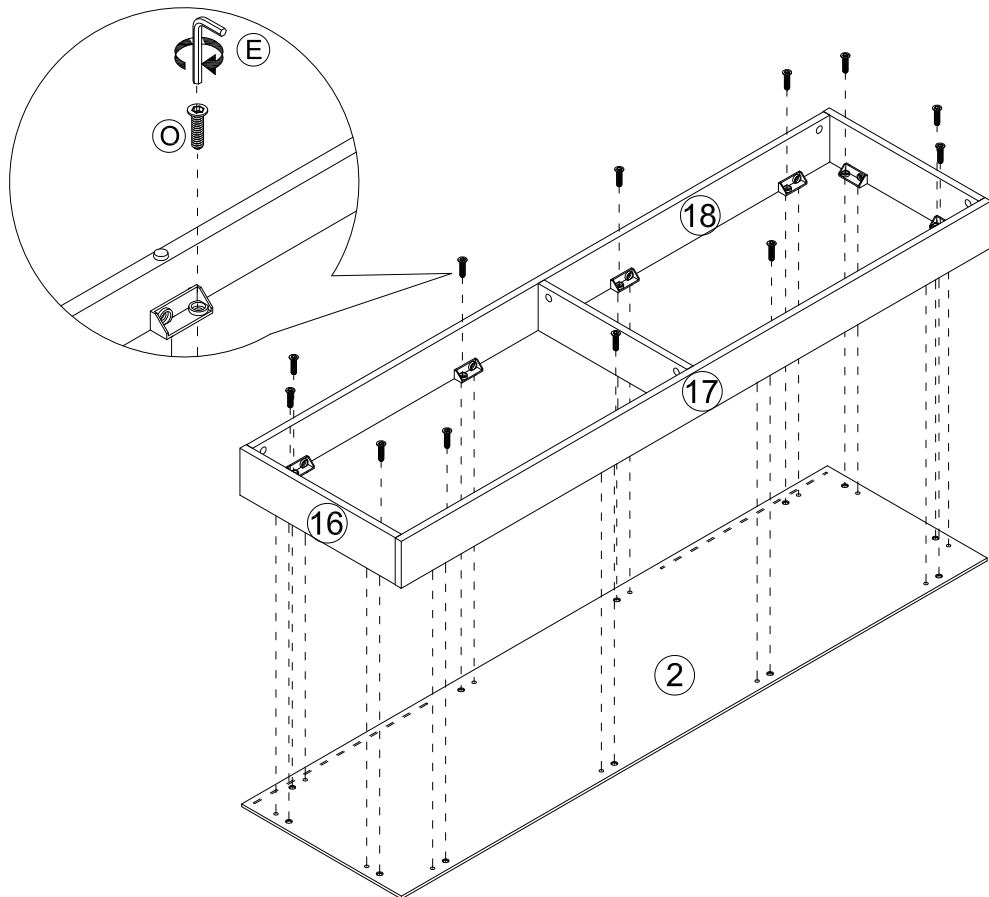
Assemble the base assembly to the underside of the bottom panel (2).



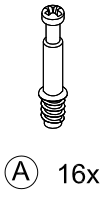
C 12x



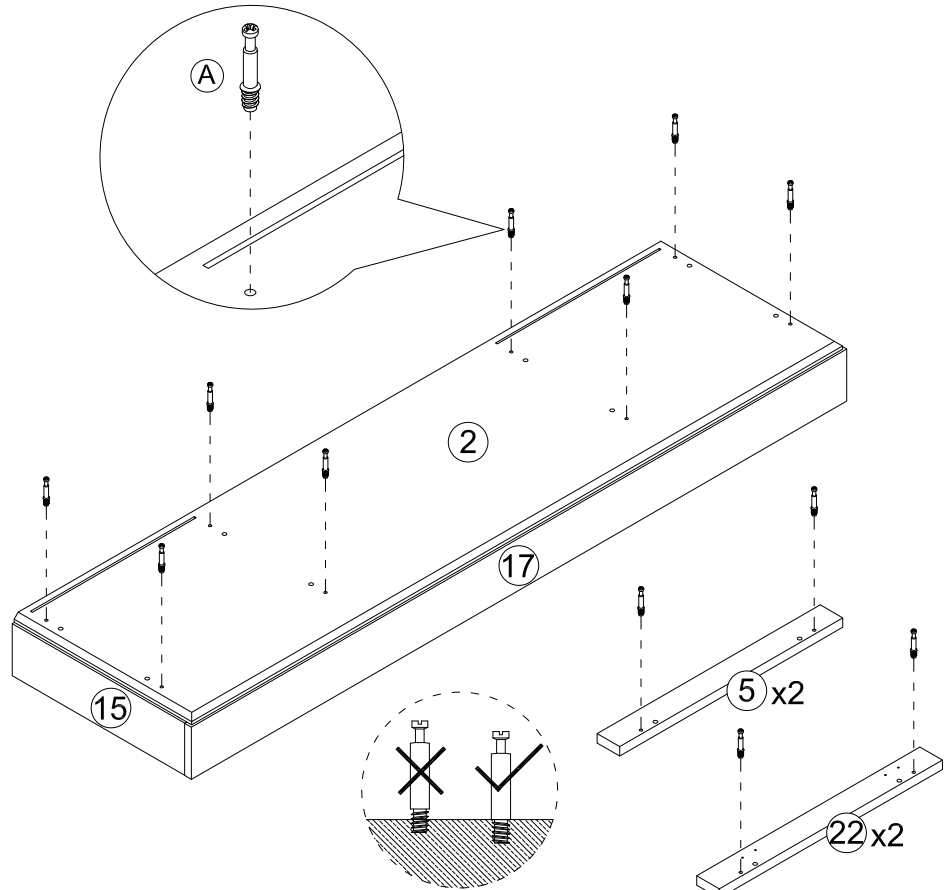
E M4



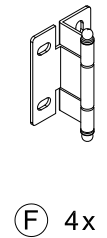
# 7



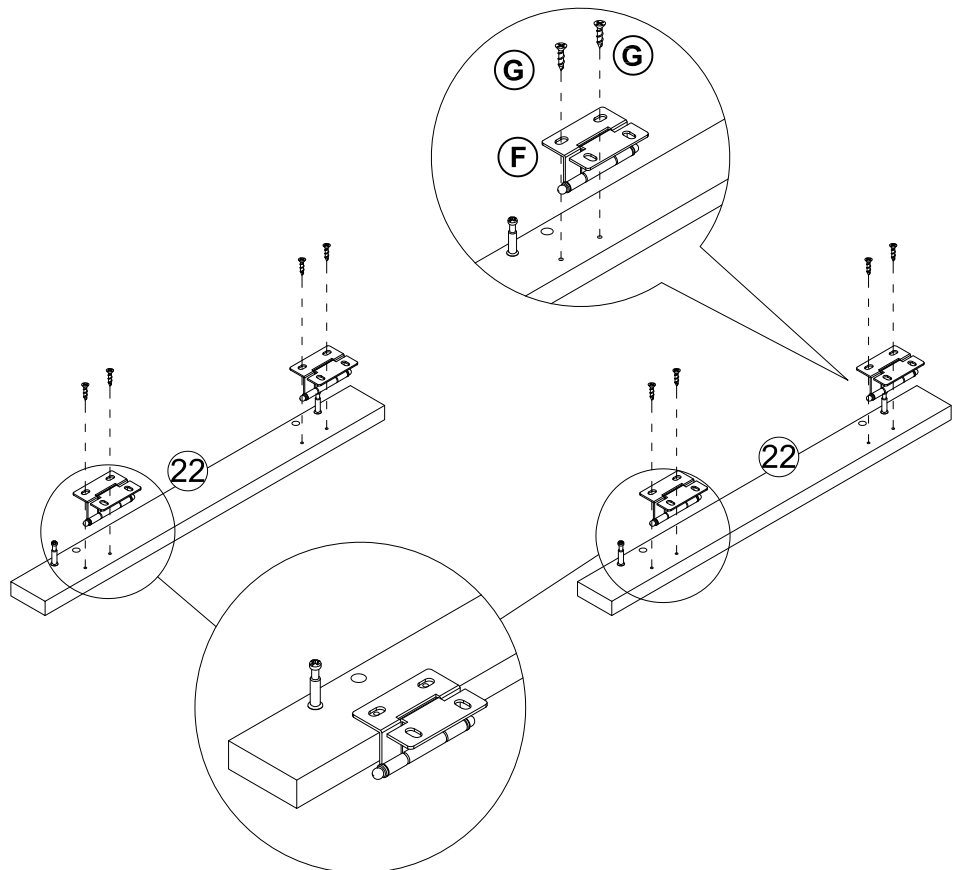
Insert cam bolts to the bottom panel (2) ,Two Bottom Medial Support Strip (5) and Two Bottom Left Right Support Strip(22).



# 8

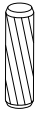


Attach door hinges to the Two Bottom Left Right Support Strip(22).

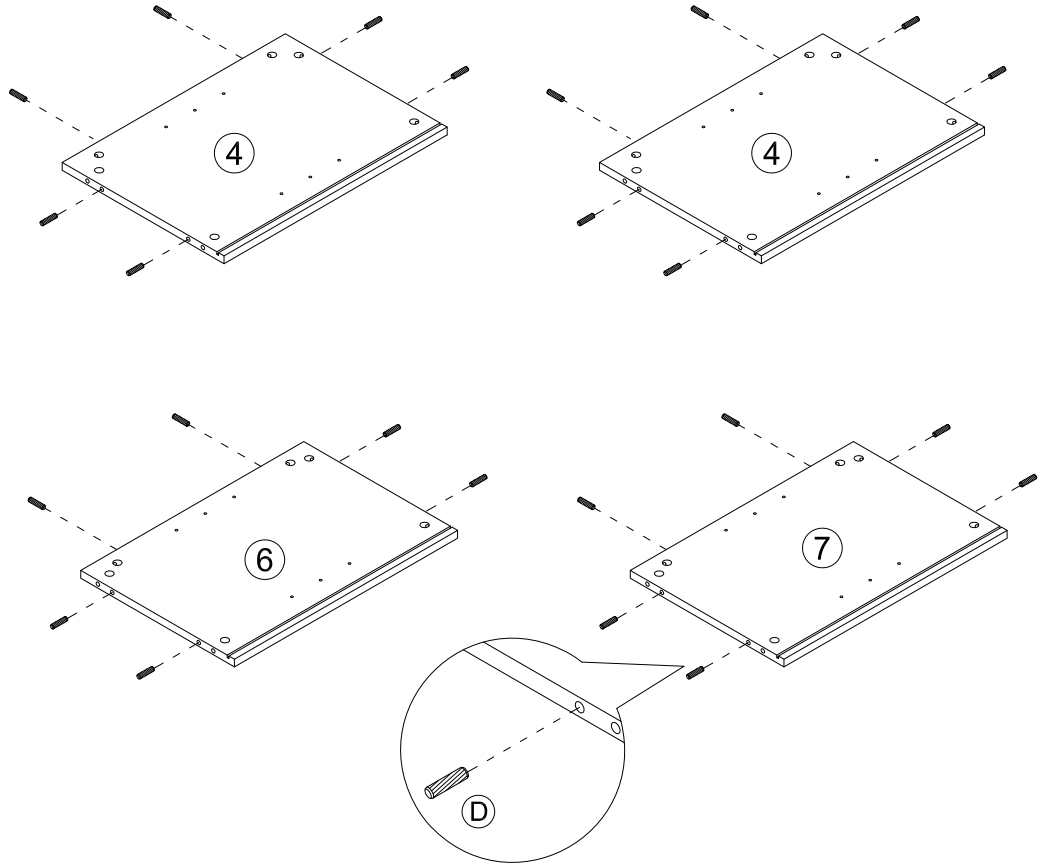


# 9

Insert wood dowels to the Two bottom side panels (4), Left and Right Bottom Medial Panel (6,7).

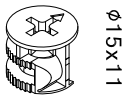


(D) 24x

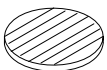


# 10

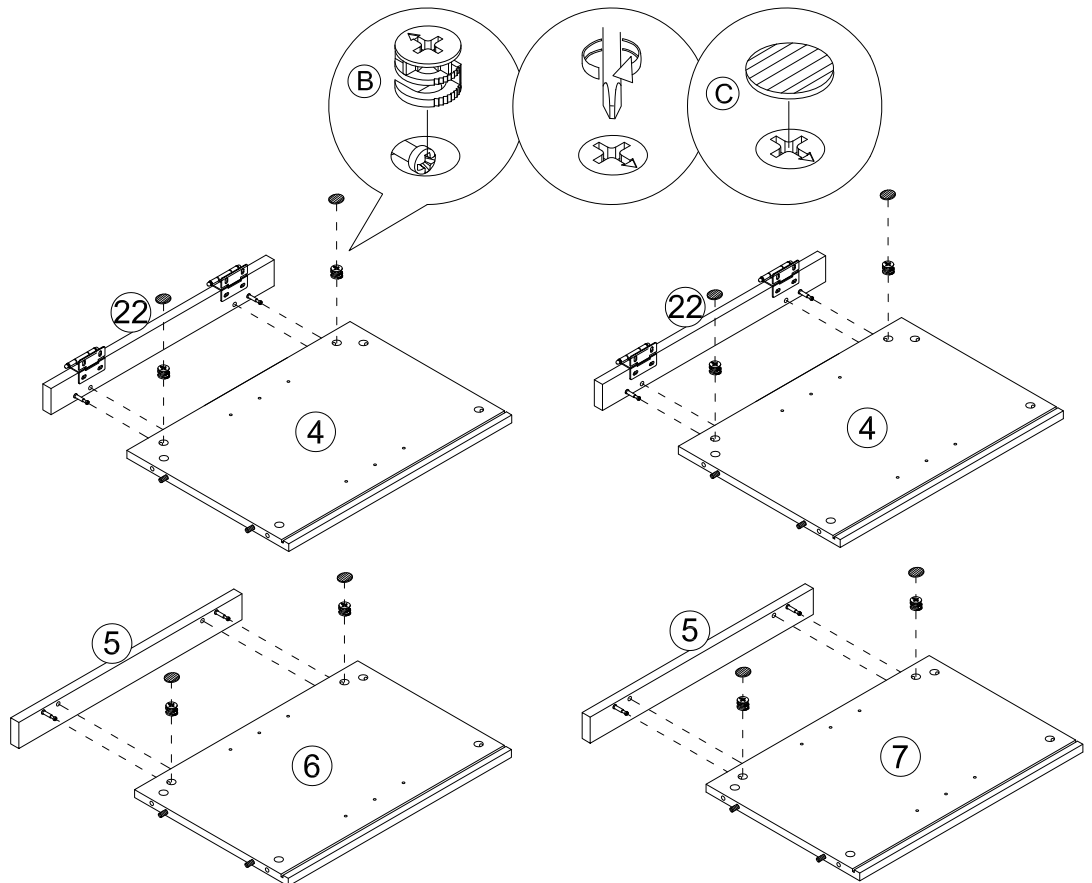
Attach the Two Bottom Medial Support Strip (5) and Two Bottom Left Right Support Strip(22) to the Two bottom side panels (4),Left and Right Bottom Medial Panel (6,7).



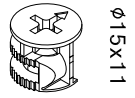
(B) 8x



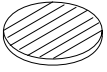
(C) 8x



# 11

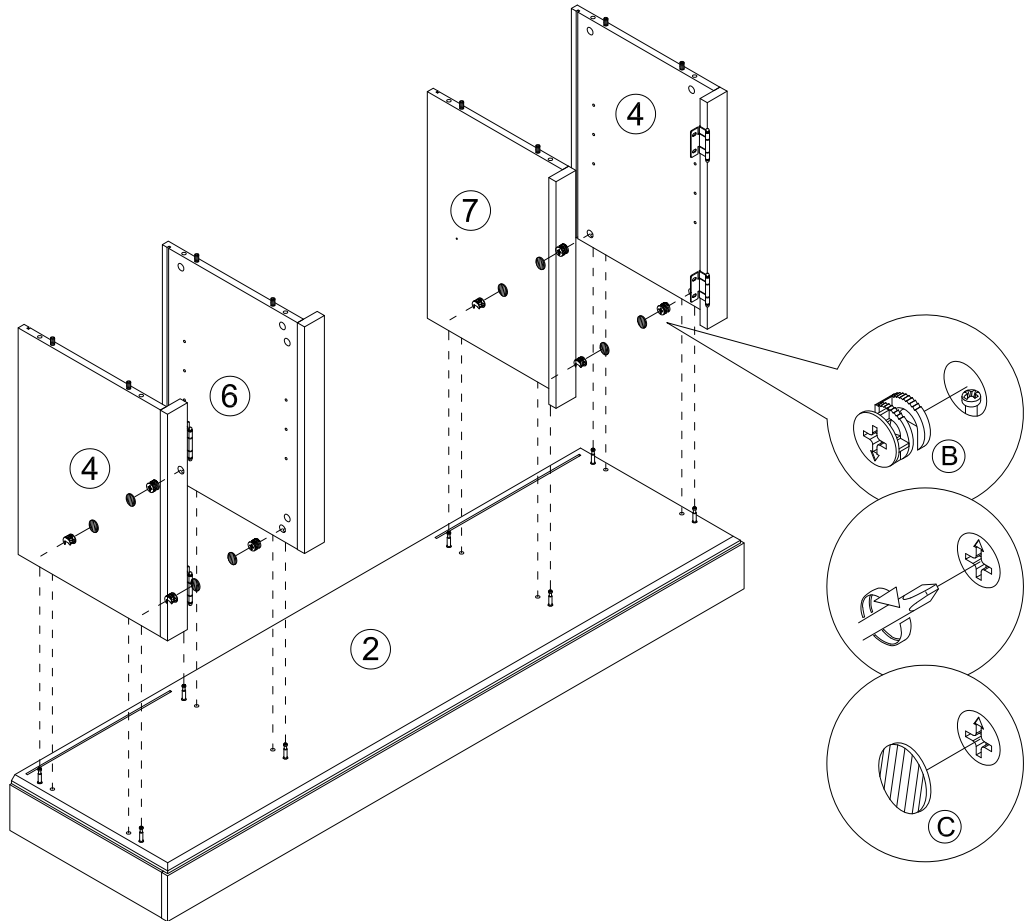


(B) 8x



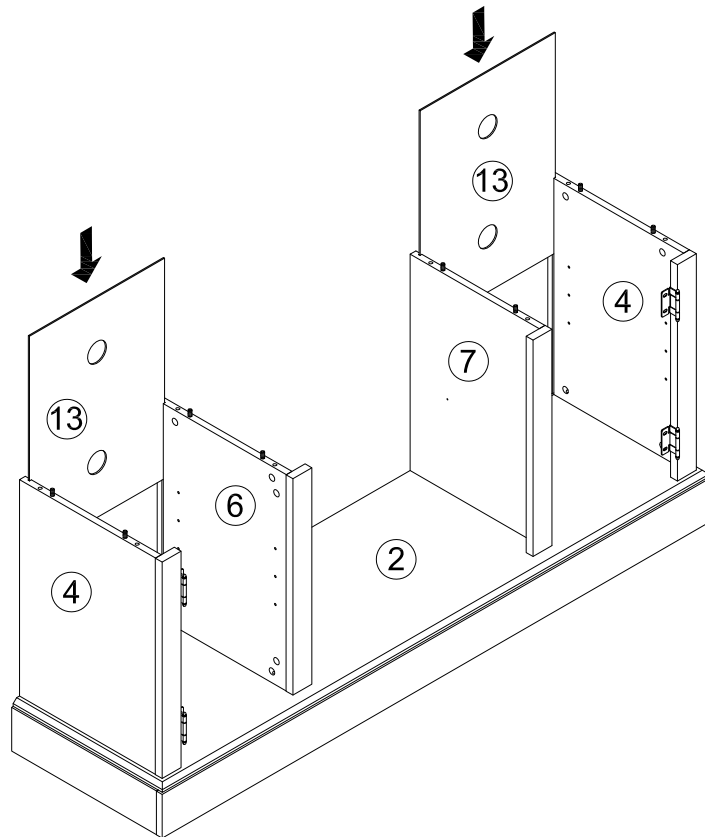
(C) 8x

Attach cam bolts on the Bottom Side Panel(4) , Left and Right Bottom Medial Panel(6,7).



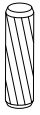
# 12

Attach Bottom Back Panel (13) .

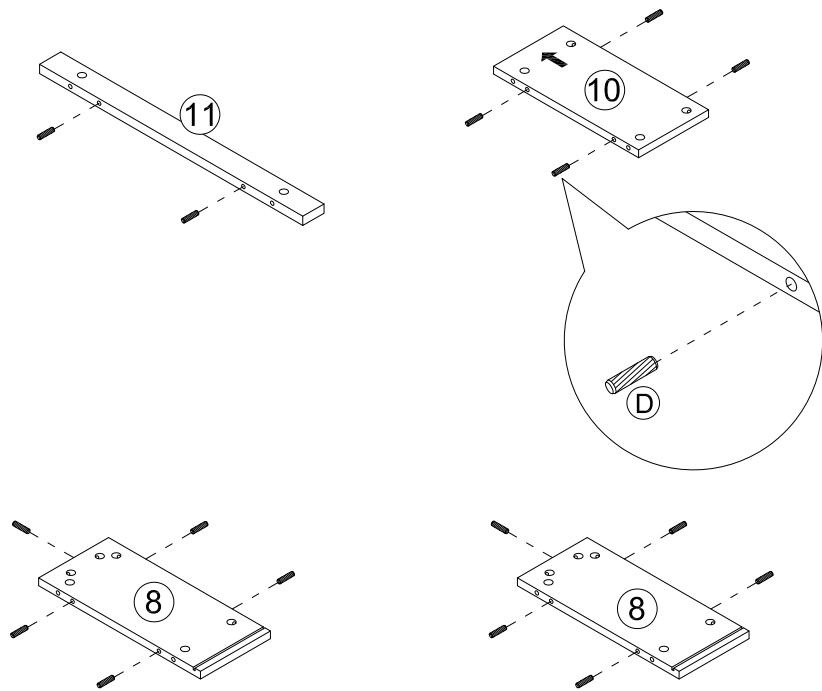


# 13

Insert wood dowels to the Upper Side Panel (8) Upper Medial Pane (10) and Crossbar(11).

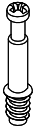


(D) 16x

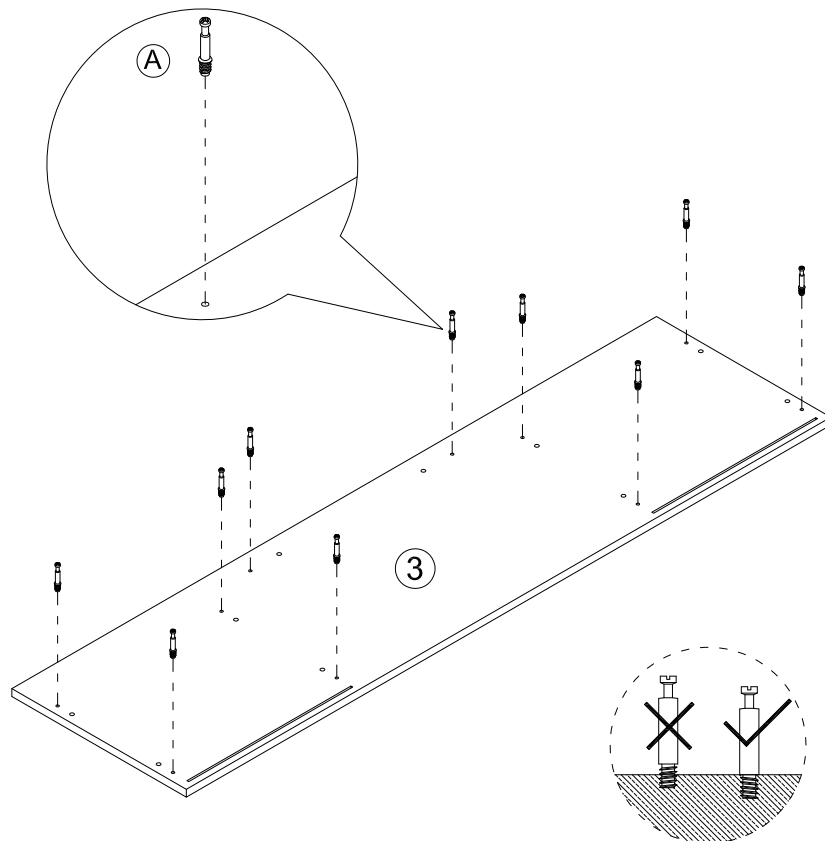


# 14

Insert cam bolts to the Upper Shelf Panel (3)

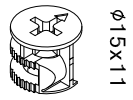


(A) 10x

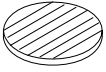


# 15

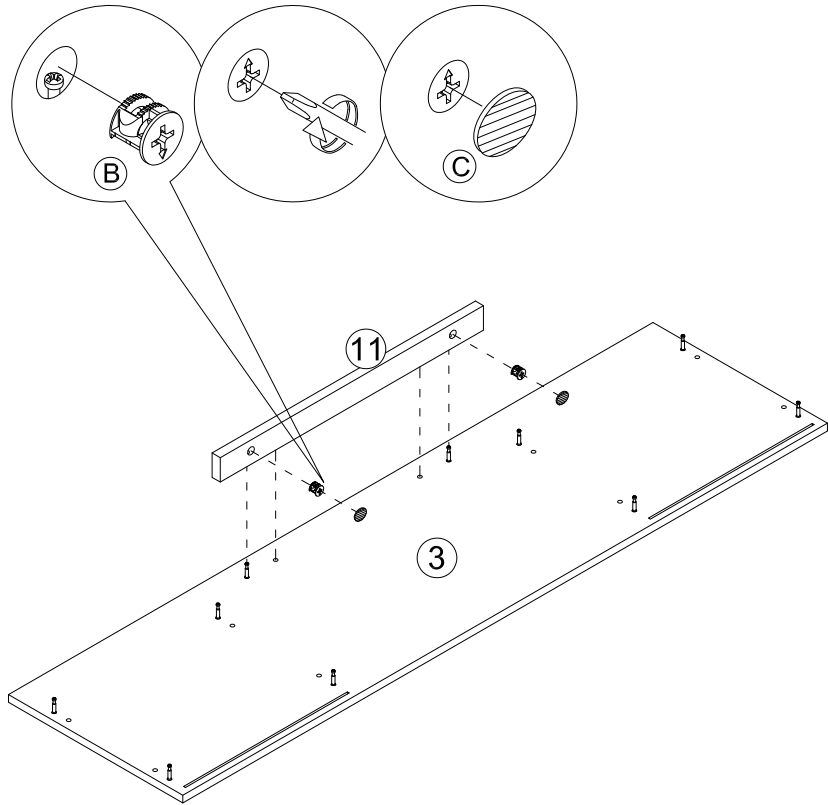
Attach the Crossbar(11) to the Upper Shelf Panel (3).



(B) 2x

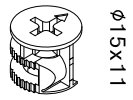


(C) 2x

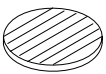


# 16

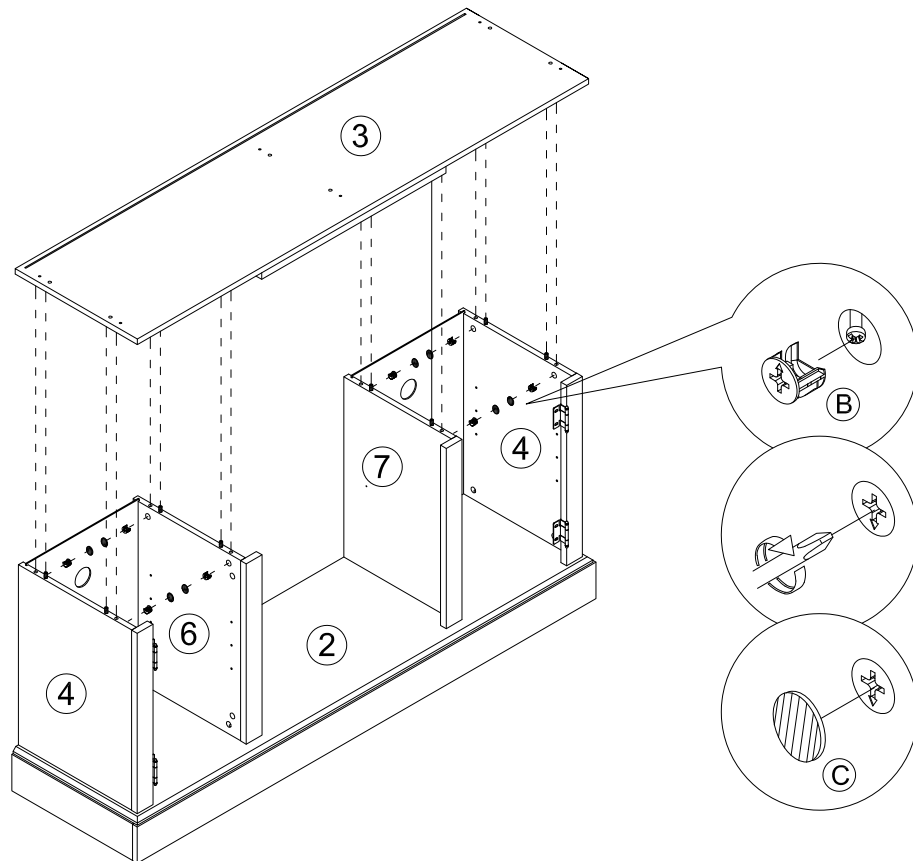
Assemble the upper shelf panel (3) on top of the bottom cabinet assembly.



(B) 8x

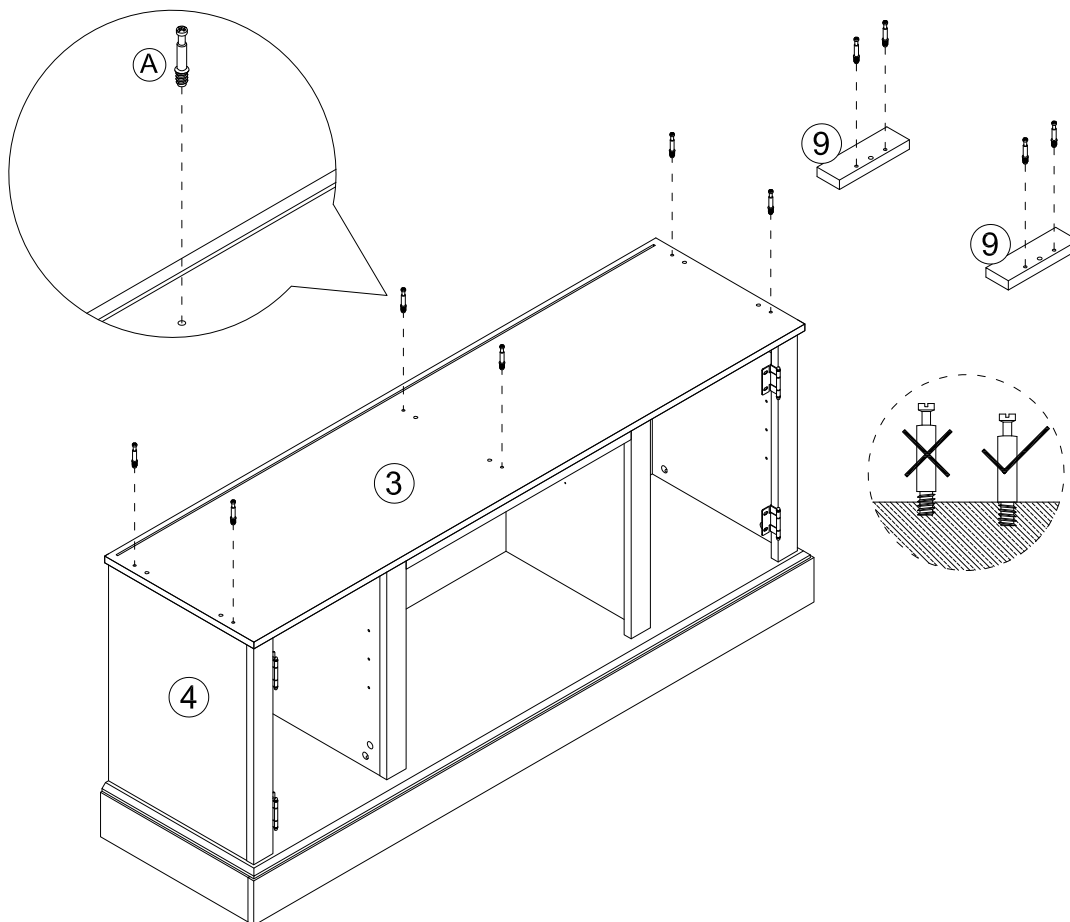
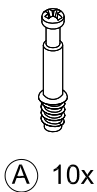


(C) 8x



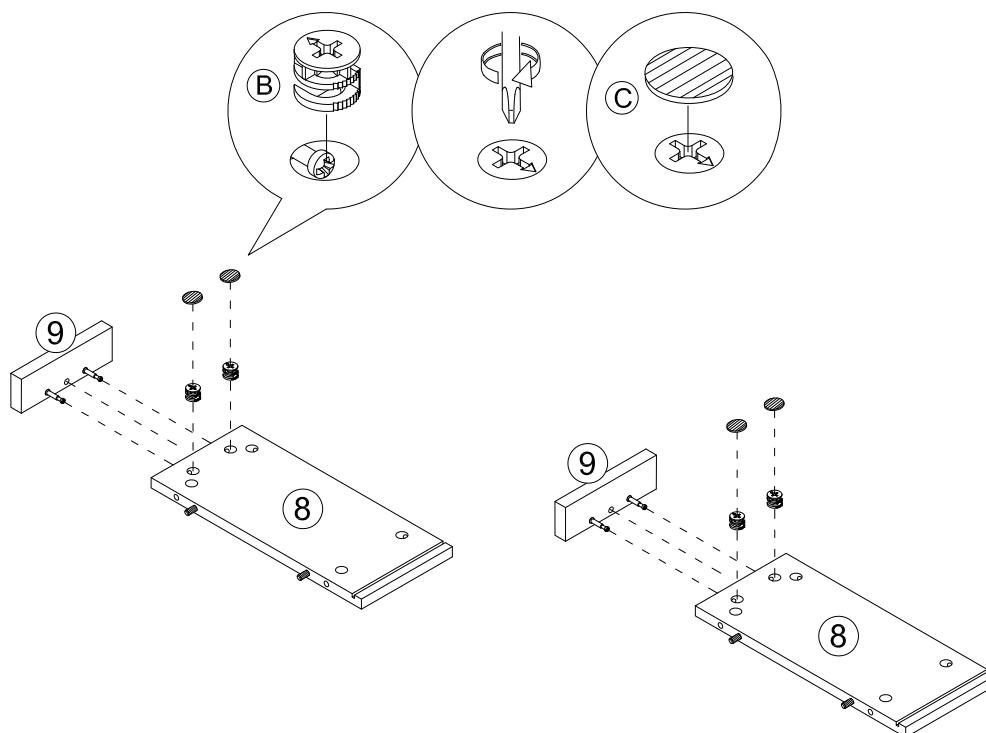
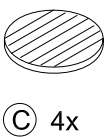
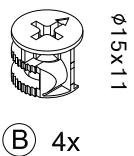
# 17

Insert cam bolts to the upper shelf panel (3) and Upper Support Strip(9).



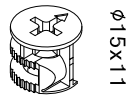
# 18

Attach the upper support strips (9) to the upper side panels (8).

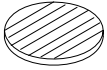


# 19

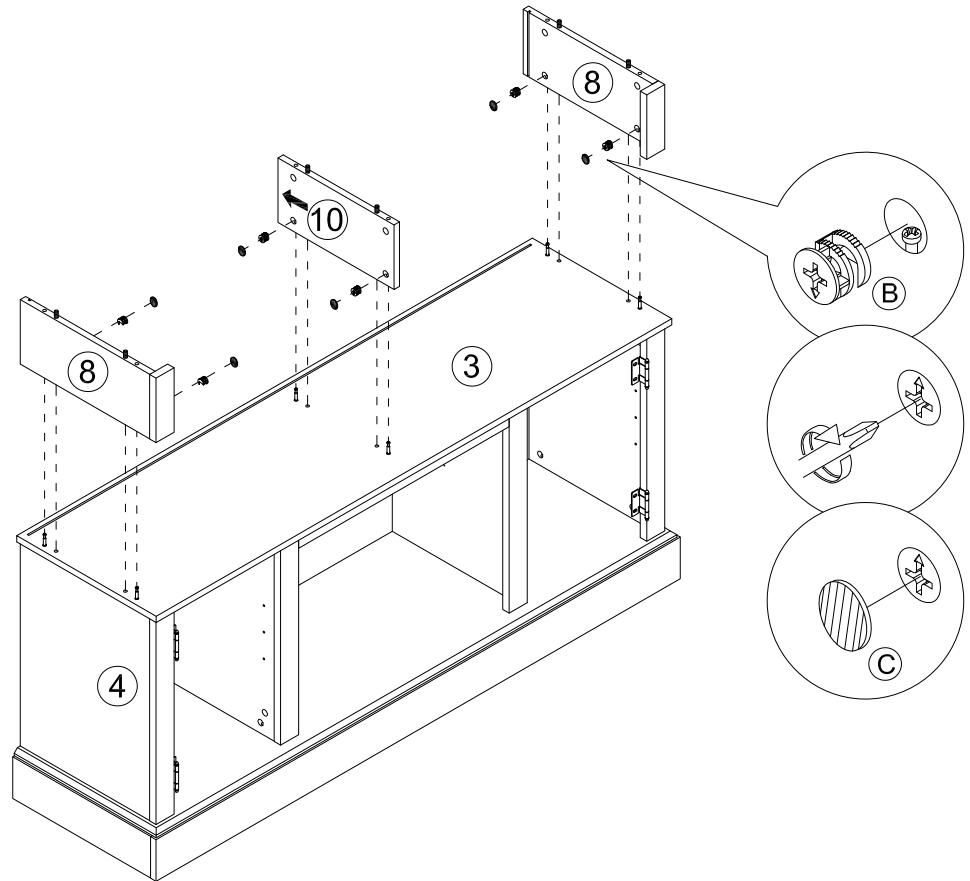
Assemble the upper side panels (8) and the upper medial panel (10) on top of the upper shelf pane.



(B) 6x

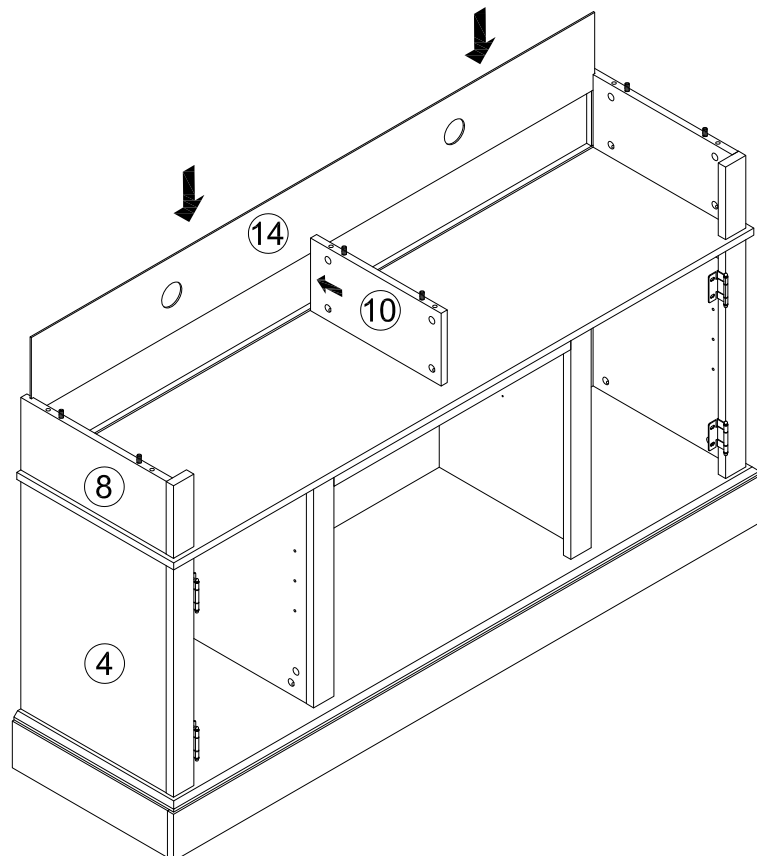


(C) 6x



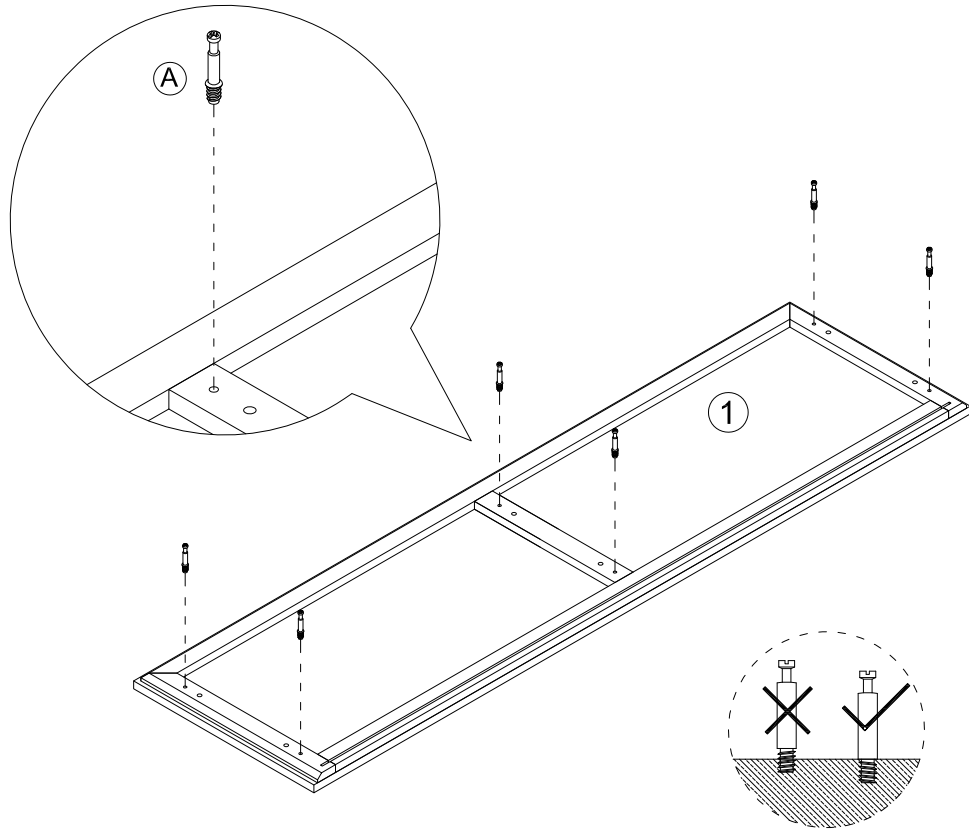
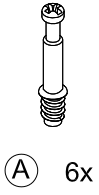
# 20

Attach Upper Back Panel (14).



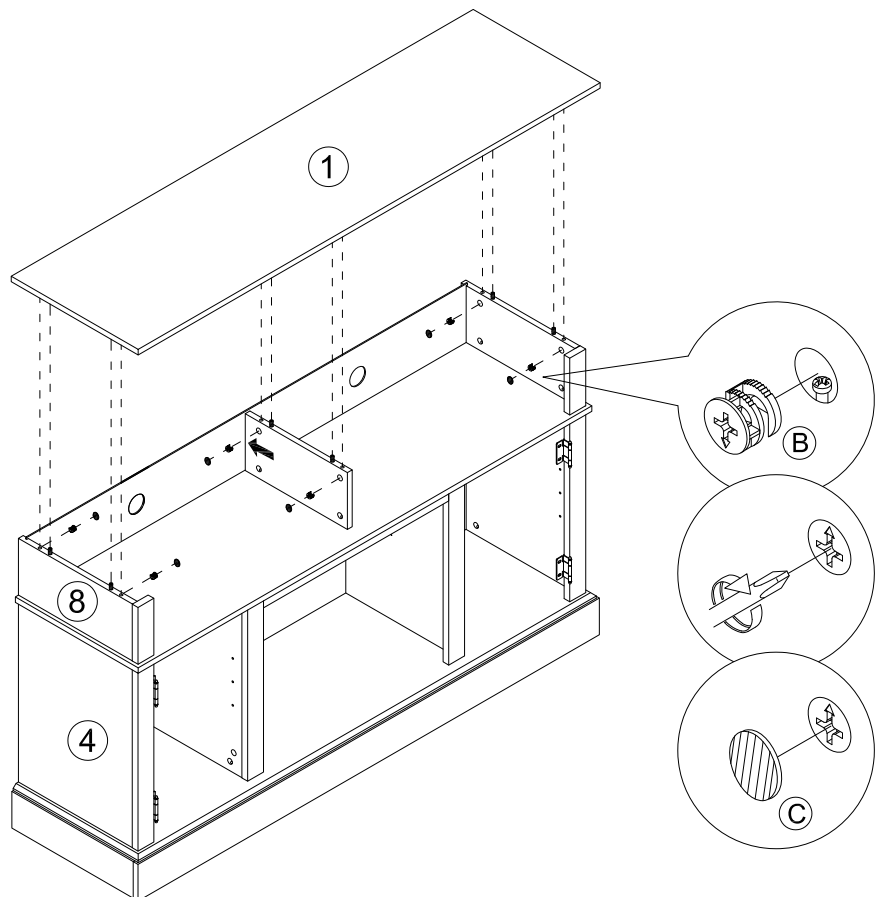
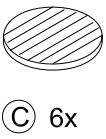
# 21

Insert cam bolts to the Top Panel (1)



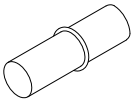
# 22

Assemble the top panel (1) on top of the upper side panels and medial panel.

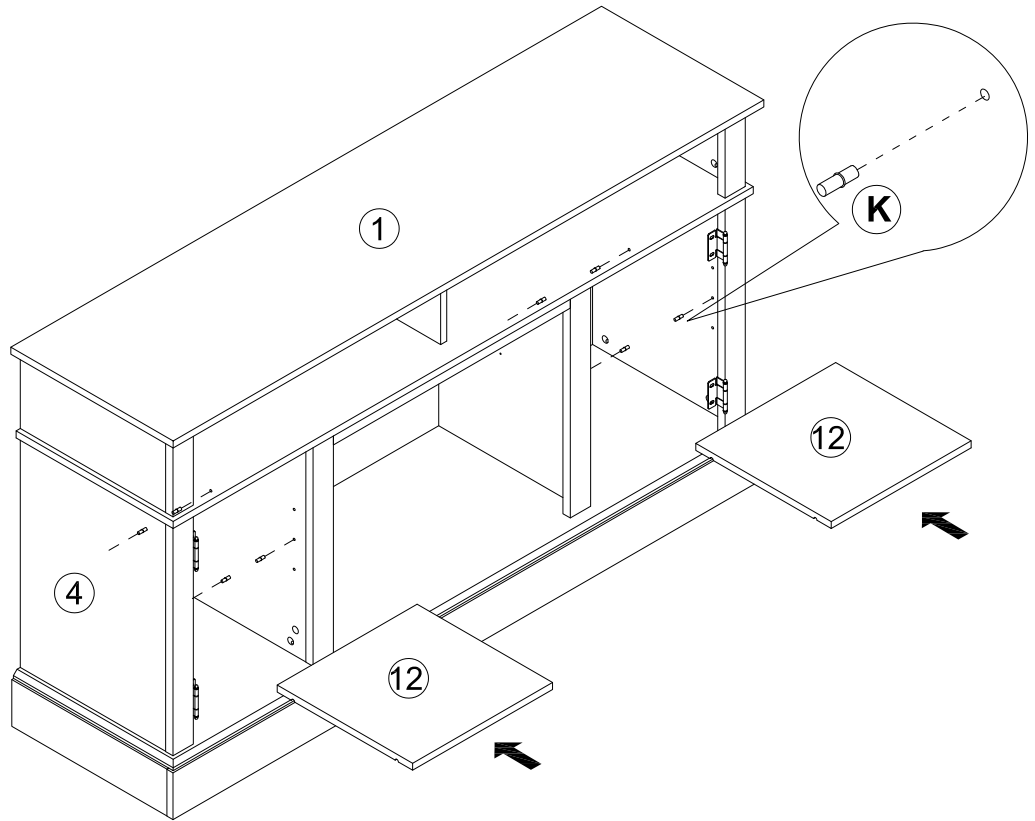


# 23

Attach shelf pegs inside the on the bottom shelf panels (12)



(K) 8x



# 24

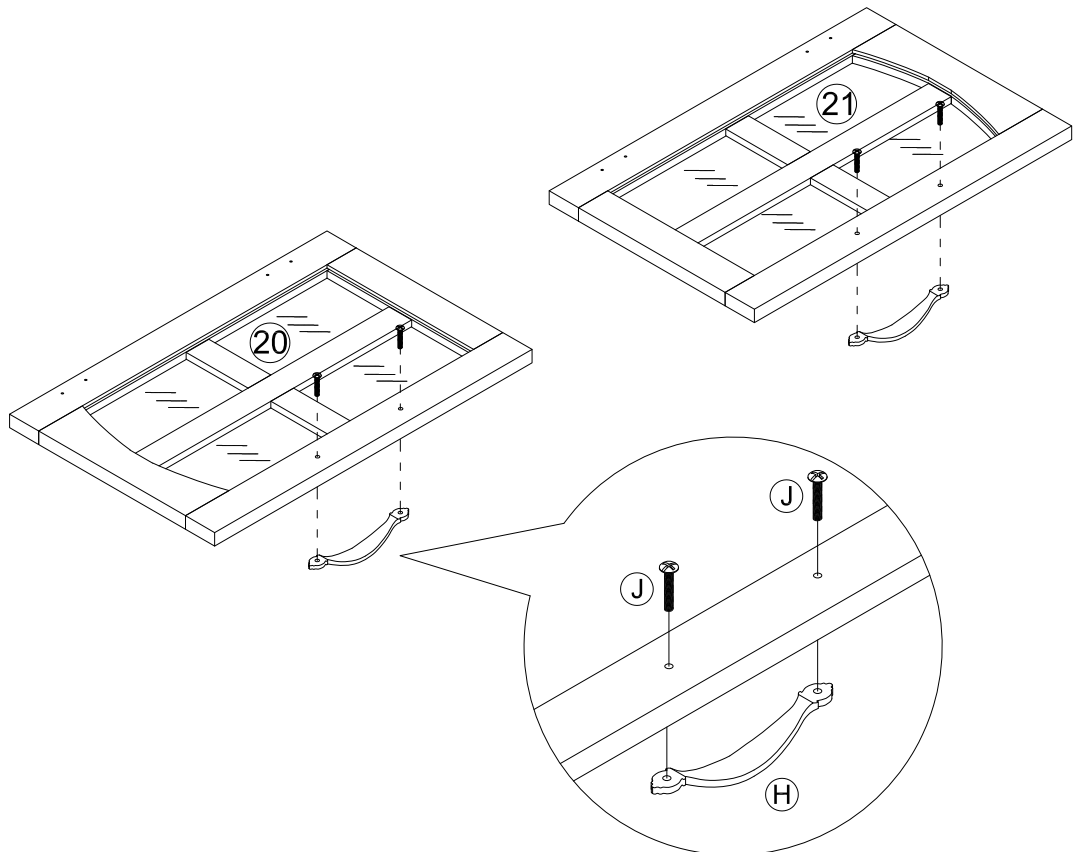
Attach door handles to the Left Door (20) and Right Door (21).



(H) 2x



(J) 4x

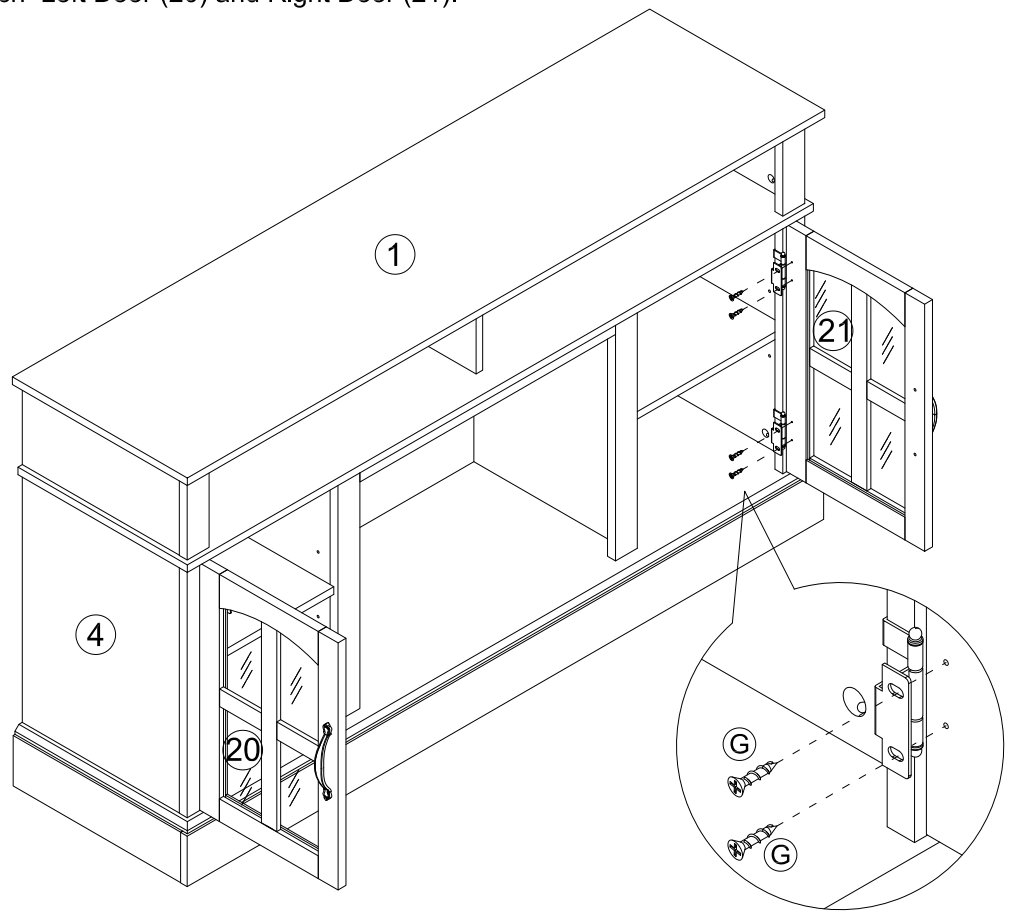


# 25

Attach Left Door (20) and Right Door (21).



G 8x



# 26

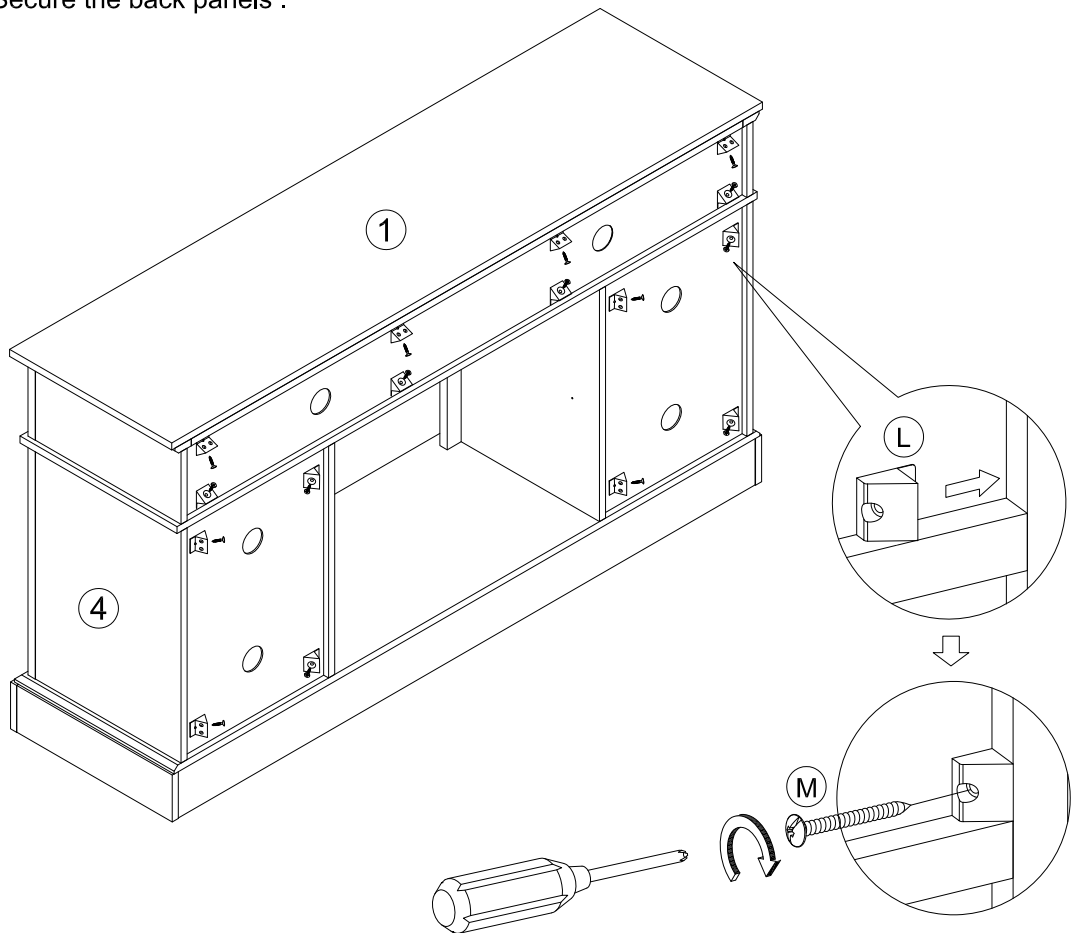
Secure the back panels .



L 16x

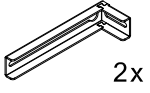


M 16x

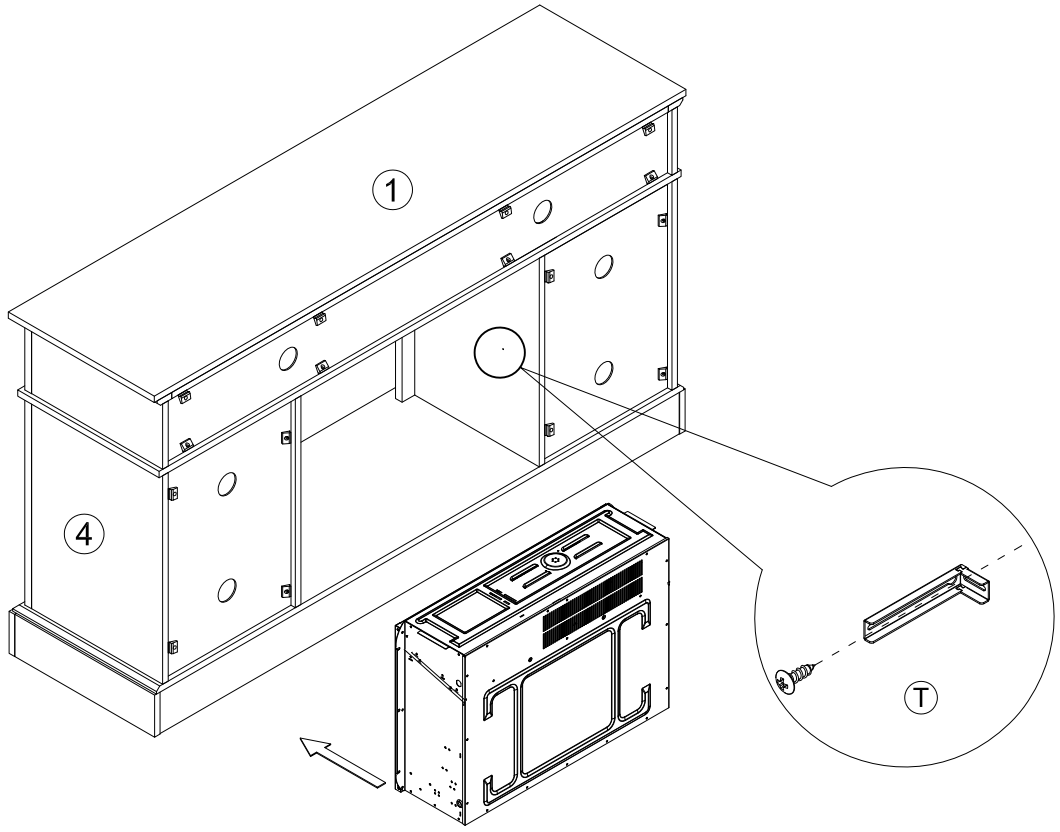


# 27

Install fireplace inside.



(T)



# 28

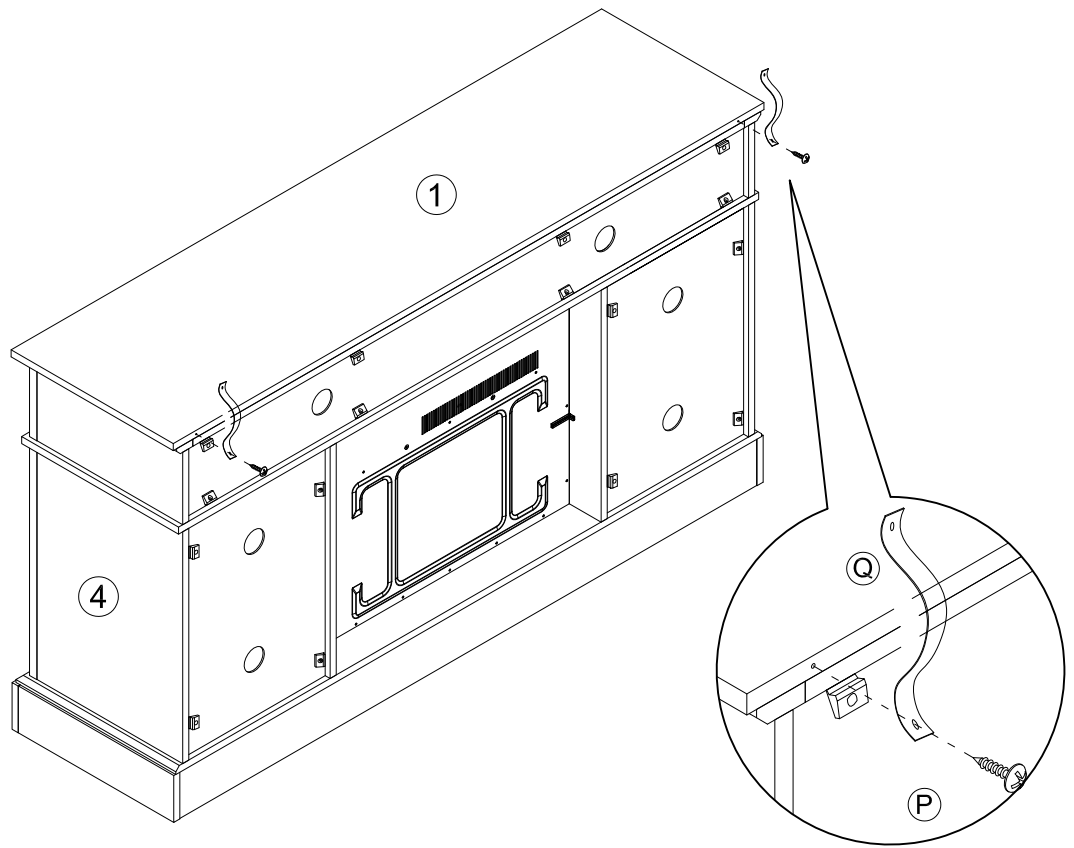
Attach anti-tipping straps to the back .



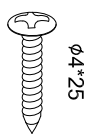
(P) 2x



(Q) 2x

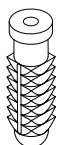


# 29

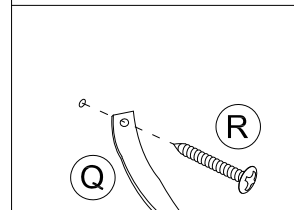
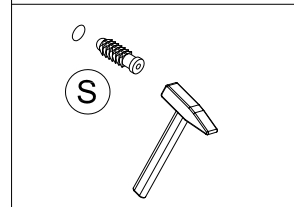
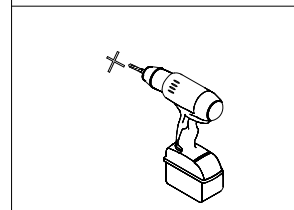
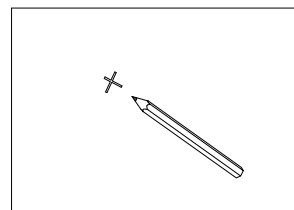
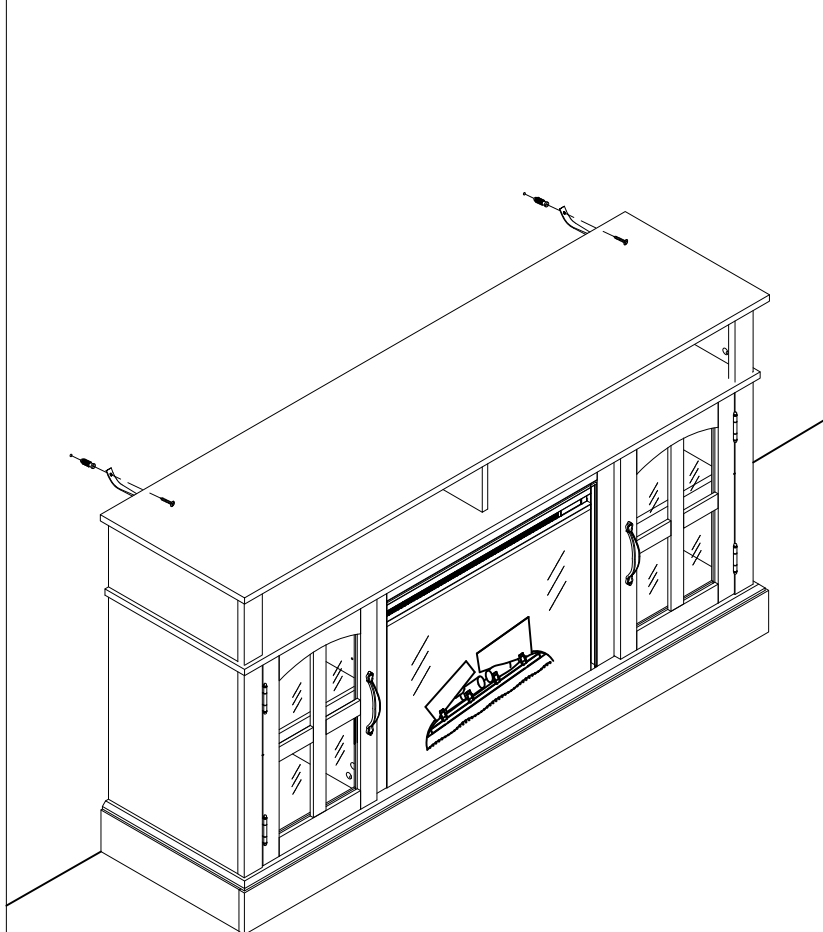


Ø4\*25

(R) 2x



(S) 2x



Furniture must be permanently fitted to the wall stud with an Included anti-tipping device to prevent the furniture from tipping over.

- Mark the drill position on the wall with a pencil.
- Drill a small hole on the marked position.
- Insert a wall anchor into the drilled hole.
- Fixed the anti-tipping strap to the wall with provided screws.

Assembly is complete