



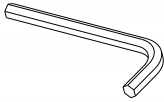



# Assembly Instructions

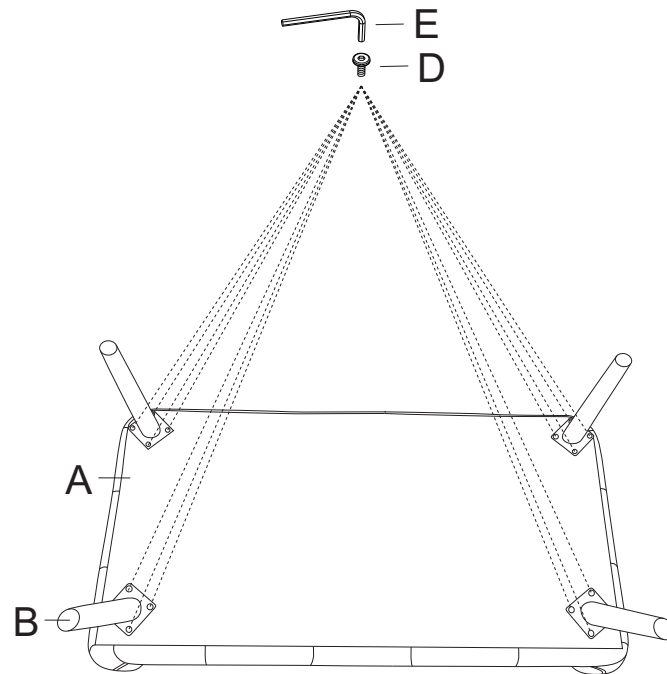
Your chair comes packaged in one box. Carefully remove all of components from the packaging and set aside for assembly.

CAUTION:  
DO NOT use any sharp objects to open plastic wrapped components as damage to product or components may result.

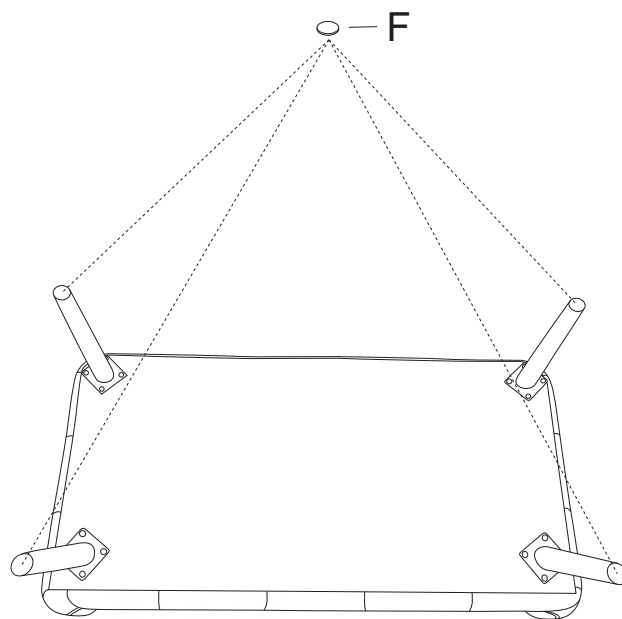
## Package Contents

Ax1 	Bx4 	Cx2 	Dx16  M6x18
Ex1 	Fx4 		

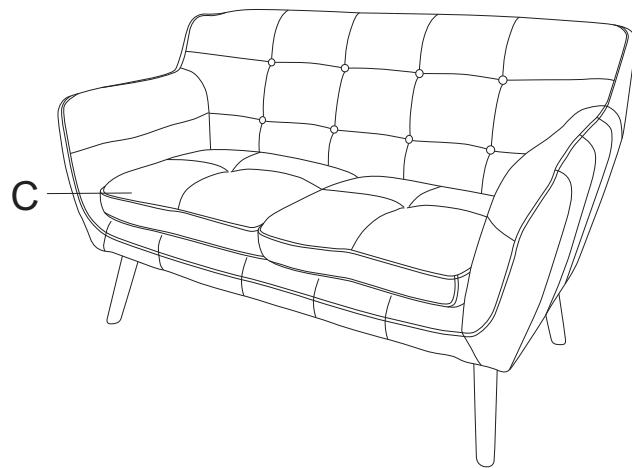
Step 1.



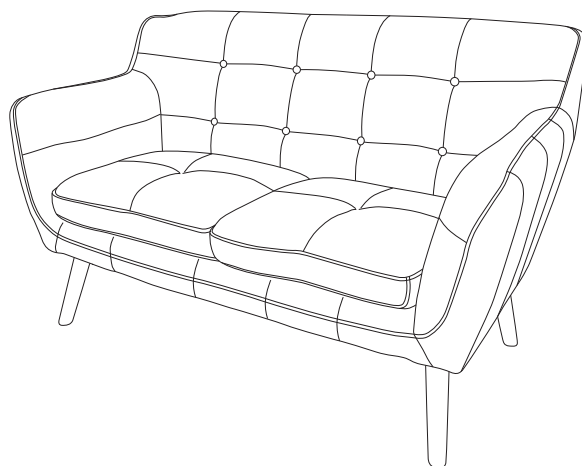
Step 2.



Step 3.



Step 4.



## Warnings

1. Please check if the components of the chair are all included and can be used normally.
2. Assemble all components according to the instruction correctly .
3. Please DO NOT sit on the armrests or backrest to eliminate the risk of tipping over.
4. If the chair is damaged or doesn't match the website description, please send clear pictures of the product and label of the carton to our service team for further help.
5. If you have any questions with the product, please contact us

