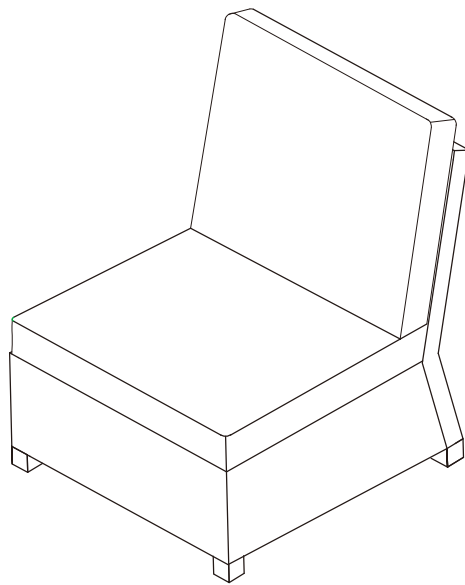
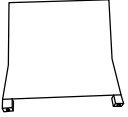
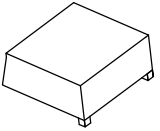






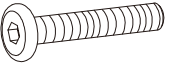
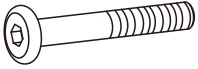


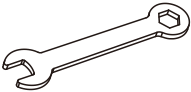

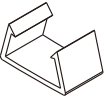
## Outdoor Wicker Sectional Center Chair



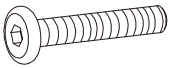
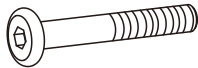
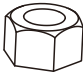

# PART LIST

<b>A</b> 	<b>B</b> 	<b>C</b> 	<b>D</b> 	<b>E</b> 
Back Panel 1 PC	Seat Panel 1 PC	Cover Of Seat Cushion* 1 PC	Inner Of Seat Cushion 1 PC	Cover Of Back Cushion* 1 PC
<b>F</b> 				
*Please note cushion covers will ship separately.				
Cover Of Back Cushion 1 PC				

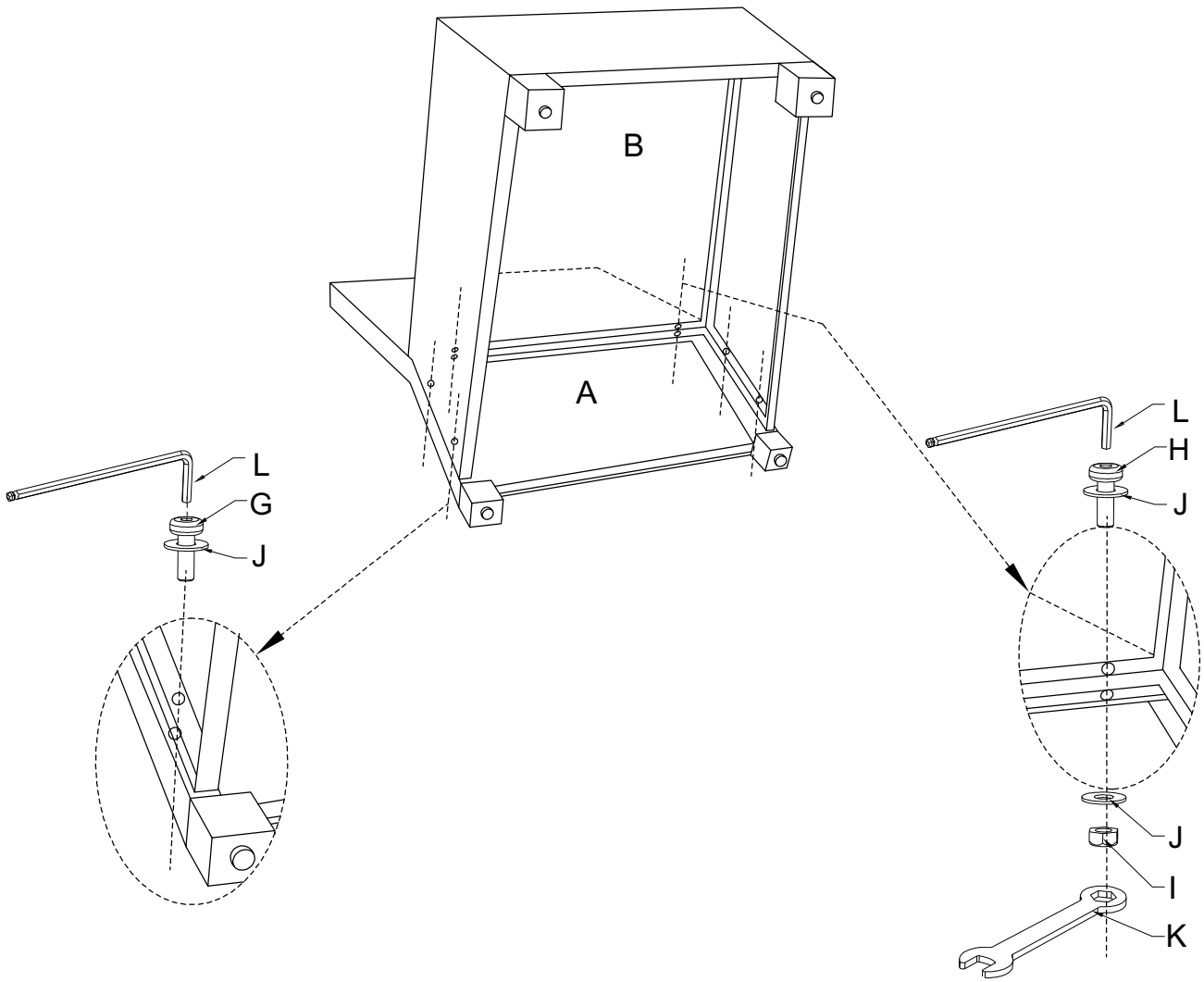
# HARDWARE LIST

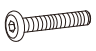
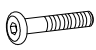



<b>G</b> 	<b>H</b> 	<b>I</b> 	<b>J</b> 	<b>K</b> 
M6*55mm  Short Bolt 4 PCS	M6*65mm  Long Bolt 2 PCS	M6mm  Nut 2 PCS	M6mm  Washer 8 PCS	M6mm  Wrench 1 PC
<b>L</b> 	<b>M</b> 			
M6mm  Allen Key 1 PC	Plastic Clip 2 PCS			

# EXTRA HARDWARE LIST

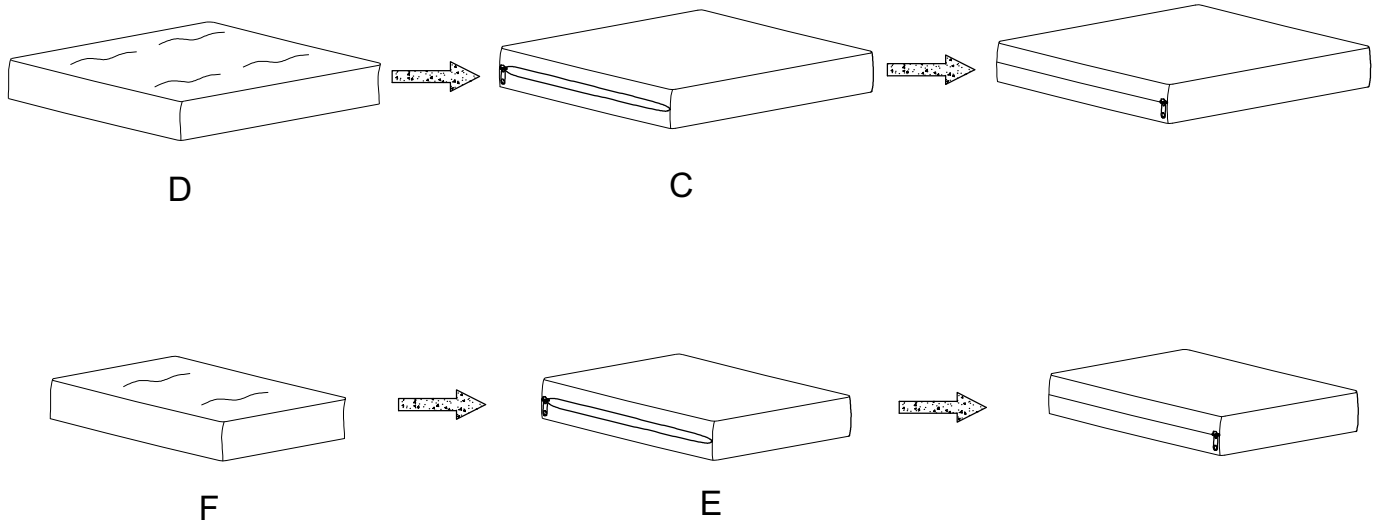
<b>G</b> 	<b>H</b> 	<b>I</b> 	<b>J</b> 
M6*55mm  Short Bolt 1 PCS	M6*65mm  Long Bolt 1 PCS	M6mm  Nut 1 PCS	M6mm  Washer 2 PCS

**Step 1.** Lay Back Panel (A) down on a flat surface. Attach Seat Panel(B) to Back Panel(A) using the Short Bolts(G),Long Bolts(H),Washers(J), Nuts(I),Wrench(K) & Allen Key (L).  
**NOTE:** Please do not fully tighten bolts until unit is fully assembled.

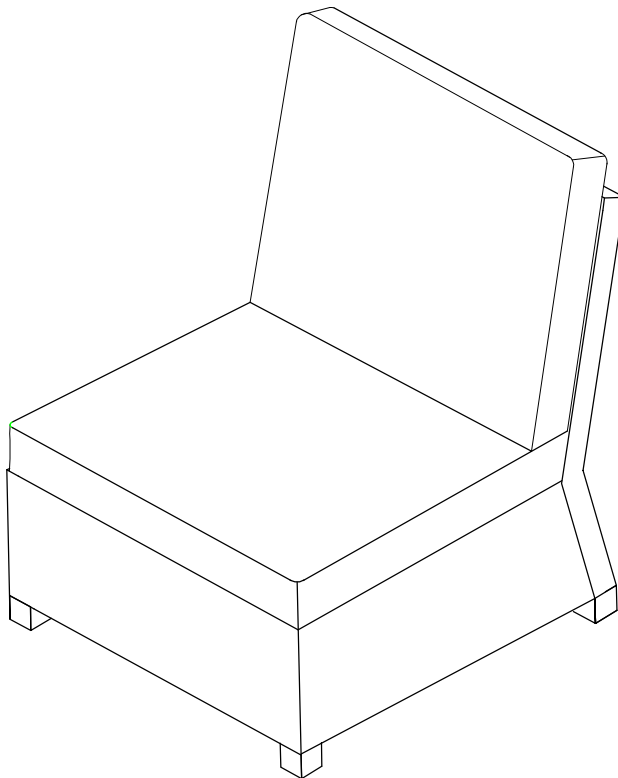


- |   |   |    |
|---|---|----|
| G |  | x4 |
| H |  | x2 |
| I |  | x2 |
| J |  | x8 |
| L |  | x1 |

**Step 2.** Insert Inner Of Seat Cushion (D) into Cover Of Seat Cushion (C).  
Insert Inner Of Back Cushion (F) into Cover Of Back Cushion (E).



**Step 3.** Place Seat Cushion and Back Cushion on the chair.



Step 4. Use plastic clips (part M) to secure additional units together as shown.

