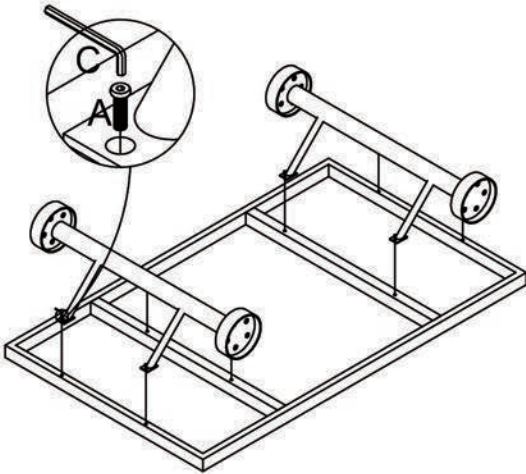
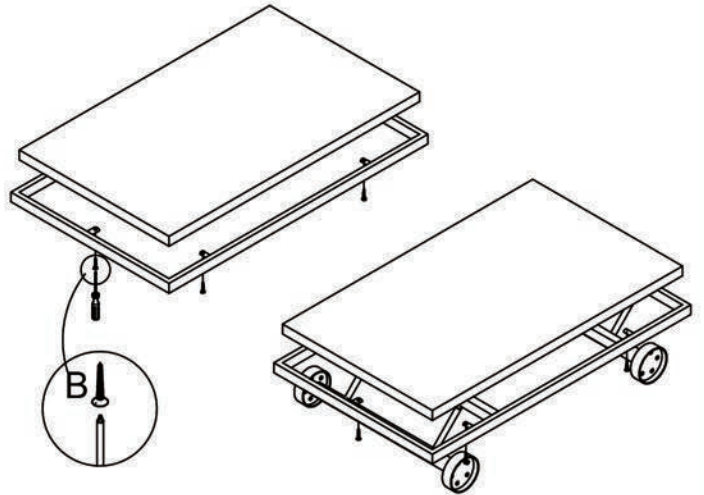


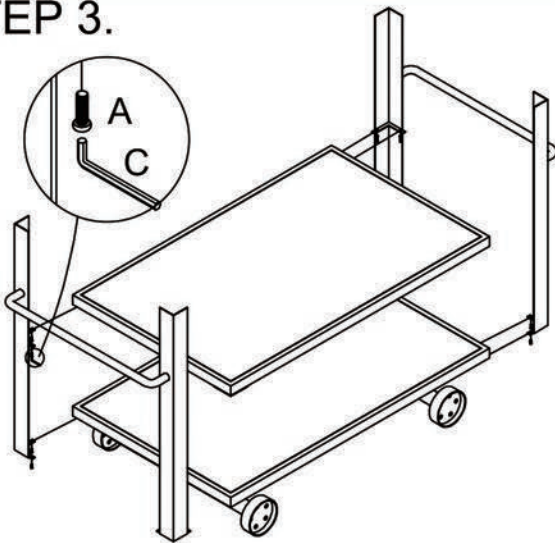
STEP 1.



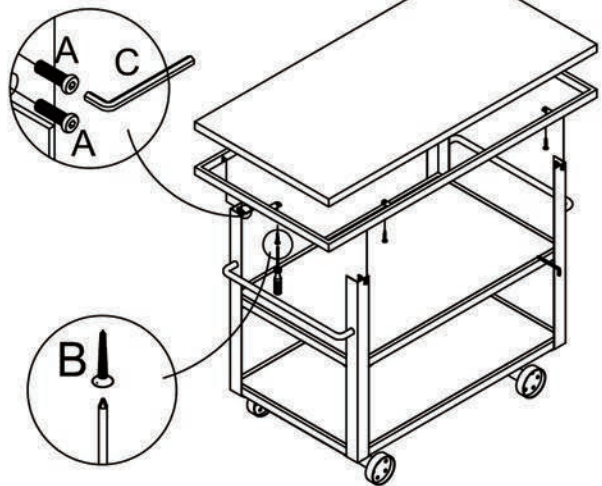
STEP 2.



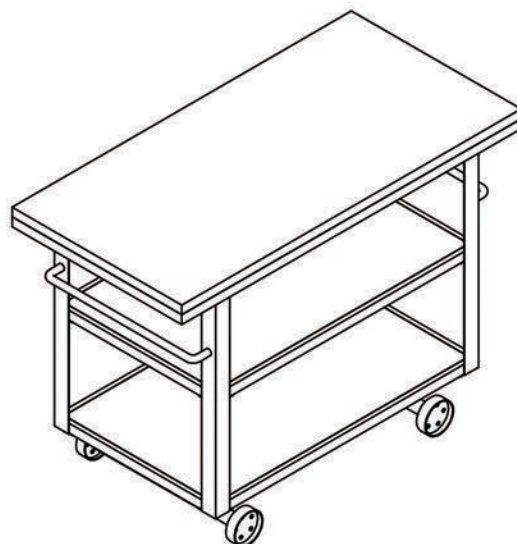
STEP 3.



STEP 1.



STEP 5.



Note: Do not tighten all bolts until the product is assembled completely