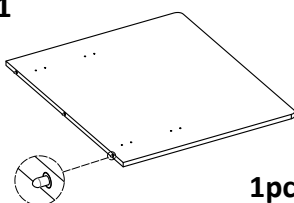
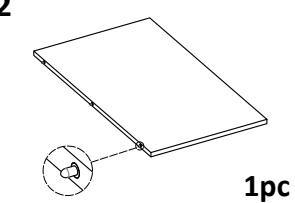
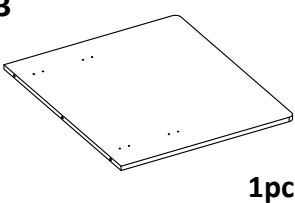
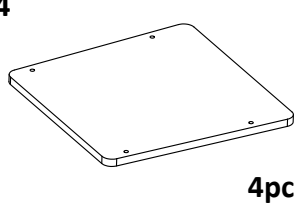
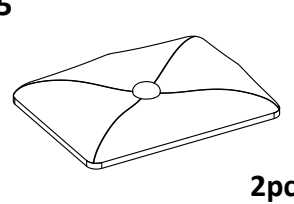

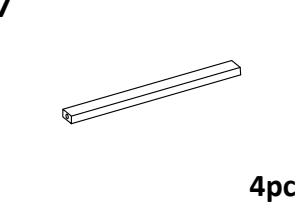
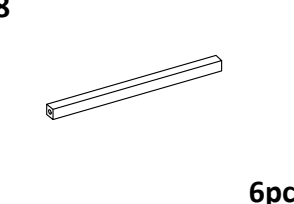
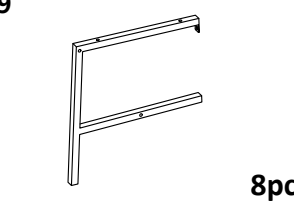
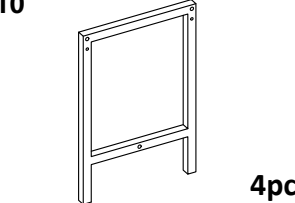
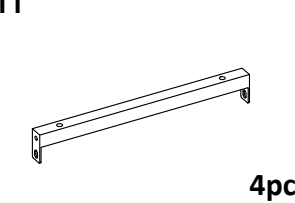
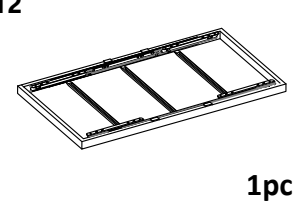
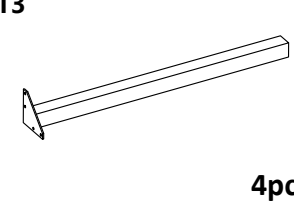
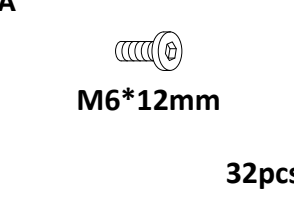
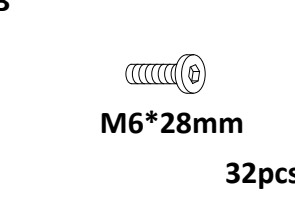
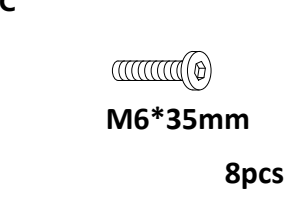
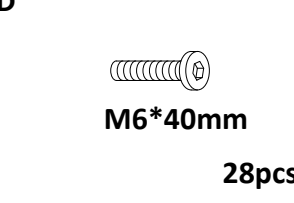
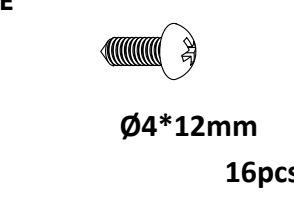
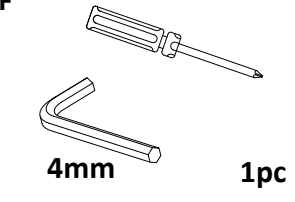
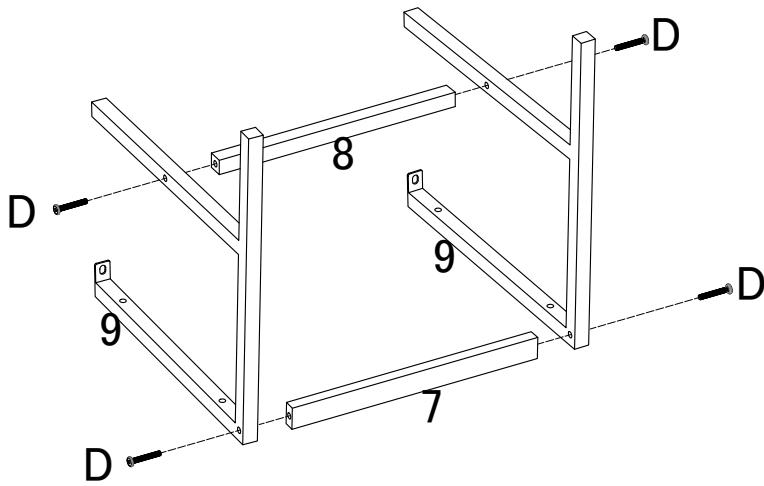


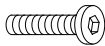
**Please don't tighten the screws completely  
and go back later for a final tightening of all the  
screws after pieces are aligned with each other.**

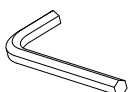
# Assembly Instructions

<p><b>1</b></p>  <p><b>1pc</b></p>	<p><b>2</b></p>  <p><b>1pc</b></p>	<p><b>3</b></p>  <p><b>1pc</b></p>	<p><b>4</b></p>  <p><b>4pcs</b></p>
<p><b>5</b></p>  <p><b>2pcs</b></p>	<p><b>6</b></p>  <p><b>4pcs</b></p>	<p><b>7</b></p>  <p><b>4pc</b></p>	<p><b>8</b></p>  <p><b>6pcs</b></p>
<p><b>9</b></p>  <p><b>8pcs</b></p>	<p><b>10</b></p>  <p><b>4pcs</b></p>	<p><b>11</b></p>  <p><b>4pcs</b></p>	<p><b>12</b></p>  <p><b>1pc</b></p>
<p><b>13</b></p>  <p><b>4pcs</b></p>			
<p><b>A</b></p>  <p><b>M6*12mm</b></p> <p><b>32pcs</b></p>	<p><b>B</b></p>  <p><b>M6*28mm</b></p> <p><b>32pcs</b></p>	<p><b>C</b></p>  <p><b>M6*35mm</b></p> <p><b>8pcs</b></p>	<p><b>D</b></p>  <p><b>M6*40mm</b></p> <p><b>28pcs</b></p>
<p><b>E</b></p>  <p><b>Ø4*12mm</b></p> <p><b>16pcs</b></p>	<p><b>F</b></p>  <p><b>4mm</b></p> <p><b>1pc</b></p>		

1

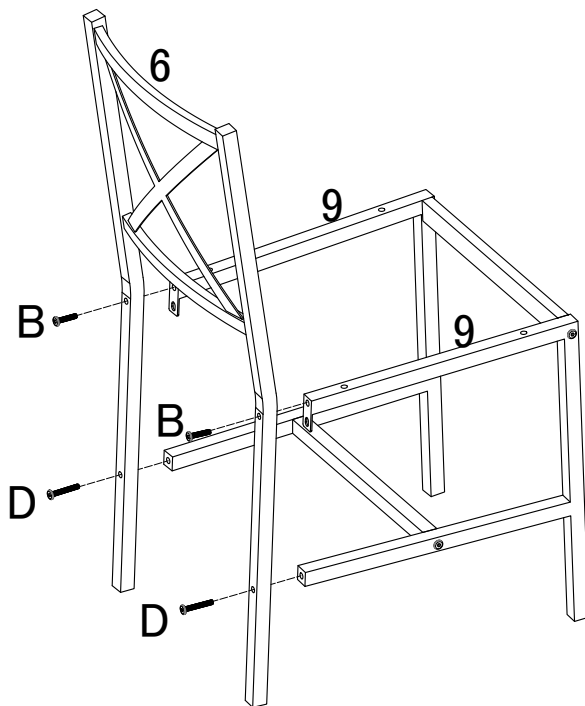


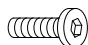
D	M6*40mm Screw
	 16PCS

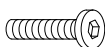
F	
---	--

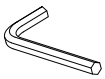
X4

2



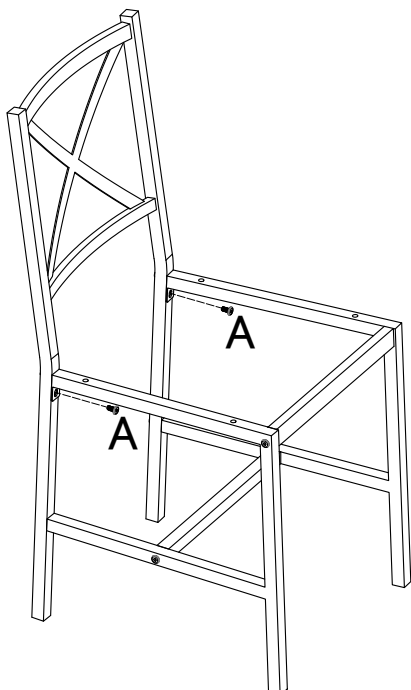
B	M6*28mm Screw
	 8PCS

D	M6*40mm Screw
	 8PCS

F	
---	---

X4

3

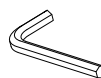


A M6\*12mm Screw



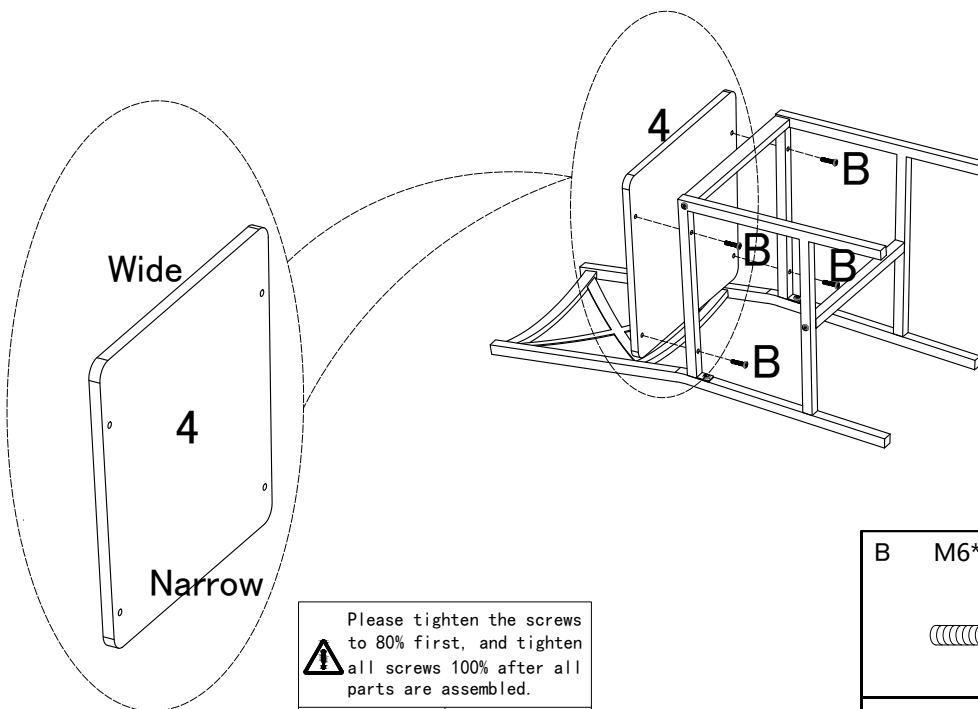
8PCS

F



X4

4

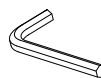


B M6\*28mm Screw



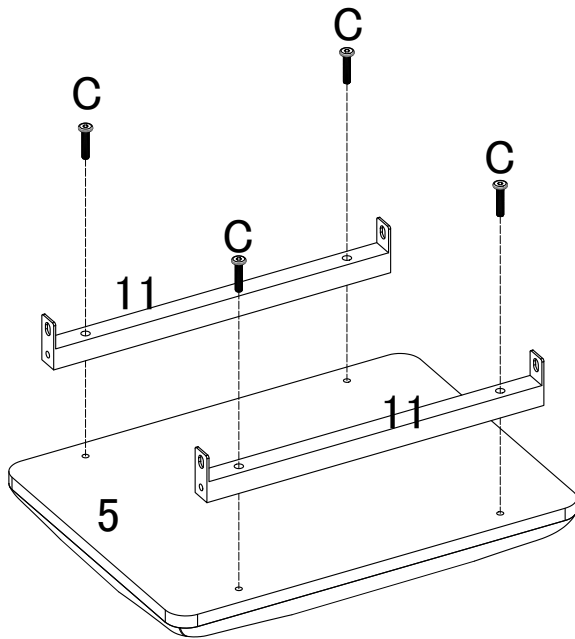
16PCS

F



X4

5

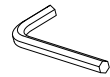


C M6\*35mm Screw



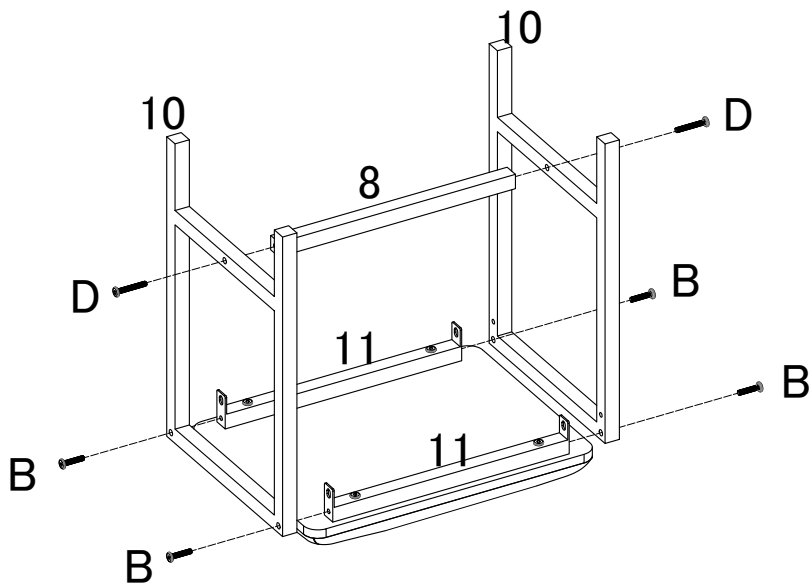
8PCS

F



X2

6



B M6\*28mm Screw



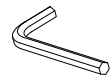
8PCS

D M6\*40mm Screw



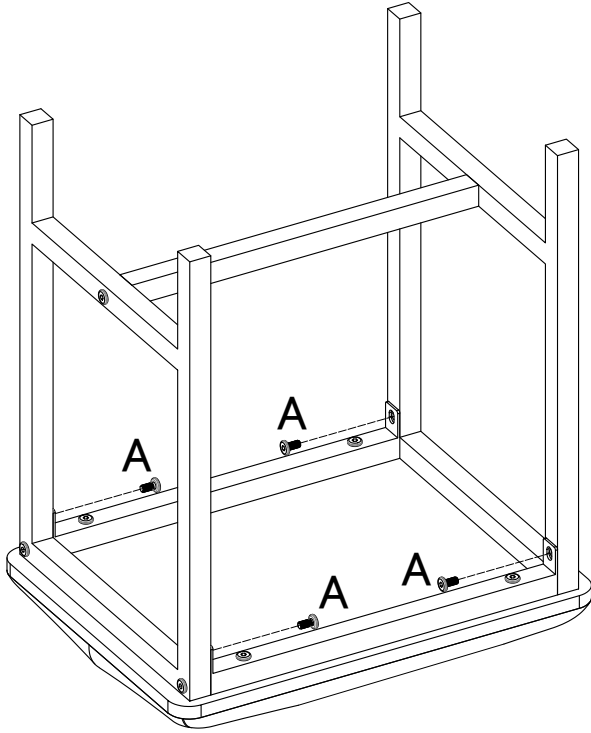
4PCS

F



X2

7

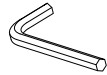


A M6\*12mm Screw



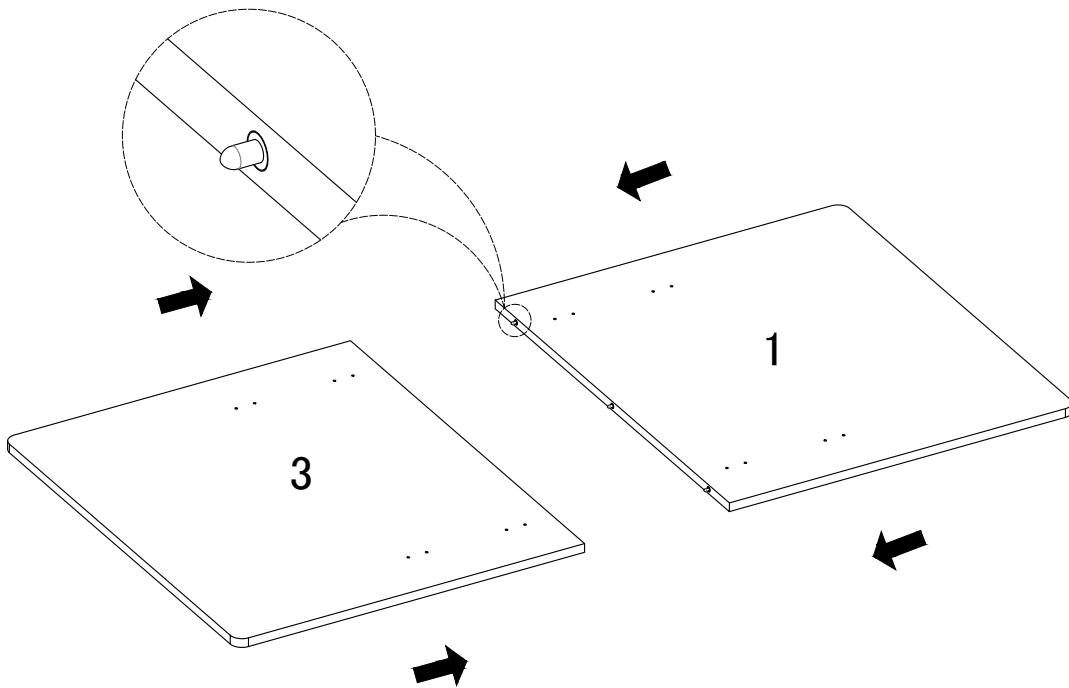
8PCS

F

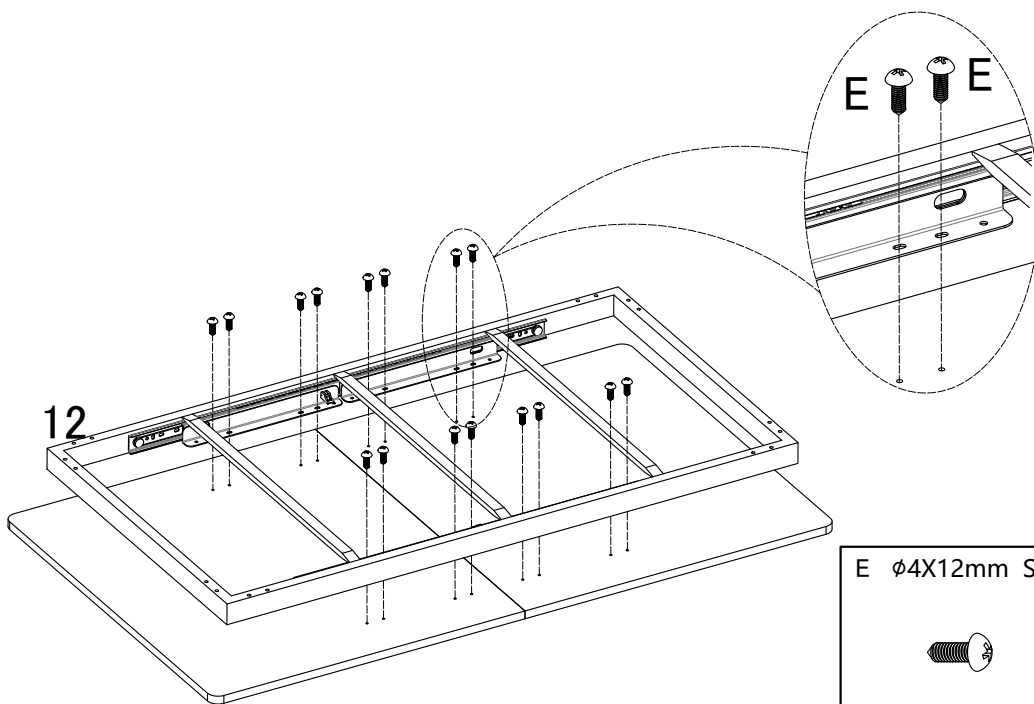


X2

8



9

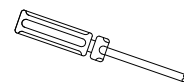


E  $\phi$ 4X12mm Screw

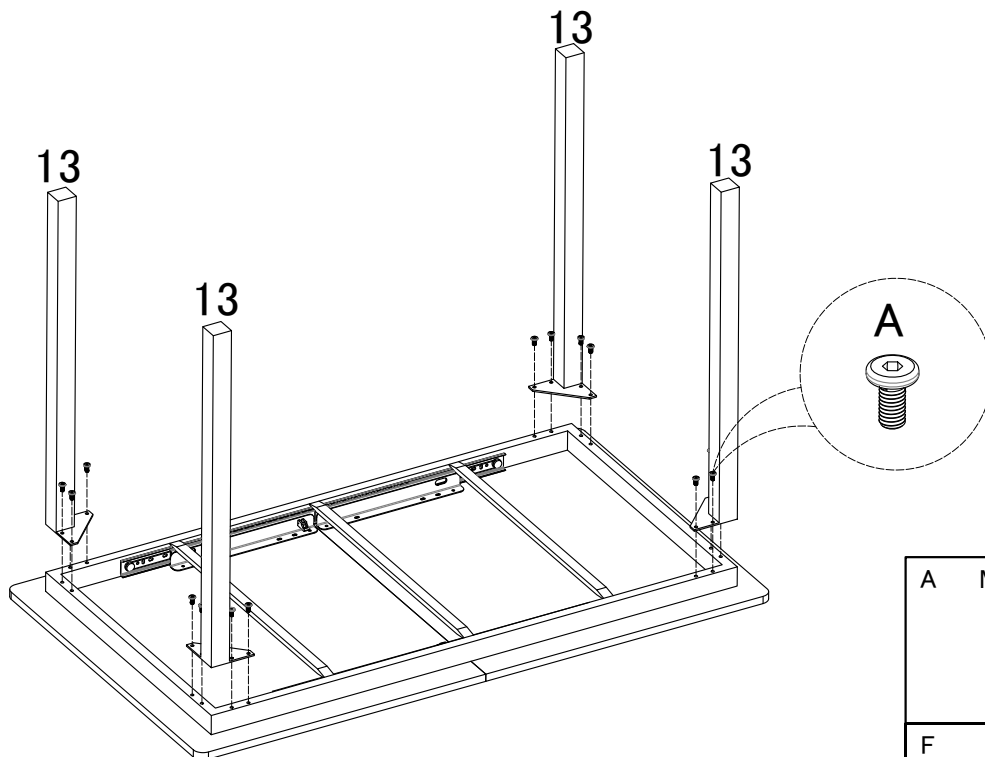


16PCS

F



10

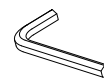


A M6\*12mm Screw

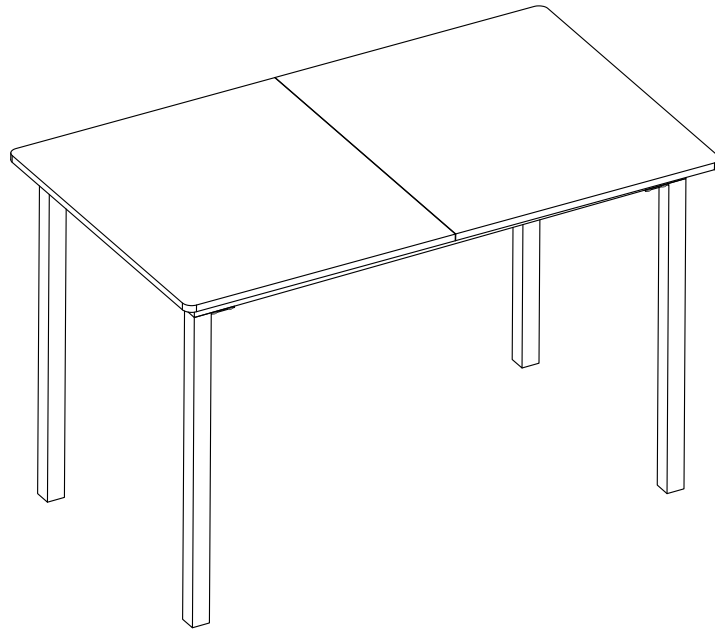


16PCS

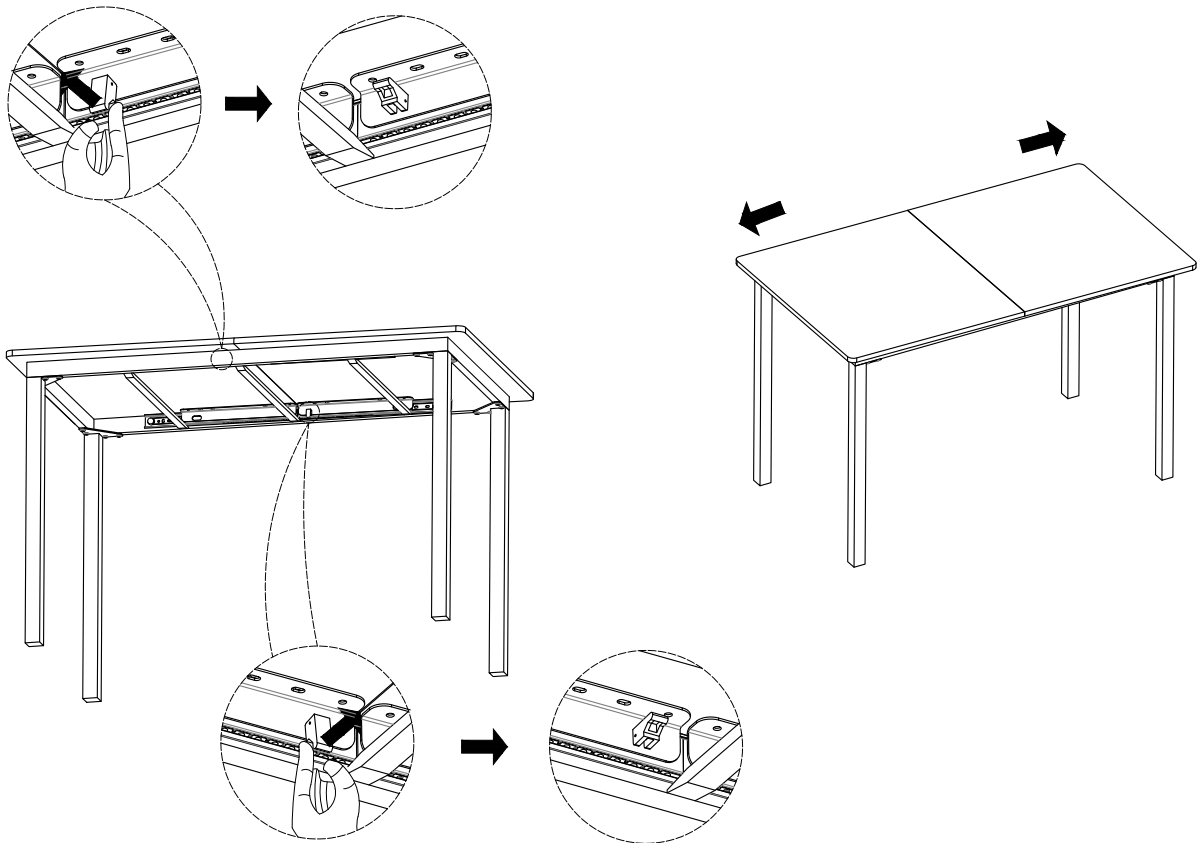
F



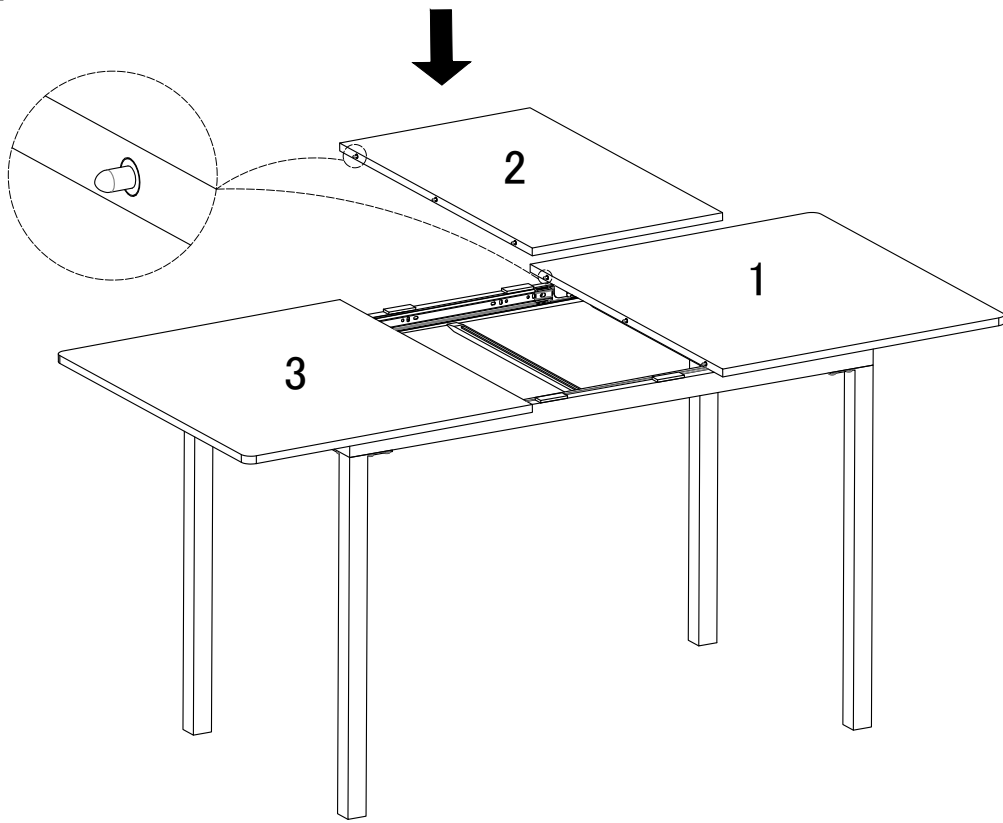
**11**



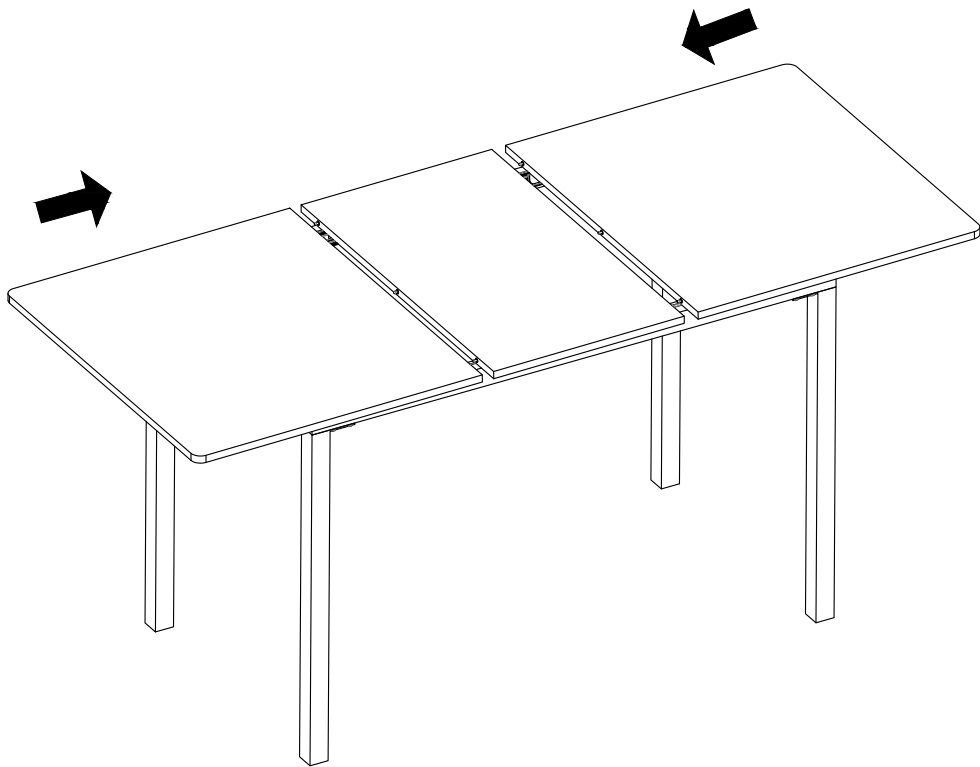
**12**



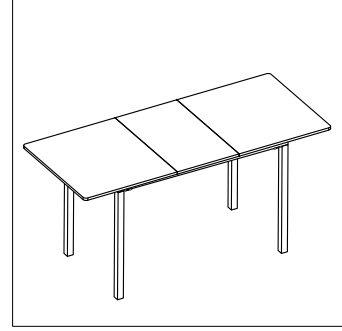
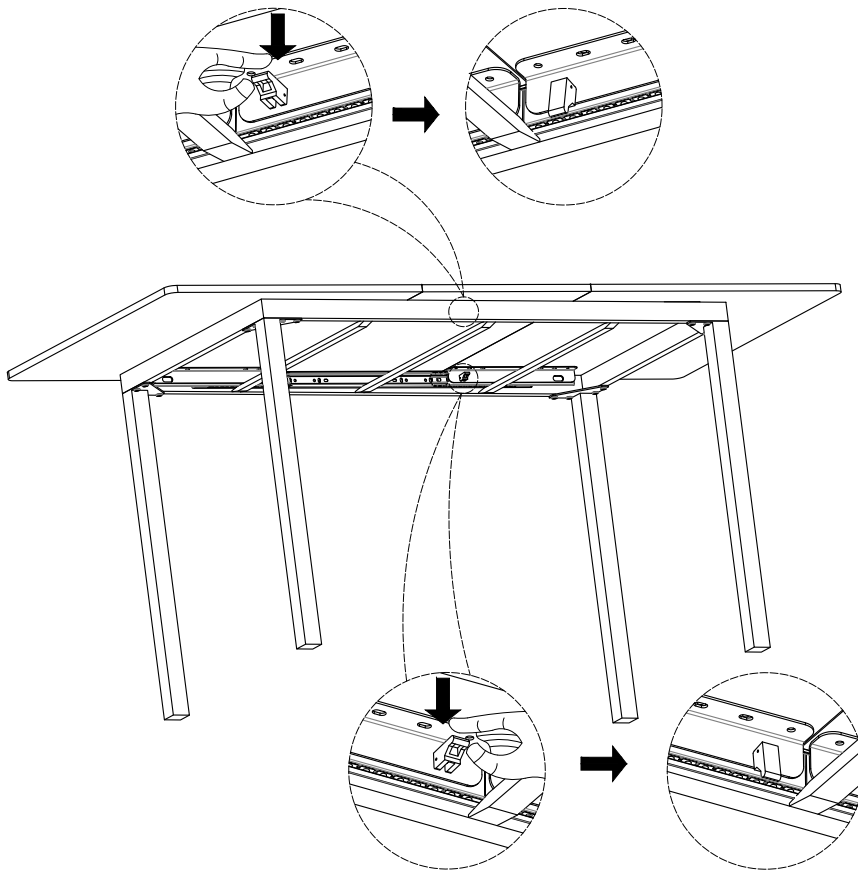
**13**



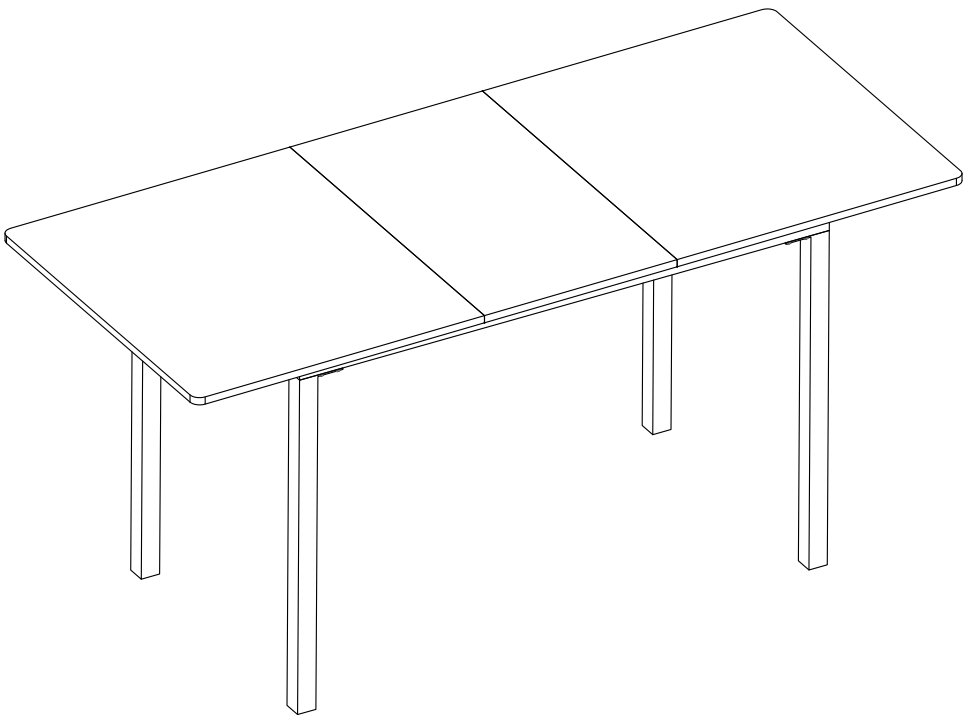
**14**



15

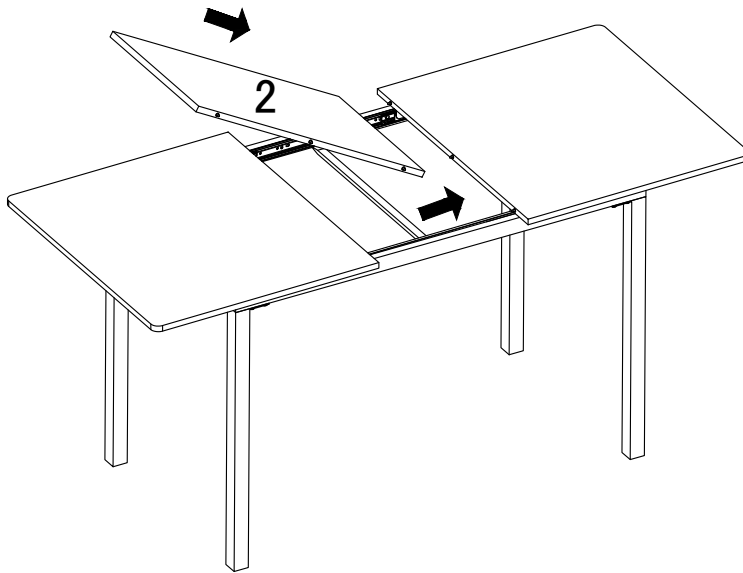


16



**17**

When not in use,  
it can be placed under the top



**18**

