
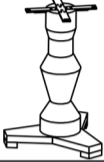



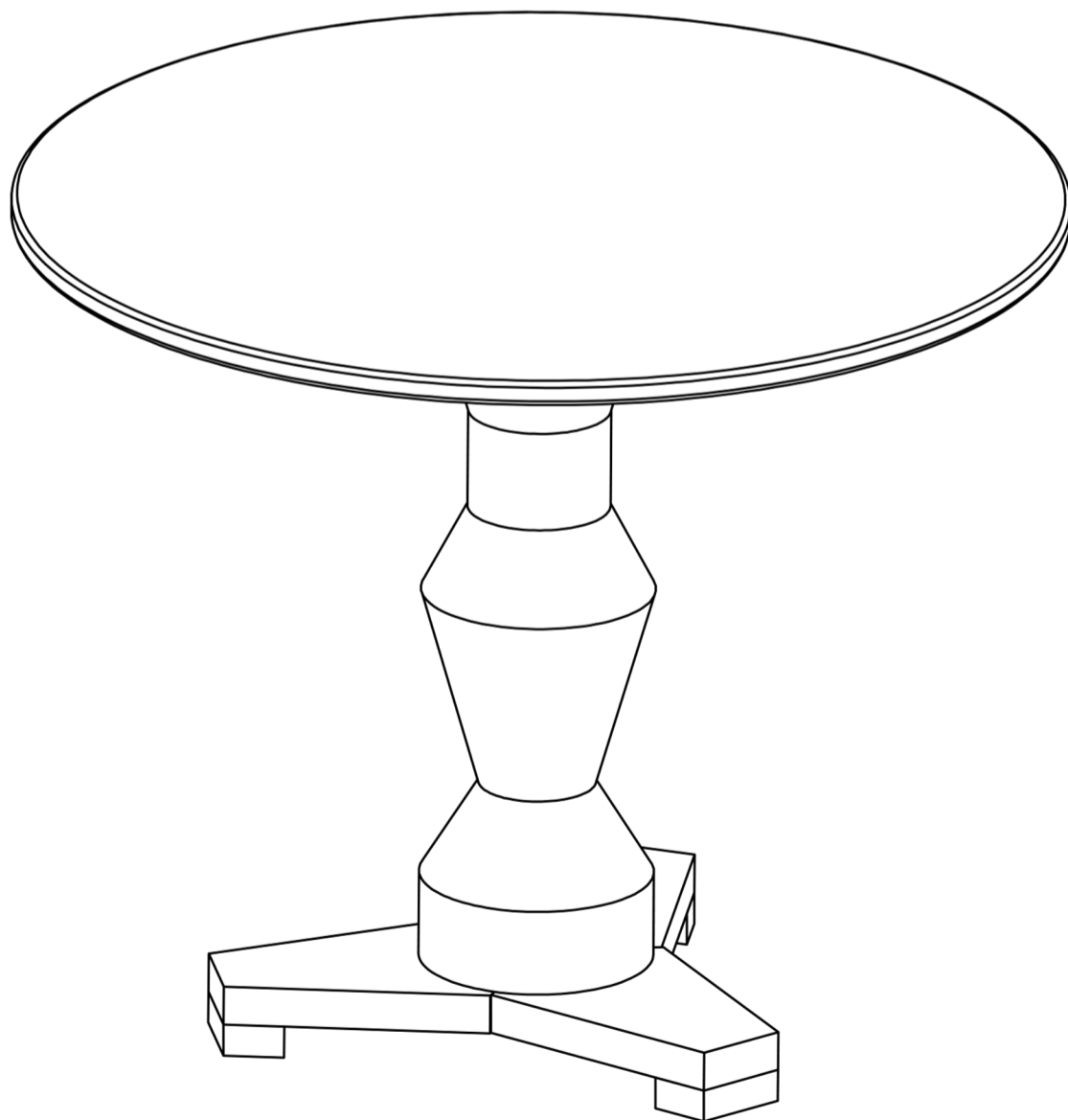


Assembly Instruction
 Product Description: Large End Table

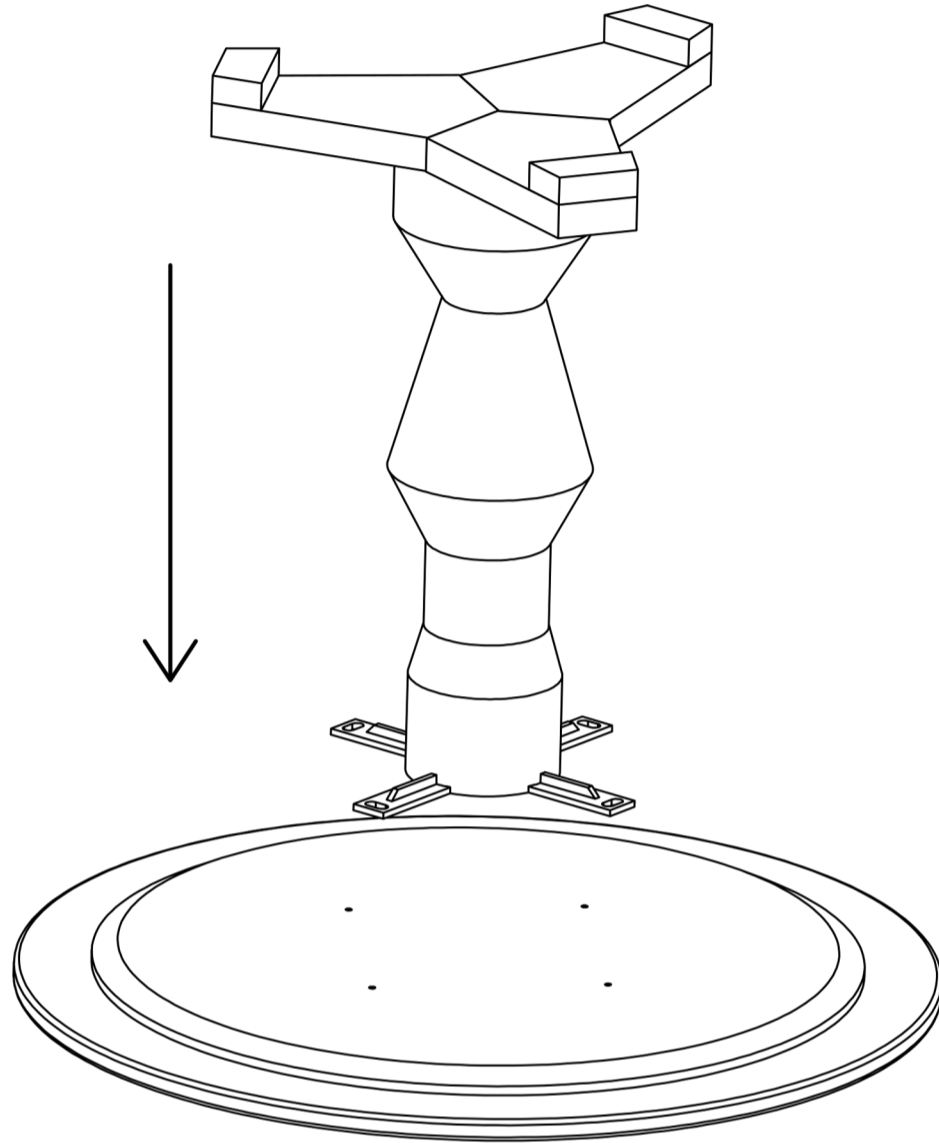
Hardware and Component List:

No.	Hardware/Component List	Quantity
1	 Table Top	01
2	 Base	01
3	 Allen Bolt M8X20	04
4	 Washer 10X25MM	04
5	 Allen Key 5MM	01

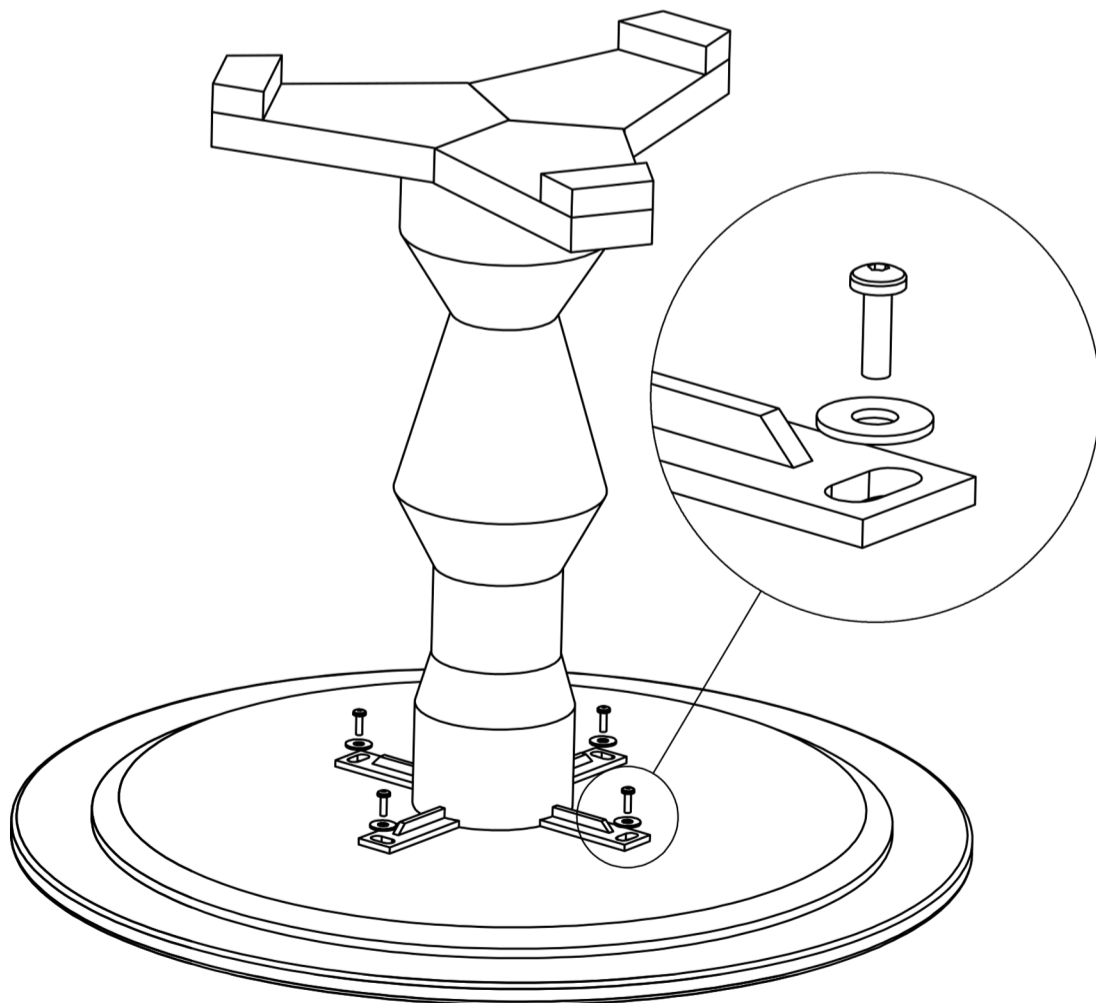


Assembly Instruction
Product Description: Large End Table

1



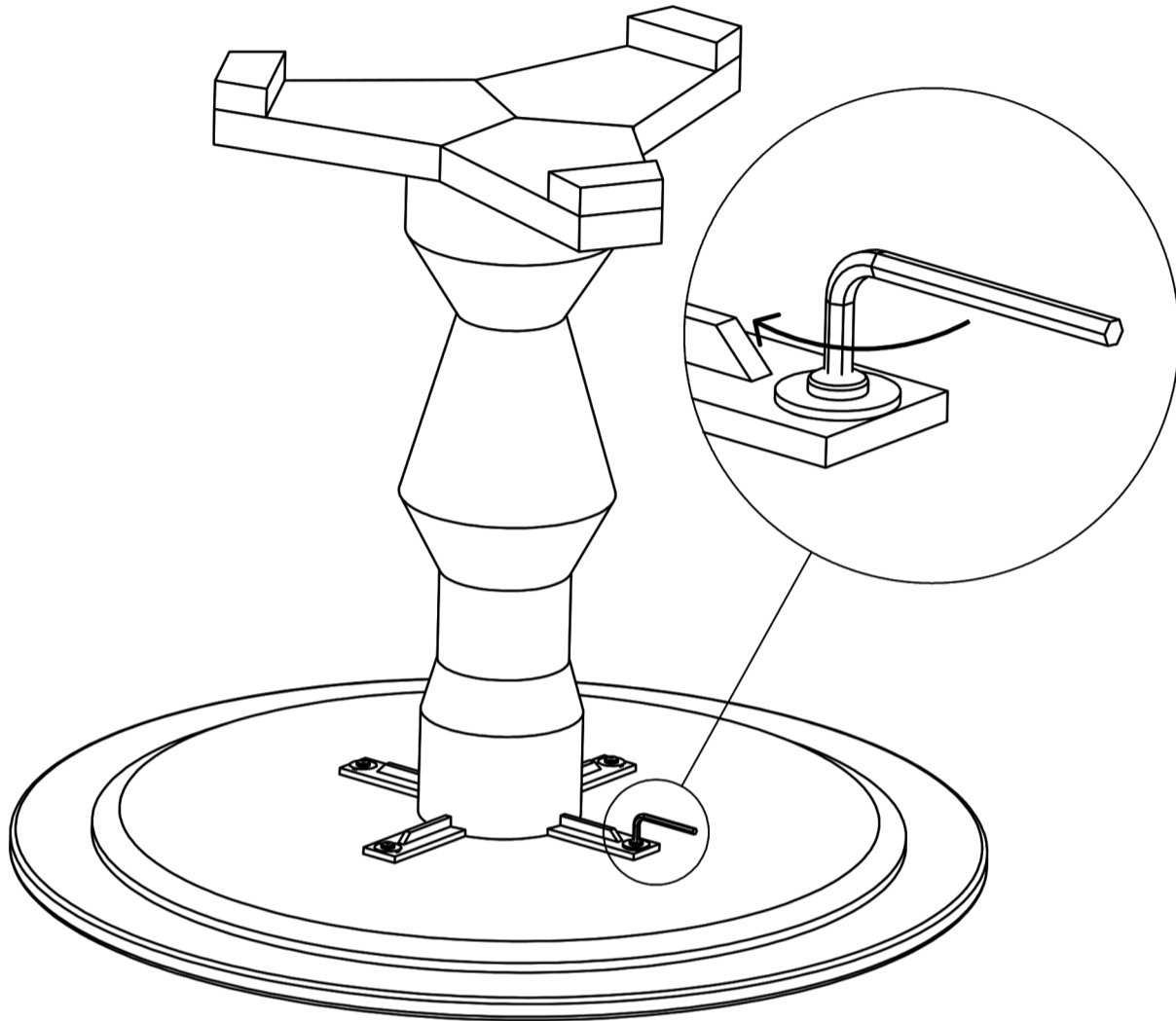
2



Assembly Instruction

Product Description: Large End Table

3



4

